



US00D381885S

United States Patent [19]

Lane

[11] Patent Number: **Des. 381,885**

[45] Date of Patent: ****Aug. 5, 1997**

[54] **AUTOMOBILE BREATH TESTER**

[76] Inventor: **Suzanne E. Lane**, 6272 Chasewood S. St., Apt. G, Jupiter, Fla. 33458

[**] Term: **14 Years**

[21] Appl. No.: **51,534**

[22] Filed: **Mar. 12, 1996**

[51] LOC (6) Cl. **10-04**

[52] U.S. Cl. **D10/81**

[58] **Field of Search** D10/46, 78, 81; D24/169, 216, 231, 232; 73/29.01, 29.03, 31.04; 128/719, 745; 180/272; 340/573, 576; 422/84, 85; 436/132, 164, 900

[56] **References Cited**

U.S. PATENT DOCUMENTS

D. 333,441 2/1993 Greene D10/81

D. 362,642 9/1995 Howse D10/81
D. 867,234 2/1996 Henney et al. D10/81

Primary Examiner—Antoine Duval Davis
Attorney, Agent, or Firm—Harold H. Dutton, Jr.; W. Charles L. Jamison; Diane F. Liebman

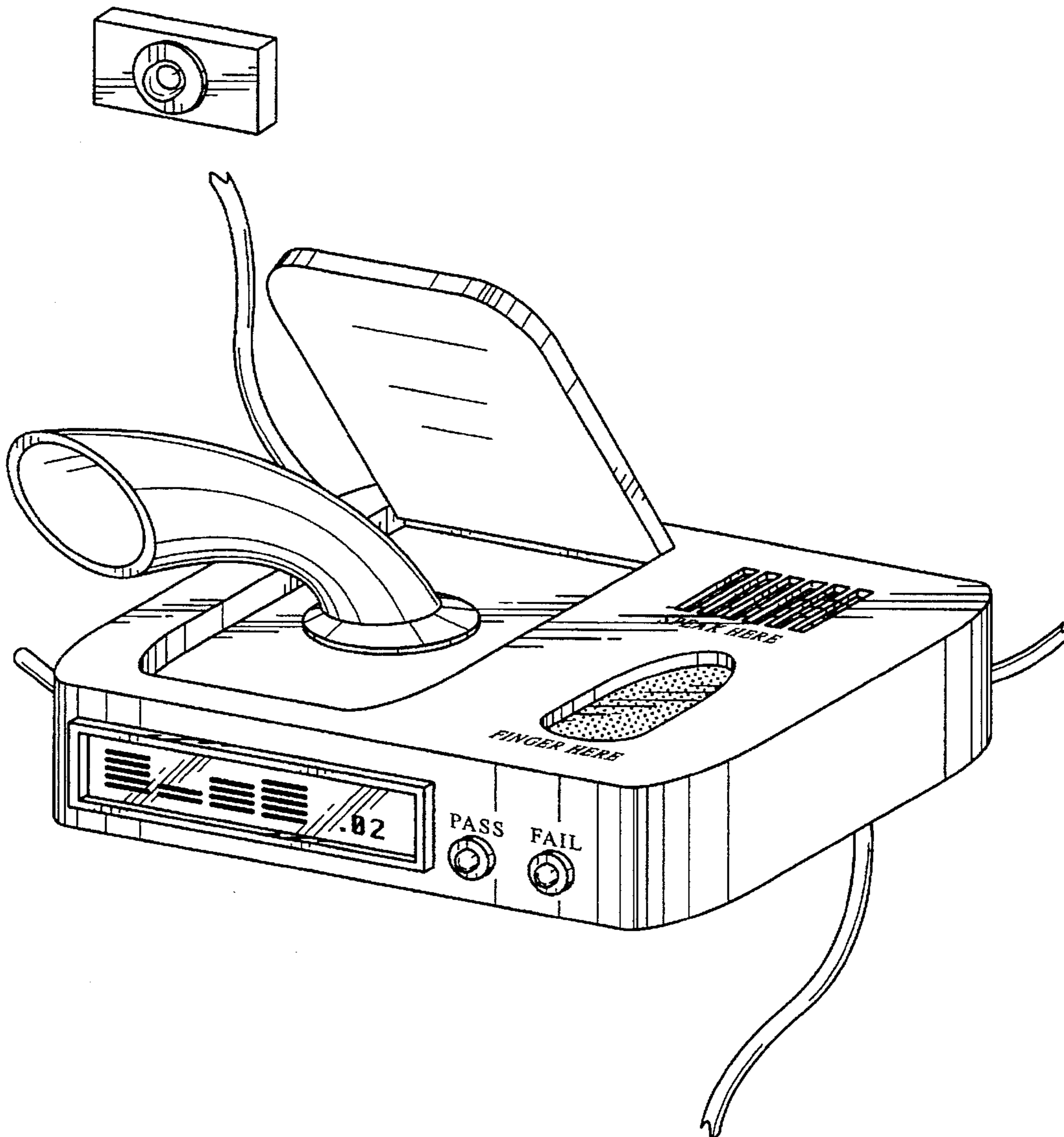
[57] **CLAIM**

The ornamental design for an automobile breath tester, as shown.

DESCRIPTION

FIG. 1 is a perspective view of an automobile breath tester showing my new design;
FIG. 2 is a front view thereof;
FIG. 3 is a rear view thereof;
FIG. 4 is a left side view thereof;
FIG. 5 is a right side view thereof;
FIG. 6 is a top view thereof; and,
FIG. 7 is a bottom view thereof.

1 Claim, 5 Drawing Sheets



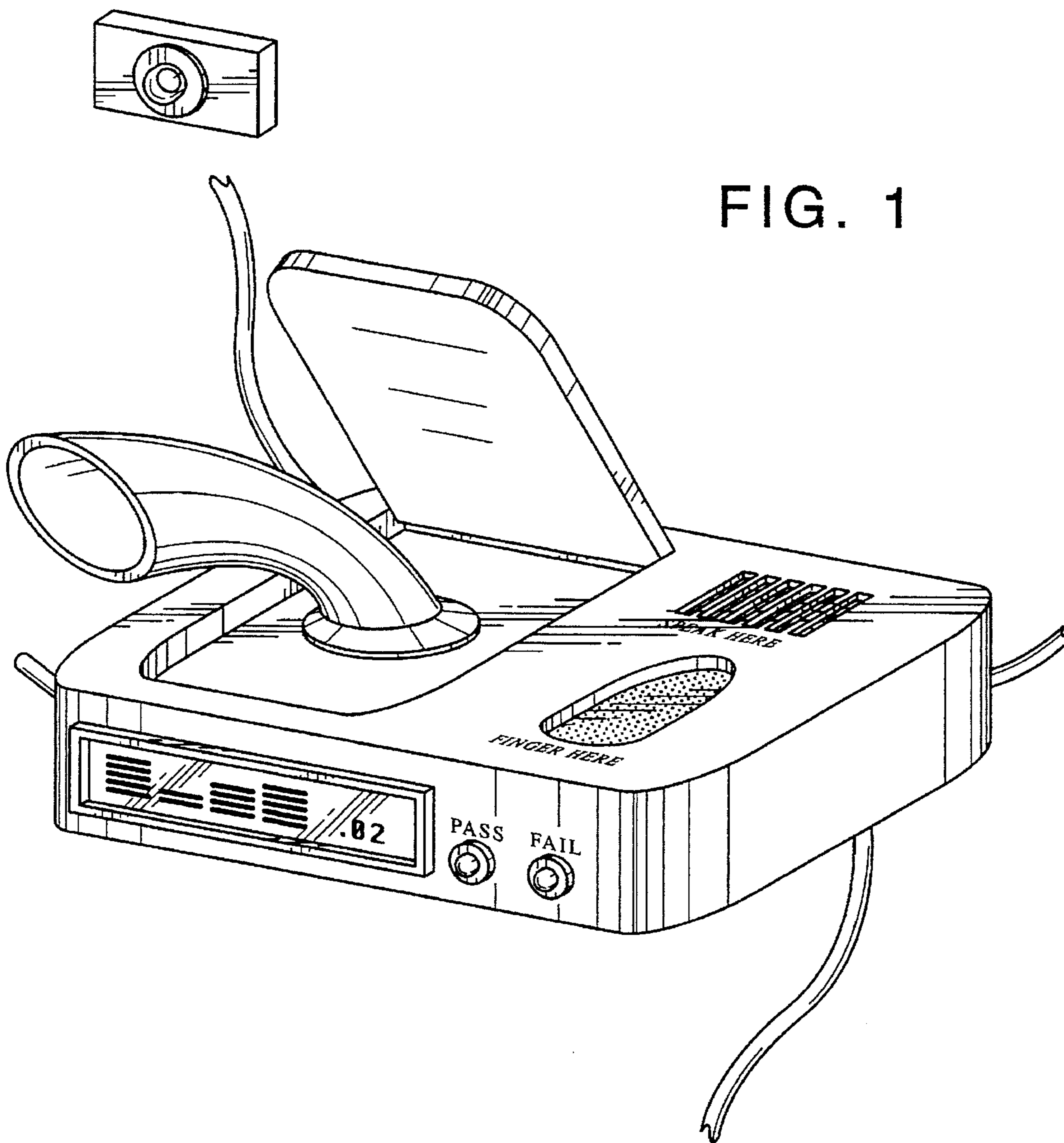


FIG. 1

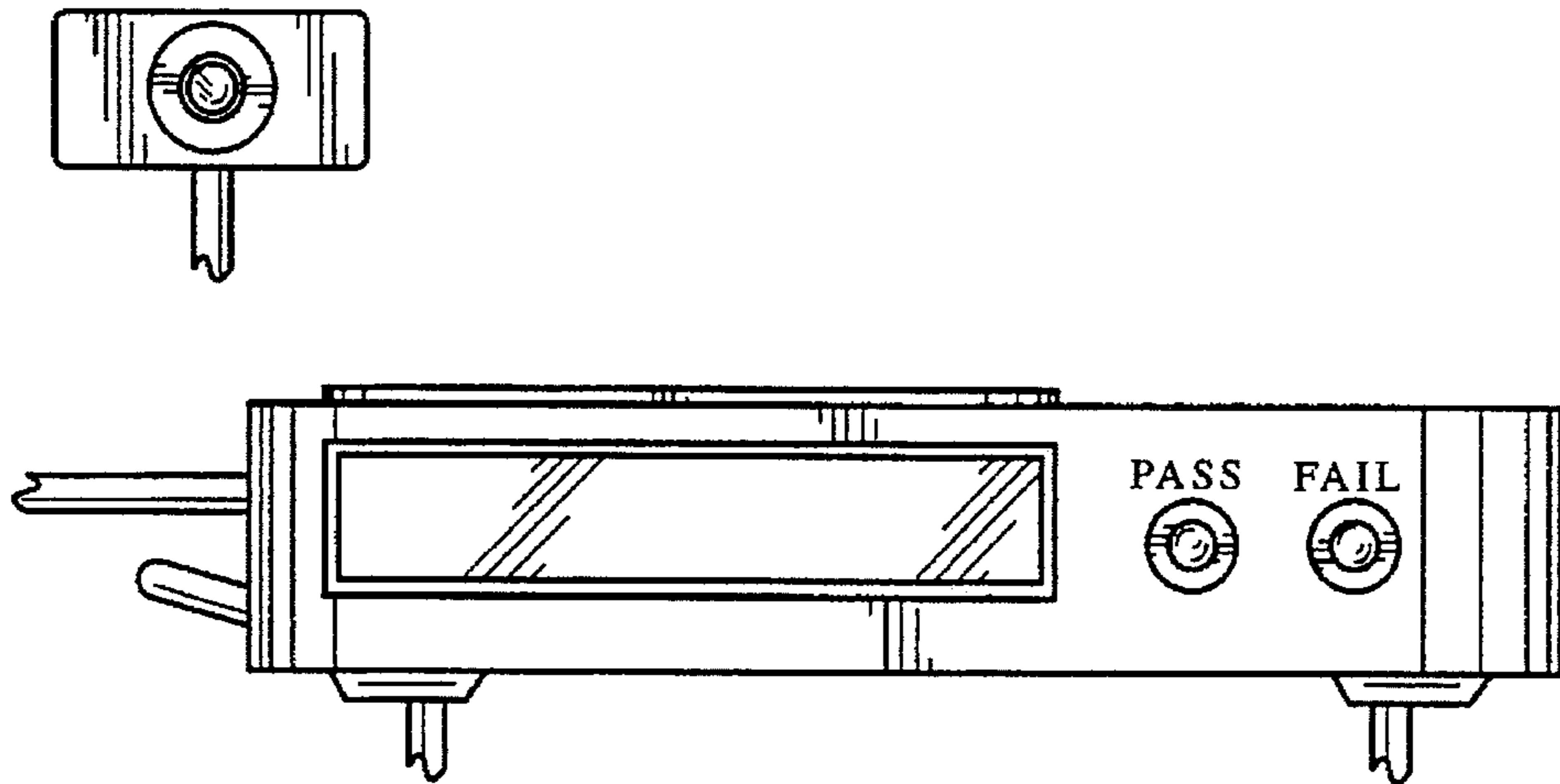


FIG. 2

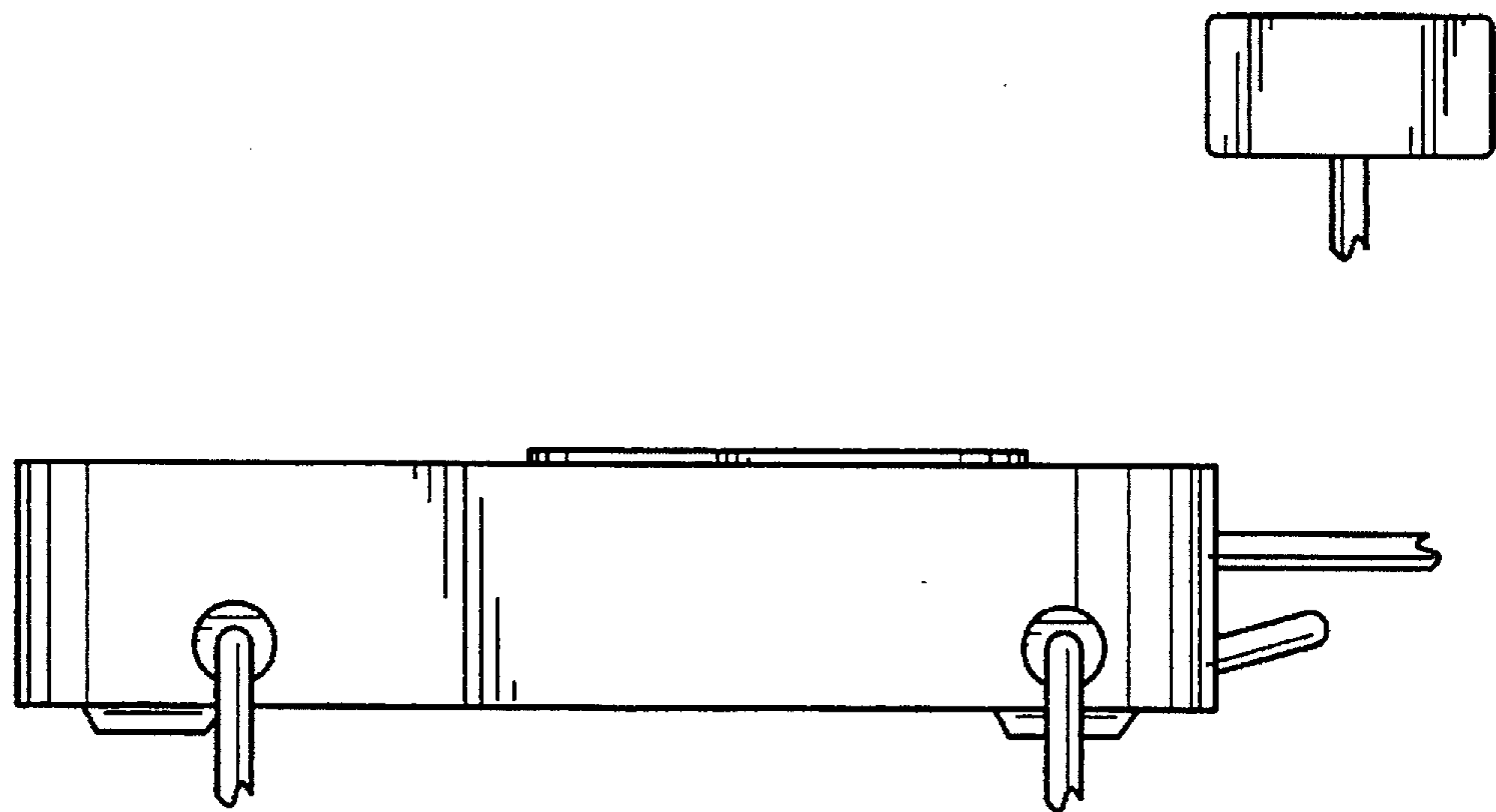


FIG. 3

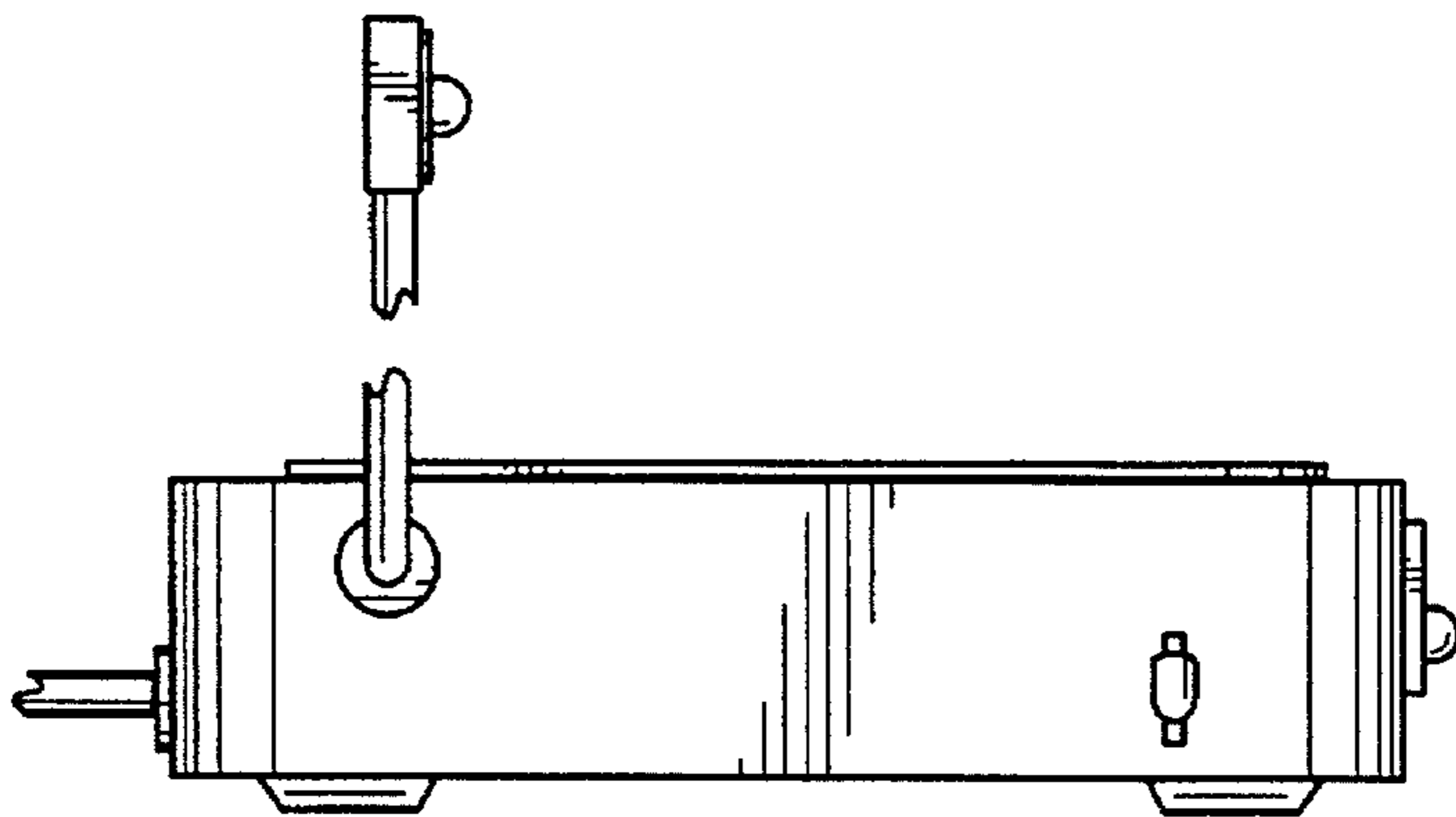


FIG. 4

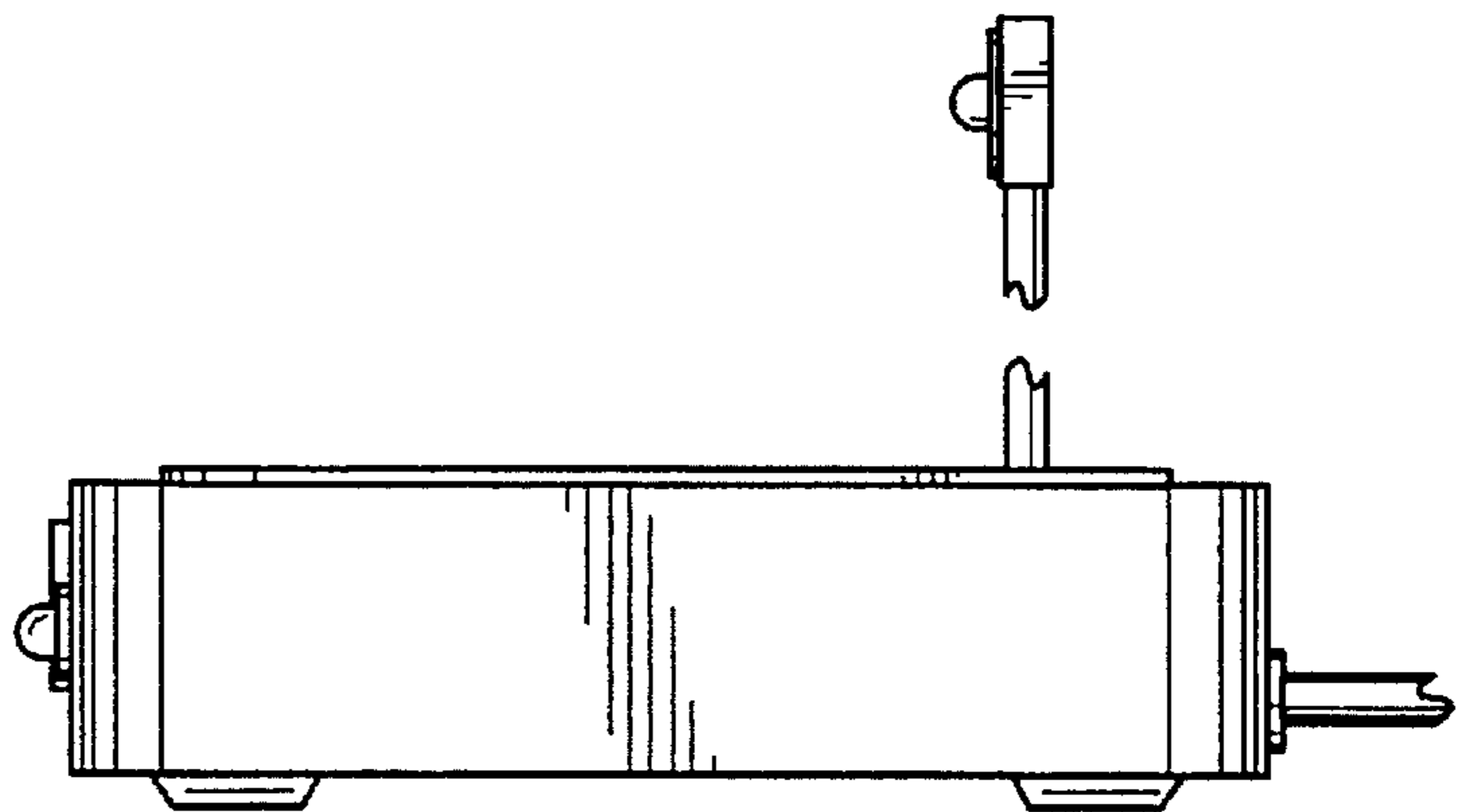


FIG. 5

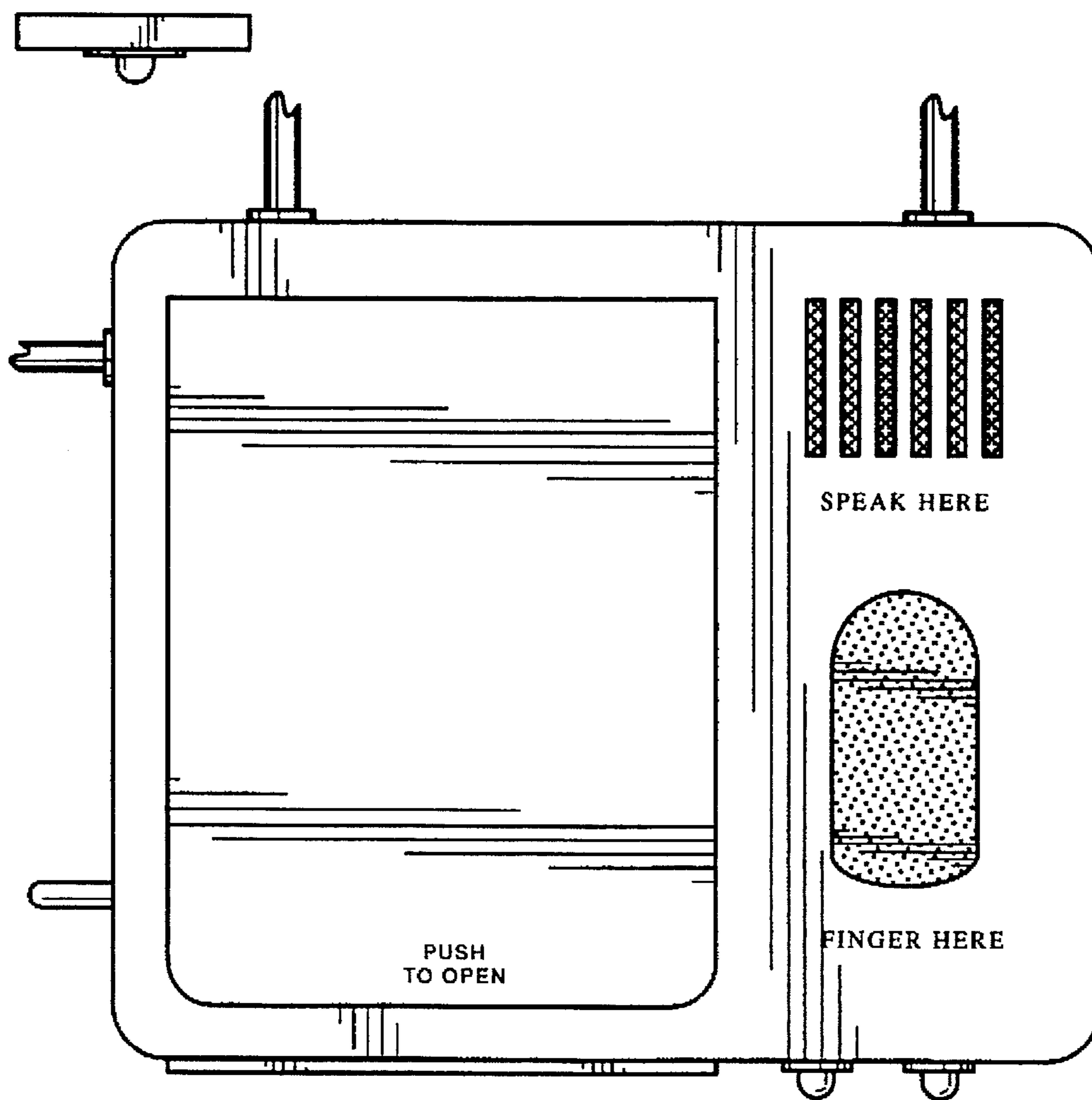


FIG. 6

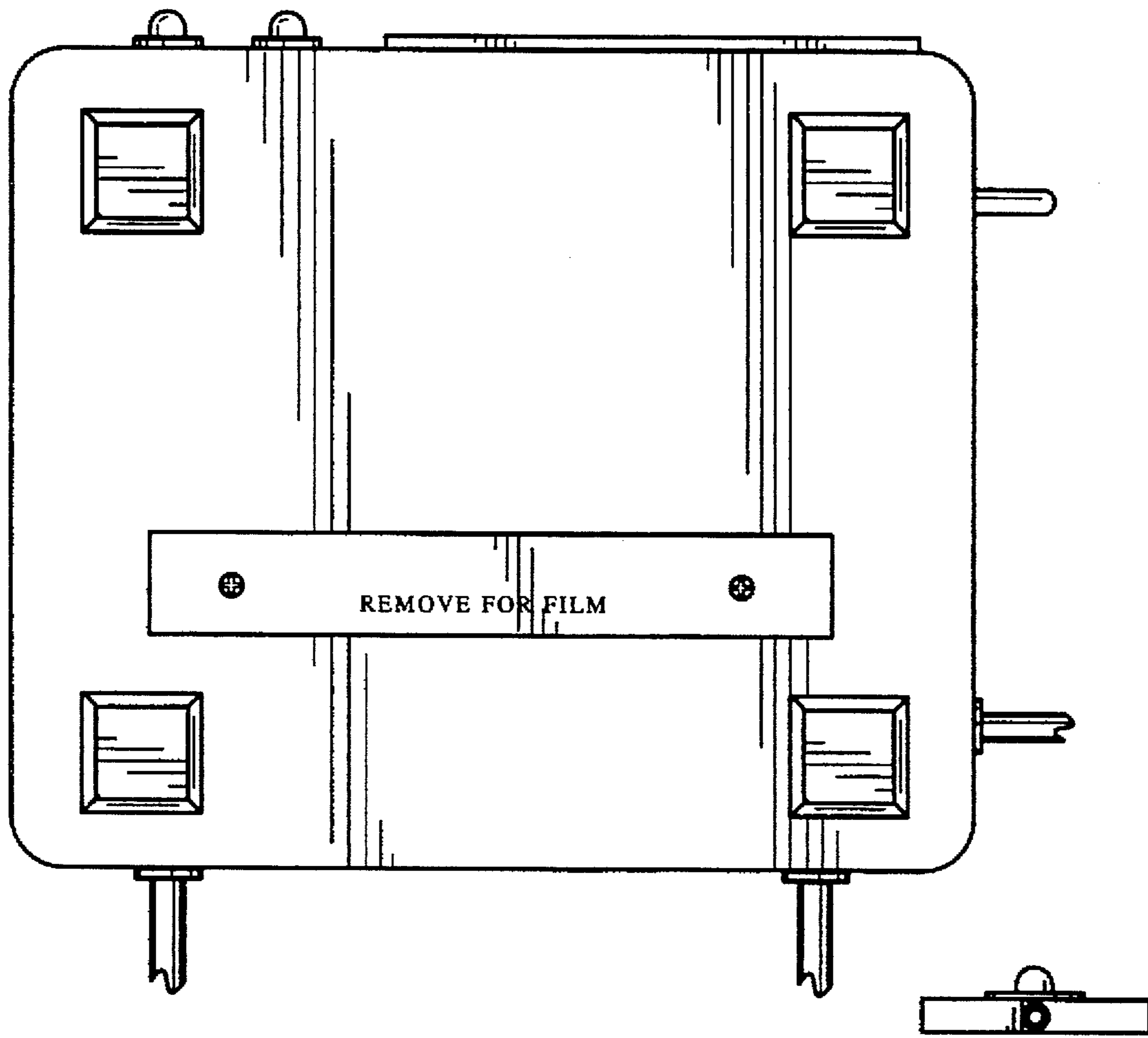


FIG. 7