



US00D381883S

United States Patent [19]
McDonald et al.

[11] **Patent Number: Des. 381,883**
[45] **Date of Patent: **Aug. 5, 1997**

[54] **SCISSORS**

[76] Inventors: **Paul R. McDonald**, 89 Morris Ave.,
Edison, N.J. 08837; **Gerald R. Pfund**,
131 Lakewood Ave., Ho-Ho-Kus, N.J.
07423

[**] Term: **14 Years**

[21] Appl. No.: **50,005**

[22] Filed: **Feb. 7, 1996**

[51] LOC (6) Cl. **08-03**

[52] U.S. Cl. **D8/57**

[58] Field of Search D8/57, 98; 7/125,
7/132, 133-135, 151; 30/230, 232-233,
252-255

[56] **References Cited**

U.S. PATENT DOCUMENTS

D. 144,279	4/1946	Aisner	D8/57
D. 195,083	4/1963	Stehl	D8/57
4,250,620	2/1981	Nishikawa	30/254
4,709,480	12/1987	Takigawa et al.	30/254
4,763,415	8/1988	Huang	30/254

OTHER PUBLICATIONS

Bloomington Catalog, Sep. 1981 p. 41 (Scissors, Item J).
The New York Times, Apr. 7, 1983 (Acme United's Kleen-cut Scissors).

Primary Examiner—Ted Shooman
Assistant Examiner—Adir Aronovich
Attorney, Agent, or Firm—Weingram & Associates, P.C.

[57] **CLAIM**

The ornamental design for scissors, as shown and described.

DESCRIPTION

FIG. 1 is a top perspective view of our new design for a scissors in accordance with the present invention;
FIG. 2 is a top plan view;
FIG. 3 is a side elevational view;
FIG. 4 is another side elevational view opposite to that shown in FIG. 3;
FIG. 5 is an end elevational view;
FIG. 6 is another end elevational view opposite to that shown in FIG. 5; and,
FIG. 7 is a bottom plan view.

1 Claim, 2 Drawing Sheets

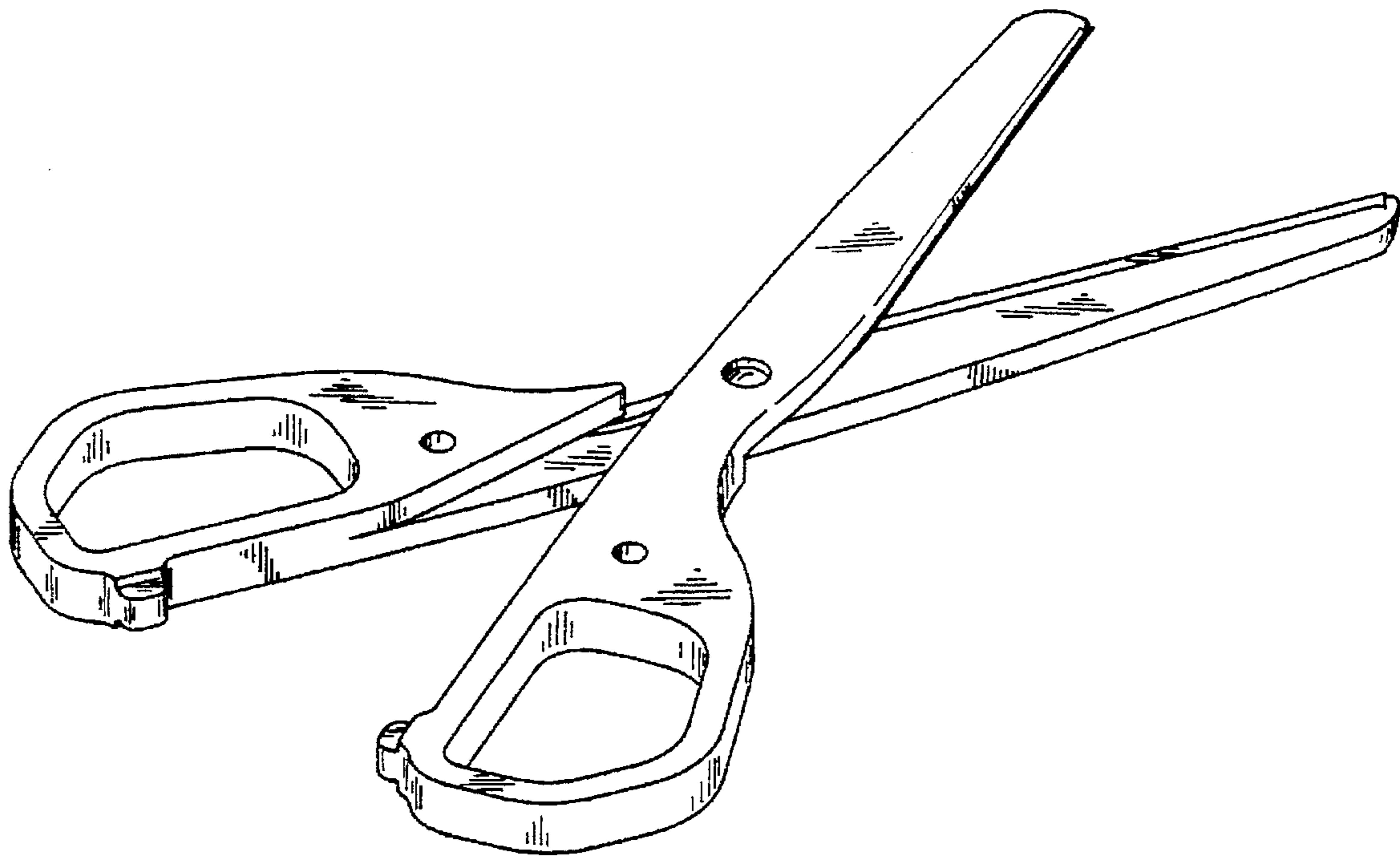


FIG. 1

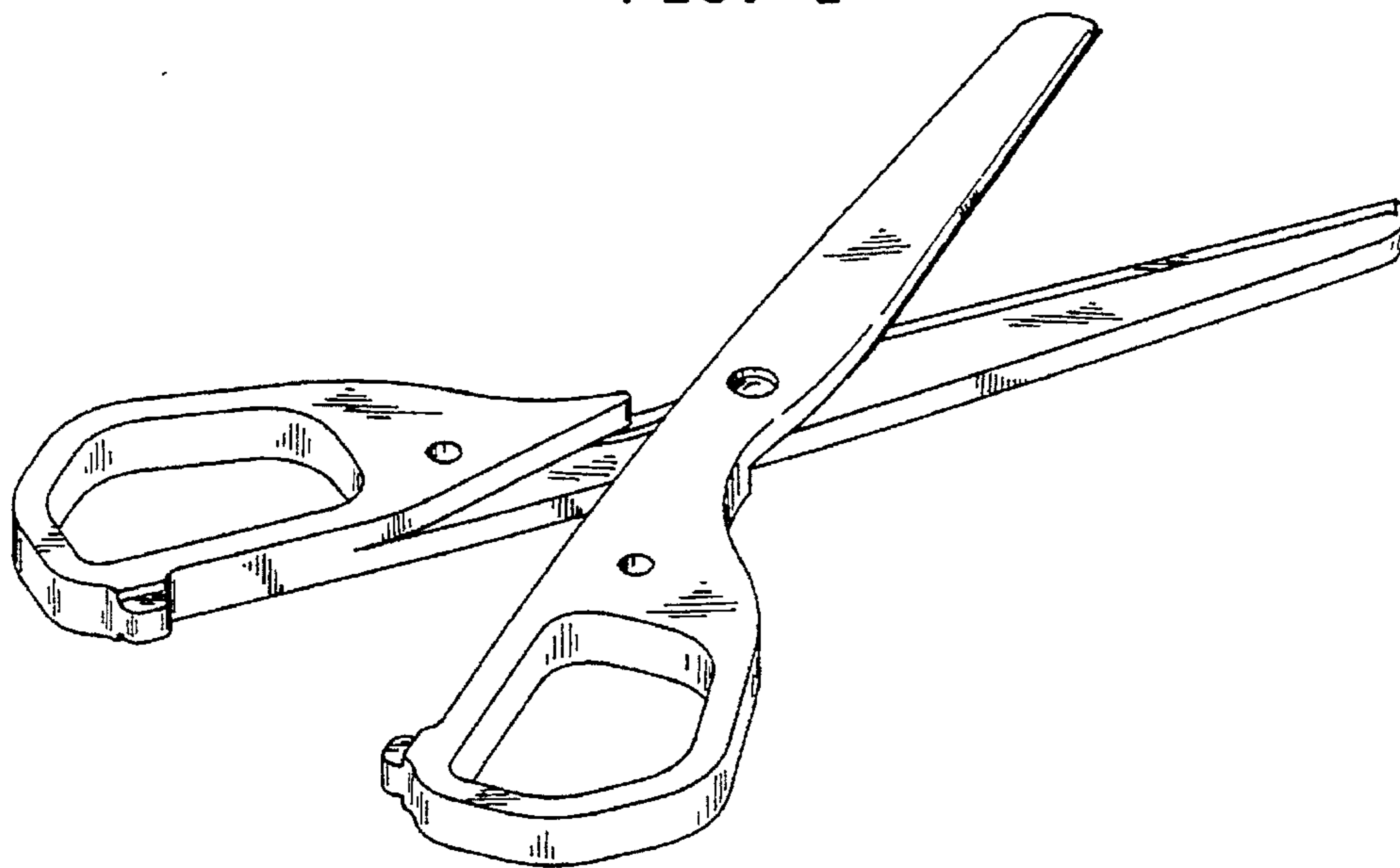


FIG. 2

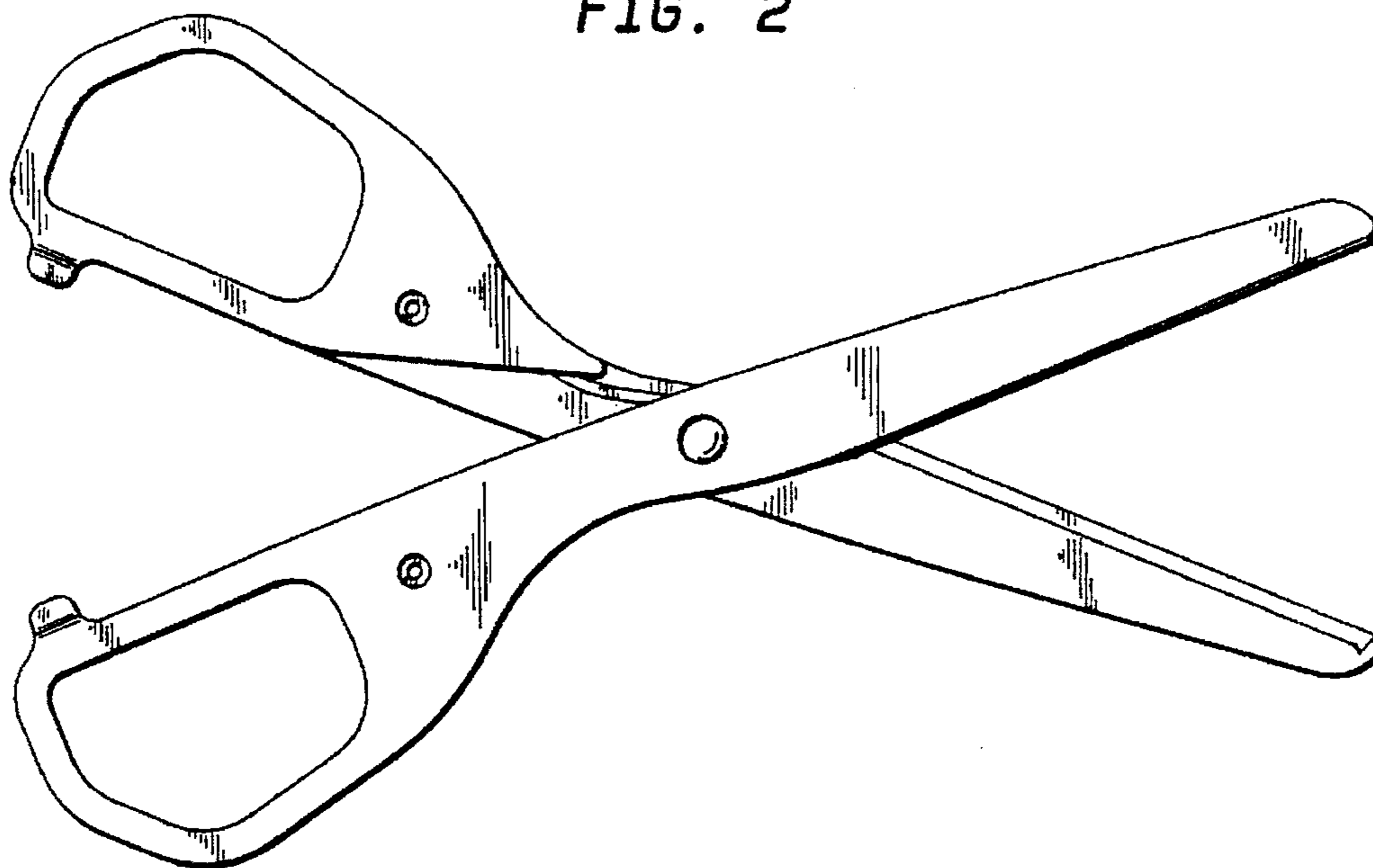


FIG. 3

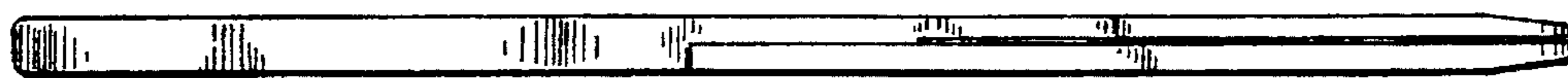


FIG. 4



FIG. 5

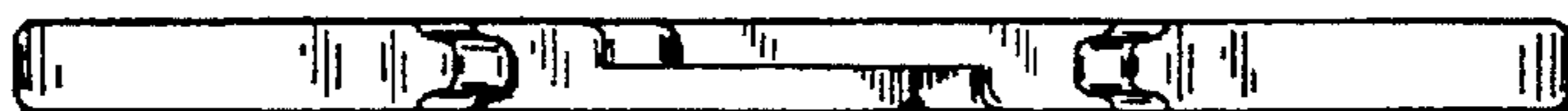


FIG. 6



FIG. 7

