



US00D381878S

United States Patent [19] Smith

[11] Patent Number: **Des. 381,878**

[45] Date of Patent: ****Aug. 5, 1997**

[54] **WRENCH EXTENSION**

[76] Inventor: **Blair Smith**, 1438 Gitzel St., Yellow Knife, NT, Canada, X1A 2C9

[**] Term: **14 Years**

[21] Appl. No.: **54,922**

[22] Filed: **May 24, 1996**

[51] LOC (6) Cl. **08-05**

[52] U.S. Cl. **D8/25**

[58] Field of Search D8/21-28; 81/57.3,
81/57.14, 60-63.2, 177.1

[56] **References Cited**

U.S. PATENT DOCUMENTS

D. 313,731	1/1991	Crawford	D8/25
4,374,479	2/1983	Minotti	81/57.3
4,928,558	5/1990	Makhloof	81/57.3

Primary Examiner—Terry A. Wallace

Attorney, Agent, or Firm—Harold H. Dutton, Jr.; Diane F. Liebman

[57] **CLAIM**

The ornamental design for a wrench extension, as shown.

DESCRIPTION

FIG. 1 is a perspective view of a wrench extension showing my new design;

FIG. 2 is a top view thereof;

FIG. 3 is a bottom view thereof;

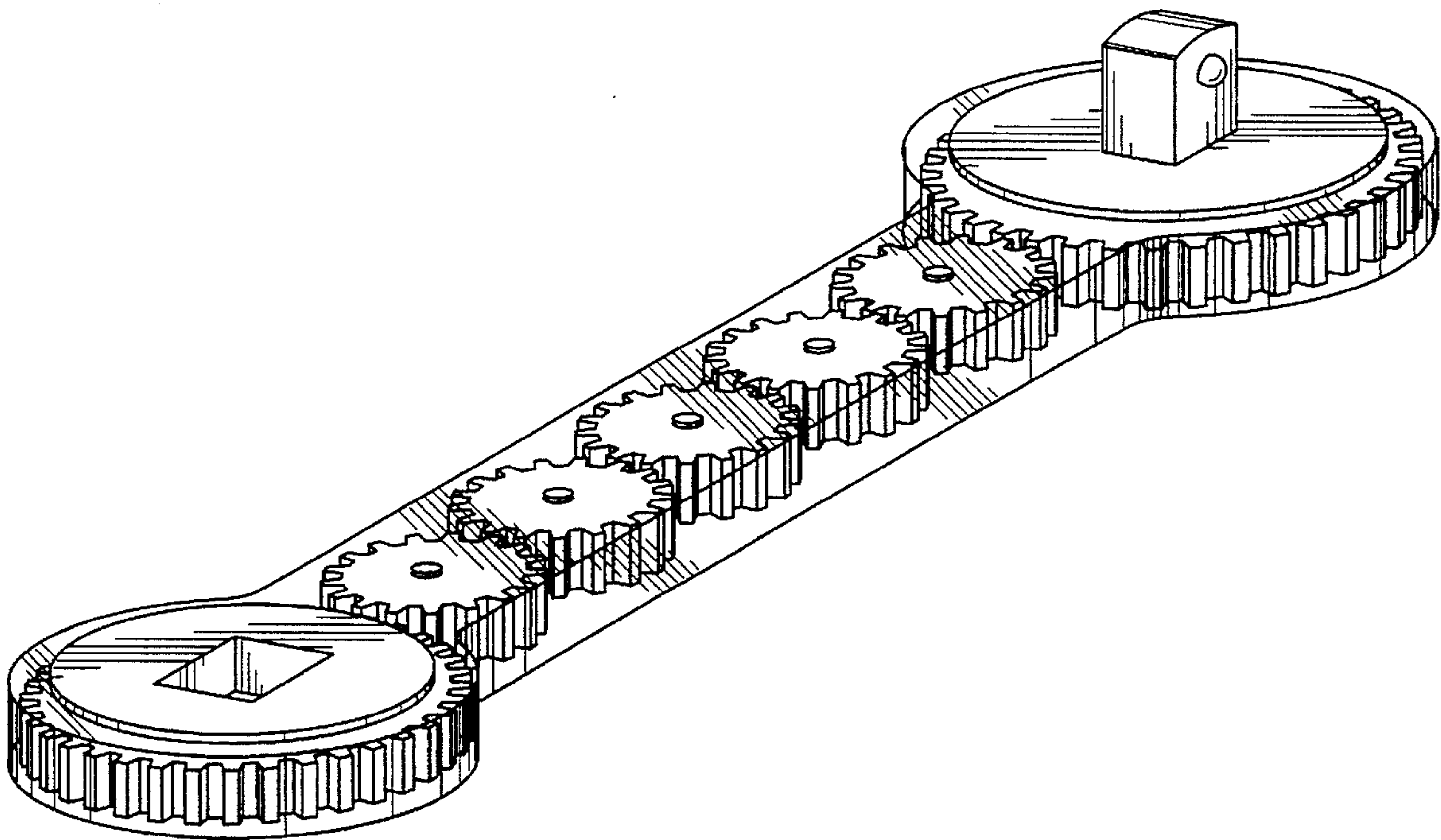
FIG. 4 is a left side view thereof;

FIG. 5 is a right side view thereof;

FIG. 6 is a front view thereof; and,

FIG. 7 is a rear view thereof.

1 Claim, 4 Drawing Sheets



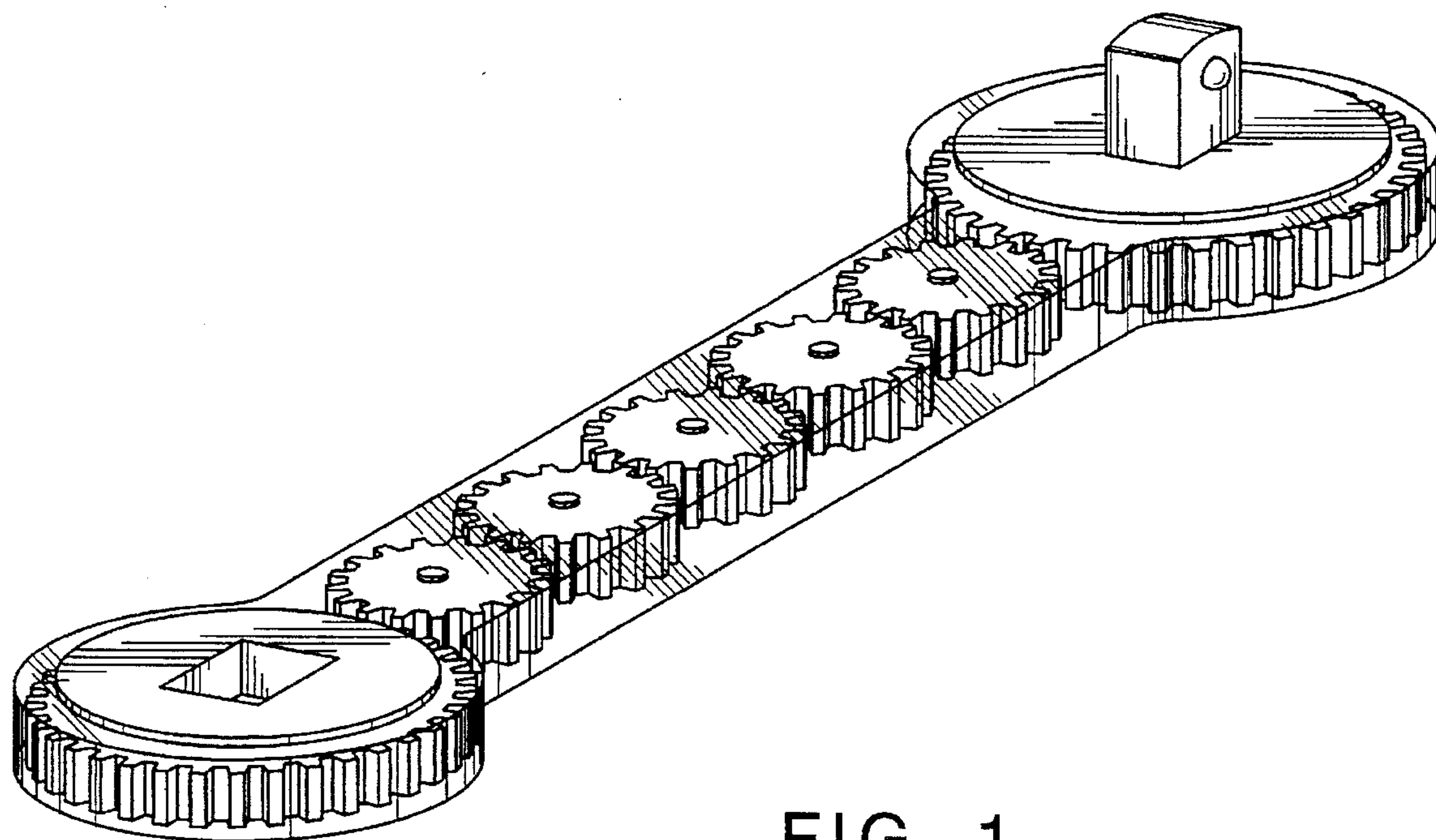


FIG. 1

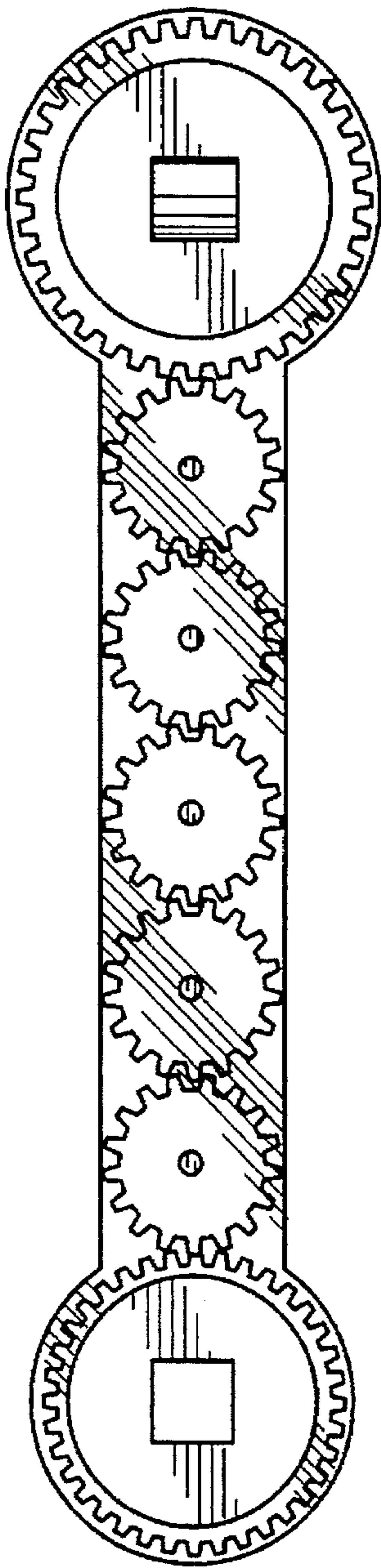
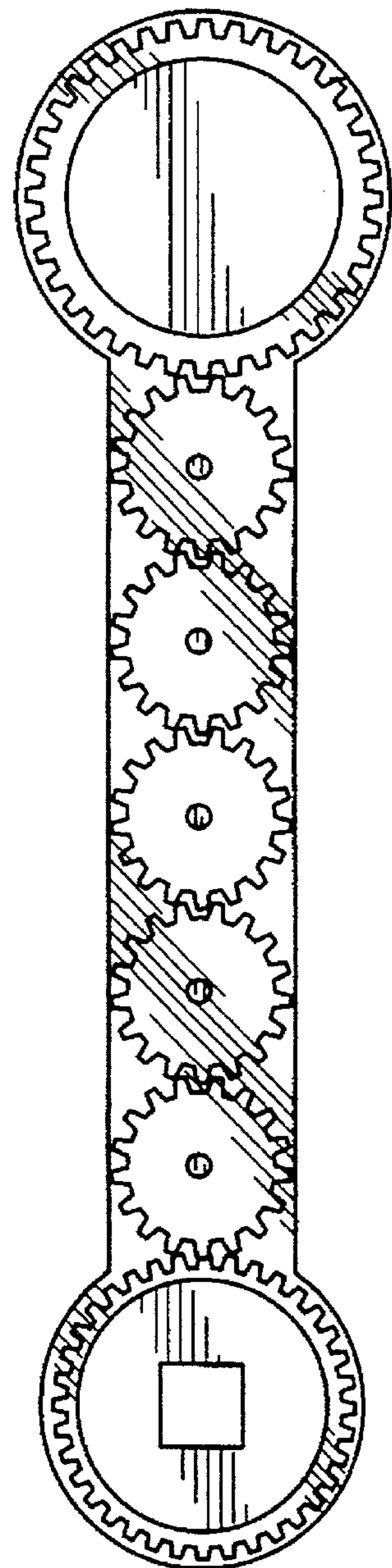


FIG. 2

FIG. 3



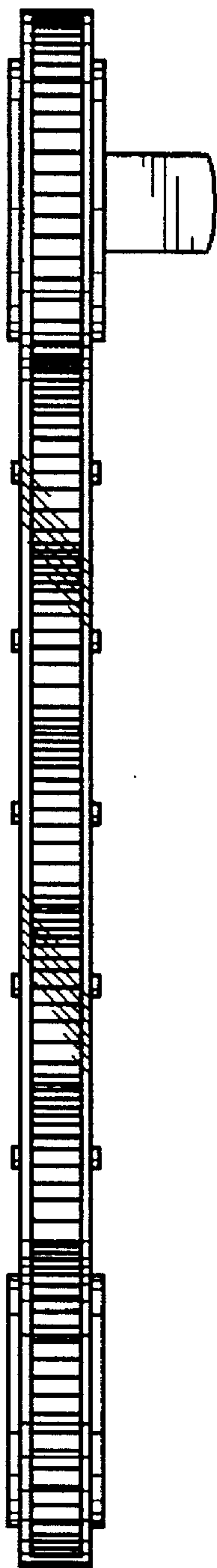


FIG. 4

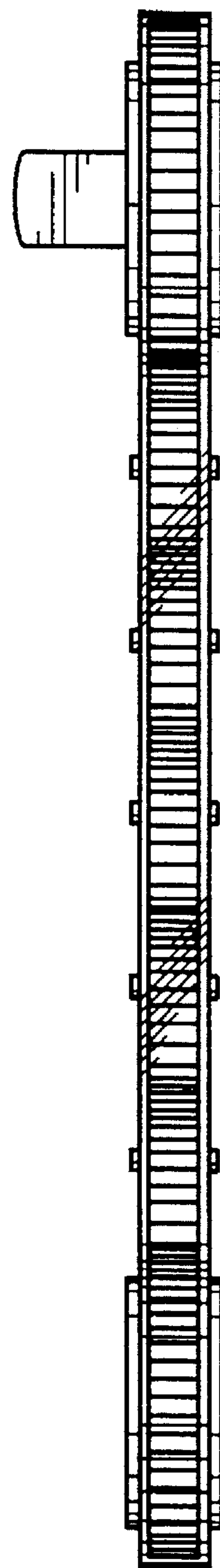


FIG. 5

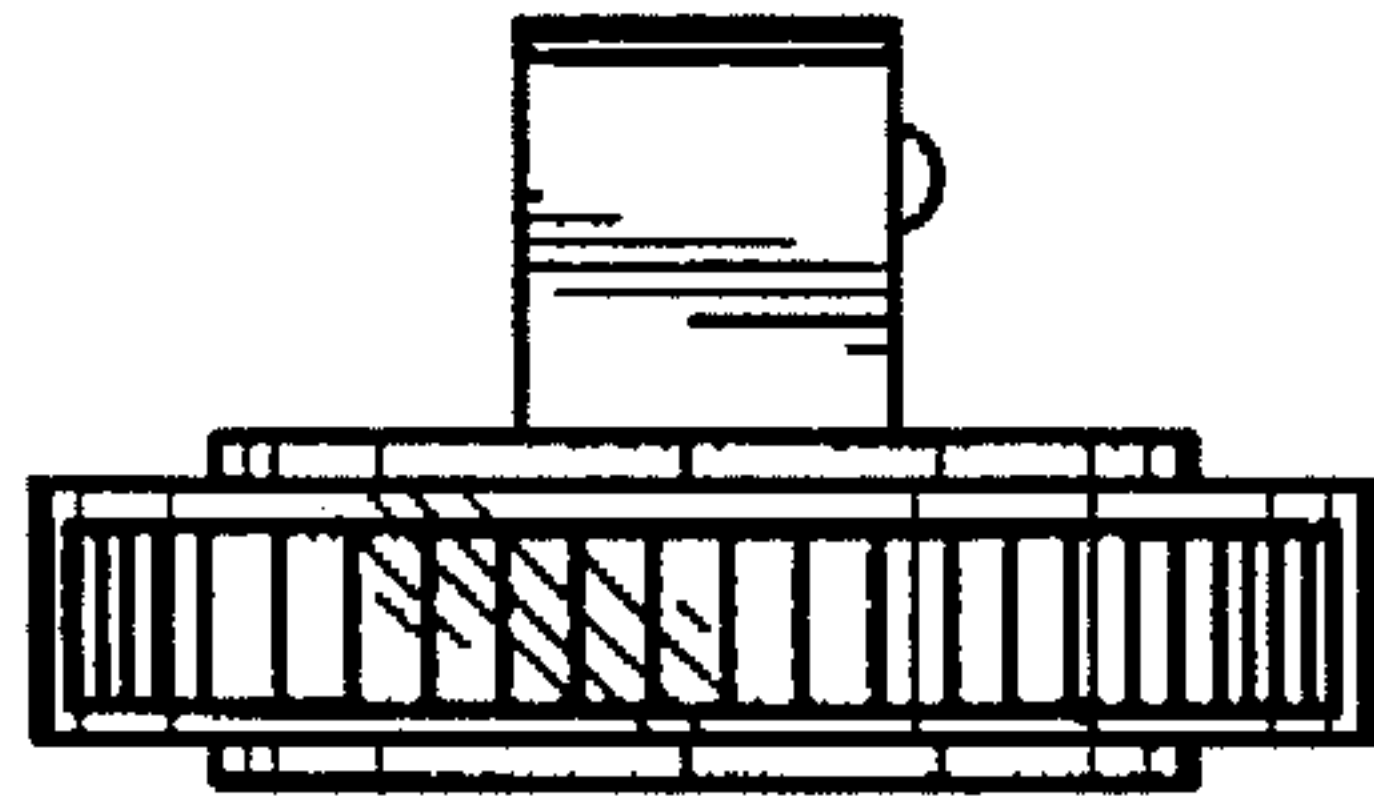


FIG. 6

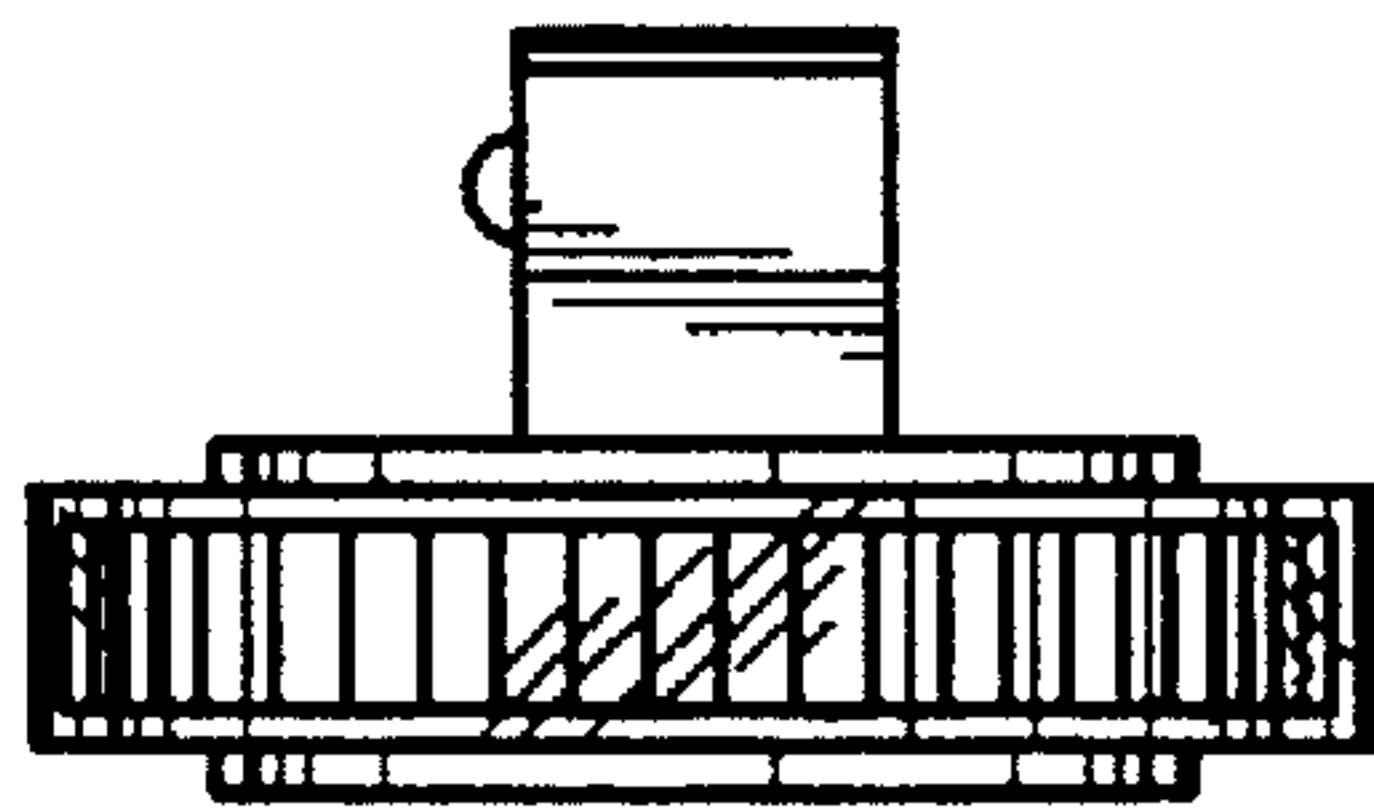


FIG. 7