



US00D381870S

United States Patent [19] Wedi

[11] Patent Number: **Des. 381,870**

[45] Date of Patent: ****Aug. 5, 1997**

[54] **COOLABLE BOX**

D. 352,420 11/1994 Costello D7/605
D. 368,206 3/1996 Wedi D7/605

[75] Inventor: **Heiner Wedi**, Emsdetten, Germany

[73] Assignee: **WAECO-Wahning & Co. GmbH**,
Emsdetten, Germany

Primary Examiner—Terry A. Wallace
Attorney, Agent, or Firm—Tarolli, Sundheim, Covell
Tummino & Szabo

[**] Term: **14 Years**

[57] **CLAIM**

[21] Appl. No.: **19,626**

The ornamental design for coolable box, as shown and described.

[22] Filed: **Mar. 7, 1994**

DESCRIPTION

[30] **Foreign Application Priority Data**

Sep. 7, 1993 [DE] Germany M 93 06 950.2

FIG. 1 is a top, front, left side perspective view of a collable box showing my new design;
FIG. 2 is a perspective view thereof in an open position;
FIG. 3 is a front elevation view thereof;
FIG. 4 is a rear elevation view thereof;
FIG. 5 is a right side elevation view thereof;
FIG. 6 is a left side elevation view thereof;
FIG. 7 is a bottom plan view thereof; and,
FIG. 8 is a top plan view thereof.

[51] **LOC (6) Cl.** **07-01**

[52] **U.S. Cl.** **D7/605**

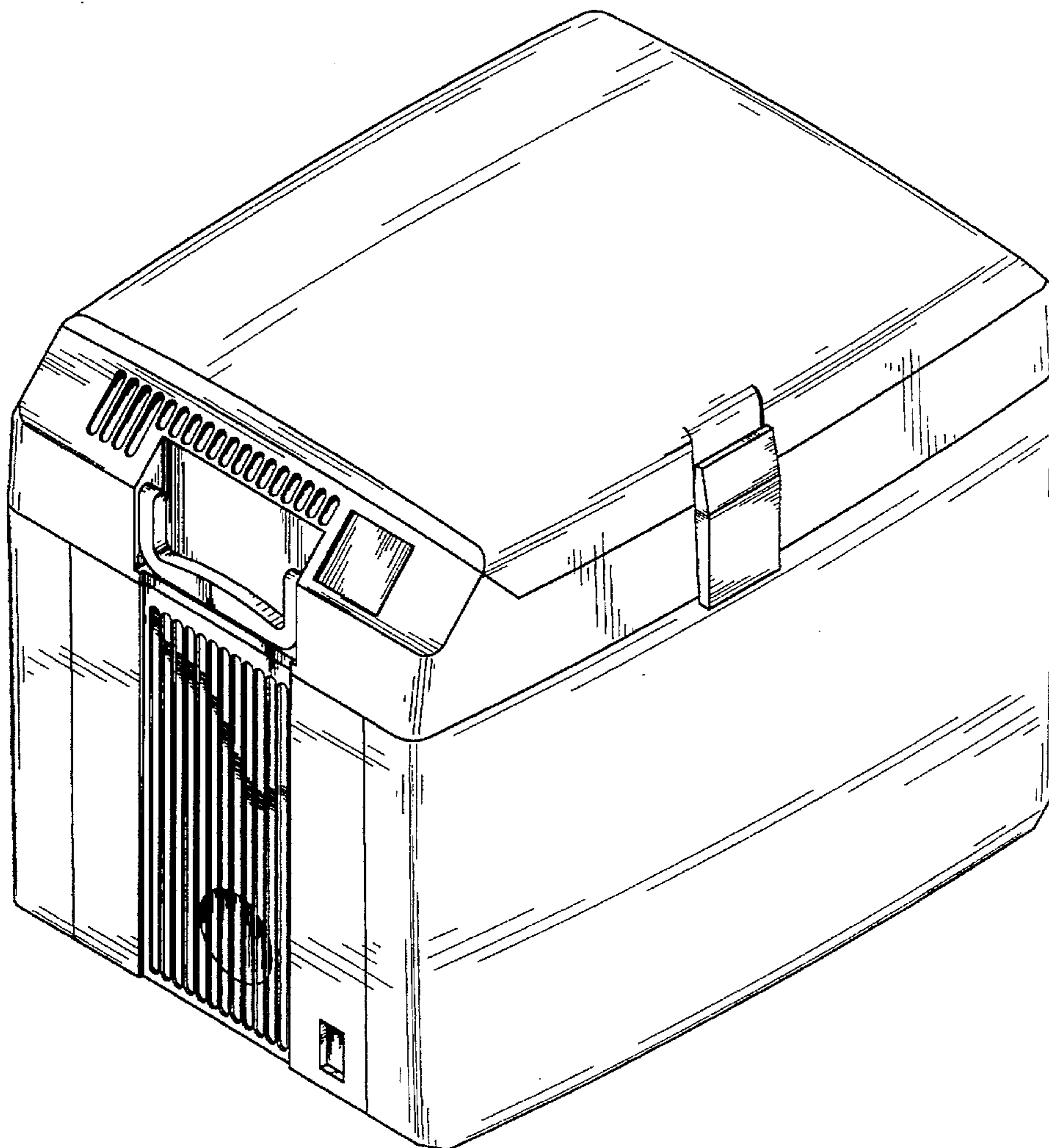
[58] **Field of Search** D7/605-608; 62/457.1,
62/457.7, 342, 371, 430, 252; D15/79-81,
83, 89

[56] **References Cited**

U.S. PATENT DOCUMENTS

D. 351,318 10/1994 Wedi D7/605

1 Claim, 5 Drawing Sheets



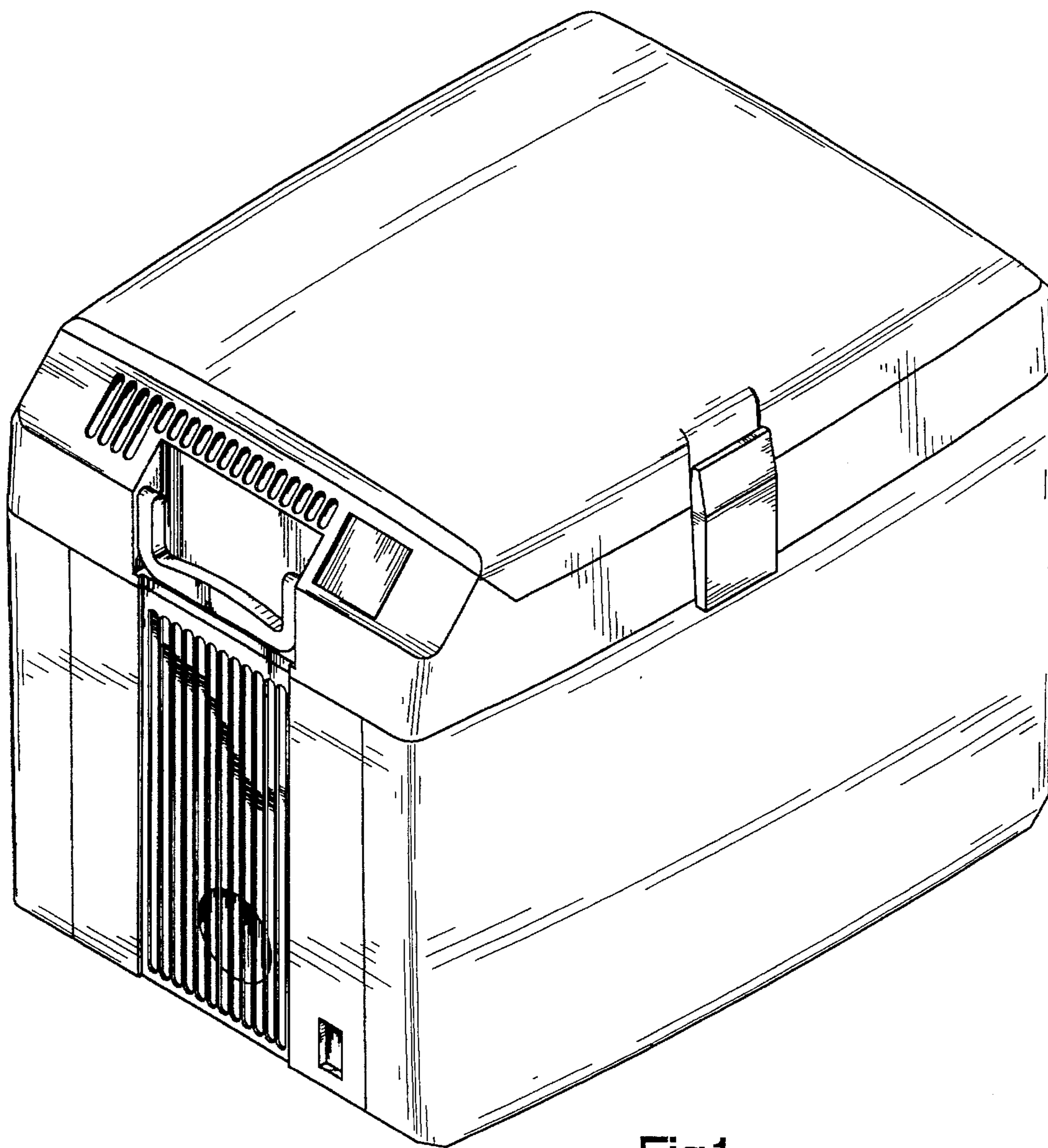


Fig.1

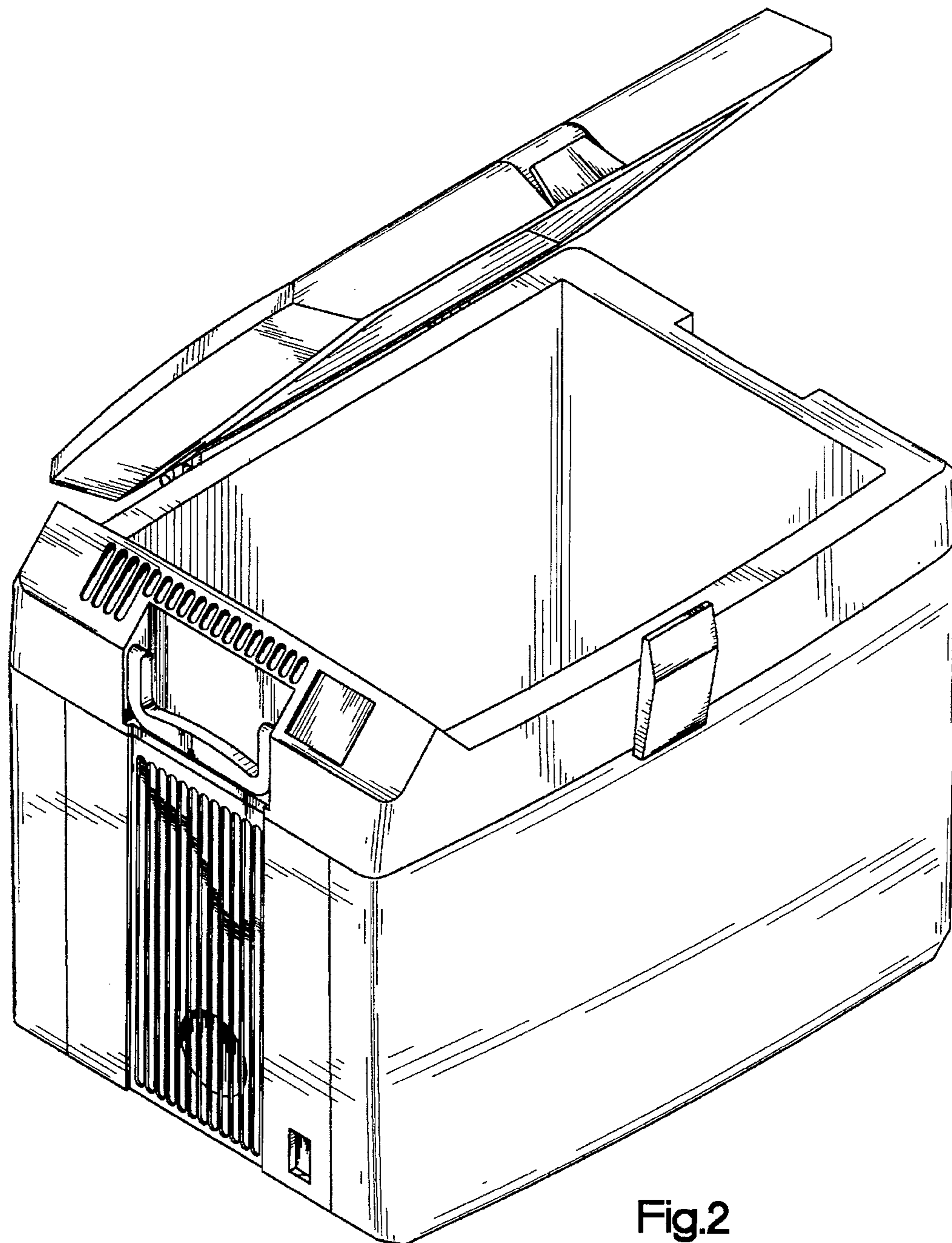


Fig.2

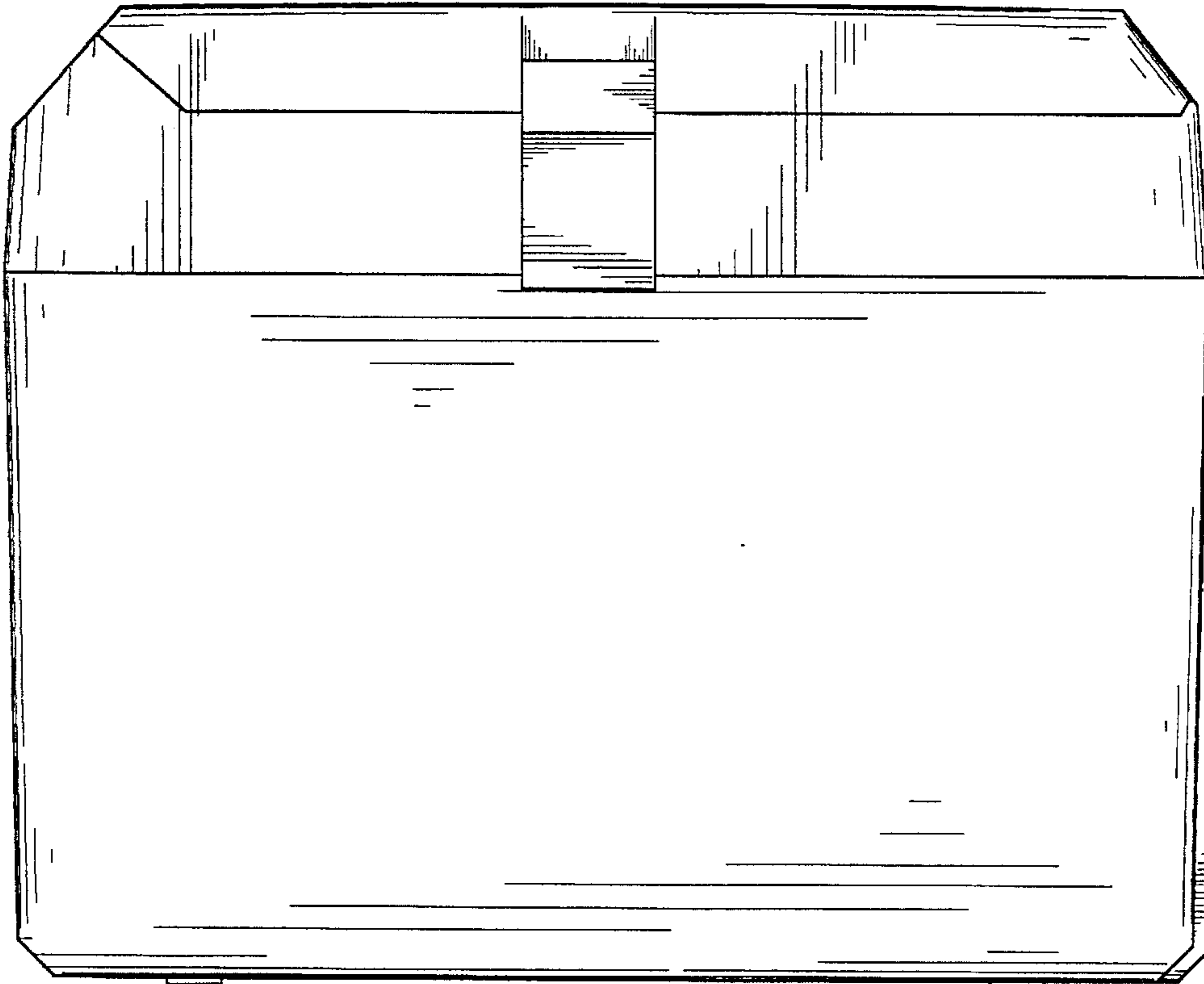


Fig.3

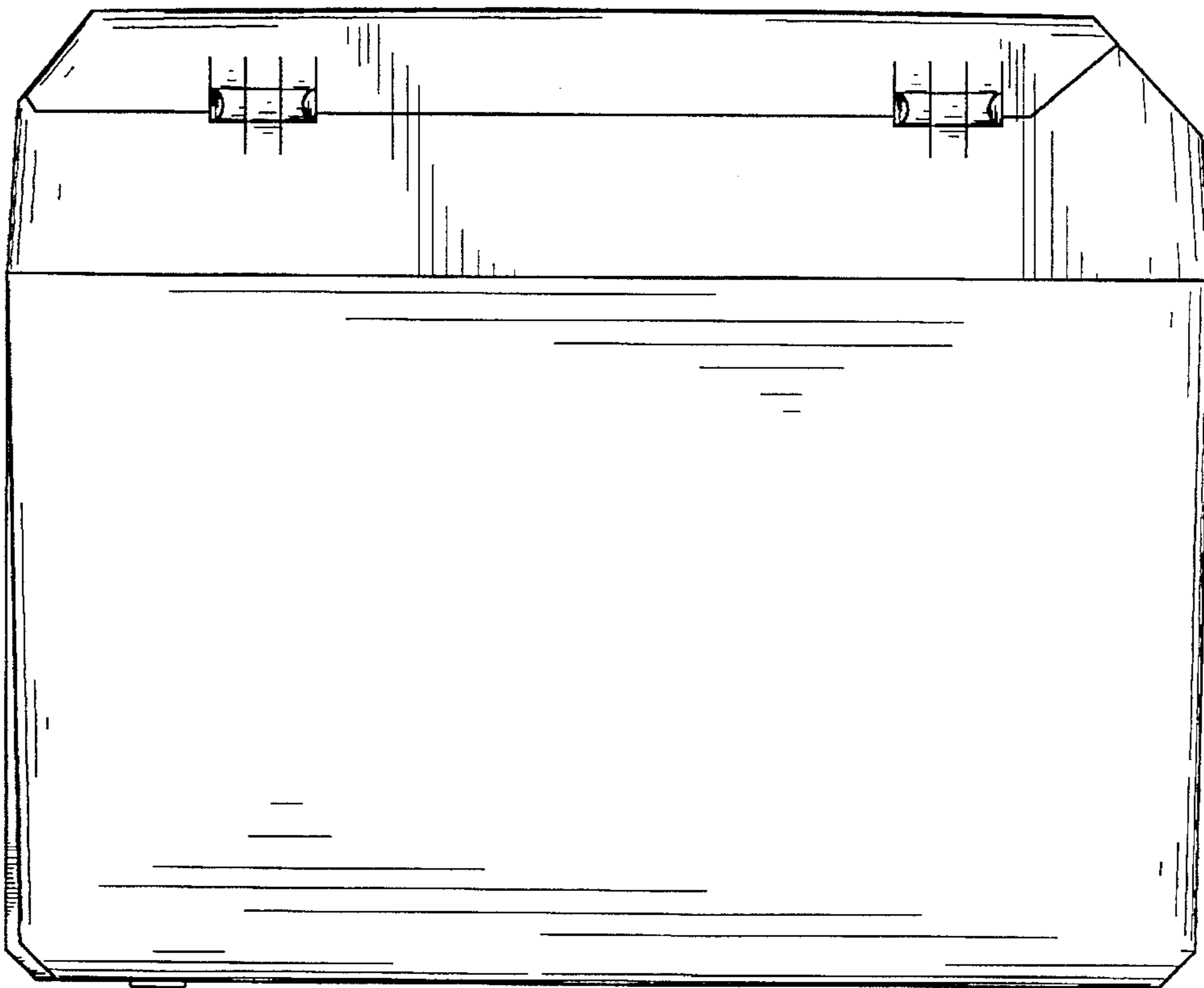


Fig.4

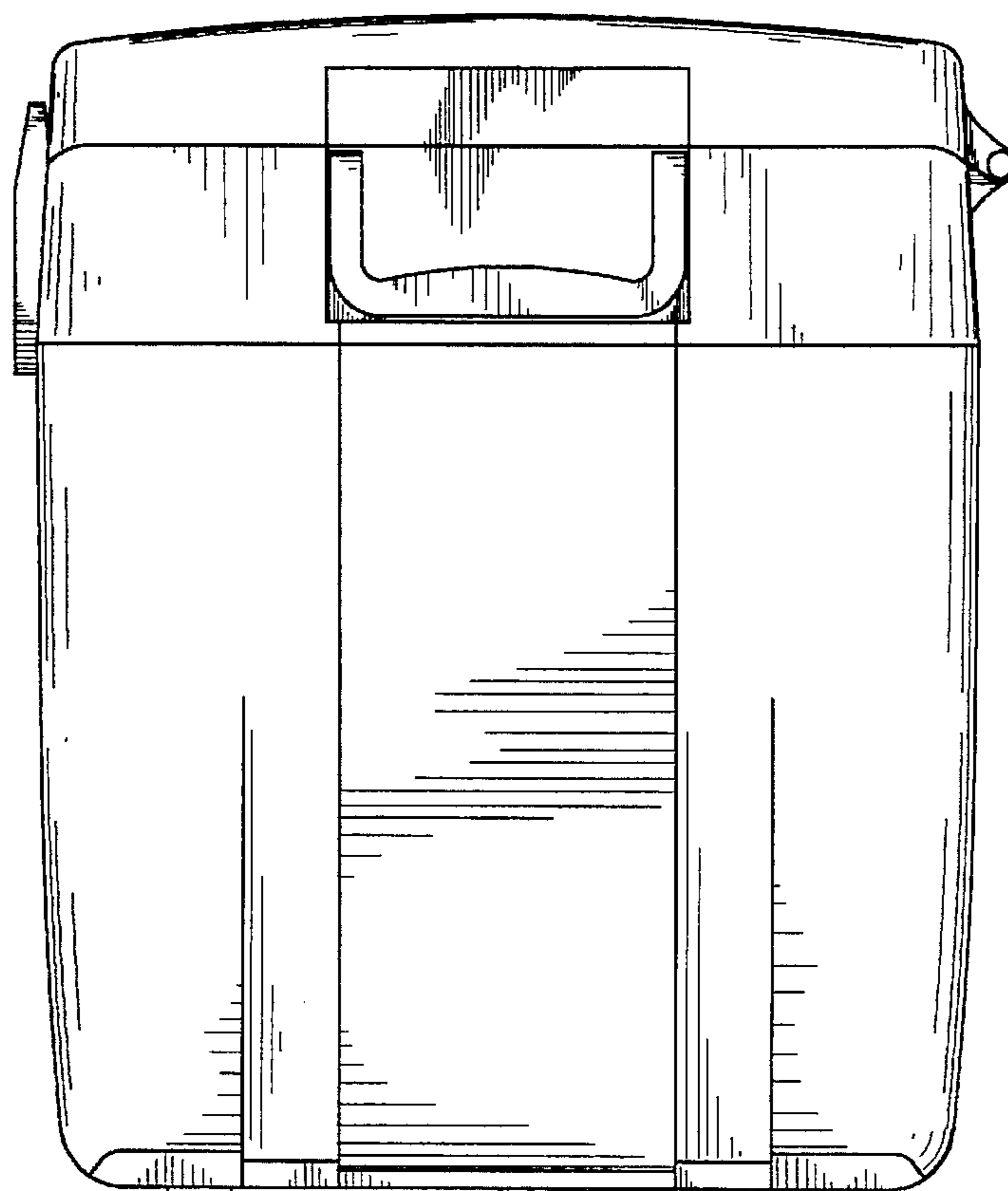


Fig.5

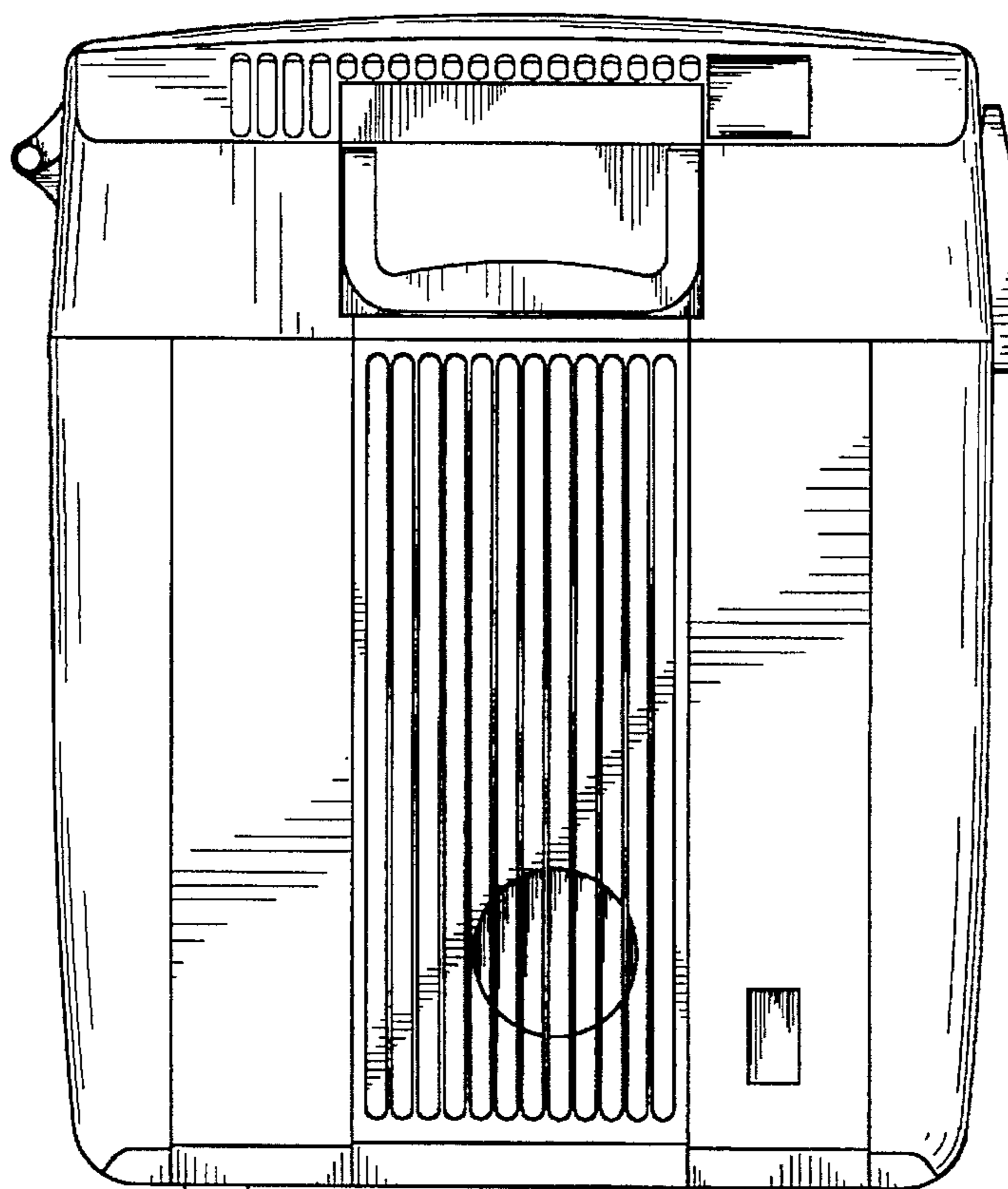


Fig.6

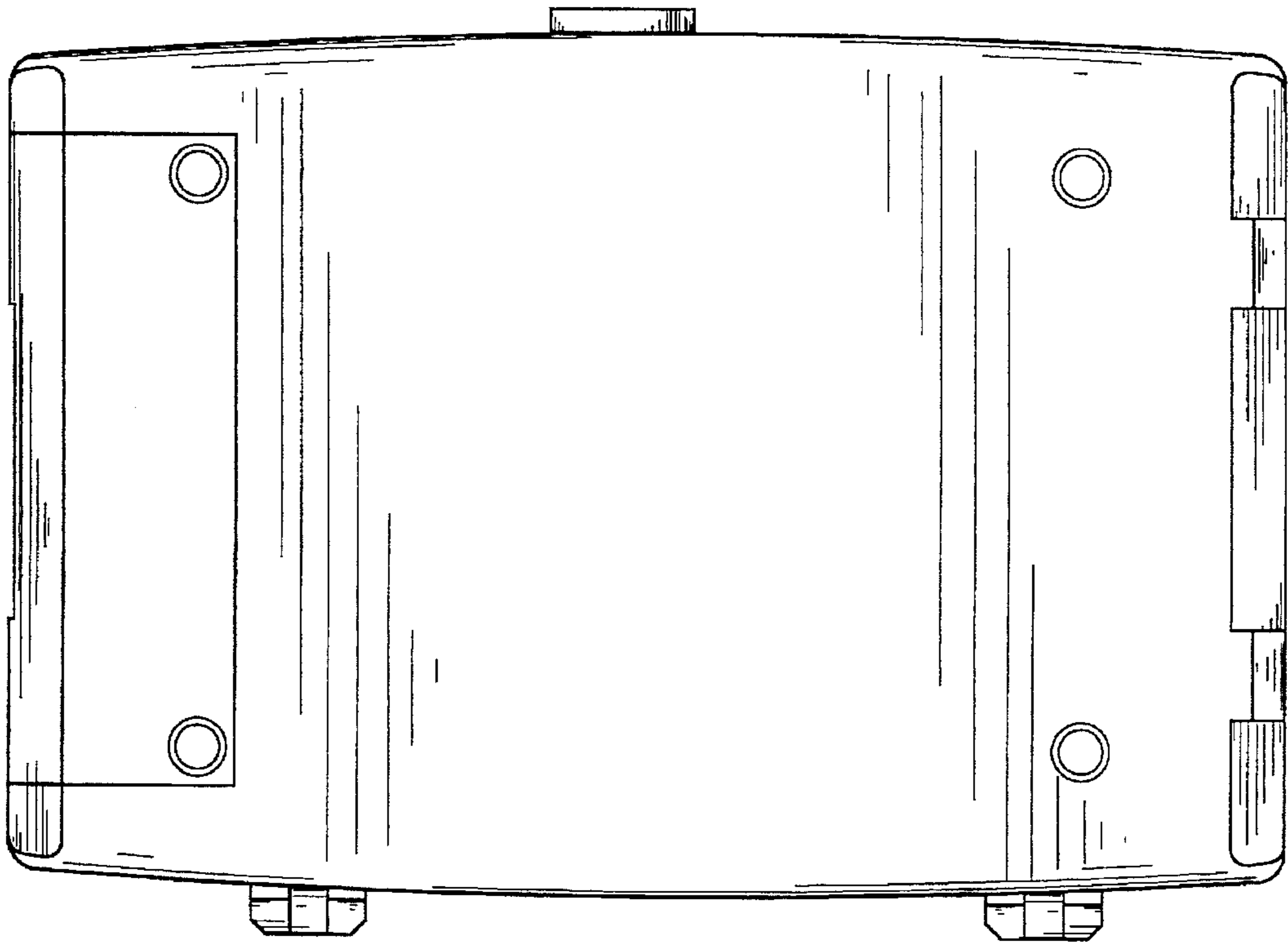


Fig.7

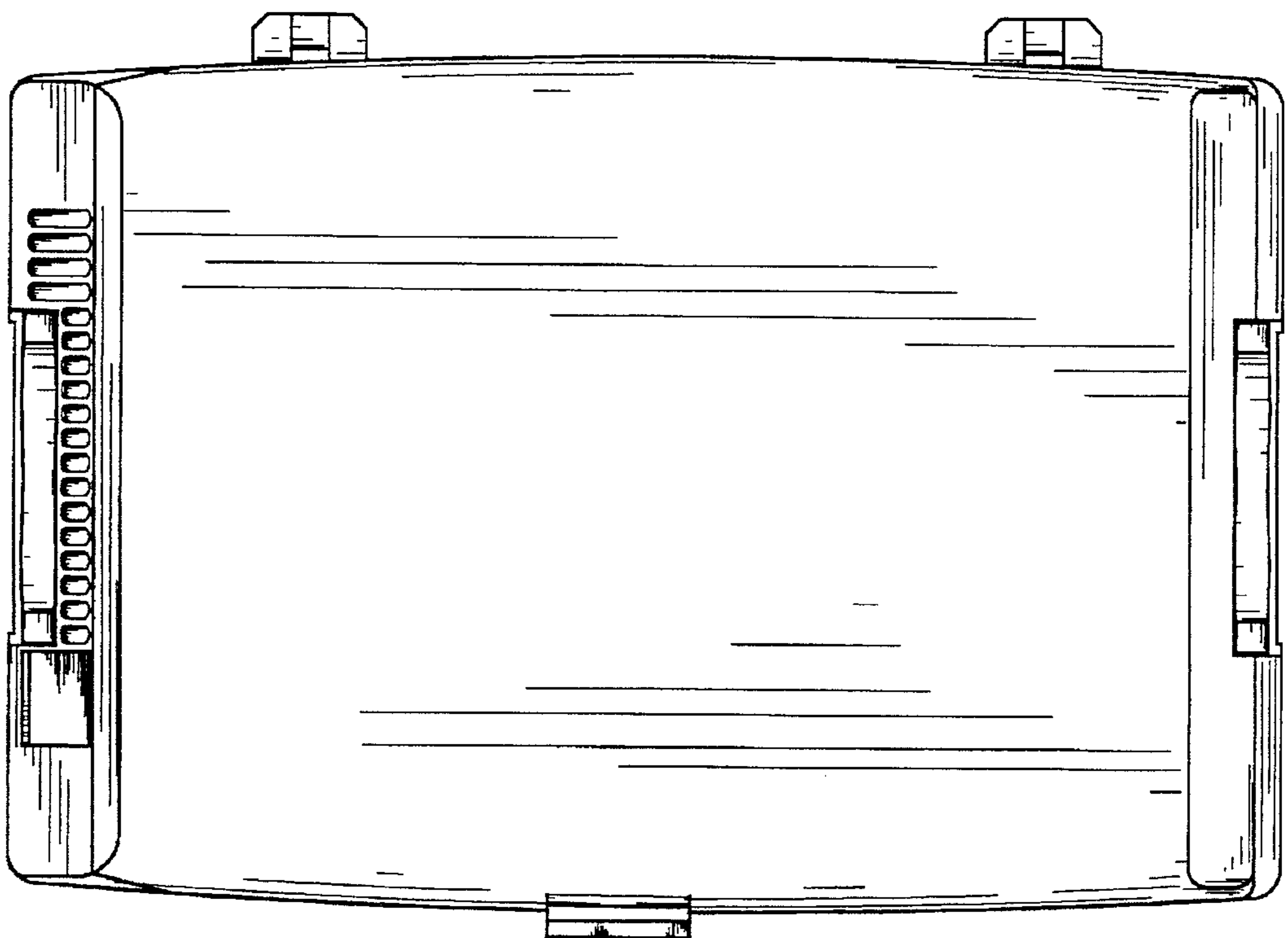


Fig.8