



US00D381868S

# United States Patent [19]

[11] Patent Number: **Des. 381,868**

Schmitt et al.

[45] Date of Patent: **\*\*Aug. 5, 1997**

[54] **BARBEQUE LID COVER**

4,840,118	6/1989	Rinehart .....	99/446
4,934,333	6/1990	Ducate, Jr. et al. .	
5,165,384	11/1992	Knutson .	
5,253,634	10/1993	LeBeouf .....	126/25 A
5,404,795	4/1995	Coble .....	99/339
5,421,318	6/1995	Unruh et al. ....	126/25 A

[76] Inventors: **Mark R. Schmitt**, 3310 Edgewood Dr.;  
**Rebecca J. Bamer**, 3316 Edgewood Dr., both of Port Angeles, Wash. 98363

[\*\*] Term: **14 Years**

*Primary Examiner*—Ruth McInroy  
*Attorney, Agent, or Firm*—Dennis H. Lambert

[21] Appl. No.: **53,330**

[22] Filed: **Apr. 11, 1996**

## [57] CLAIM

[51] LOC (6) Cl. .... **07-02**

[52] U.S. Cl. .... **D7/402; D7/332**

[58] Field of Search ..... D7/332-338; 126/25 R,  
126/25 A, 25 AA, 29-30, 9 R. 38, 24,  
19 M, 211, 275 R, 275 E

The ornamental design for a barbecue lid cover, as shown and described.

## DESCRIPTION

## [56] References Cited

### U.S. PATENT DOCUMENTS

D. 323,444	1/1992	Masters .....	D7/332
D. 361,014	8/1995	Baribeau .....	D7/402
D. 361,693	8/1995	Burke .....	D7/332
3,533,393	10/1970	Haapanen .	
4,256,080	3/1981	Seach .	
4,362,093	12/1982	Griscom .....	99/339

FIG. 1 is a front, top and side perspective view of a barbecue lid cover showing our new design, the grill shown in broken lines is for illustrative purposes only and forms no part of the claimed design;

FIG. 2 is a left end view thereof;

FIG. 3 is a right end view thereof;

FIG. 4 is a front elevational view thereof;

FIG. 5 is a top plan view thereof; and,

FIG. 6 is a bottom plan view thereof.

**1 Claim, 3 Drawing Sheets**

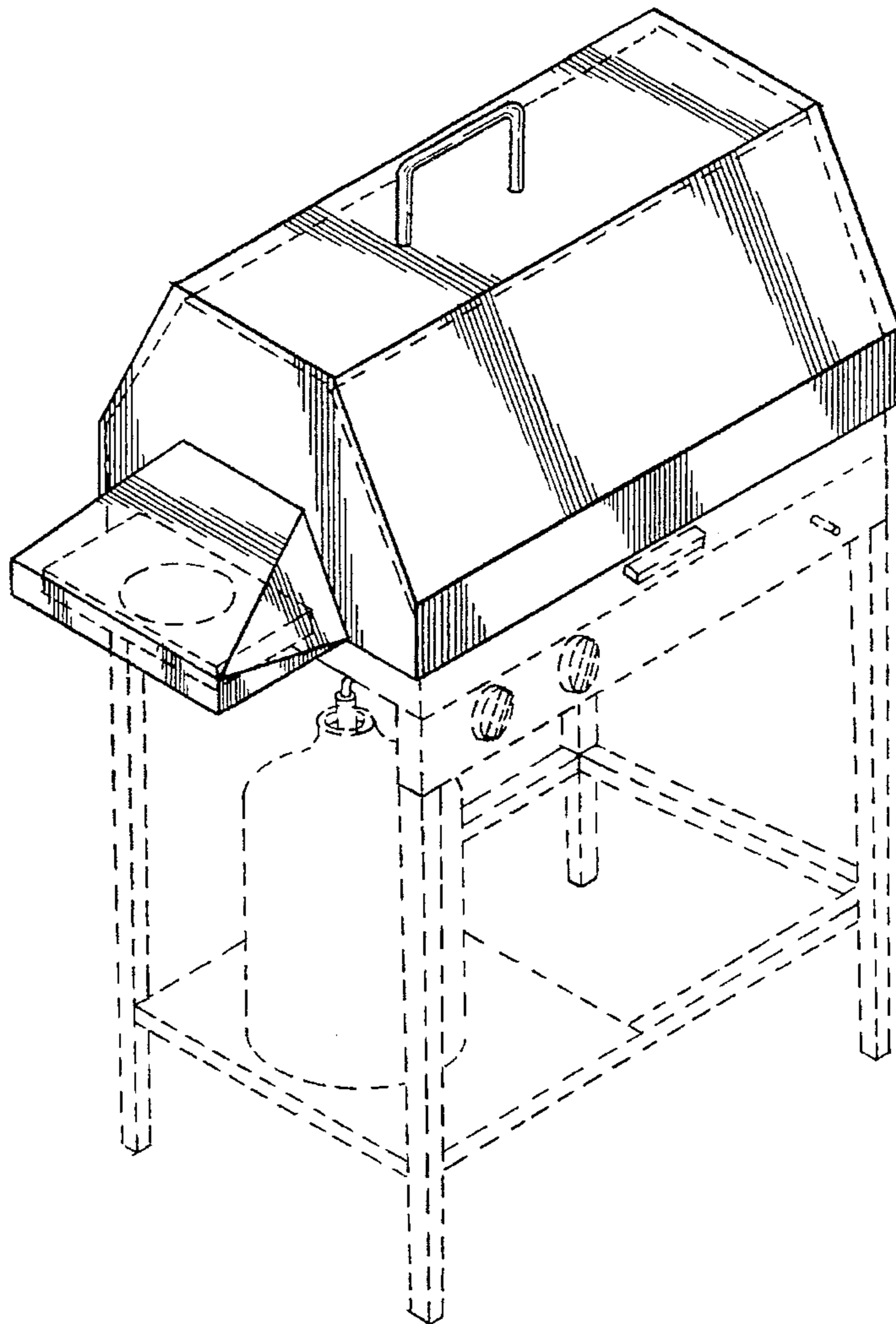


FIG. 1.

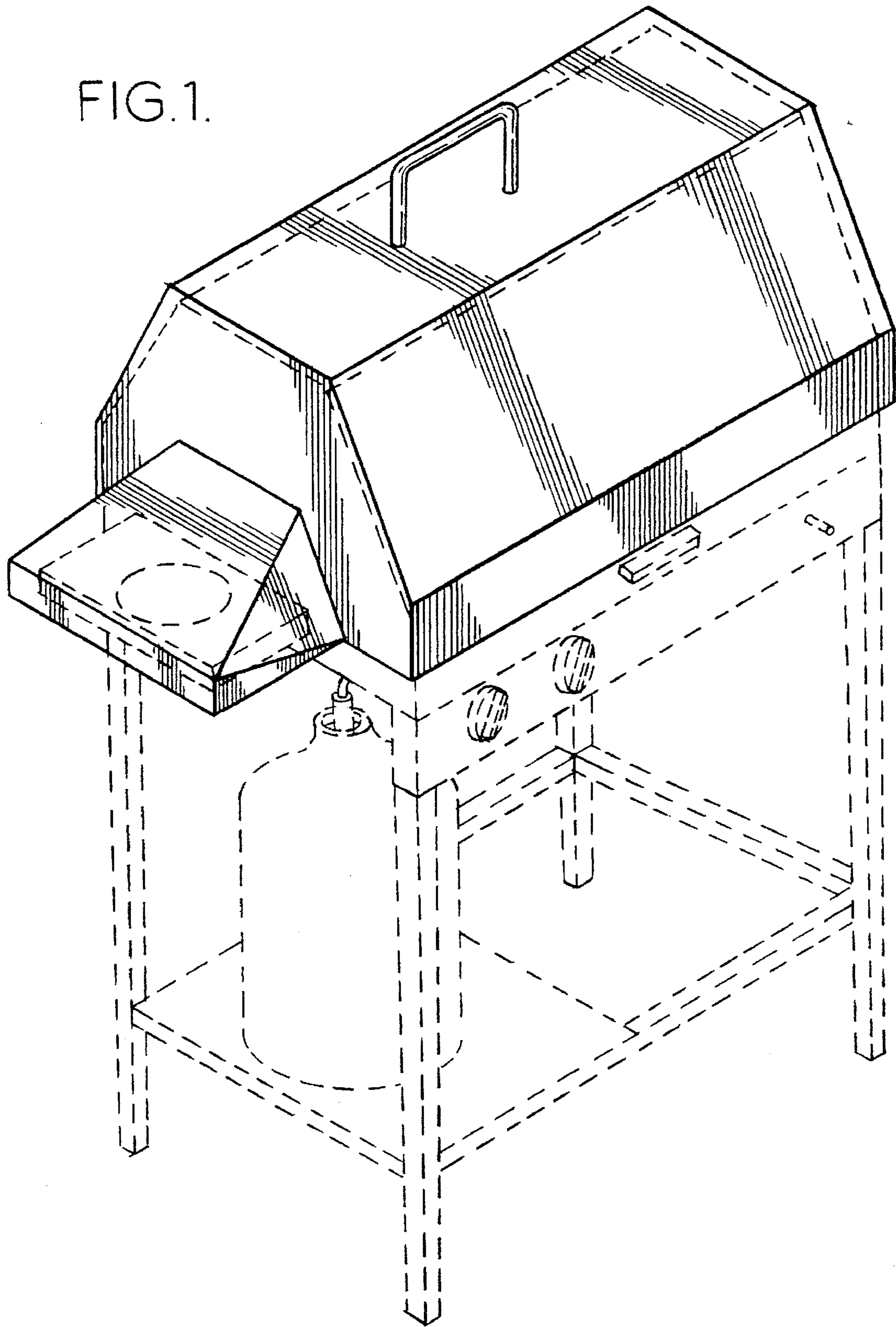


FIG. 2.

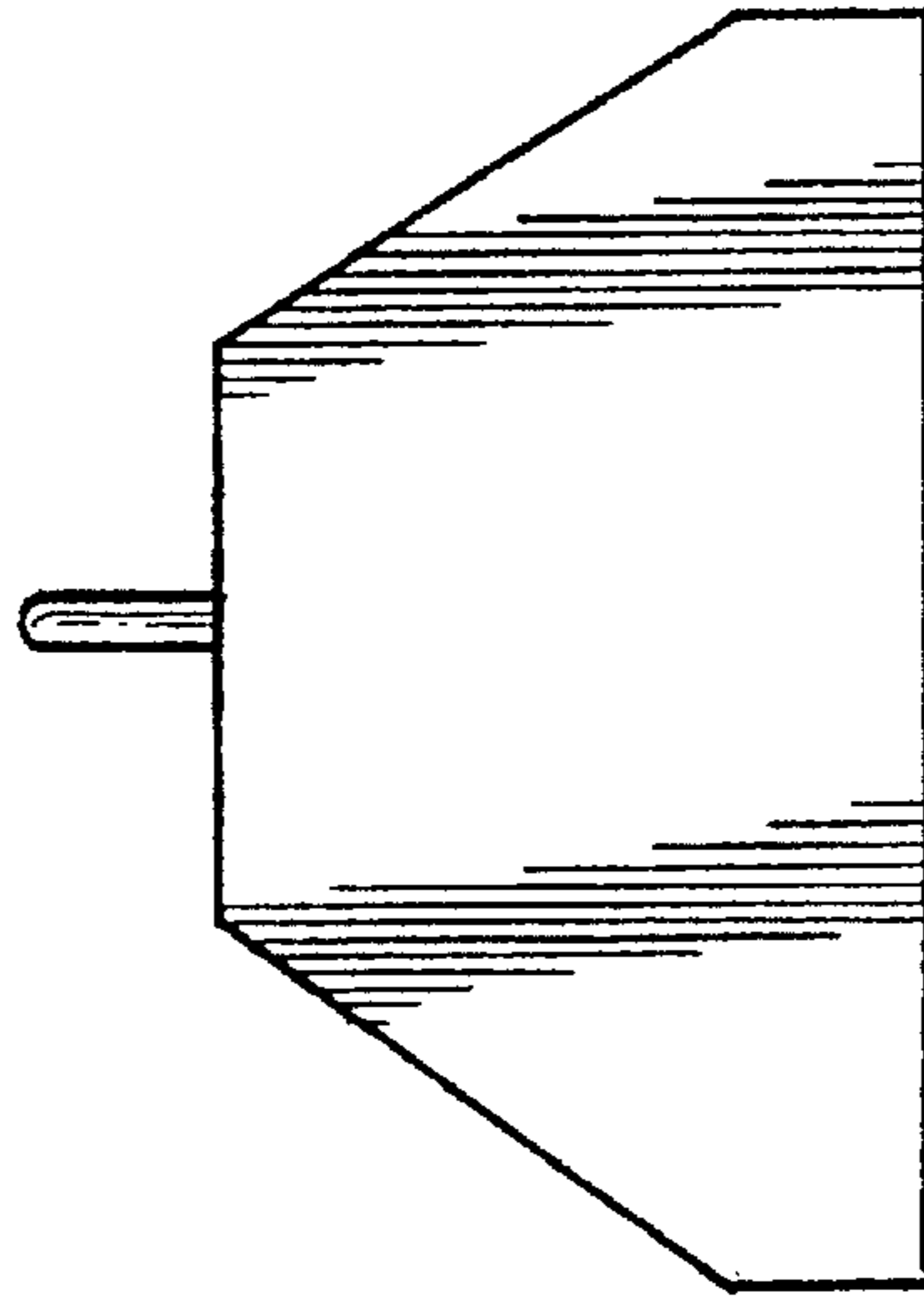


FIG. 5.

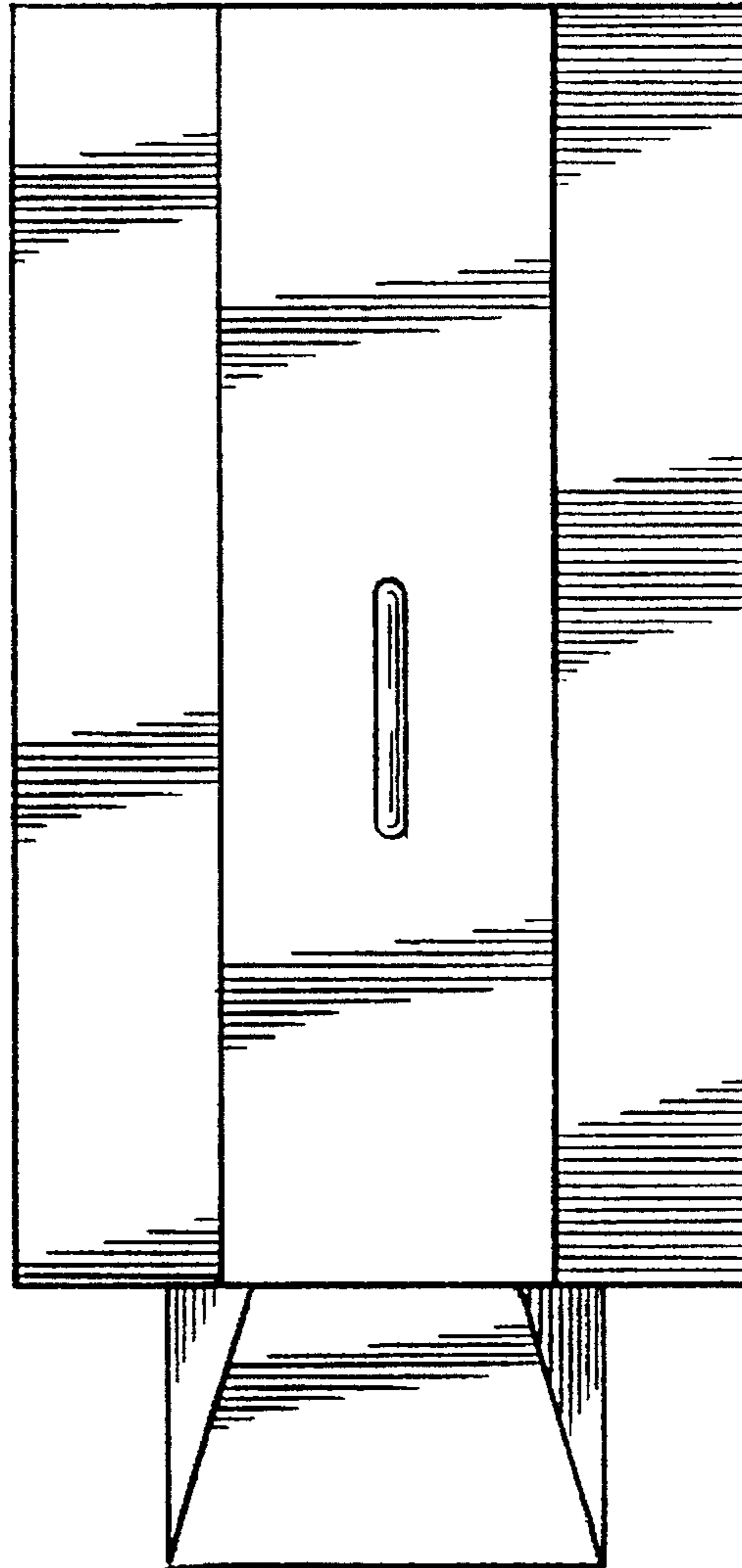


FIG. 4.

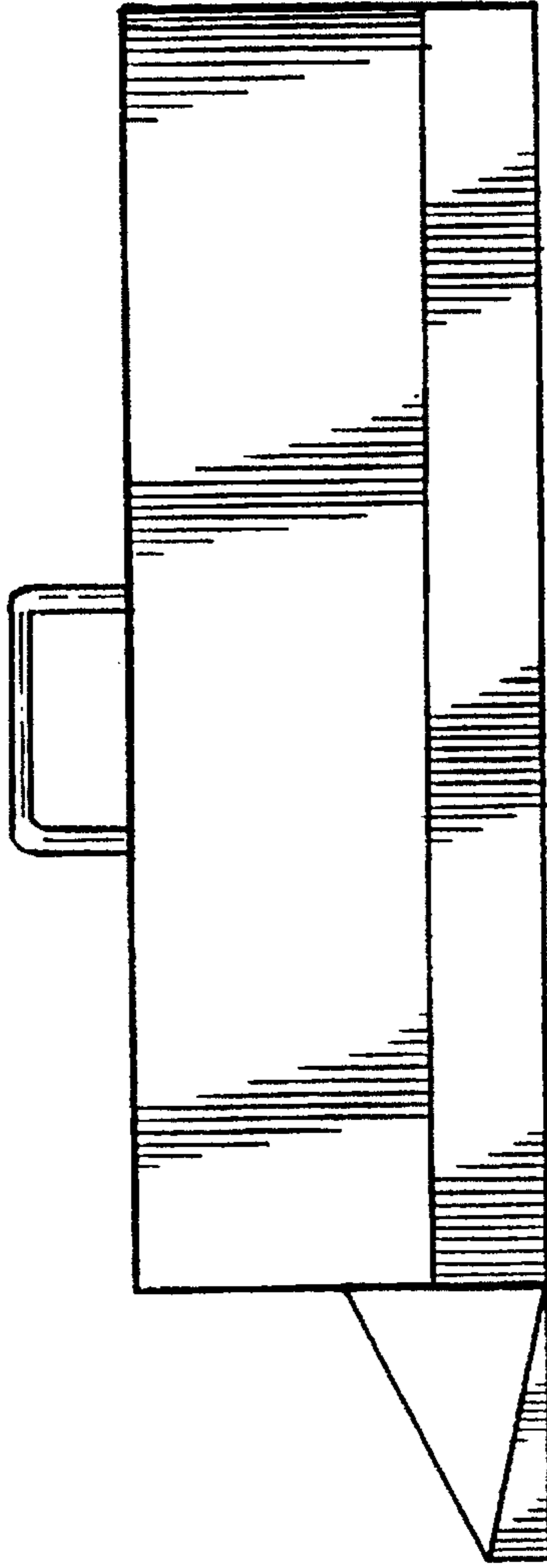


FIG. 3.

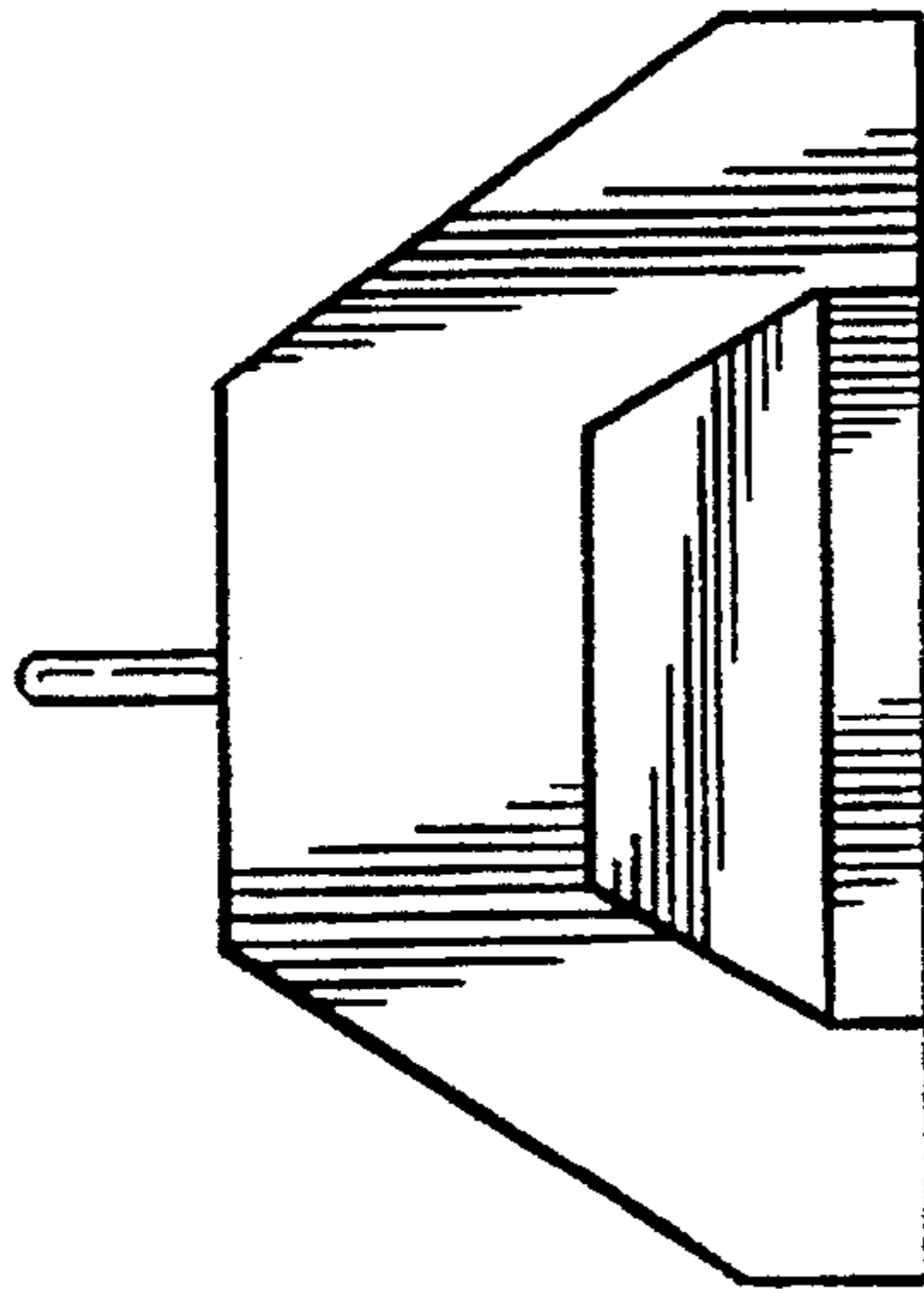


FIG. 6.

