



US00D381863S

United States Patent [19]

[11] Patent Number: **Des. 381,863**

Vineis

[45] Date of Patent: ****Aug. 5, 1997**

[54] **SPLATTER SHIELD ACCESSORY FOR HAND-MIXERS**

2,751,901	6/1956	Livemore	D7/391 X
2,753,160	7/1956	Gunn, Sr.	366/343
3,417,972	12/1968	Vincent	366/130
3,913,896	10/1975	Hawke	D7/412 X
4,138,939	2/1979	Feld	99/418

[76] Inventor: **Donna L. Vineis**, 1042 E. Main St., Lansdale, Pa. 19446

[**] Term: **14 Years**

FOREIGN PATENT DOCUMENTS

869551 3/1953 Germany D7/667

[21] Appl. No.: **55,030**

Primary Examiner—M. N. Pandozzi

[22] Filed: **May 28, 1996**

[57] CLAIM

[51] **LOC (6) Cl.** **07-99**

[52] **U.S. Cl.** **D7/387; D7/391**

[58] **Field of Search** D7/387, 391, 409, D7/400, 369, 667, 376, 379, 412; 366/343, 130; 99/418

The ornamental design for a splatter shield accessory for hand-mixers, as shown and described.

DESCRIPTION

[56] References Cited

U.S. PATENT DOCUMENTS

D. 163,468	5/1951	Millard	D7/667
D. 288,891	3/1987	Saito	D7/391
D. 316,505	4/1991	Chow	D7/409 X
D. 332,722	1/1993	Torbet et al.	D7/387 X
D. 336,727	6/1993	Skerker et al.	D7/409
2,667,117	1/1954	Millard et al.	99/418

FIG. 1 is a front elevational view of the splatter shield accessory for hand-mixers showing my new design; FIG. 2 is a rear elevational view thereof; FIG. 3 is a top plan view thereof; and, FIG. 4 is a bottom plan view thereof. The broken line showing of a mixer and a bowl in FIG. 1 is for illustrative purposes only and forms no part of the claimed design.

1 Claim, 3 Drawing Sheets

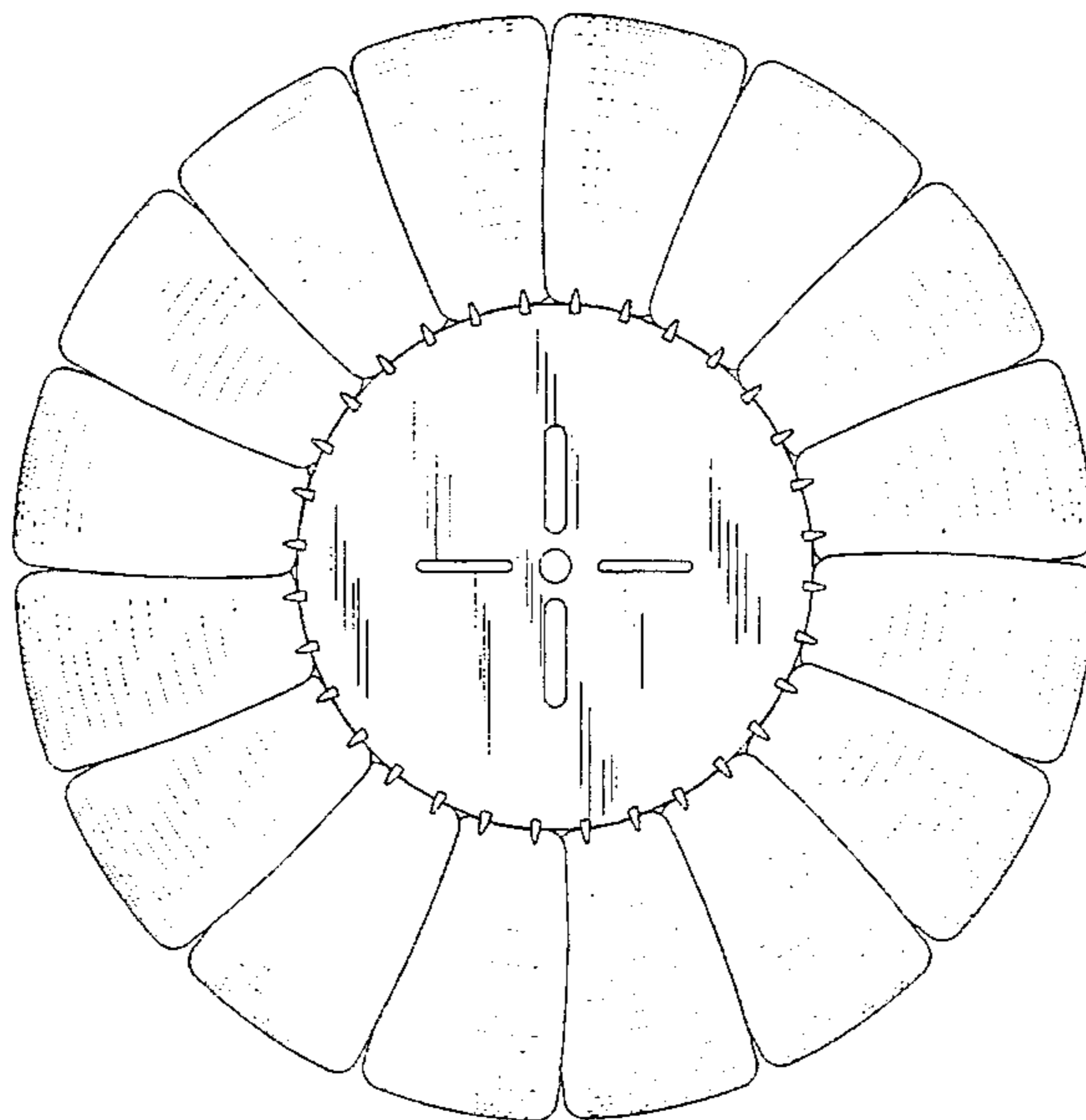
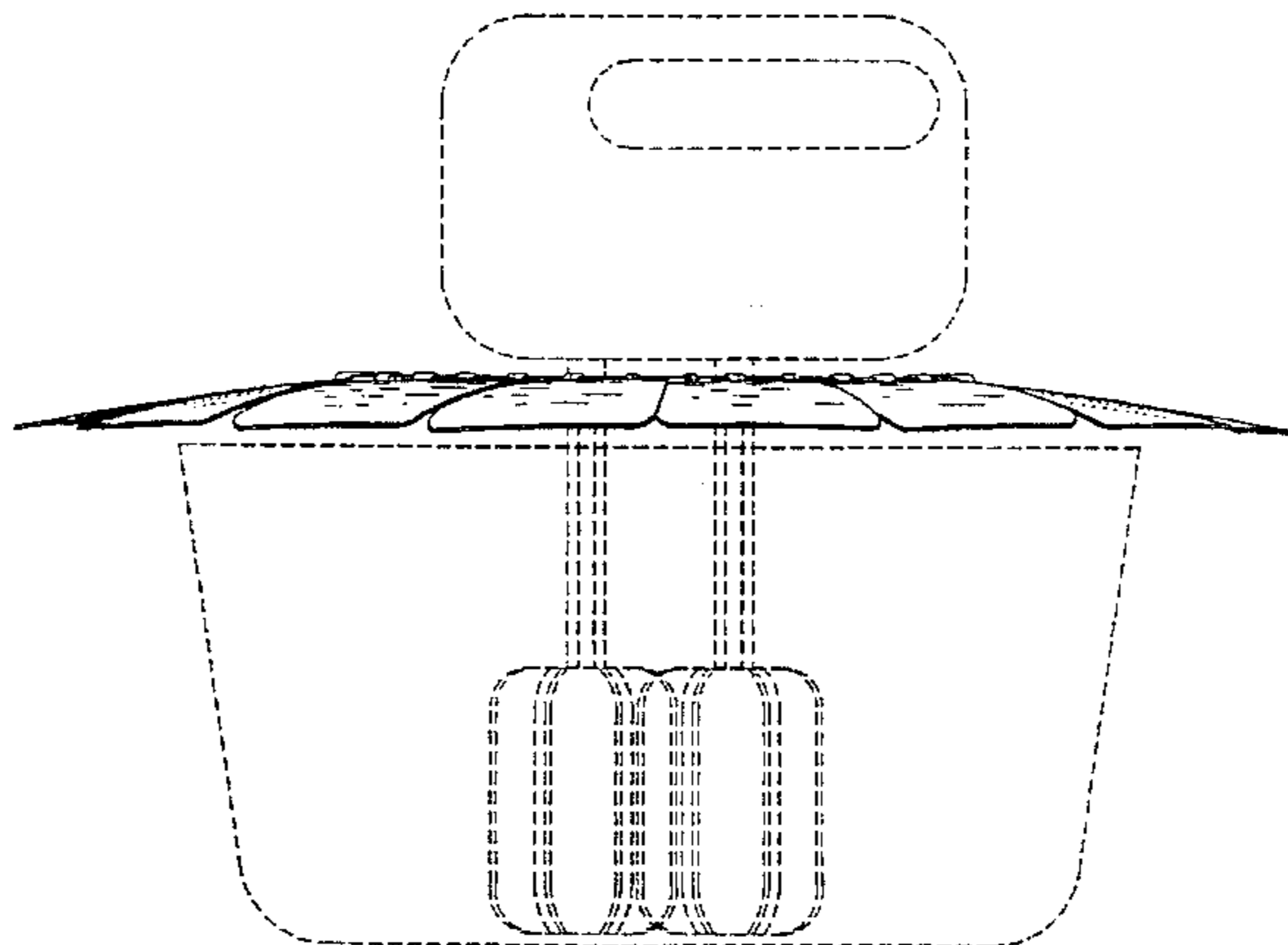


FIG. 1

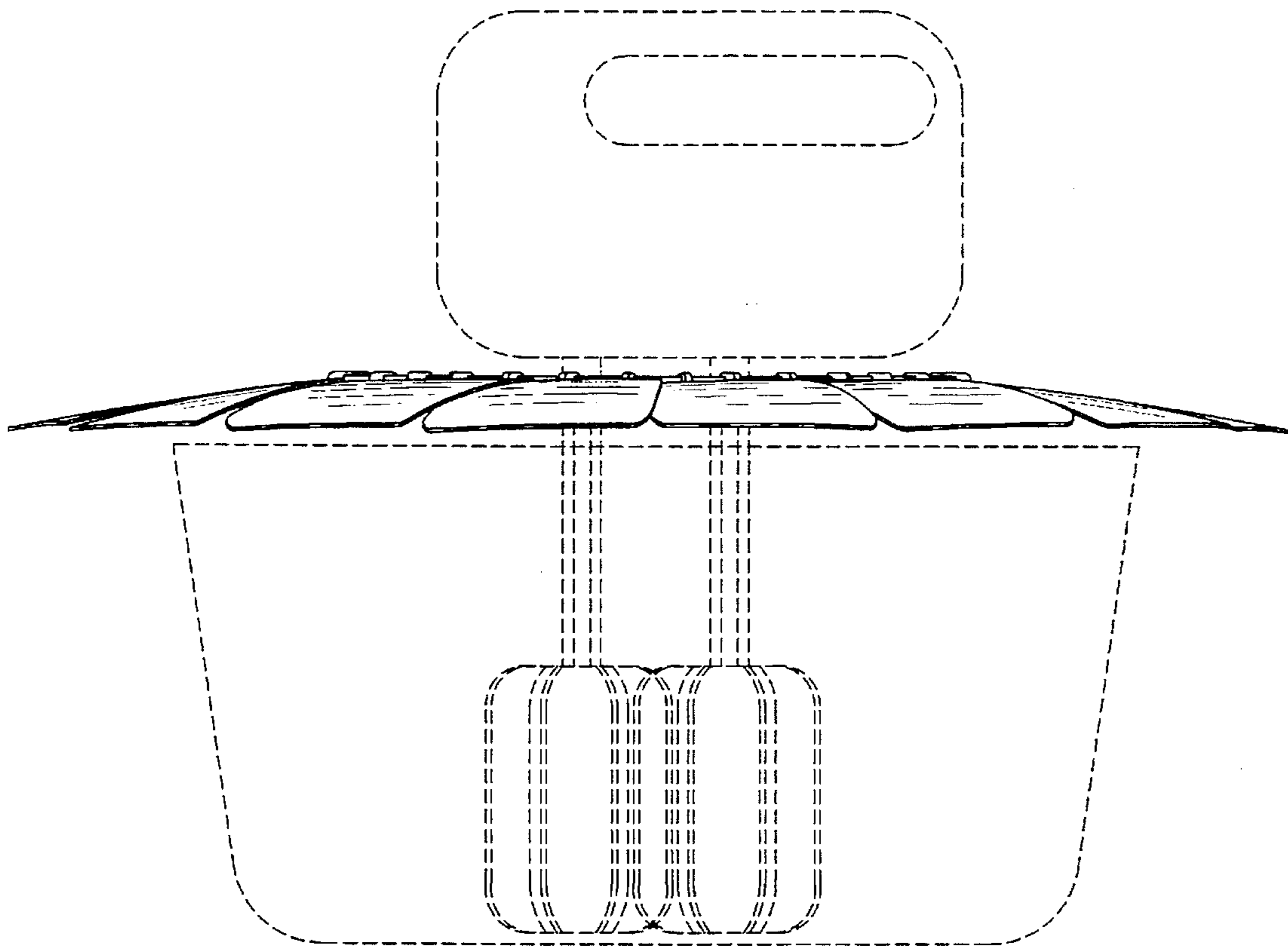


FIG. 2



FIG. 3

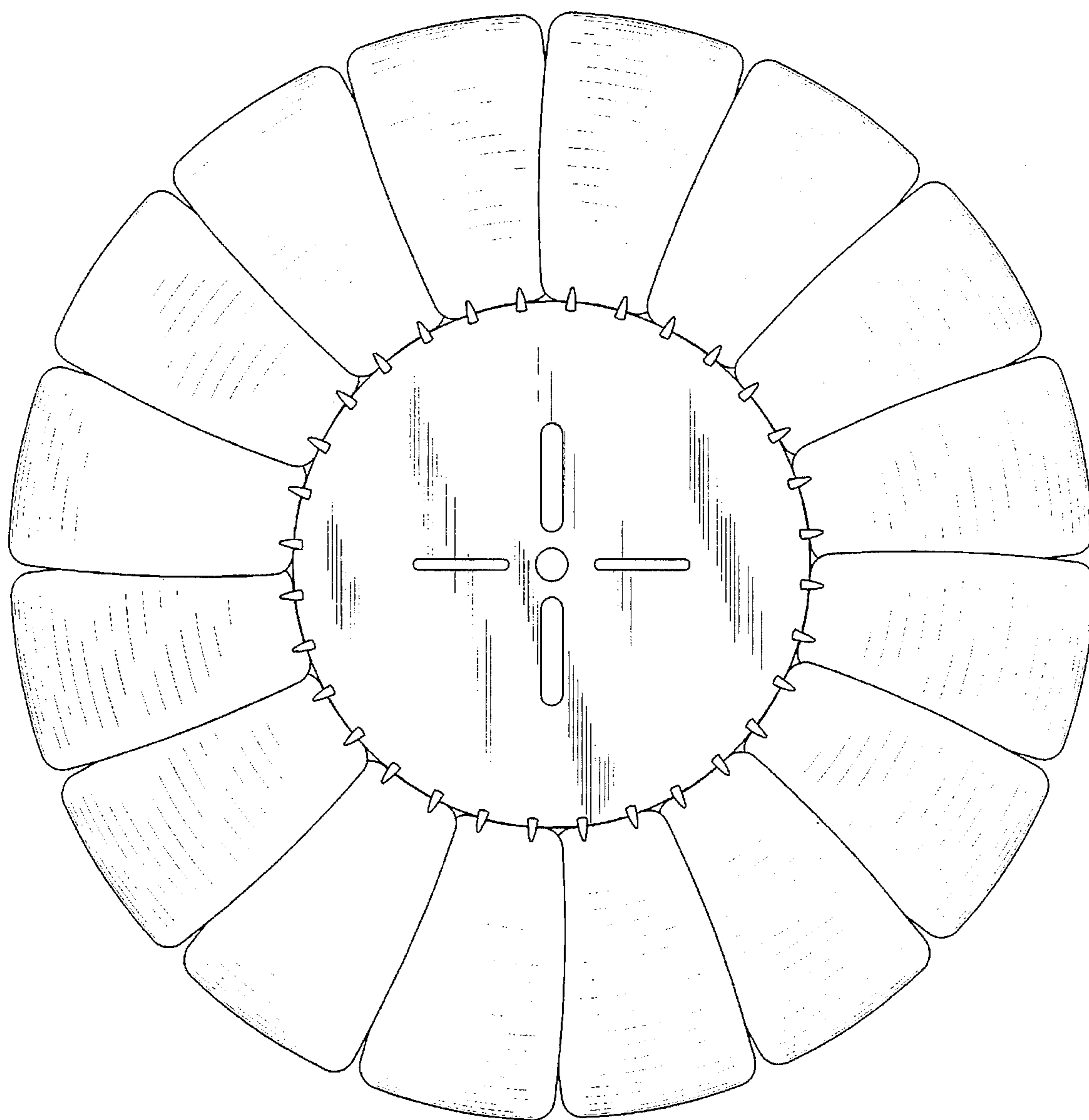


FIG. 4

