



US00D381861S

# United States Patent [19]

Rorke et al.

[11] Patent Number: **Des. 381,861**

[45] Date of Patent: **\*\*Aug. 5, 1997**

[54] **TOASTER OVEN**

[75] Inventors: **Anthony Brooks Rorke**, Guilford;  
**Michael E. Laude**, Southbury, both of  
Conn.

[73] Assignee: **Black & Decker Inc.**, Newark, Del.

[\*\*] Term: **14 Years**

[21] Appl. No.: **54,743**

[22] Filed: **May 21, 1996**

[51] LOC (6) Cl. .... **07-02**

[52] U.S. Cl. .... **D7/350**

[58] Field of Search ..... D7/350, 351, 348;  
126/275 R, 275 E, 19 M, 21 A; 219/756-758

[56] **References Cited**

**U.S. PATENT DOCUMENTS**

D. 296,858	7/1988	Ooki	D7/350
D. 297,392	8/1988	Han	D7/351
D. 299,306	1/1989	Yoshida	D7/351
D. 300,711	4/1989	Moritani	D7/350
D. 301,428	6/1989	Viancin	D7/350
D. 304,411	11/1989	Yoo	D7/351

D. 309,078	7/1990	Kokubo	D7/351
D. 329,353	9/1992	Yamada	D7/351
D. 336,814	6/1993	Brookshire	D7/350

**OTHER PUBLICATIONS**

Woodward & Lothrop Ad, "Alfredo toaster oven by  
Delonghi" no page No. Sep. 1985.

*Primary Examiner*—Ruth McInroy  
*Attorney, Agent, or Firm*—Barry E. Deutsch

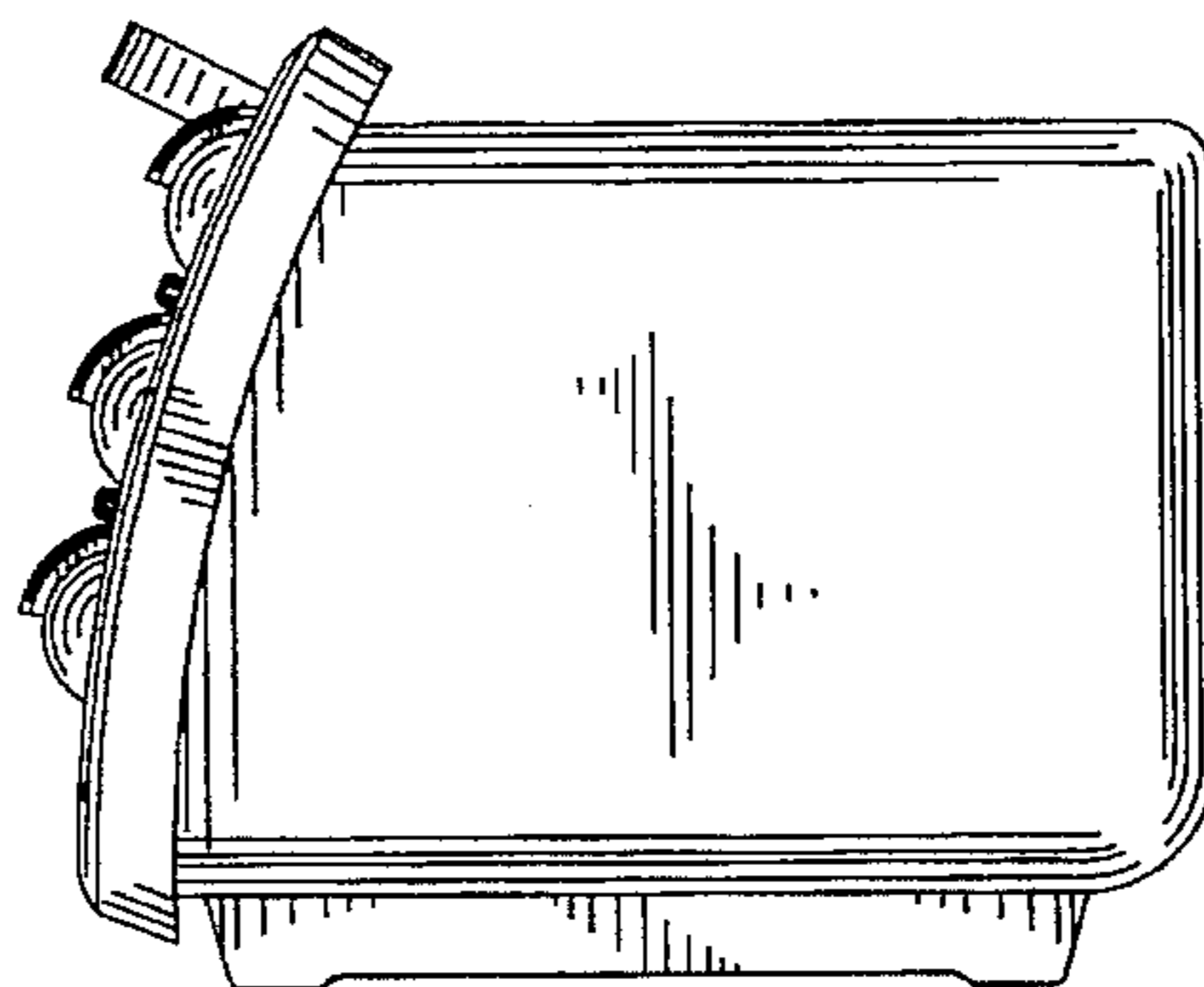
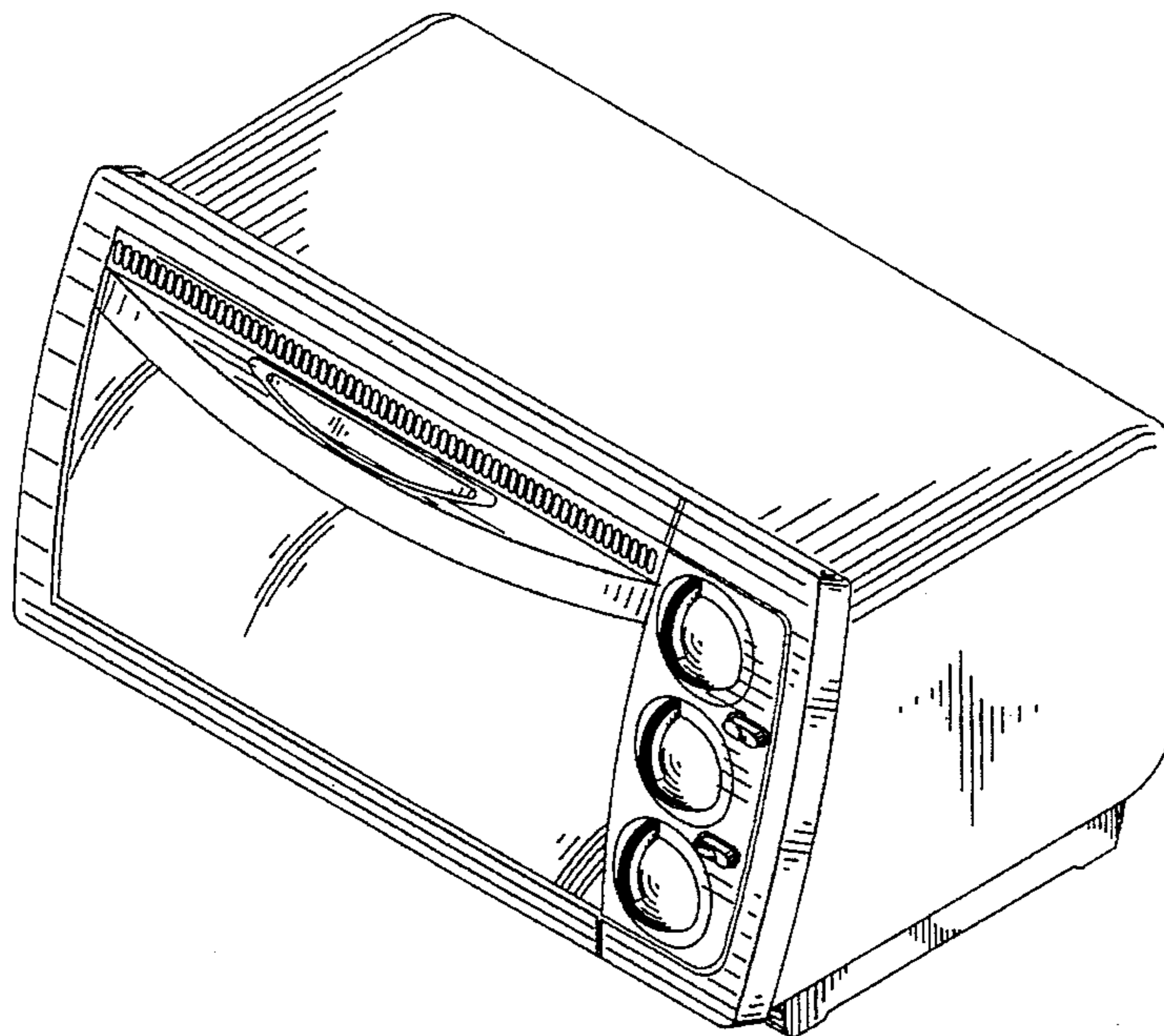
[57] **CLAIM**

The ornamental design for a toaster oven, as shown and  
described.

**DESCRIPTION**

FIG. 1 is a perspective view taken from the front, top and  
right side of a toaster oven showing our new design;  
FIG. 2 is a right side elevational view thereof;  
FIG. 3 is a left side elevational view thereof;  
FIG. 4 is a rear elevational view thereof;  
FIG. 5 is a bottom plan view thereof;  
FIG. 6 is a top plan view thereof; and,  
FIG. 7 is a front elevational view thereof.

**1 Claim, 4 Drawing Sheets**



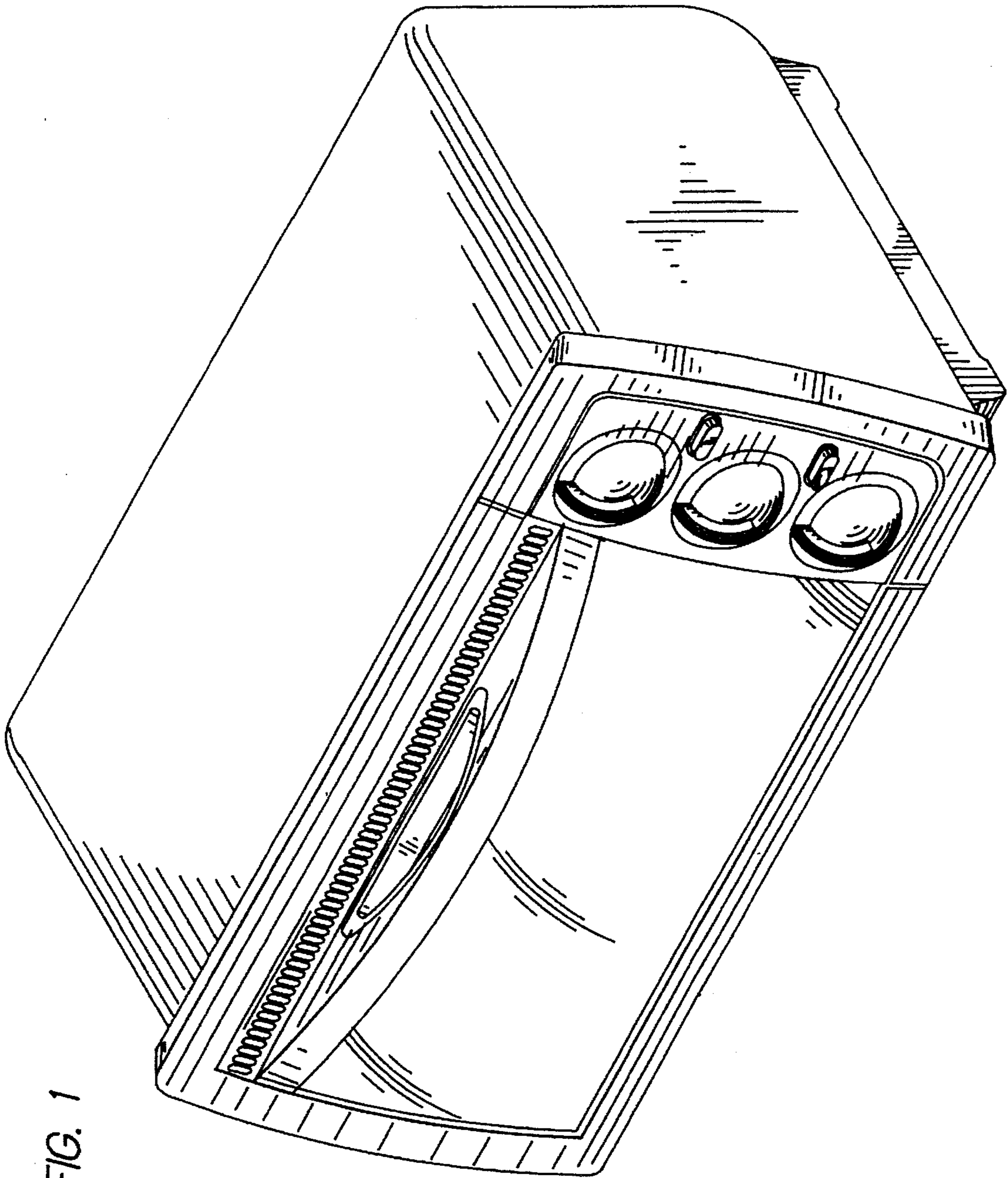


FIG. 1

FIG. 2

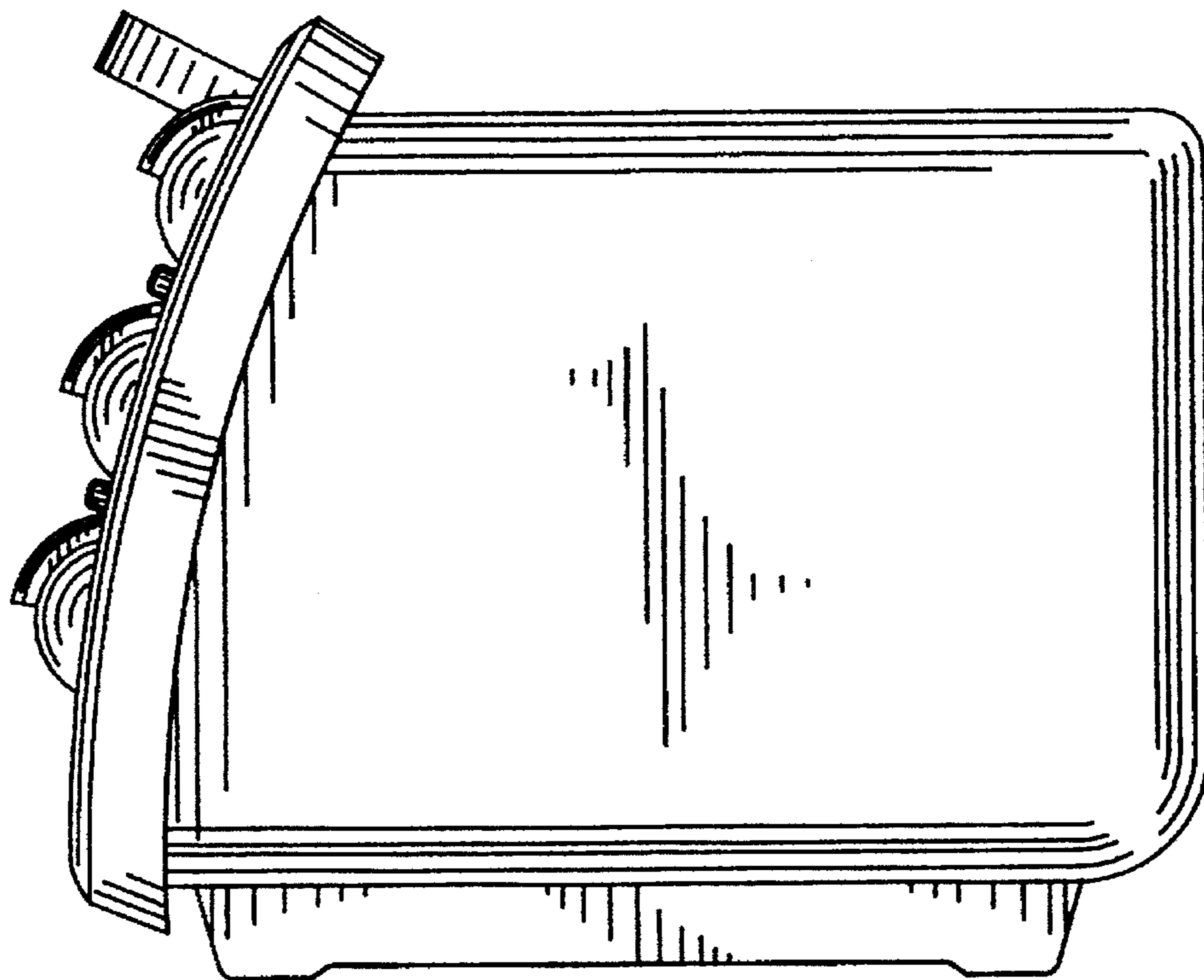


FIG. 3

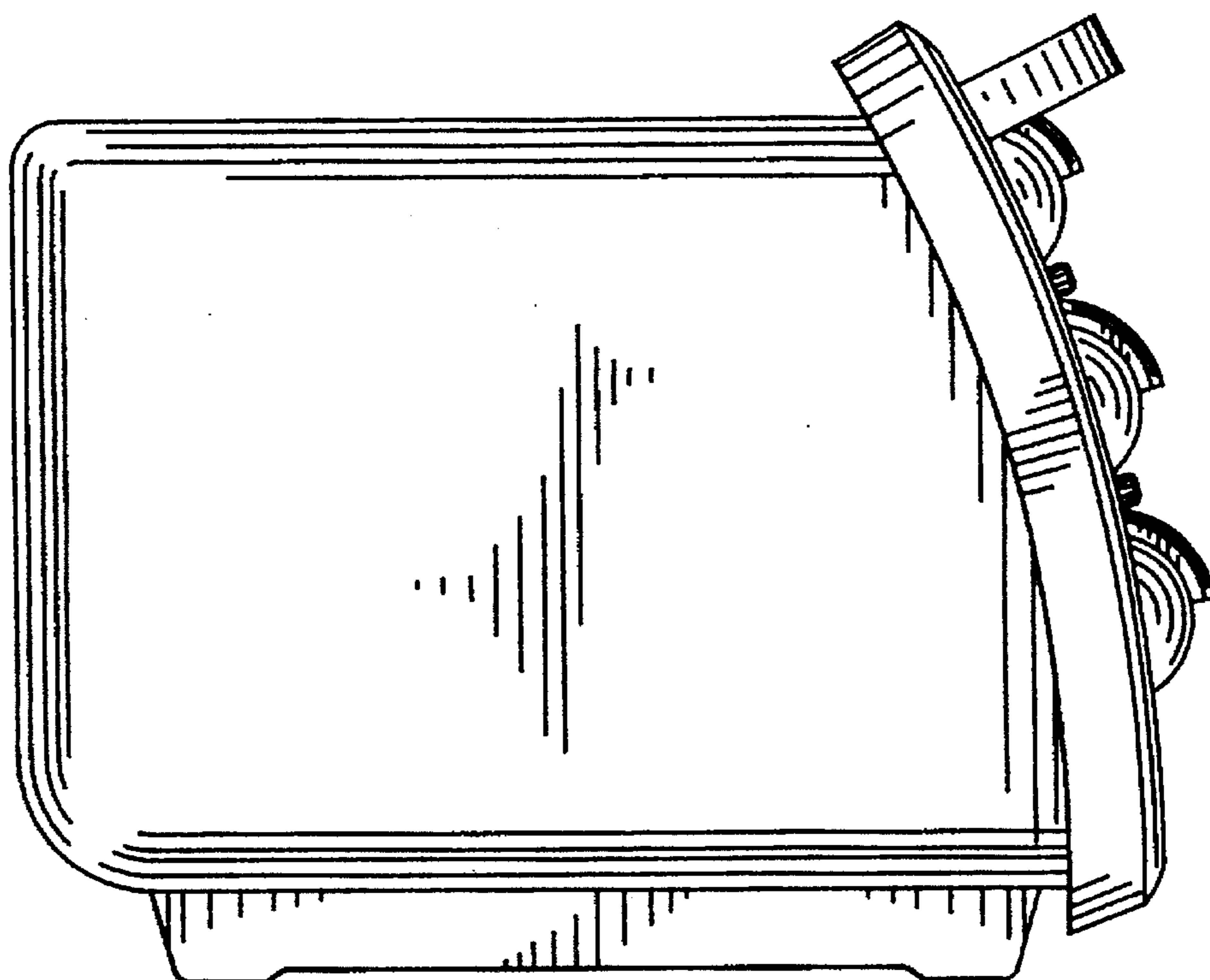


FIG. 4

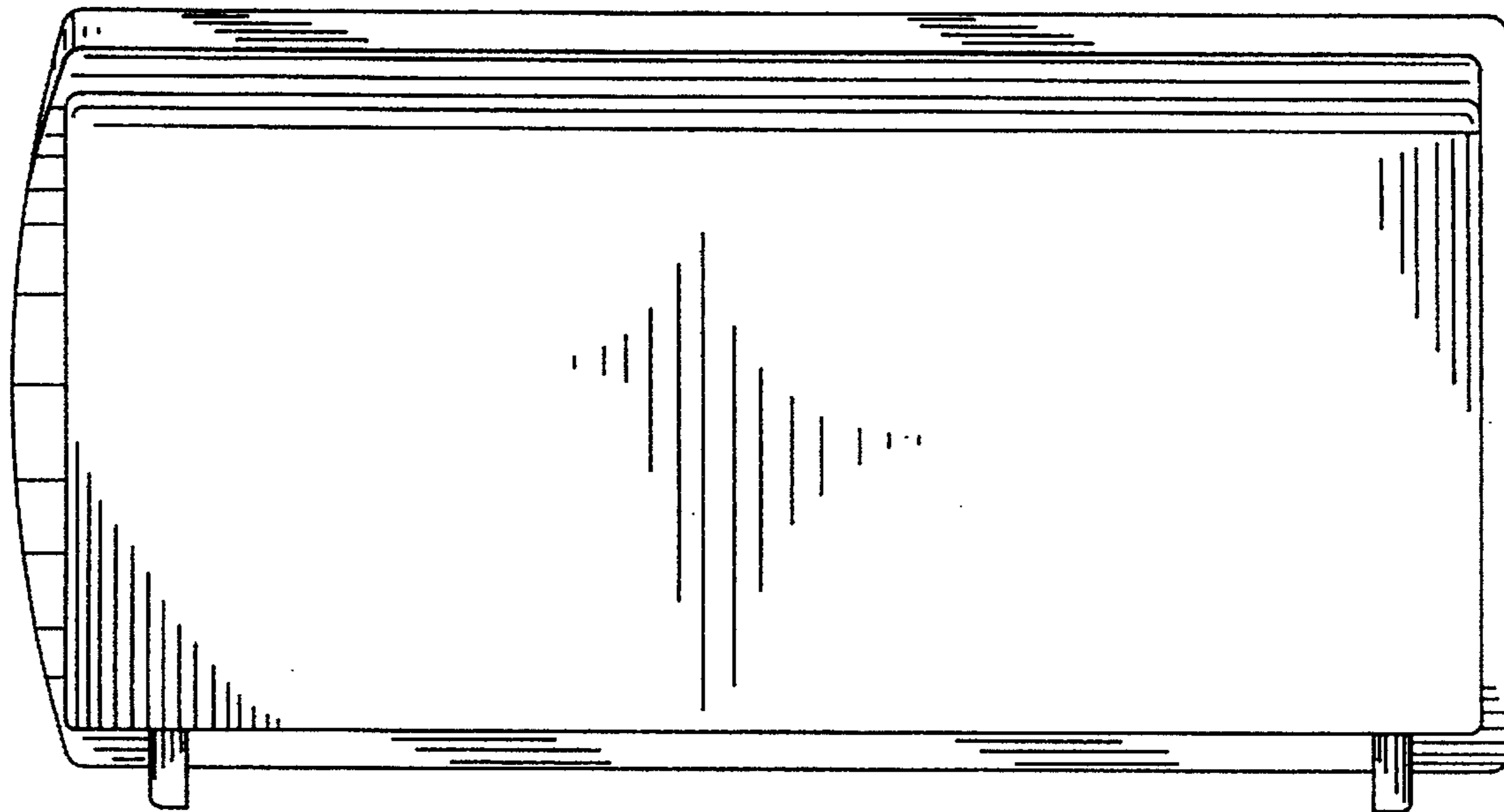


FIG. 5

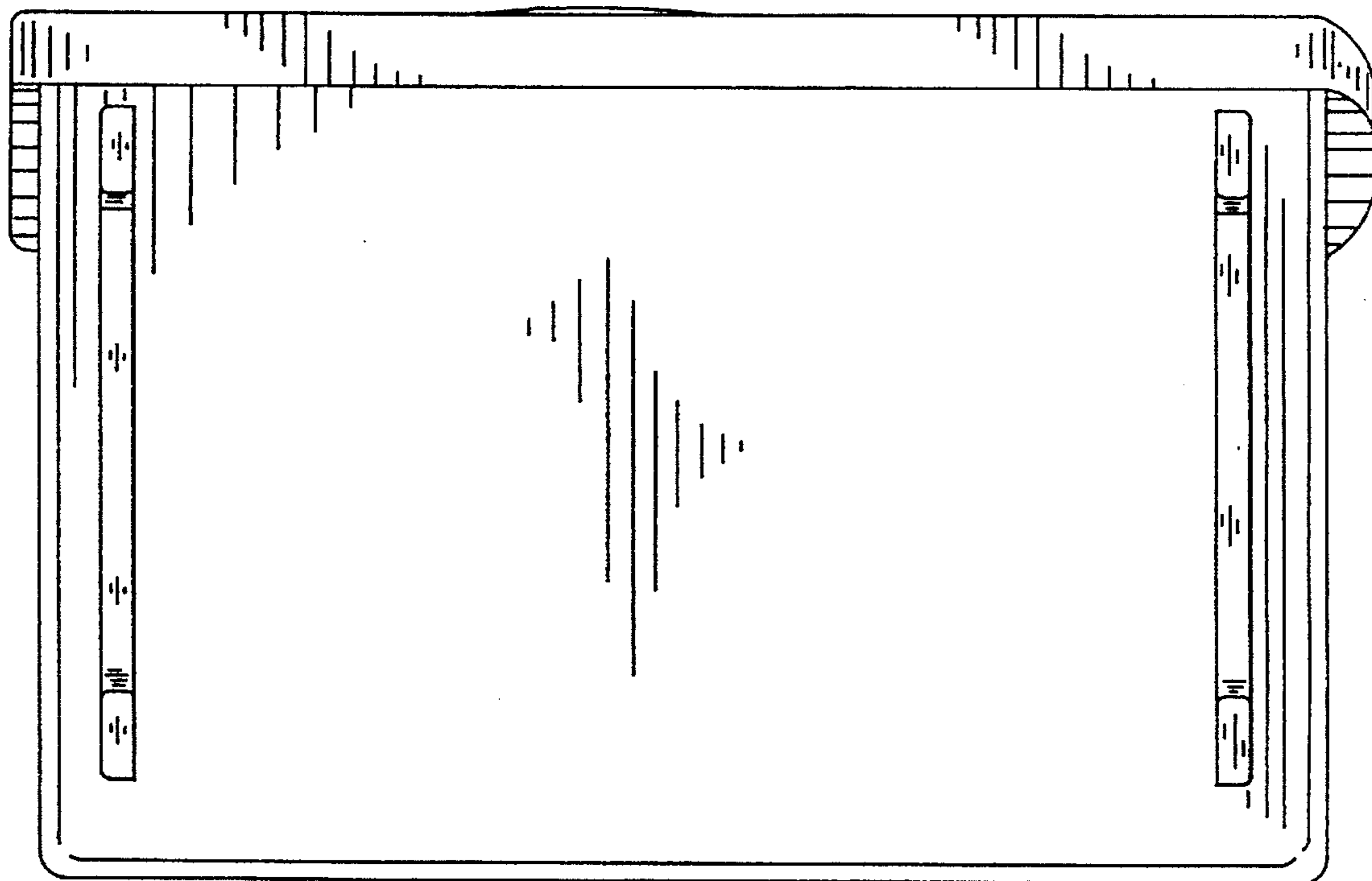


FIG. 6

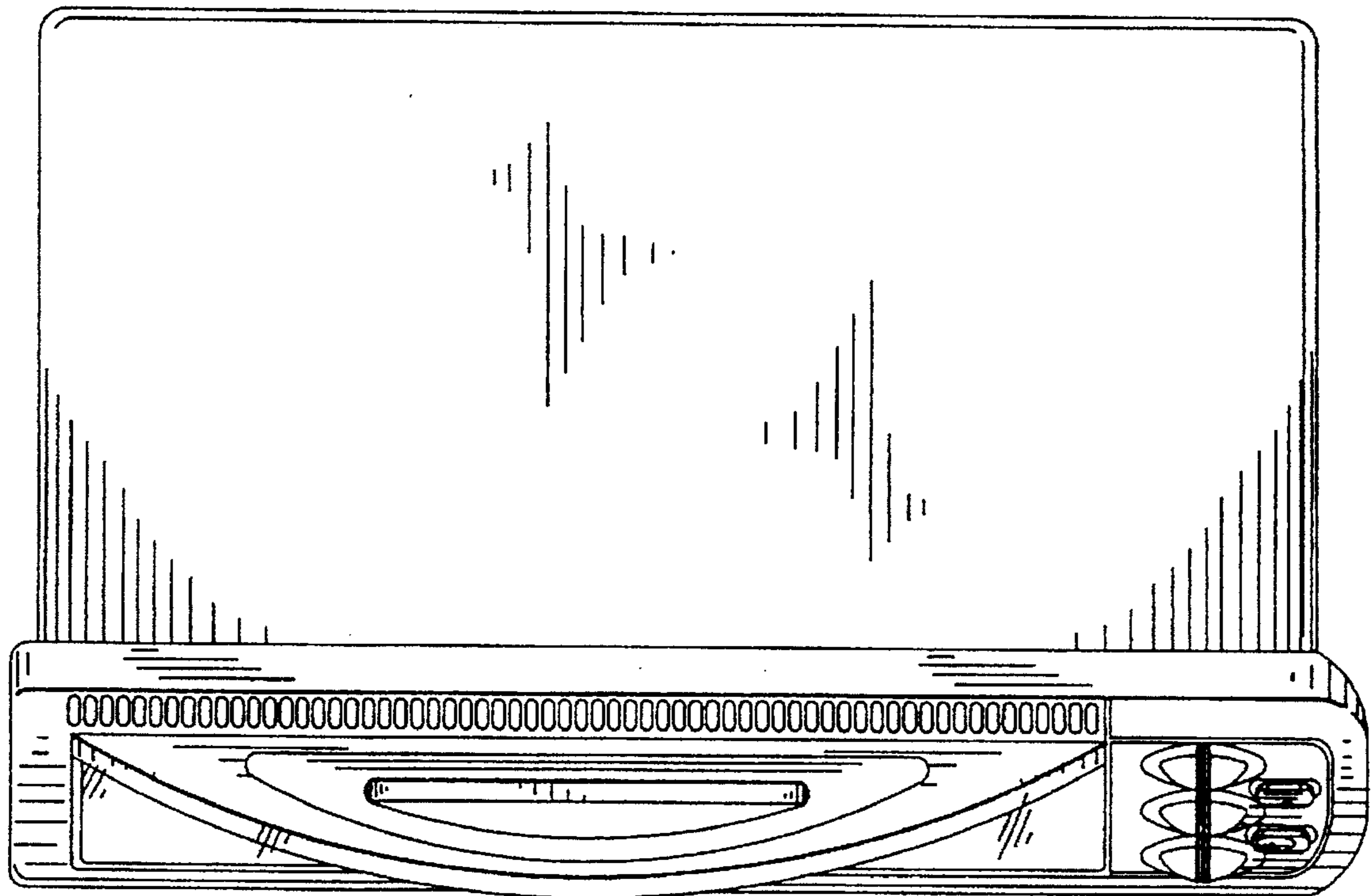


FIG. 7

