



US00D381859S

**United States Patent** [19]  
**Joergensen**

[11] **Patent Number: Des. 381,859**  
[45] **Date of Patent: \*\*Aug. 5, 1997**

[54] **WATER KETTLE**

[75] **Inventor: Carsten Joergensen, Kriens, Switzerland**

[73] **Assignee: PI-Design AG, Triengen, Switzerland**

[\*\*] **Term: 14 Years**

[21] **Appl. No.: 42,741**

[22] **Filed: Aug. 16, 1995**

[30] **Foreign Application Priority Data**

Feb. 16, 1995 [DK] Denmark ..... 149/94

[51] **LOC (6) Cl. .... 07-99**

[52] **U.S. Cl. .... D7/322; D7/321**

[58] **Field of Search .... D7/322, 300, 312, D7/313, 305, 301, 309; 222/465.1, 475.1**

[56] **References Cited**

**U.S. PATENT DOCUMENTS**

D. 95,621	5/1935	Zettler	.....	D7/321
D. 178,658	9/1956	Guild	.....	D7/321
D. 282,436	2/1986	Thorlow	.....	D7/322
D. 288,890	3/1987	Lebowitz	.....	D7/322
D. 308,315	6/1990	Ancona et al.	.....	D7/312 X
D. 343,759	2/1994	Jorgensen	.....	D7/316 X
D. 362,752	10/1995	Ancona et al.	.....	D7/322
D. 364,991	12/1995	Lee	.....	D7/322

**FOREIGN PATENT DOCUMENTS**

49303 3/1993 Japan ..... 222/475.1

**OTHER PUBLICATIONS**

Copco Brewer (top, left), HFD p. 110, Jan. 16, 1989.  
Electric Boiler, Hong Kong Enterprise vol. 9 1980 p. 142.  
Kanne "Skorpion" Golschmied Zeitung p. 50 Jan. 1989.  
Teapot (top) Schonerwohnew Sep. 1988, p. 66.

*Primary Examiner*—M. N. Pandozzi  
*Attorney, Agent, or Firm*—Merchant, Gould, Smith, Edell, Welter & Schmidt, P.A.

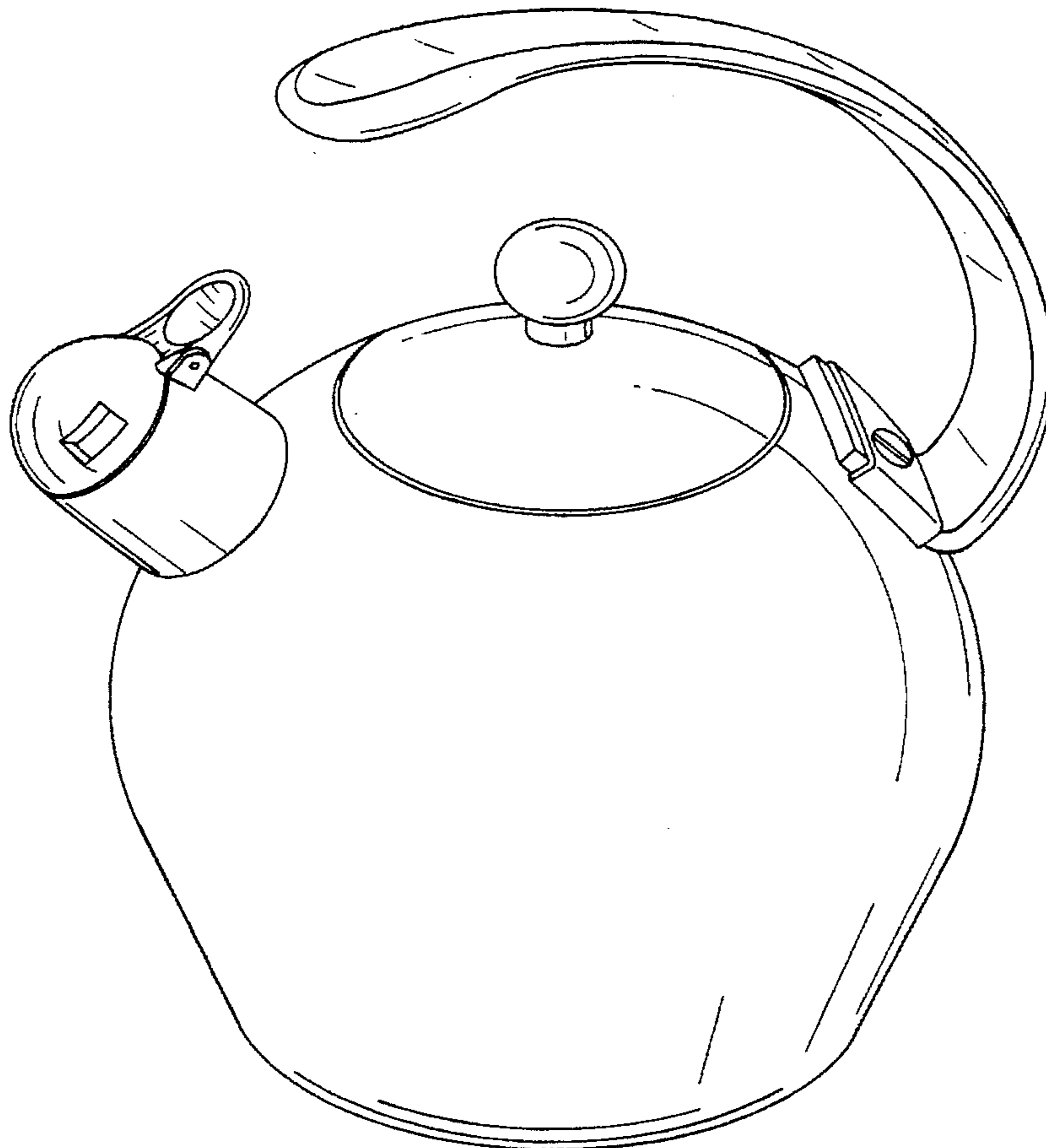
[57] **CLAIM**

The ornamental design for a water kettle, as shown and described.

**DESCRIPTION**

FIG. 1 is an oblique perspective view of the water kettle; FIG. 2 is a right side of the water kettle, as shown in FIG. 1; FIG. 3 is a left side view of the water kettle; FIG. 4 is a front side view of the water kettle; FIG. 5 is a back side view of the water kettle; FIG. 6 is a top view of the water kettle; and, FIG. 7 is a bottom view of the water kettle.

**1 Claim, 7 Drawing Sheets**



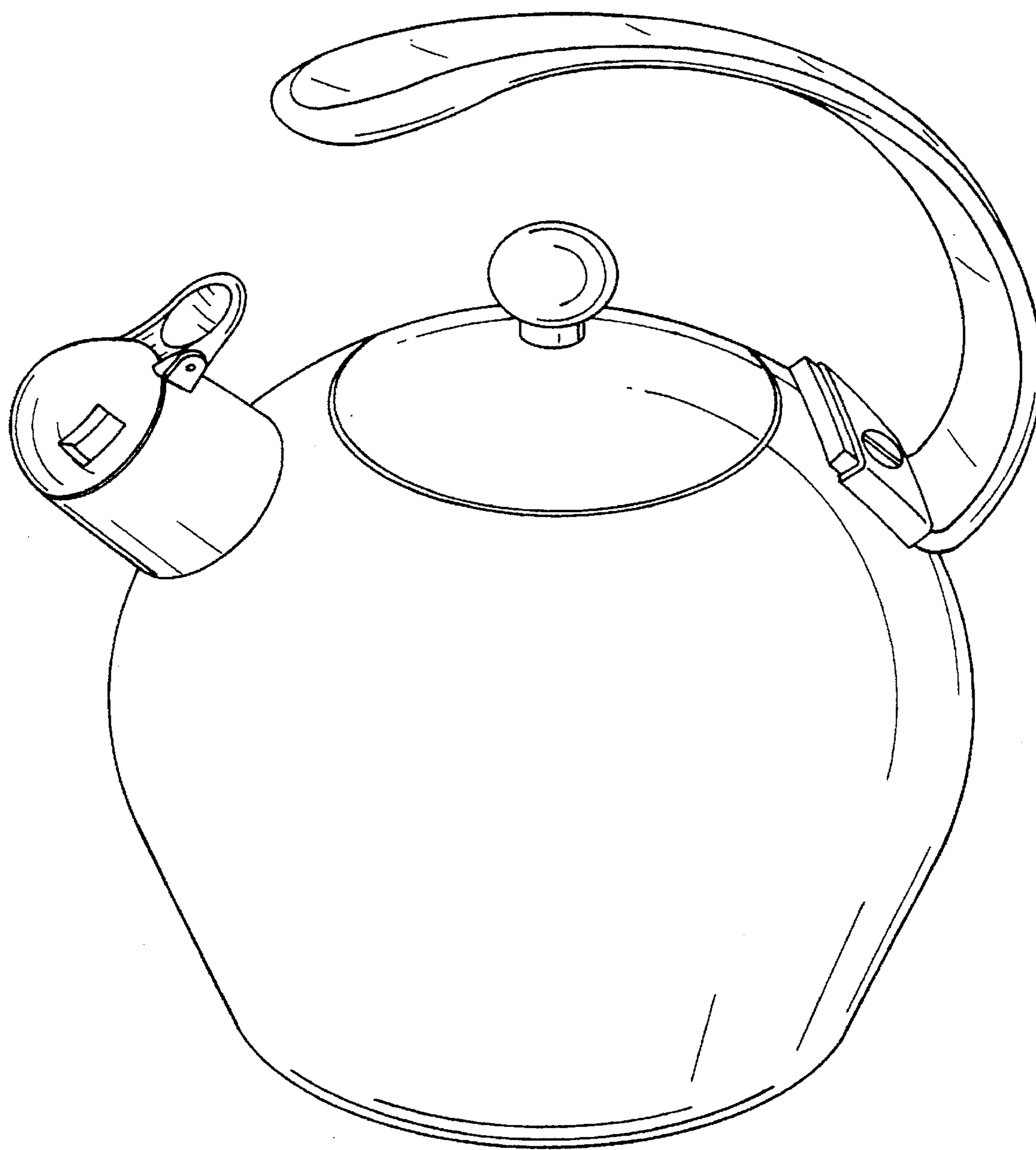


FIG. 1

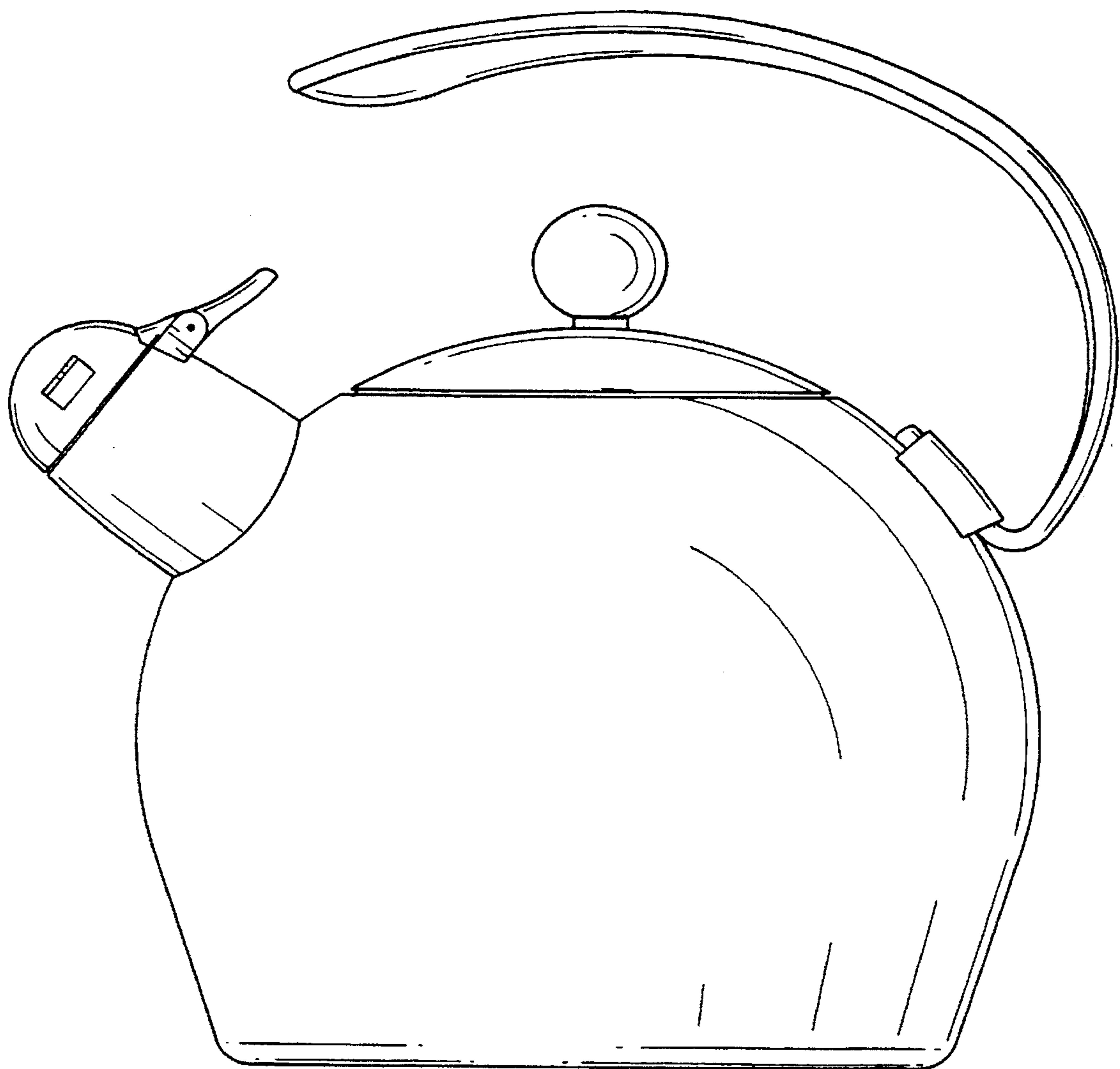


FIG. 2

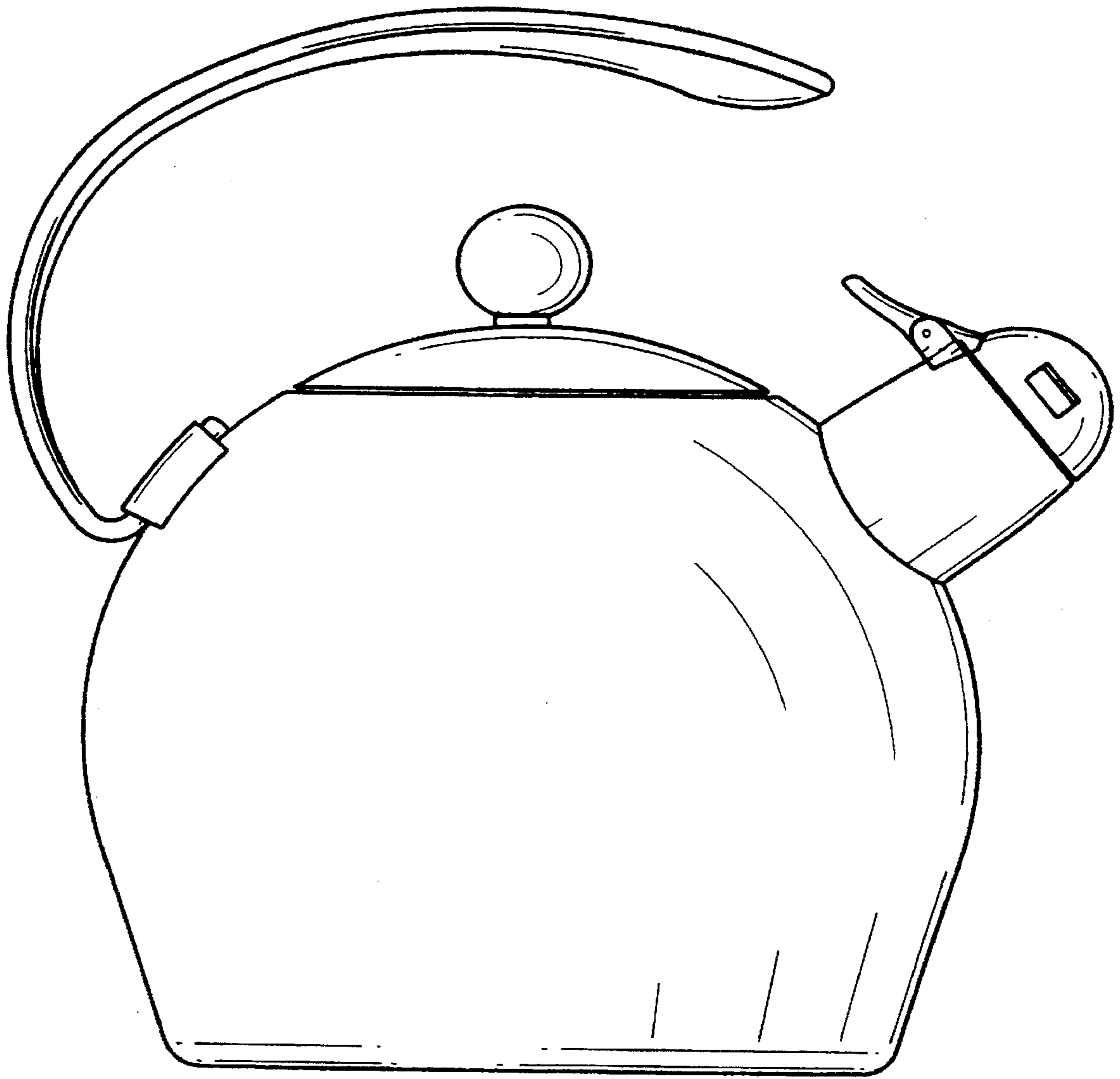


FIG. 3



FIG. 4

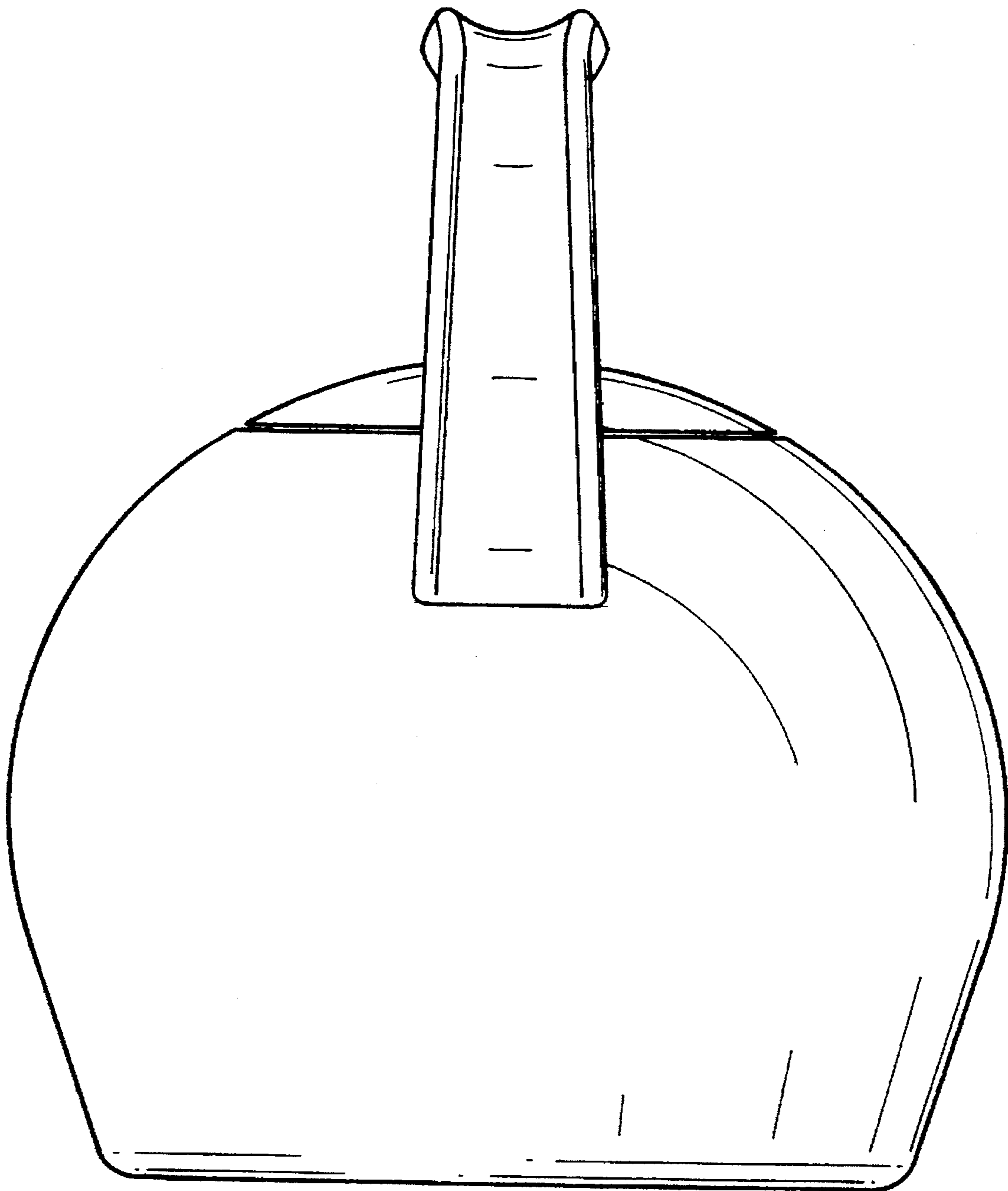


FIG. 5

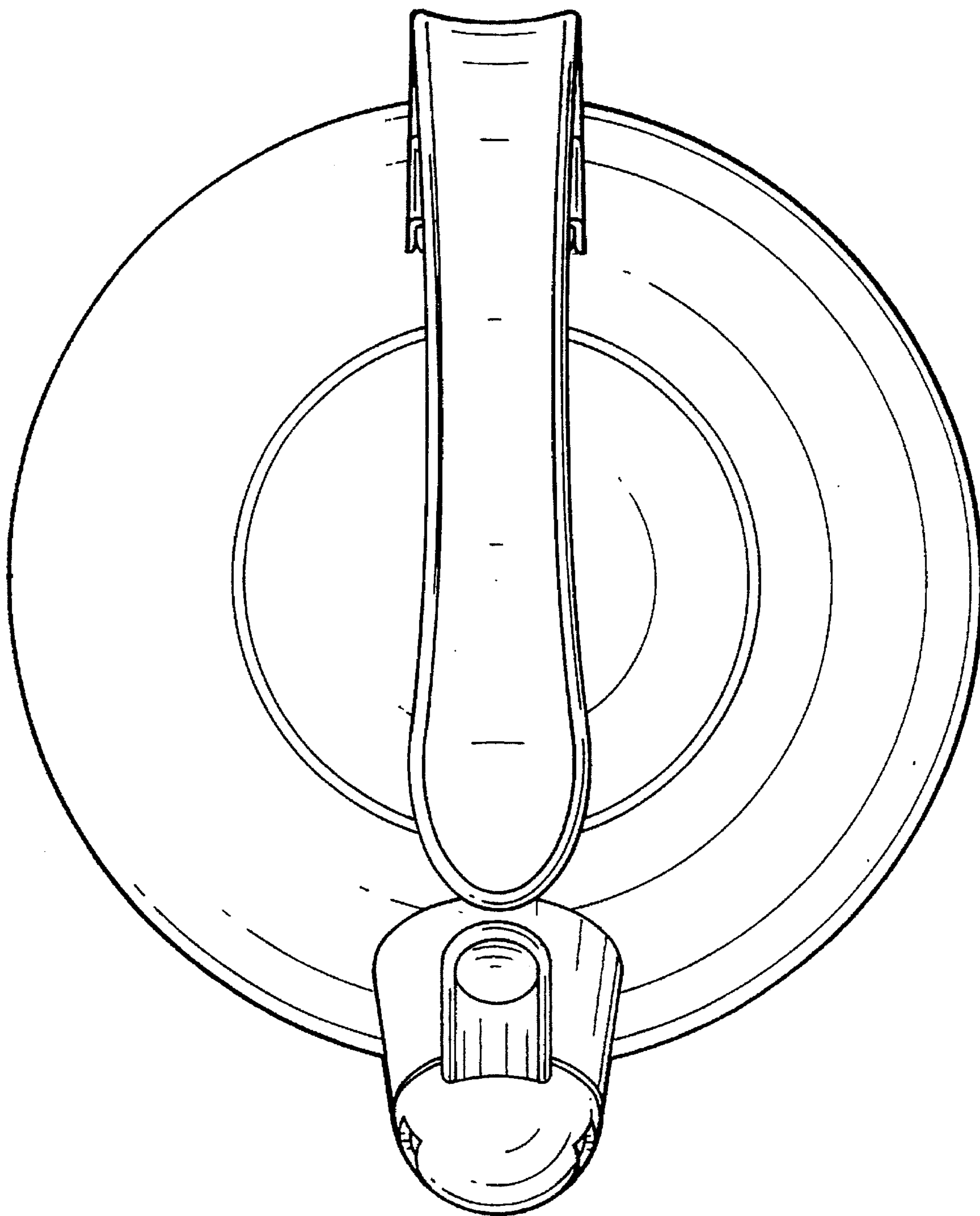


FIG. 6

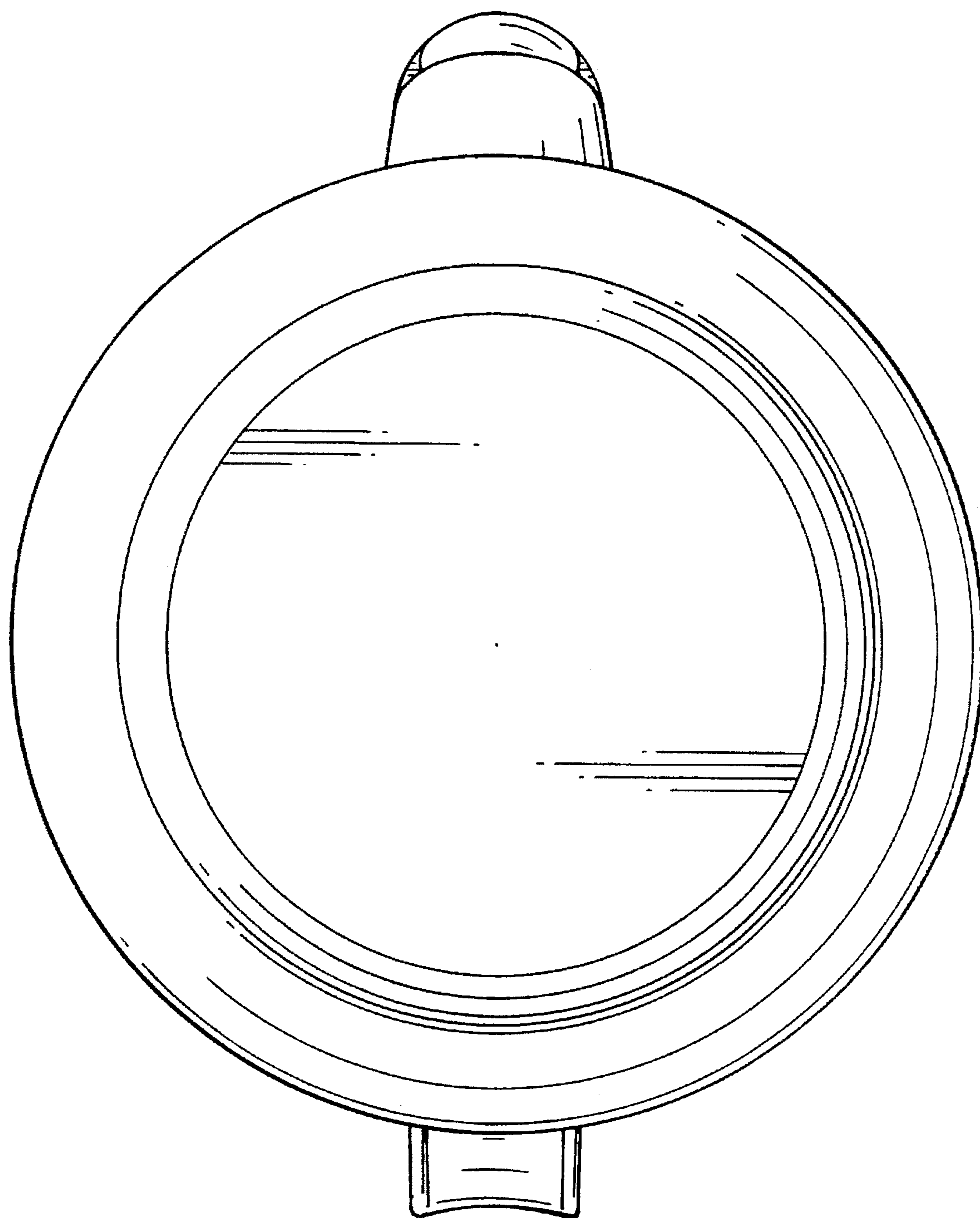


FIG. 7