

US00D381855S

United States Patent [19]
Galick

[11] **Patent Number:** **Des. 381,855**
[45] **Date of Patent:** ****Aug. 5, 1997**

[54] **PILLOW**

4,754,513 7/1988 Rinz 5/636 X

[76] **Inventor:** **Jennifer L. Galick**, P.O. Box 35,
Whitehall, N.Y. 12887

FOREIGN PATENT DOCUMENTS

2148111 10/1984 United Kingdom 5/636

[**] **Term:** **14 Years**

Primary Examiner—Janice E. Seeger
Attorney, Agent, or Firm—Harpman & Harpman

[21] **Appl. No.:** **47,751**

[57] **CLAIM**

[22] **Filed:** **Dec. 12, 1995**

The ornamental design for a pillow, as shown and described.

[51] **LOC (6) Cl.** **06-09**

DESCRIPTION

[52] **U.S. Cl.** **D6/601; D6/596**

FIG. 1 is a front, top and side perspective view of the pillow embodying the design of the present invention;
FIG. 2 is a front elevational view thereof;
FIG. 3 is a rear elevational view thereof;
FIG. 4 is a side elevational view thereof, the opposite side elevational view being identical thereto;
FIG. 5 is a top plan view thereof; and,
FIG. 6 is a bottom plan view thereof.

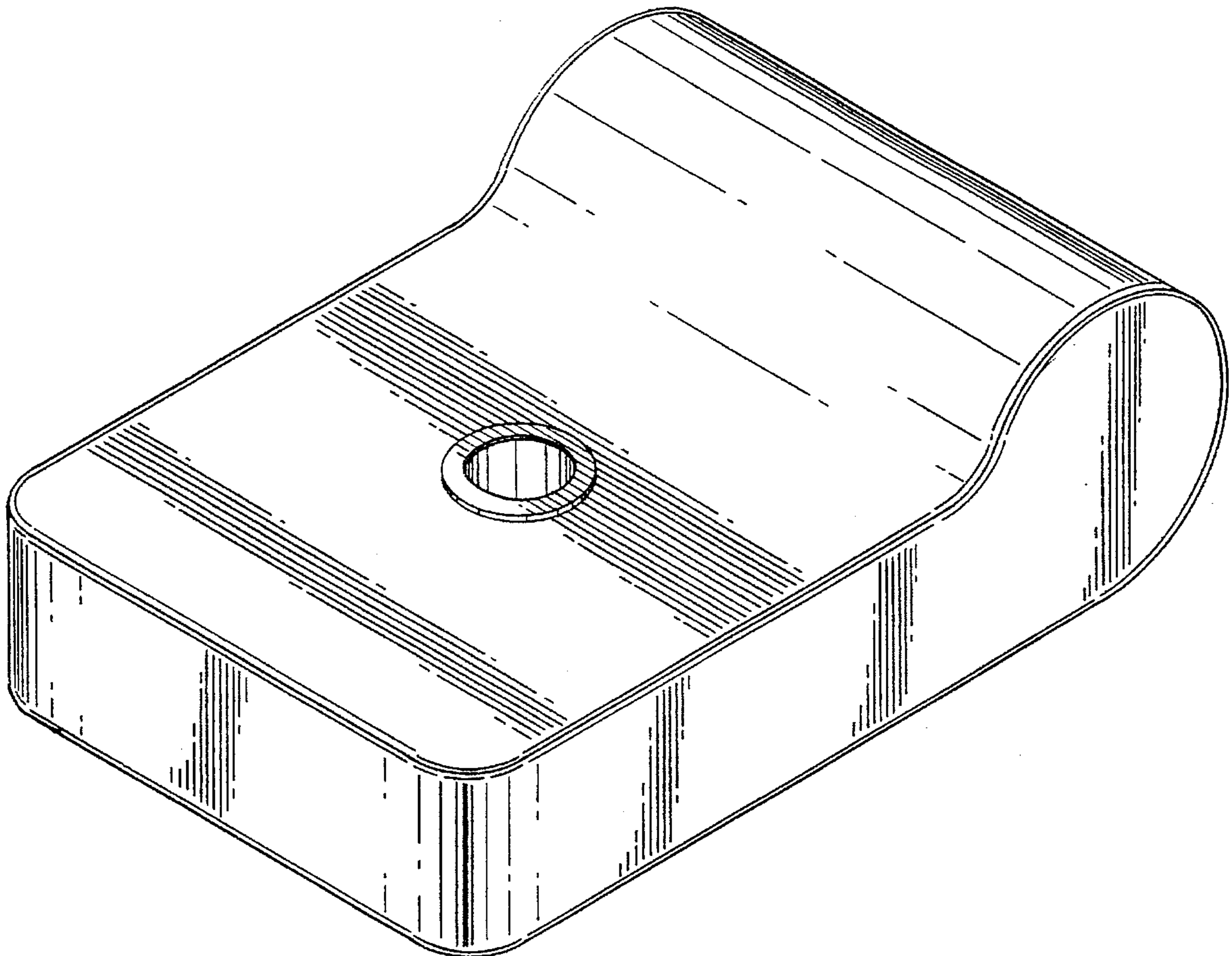
[58] **Field of Search** D6/595-597, 599-604,
D6/611; 5/636-638, 652, 653, 654, 655.3,
656, 706, 710; 297/452.21, 452.22, 452.23,
452.24, 452.26, 452.48, 452.61

[56] **References Cited**

U.S. PATENT DOCUMENTS

25,786 7/1859 Stoll D6/604 X
D. 299,297 1/1989 Prager D6/601
2,521,780 9/1950 Dodd 5/636 X

1 Claim, 3 Drawing Sheets



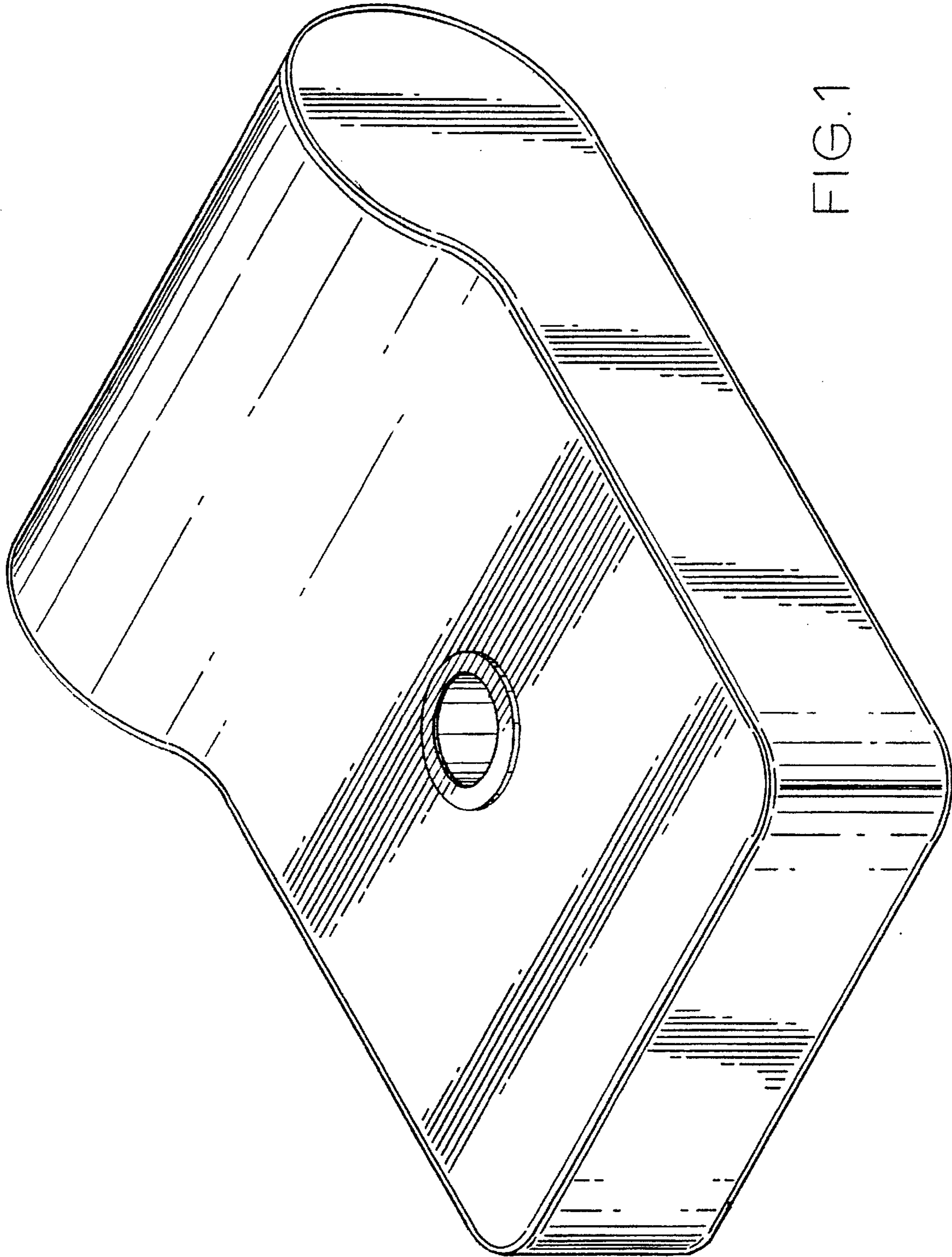


FIG. 1

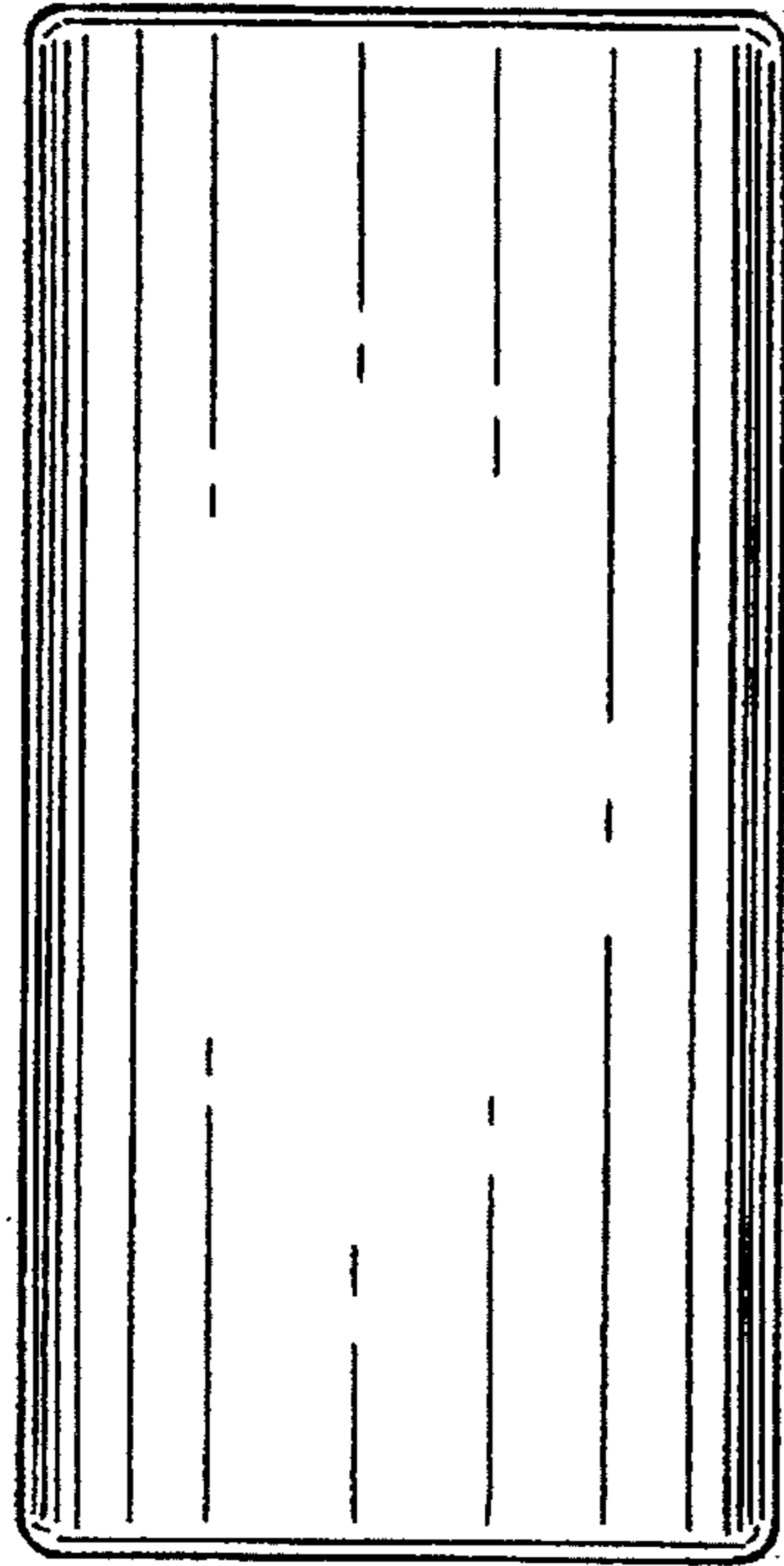


FIG. 3

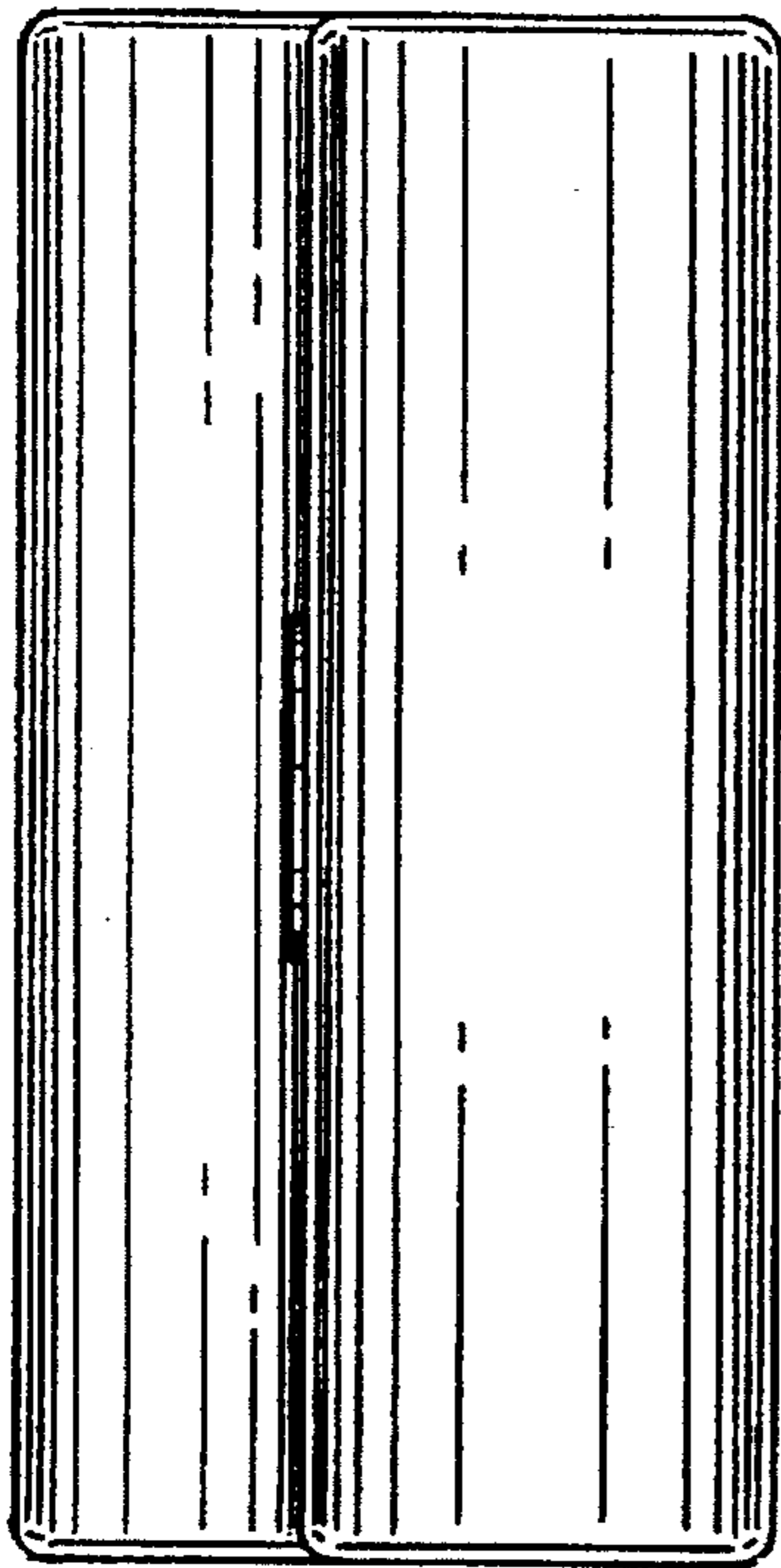


FIG. 2

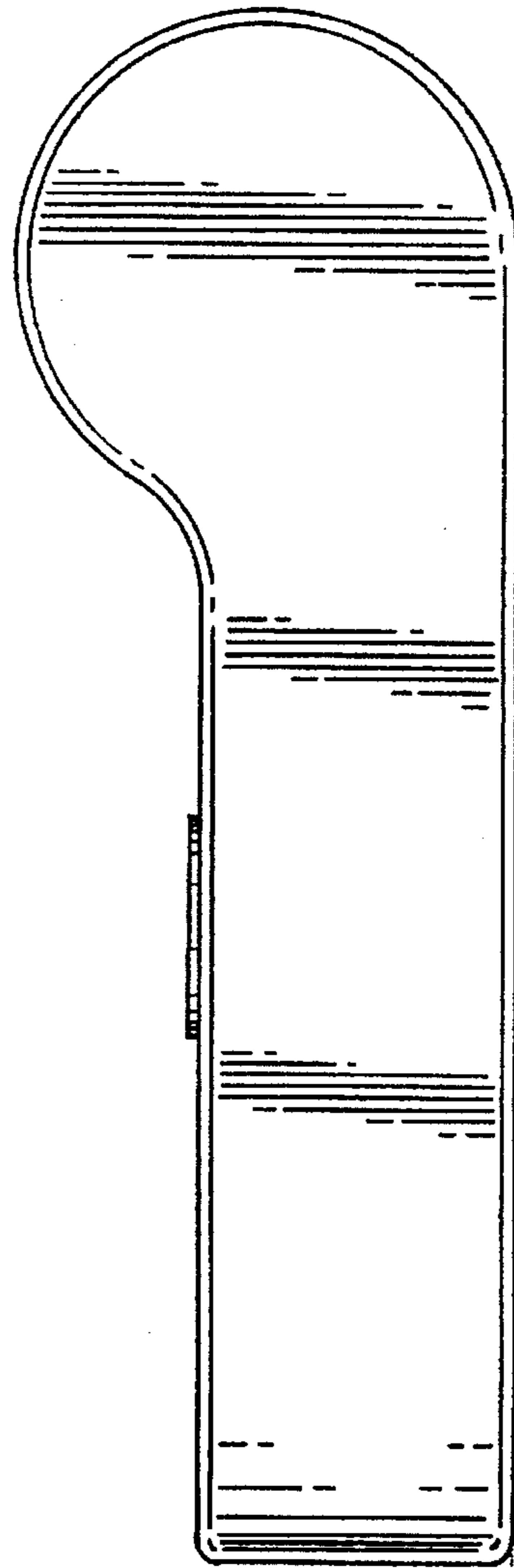


FIG. 4

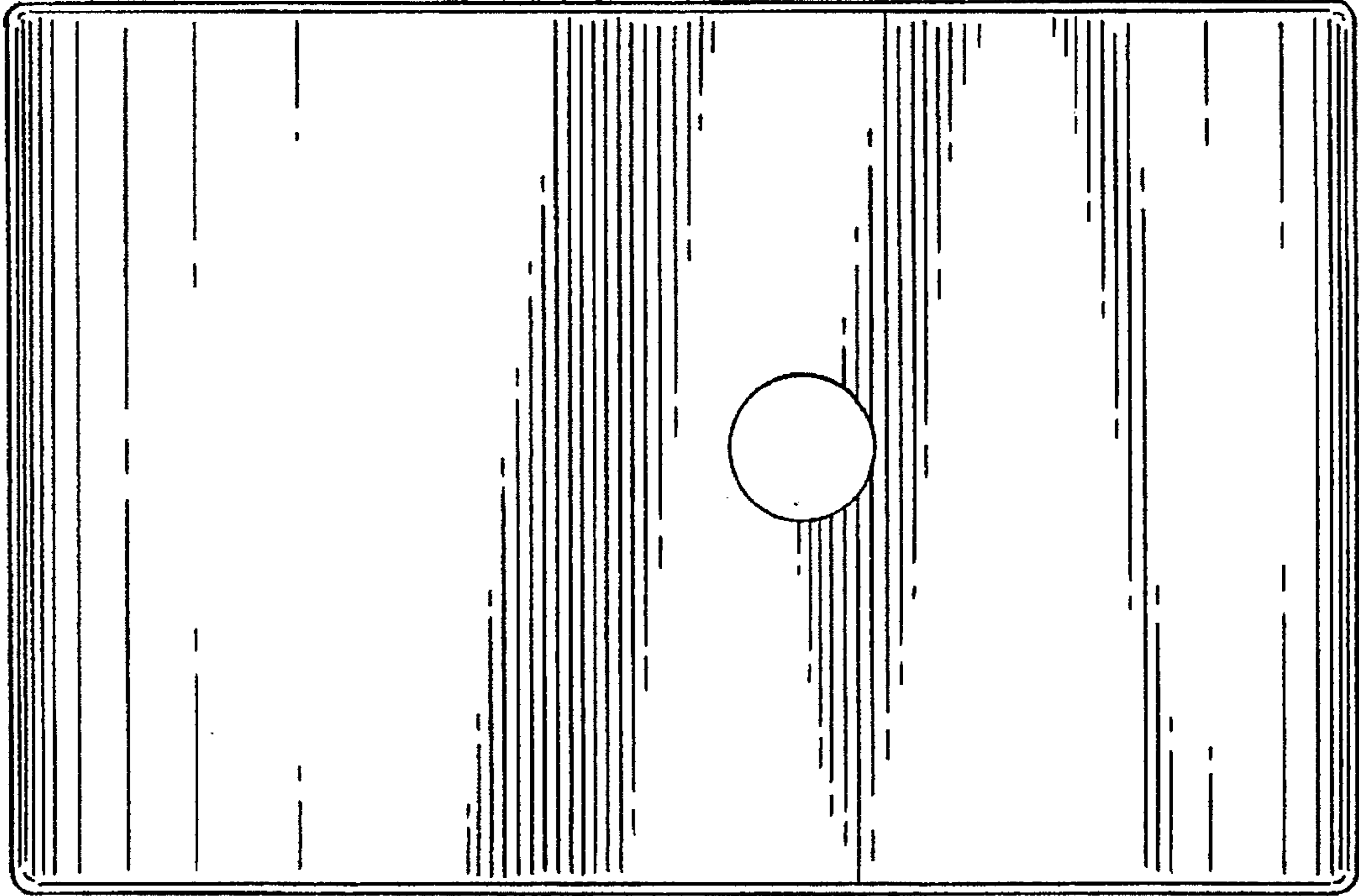


FIG. 6

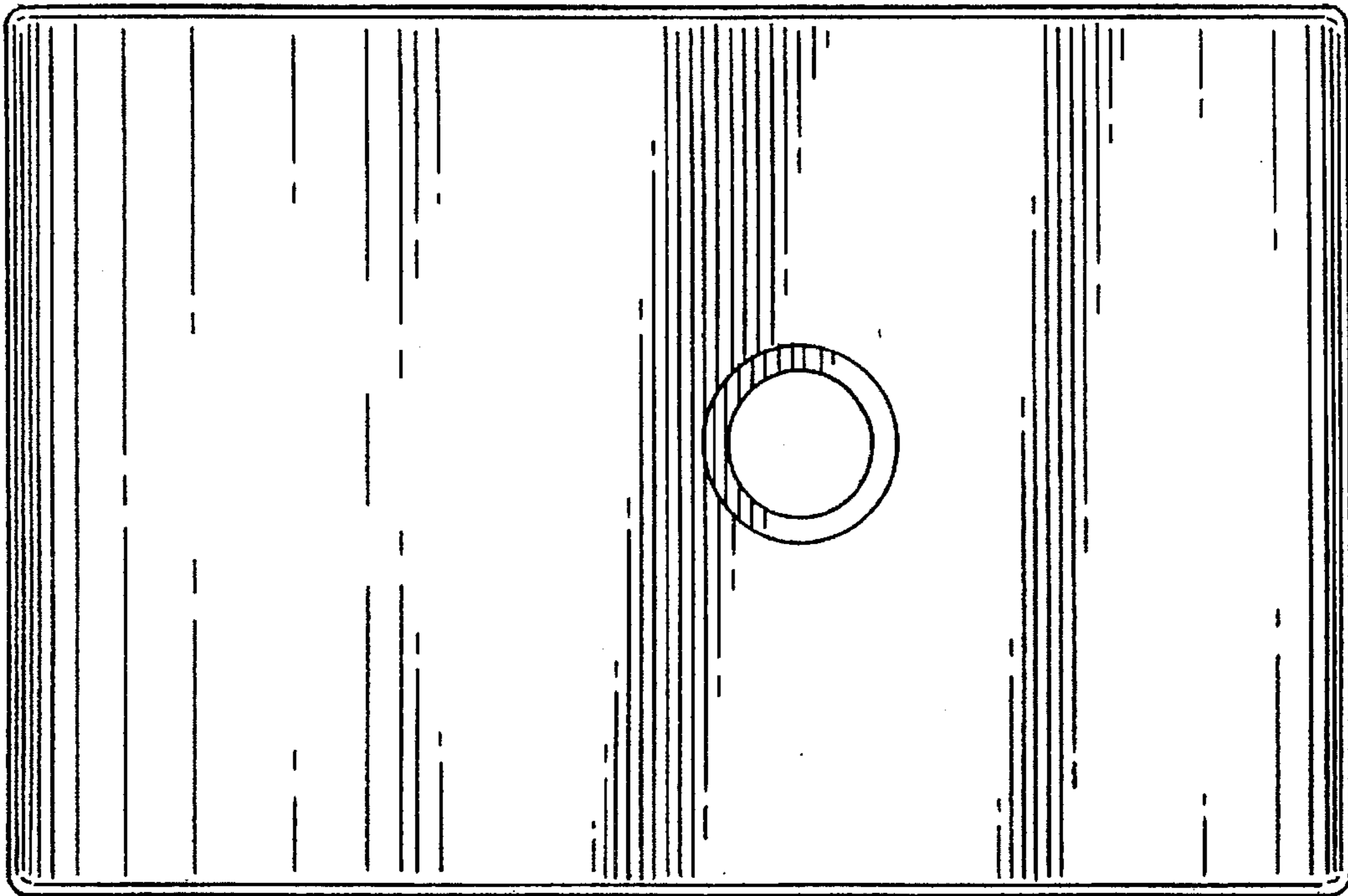


FIG. 5