



US00D381854S

# United States Patent [19]

Moeller et al.

[11] Patent Number: **Des. 381,854**

[45] Date of Patent: **\*\*Aug. 5, 1997**

[54] **COMBINATION DRINKING GLASS AND WINE GLASS RACK**

[75] Inventors: **Jens Peter Moeller**, Odensen No.;  
**Henrik Holbaek**; **Claus Jensen**, both  
of Copenhagen, all of Denmark

[73] Assignee: **ScanWood**, Rysling, Denmark

[\*\*] Term: **14 Years**

[21] Appl. No.: **41,335**

[22] Filed: **Jul. 12, 1995**

### [30] Foreign Application Priority Data

Feb. 15, 1995 [DE] Germany ..... M9501217.6

[51] LOC (6) Cl. .... **07-06**

[52] U.S. Cl. .... **D6/566; D7/704**

[58] Field of Search ..... D6/512, 513, 514,  
D6/553, 566, 569; D7/701-708, 620; 211/74,  
86, 90, 94, 94.5

### [56] References Cited

#### U.S. PATENT DOCUMENTS

D. 267,914	2/1983	Lin	.....	D6/113
D. 308,924	7/1990	Van Noord	.....	D6/513
383,092	5/1888	Baker	.	
1,925,540	9/1933	Neuschotz	.....	248/23
2,230,975	2/1941	Gratz	.....	312/113
2,515,293	7/1950	Carter	.....	D6/569 X

2,600,096	6/1952	Cooper et al.	.....	211/71
3,154,196	10/1964	Loska et al.	.....	211/71
3,214,031	10/1965	McCauley	.....	211/71
4,589,556	5/1986	Peretz	.....	211/41
4,700,849	10/1987	Wagner	.....	211/71

#### FOREIGN PATENT DOCUMENTS

M9501217.6 4/1995 Germany .

#### OTHER PUBLICATIONS

Lillian Vernon, p. 62, Stemware Rack.

*Primary Examiner*—Terry A. Wallace  
*Attorney, Agent, or Firm*—Olive & Olive, P.A.

### [57] CLAIM

The ornamental design for a combination drinking glass and wine glass rack, as shown and described.

#### DESCRIPTION

FIG. 1 is a perspective view of a combination drinking glass and wine glass rack showing our new design, the glasses shown in broken lines are for illustrative purposes only and form no part of the claimed design;

FIG. 2 is a top plan view thereof;

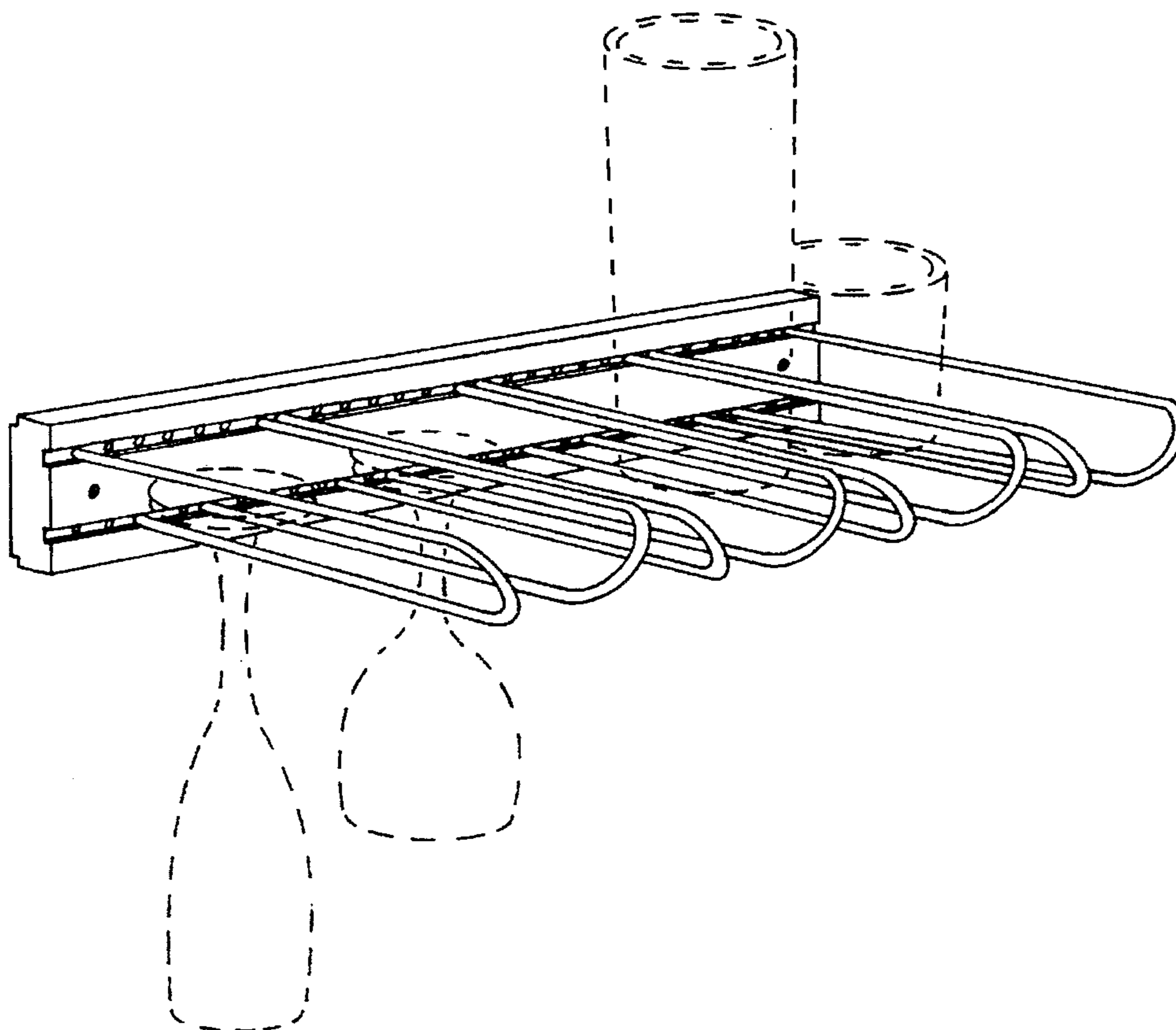
FIG. 3 is a bottom plan view thereof;

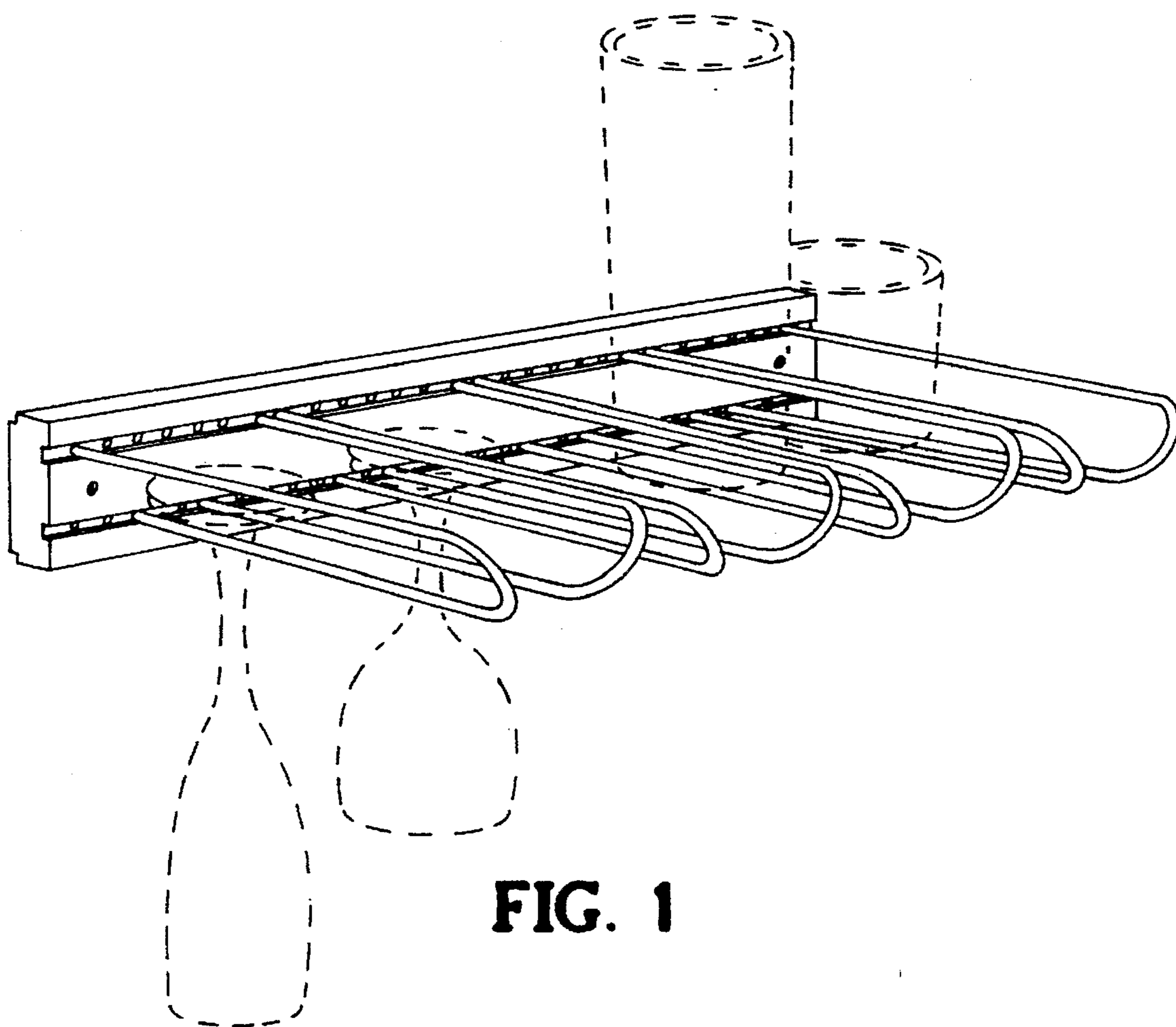
FIG. 4 is a front elevation view thereof;

FIG. 5 is a rear elevation view thereof; and,

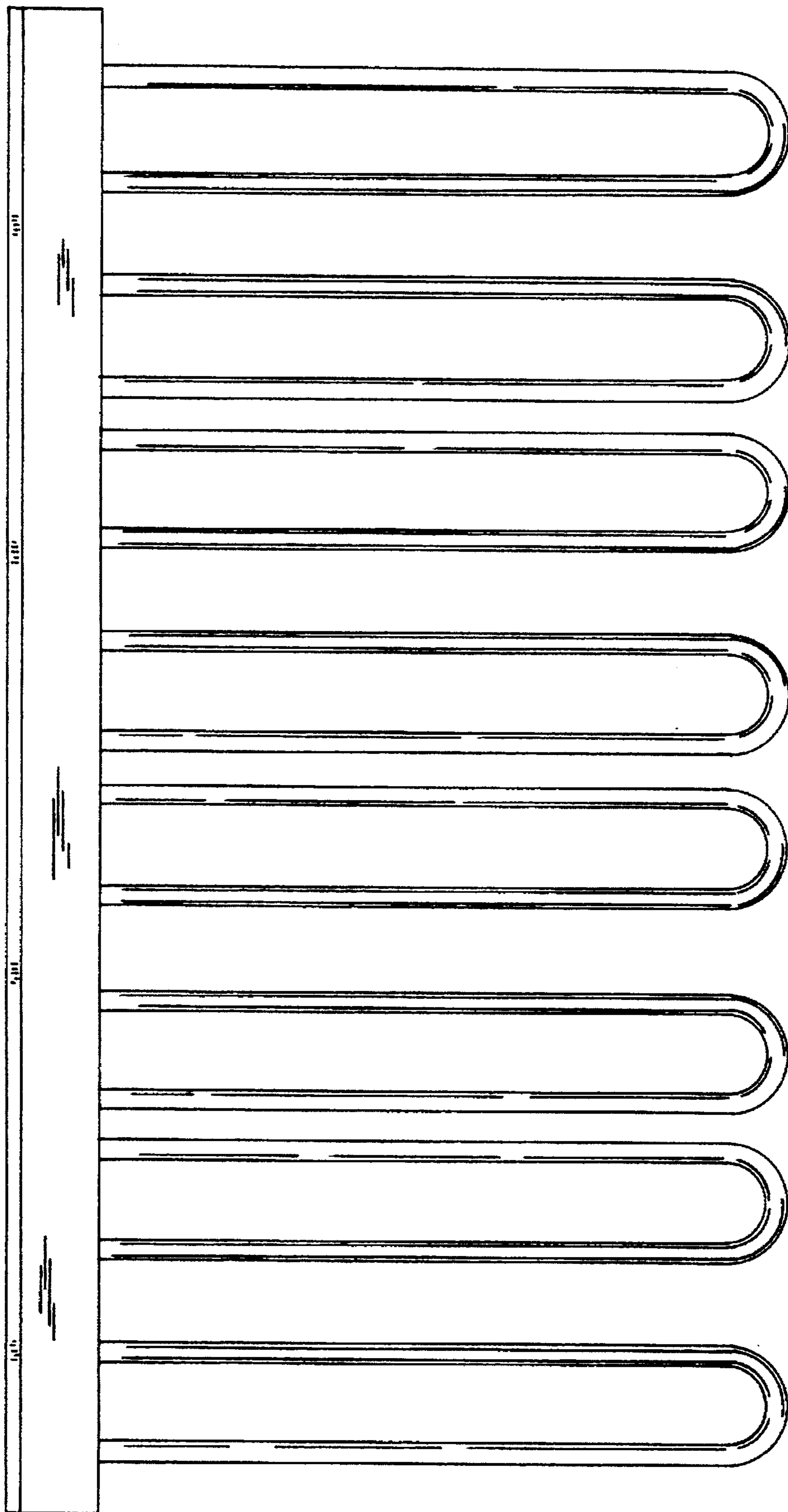
FIG. 6 is a left side elevation view thereof, the opposite side being identical.

**1 Claim, 4 Drawing Sheets**

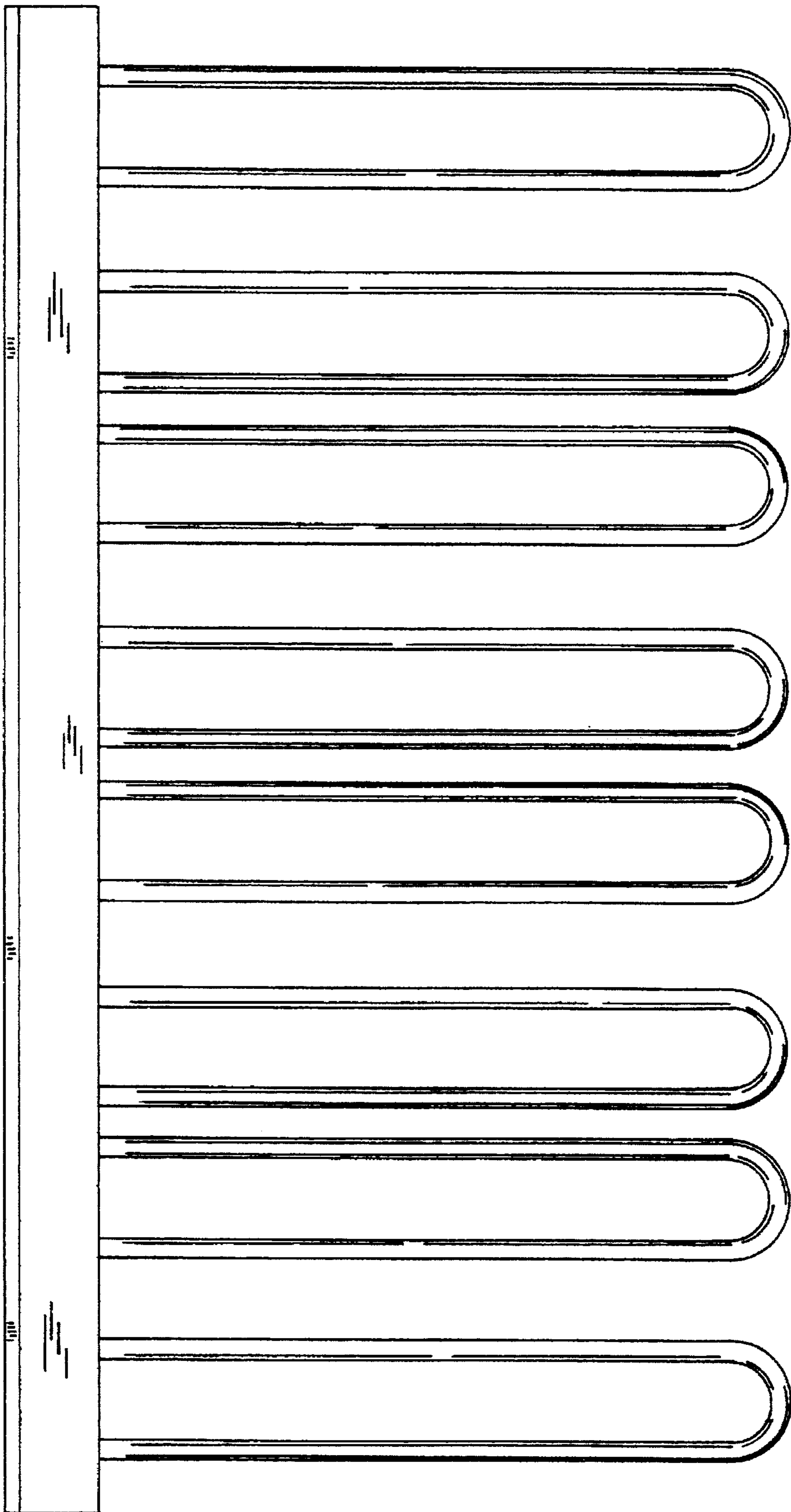




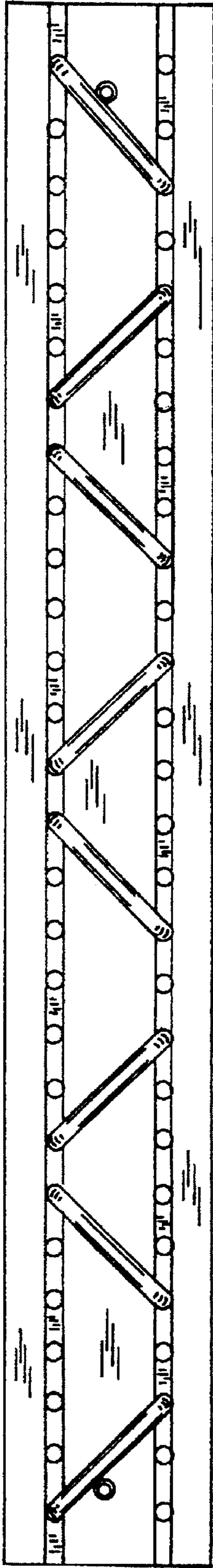
**FIG. 1**



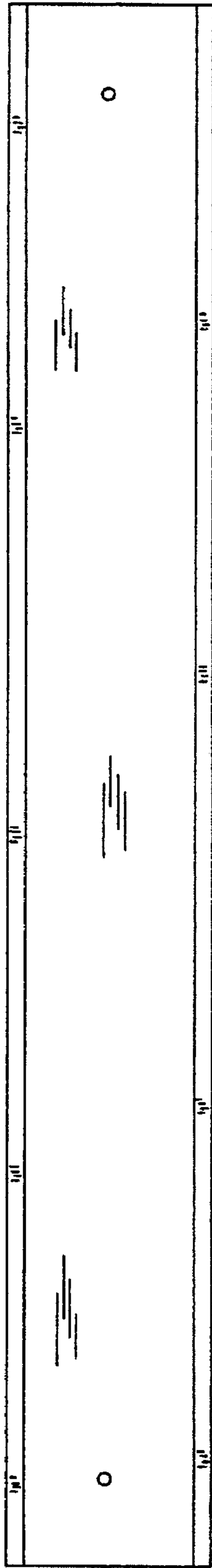
**FIG. 2**



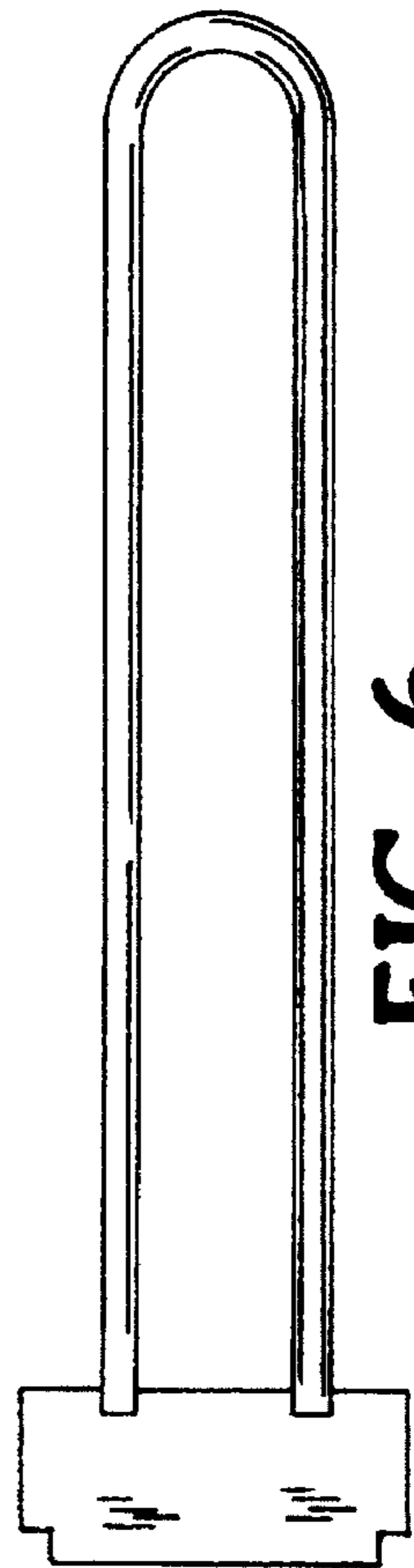
**FIG. 3**



**FIG. 4**



**FIG. 5**



**FIG. 6**