



US00D381852S

**United States Patent** [19]  
**Cardenas**

[11] **Patent Number: Des. 381,852**  
[45] **Date of Patent: \*\*Aug. 5, 1997**

[54] **HAND GUN RACK**

4,375,268 3/1983 Speck ..... 211/64

[76] **Inventor: John Cardenas, 339 W. Norman Ave.,  
Arcadia, Calif. 91007**

*Primary Examiner*—Brian N. Vinson  
*Attorney, Agent, or Firm*—Curtis L. Harrington

[\*\*] **Term: 14 Years**

[57] **CLAIM**

[21] **Appl. No.: 50,182**

The ornamental design for an hand gun rack, as shown and described.

[22] **Filed: Feb. 9, 1996**

**DESCRIPTION**

[51] **LOC (6) Cl. .... 06-02**

[52] **U.S. Cl. .... D6/552**

[58] **Field of Search** ..... D6/552, 566, 462,  
D6/463; D22/109; 211/64, 181

FIG. 1 is a top, front, and right side perspective view of a hand gun rack showing my new design, the broken-line disclosure of a handgun being for illustrative purposes only and forms no part of the claimed design;

FIG. 2 is a top plan view thereof;

FIG. 3 is a front elevational view thereof;

FIG. 4 is a bottom plan view thereof;

FIG. 5 is a right side elevational view thereof, the left side being a mirror image of that shown; and,

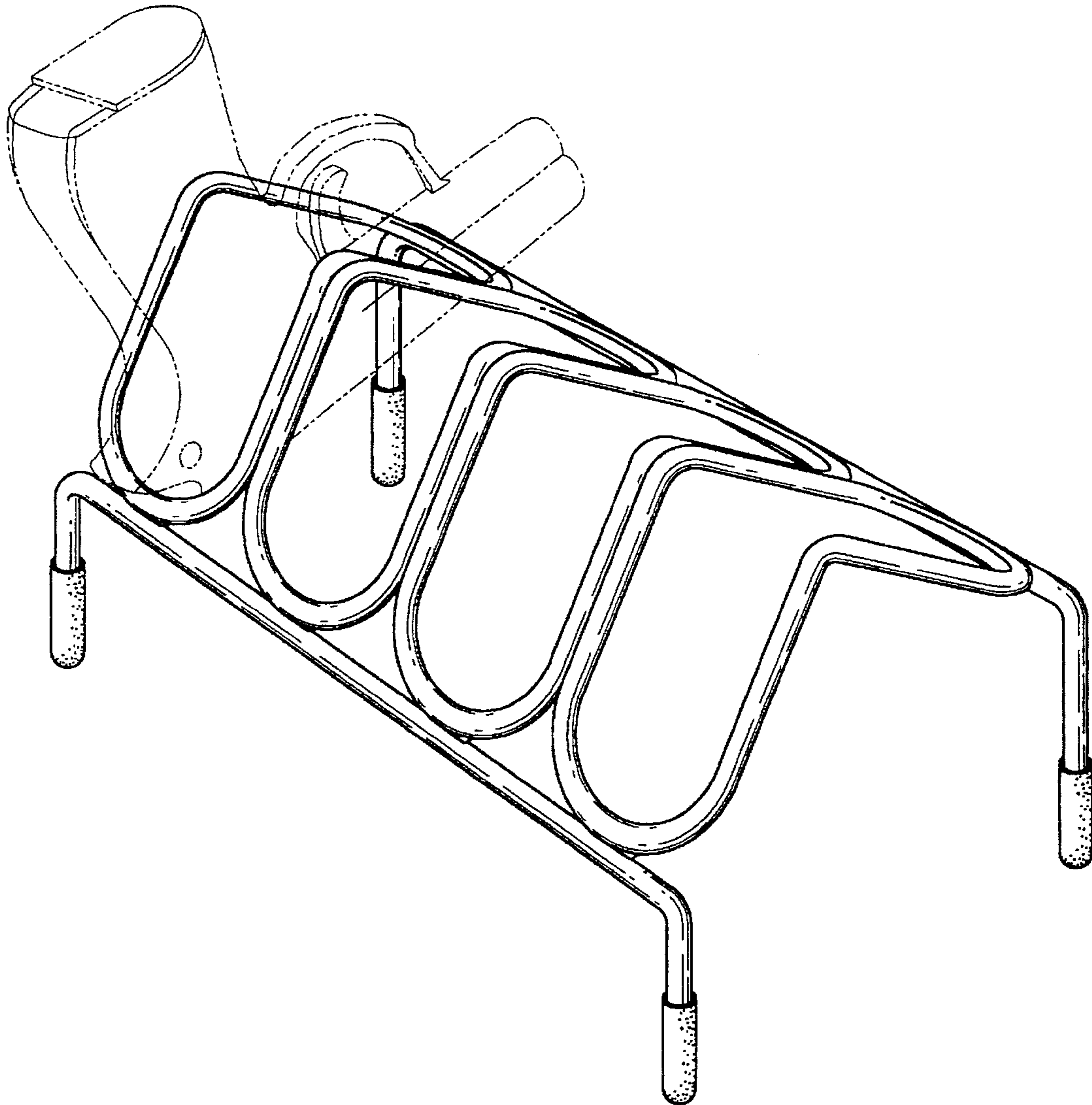
FIG. 6 is a rear elevational view thereof.

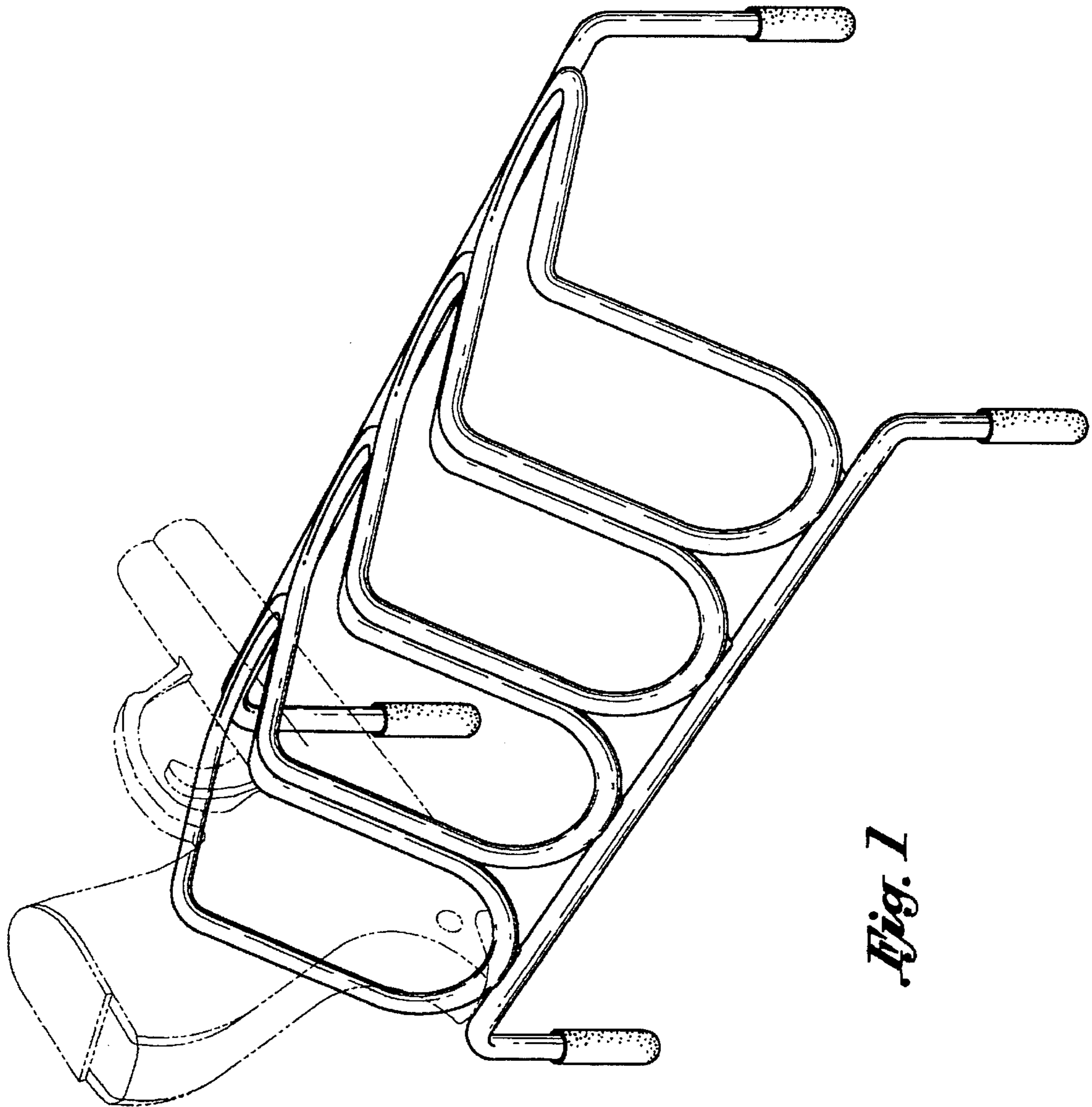
[56] **References Cited**

**U.S. PATENT DOCUMENTS**

- D. 299,199 1/1989 Rogowski ..... D6/552
- D. 324,951 3/1992 Narramore ..... D6/552
- D. 353,400 12/1994 Goodman et al. .... D6/462 X
- D. 365,717 1/1996 Cardenas ..... D6/552
- D. 372,616 8/1996 Cute ..... D6/552

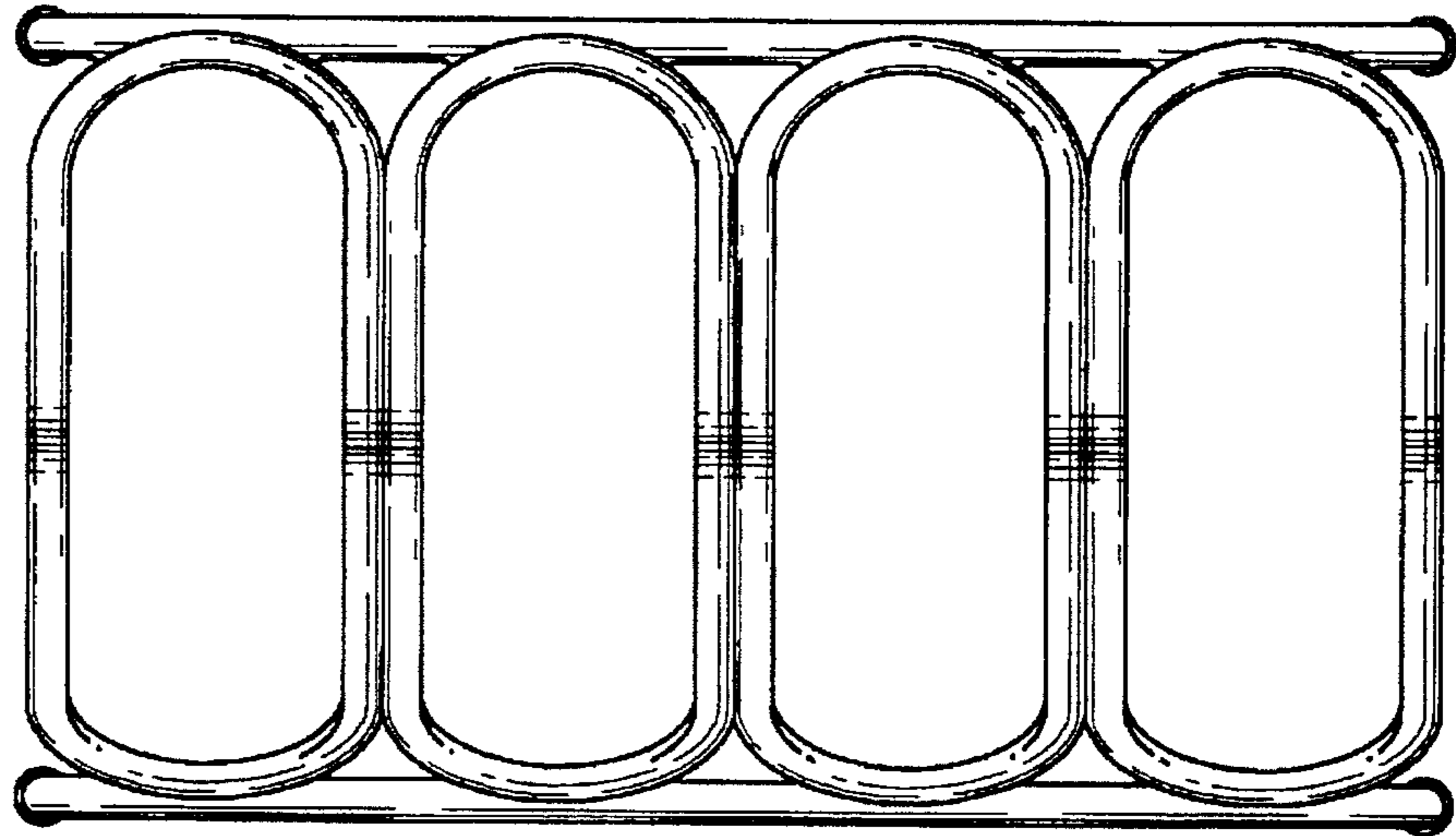
**1 Claim, 3 Drawing Sheets**



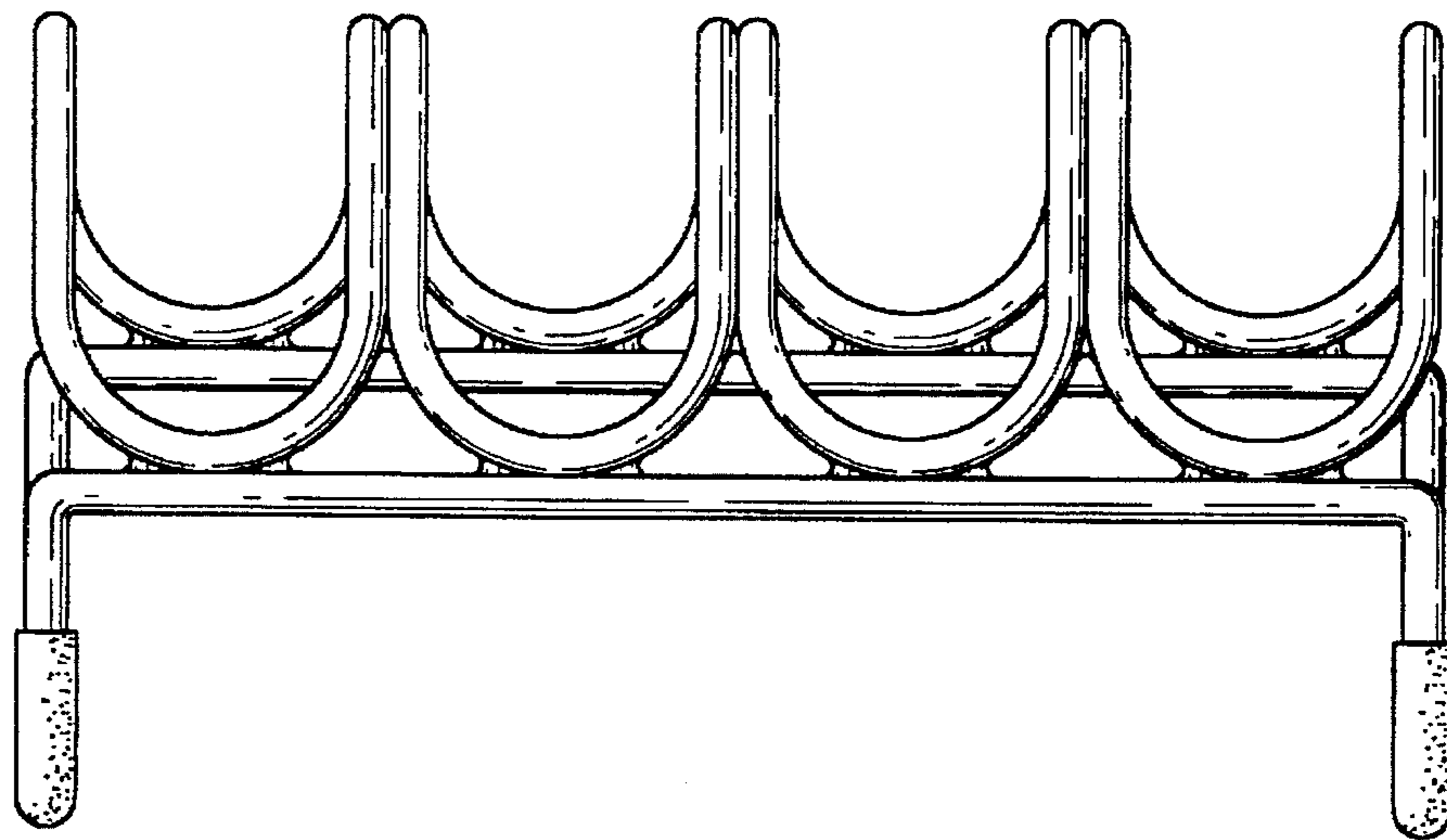


*Fig. 1*

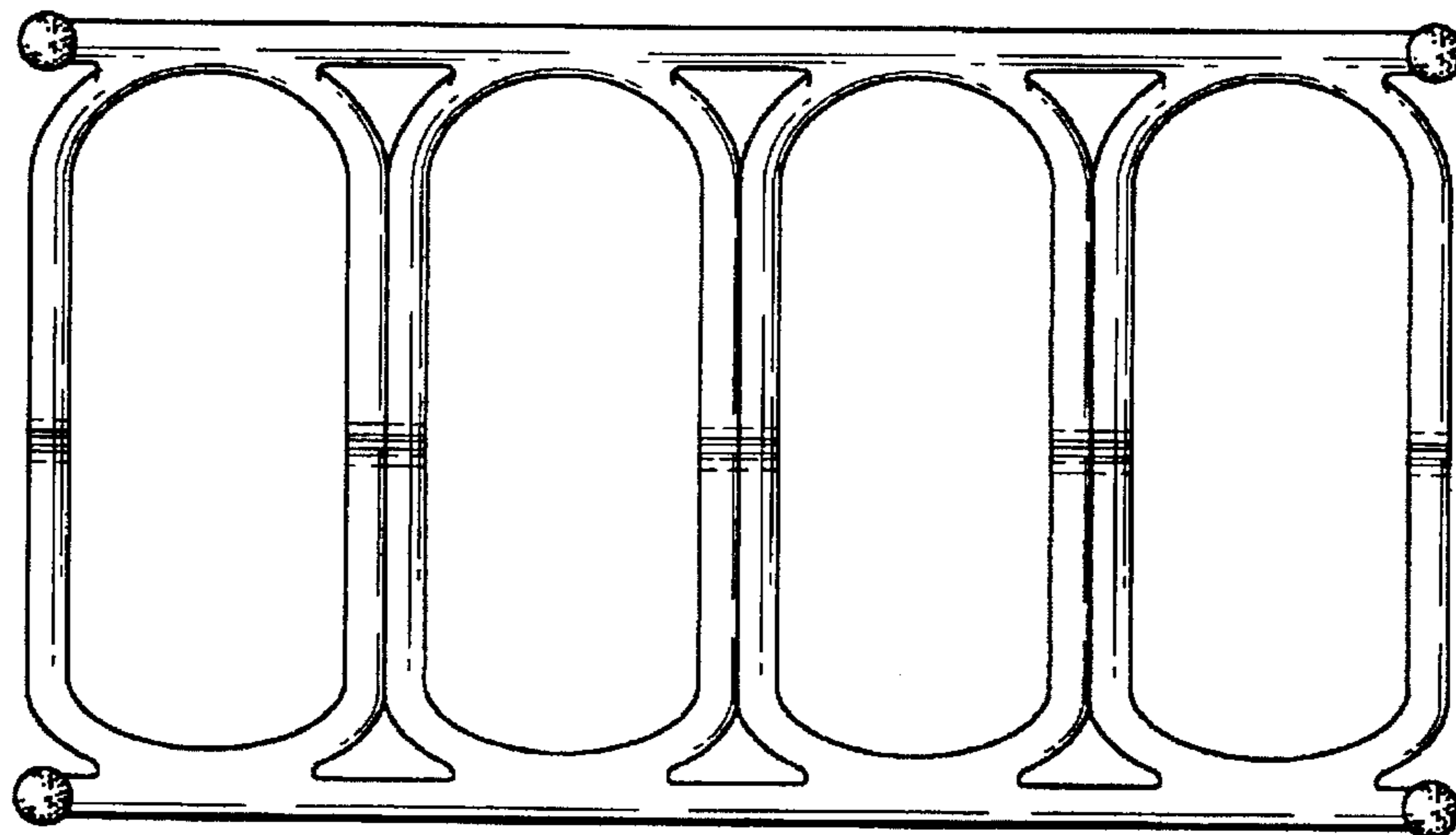
*Fig. 2*



*Fig. 3*

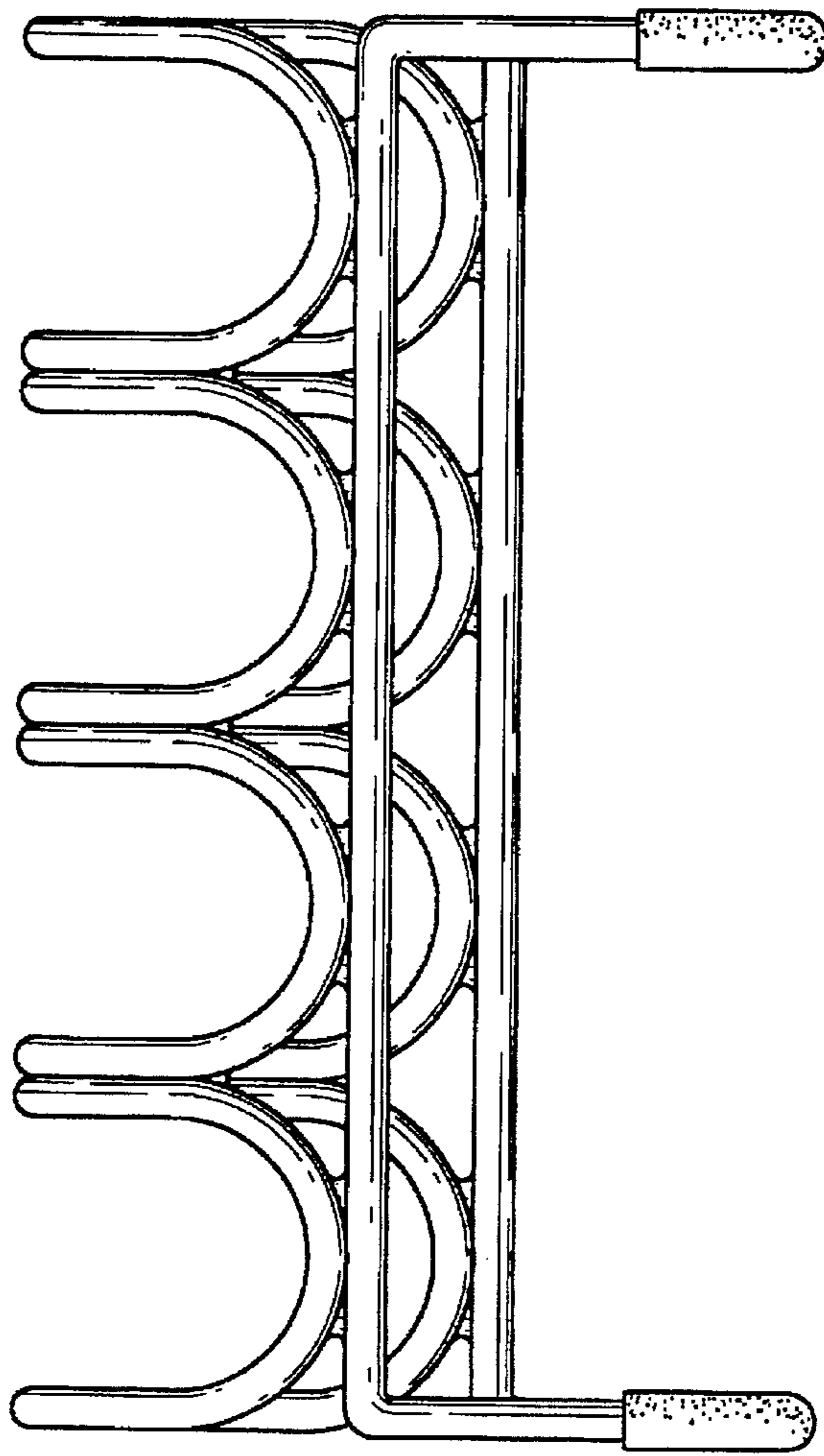


*Fig. 4*





*Fig. 6*



*Fig. 5*

