



US00D381845S

United States Patent [19]

Thomas

[11] Patent Number: **Des. 381,845**

[45] Date of Patent: ****Aug. 5, 1997**

[54] **TABLE BASE**

[76] Inventor: **Benjamin Thomas**, P.O. Box 446,
Kempsey 2240, N.S.W., Australia

[**] Term: **14 Years**

[21] Appl. No.: **30,351**

[22] Filed: **Jan. 6, 1995**

[51] LOC (6) Cl. **06-03**

[52] U.S. Cl. **D6/495; D6/482; D6/484**

[58] Field of Search **D6/480-489, 495-499;**
248/188, 188.1, 188.8; 108/153, 156, 161

[56] **References Cited**

U.S. PATENT DOCUMENTS

D. 252,063 6/1979 Montague D6/484

FOREIGN PATENT DOCUMENTS

9303765 11/1993 Germany D6/480

OTHER PUBLICATIONS

Metropolis, Oct. 1990, Walking Coffee Table.

Primary Examiner—Janice E. Seeger

[57] **CLAIM**

The ornamental design for a table base, as shown and described.

DESCRIPTION

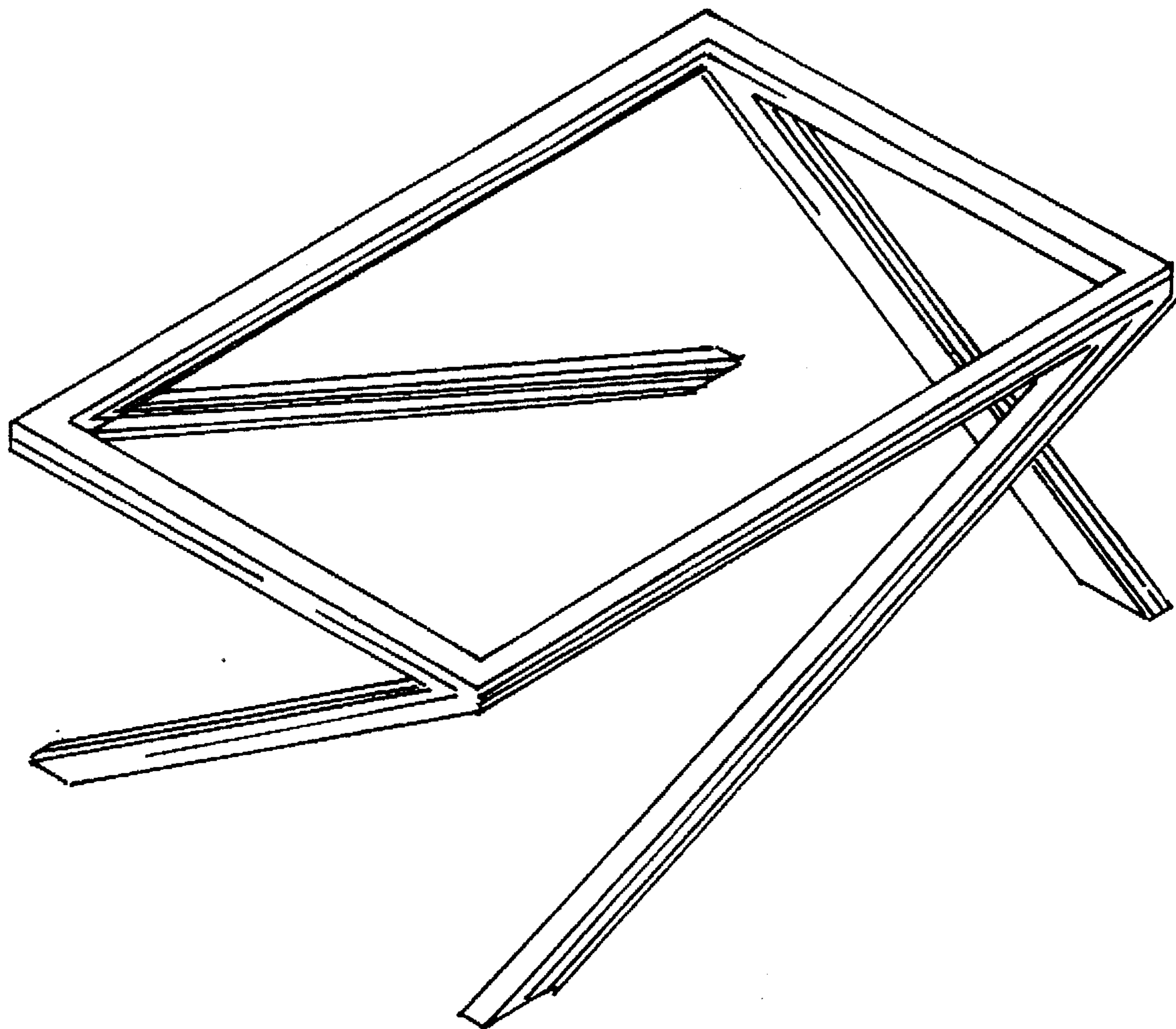
FIG. 1 is a top plan view of a table base, showing my new design;

FIG. 2 is a front elevational view;

FIG. 3 is a side elevational view; and,

FIG. 4 is a perspective thereof.

1 Claim, 1 Drawing Sheet



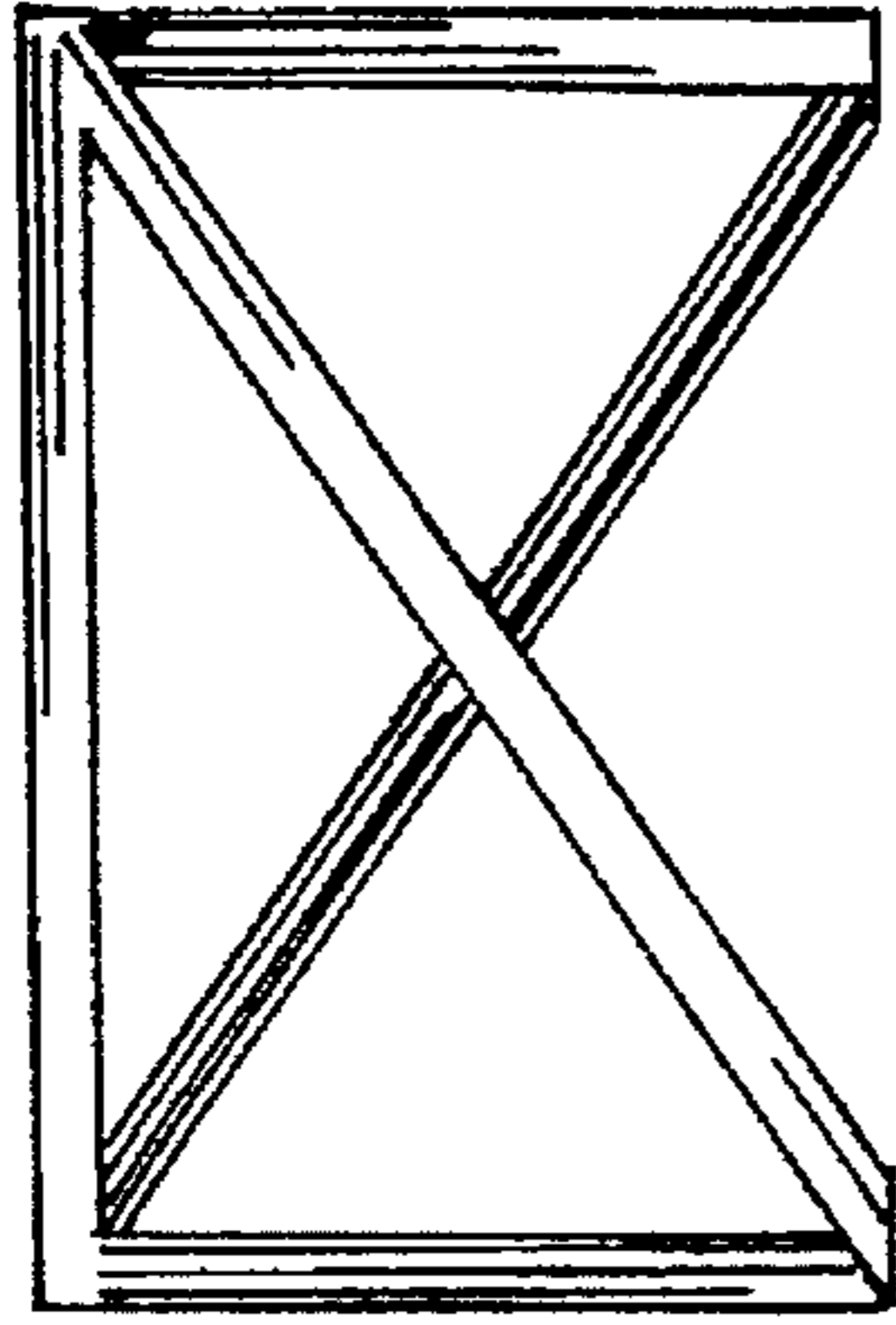


FIG. 3.

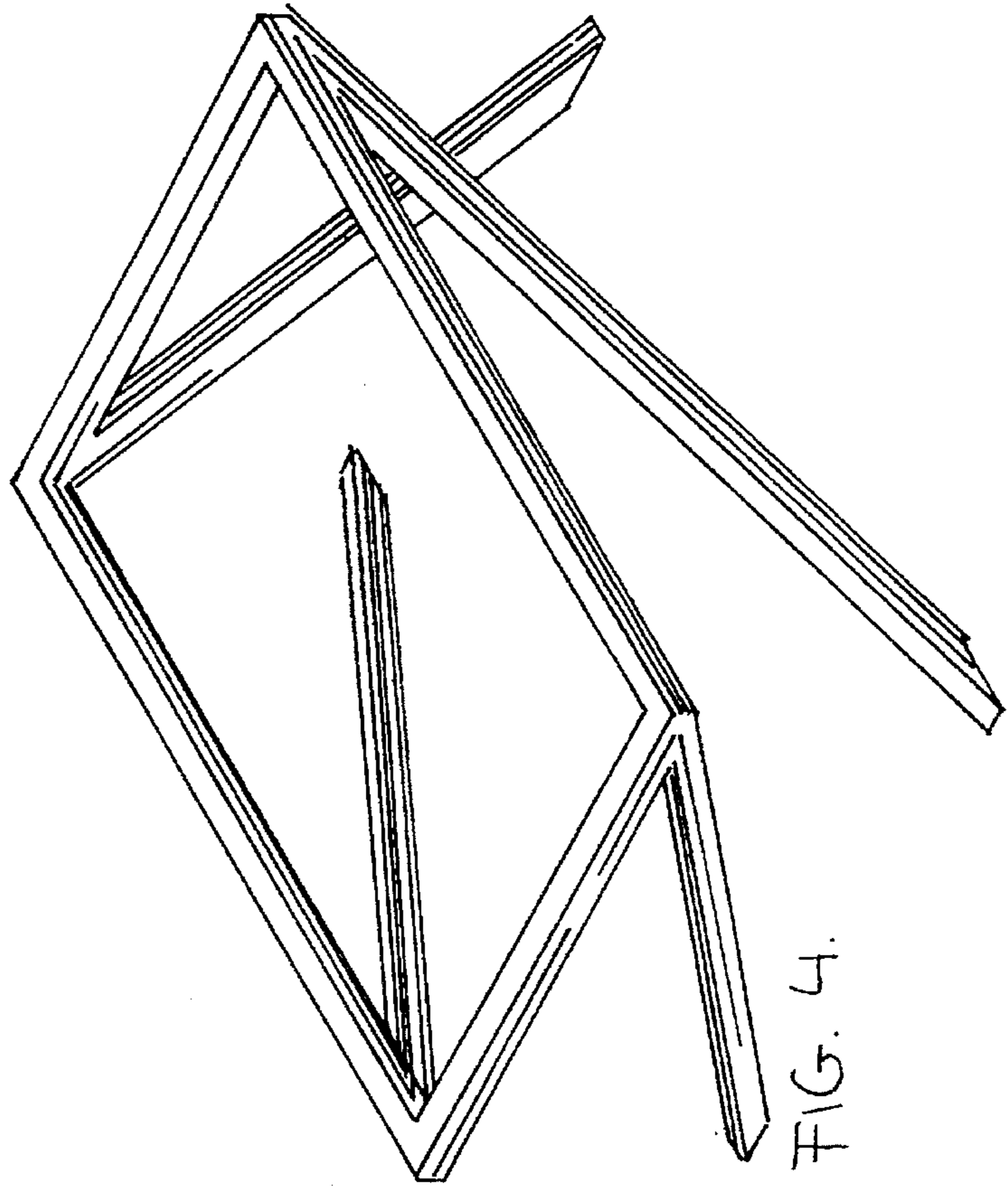


FIG. 4.

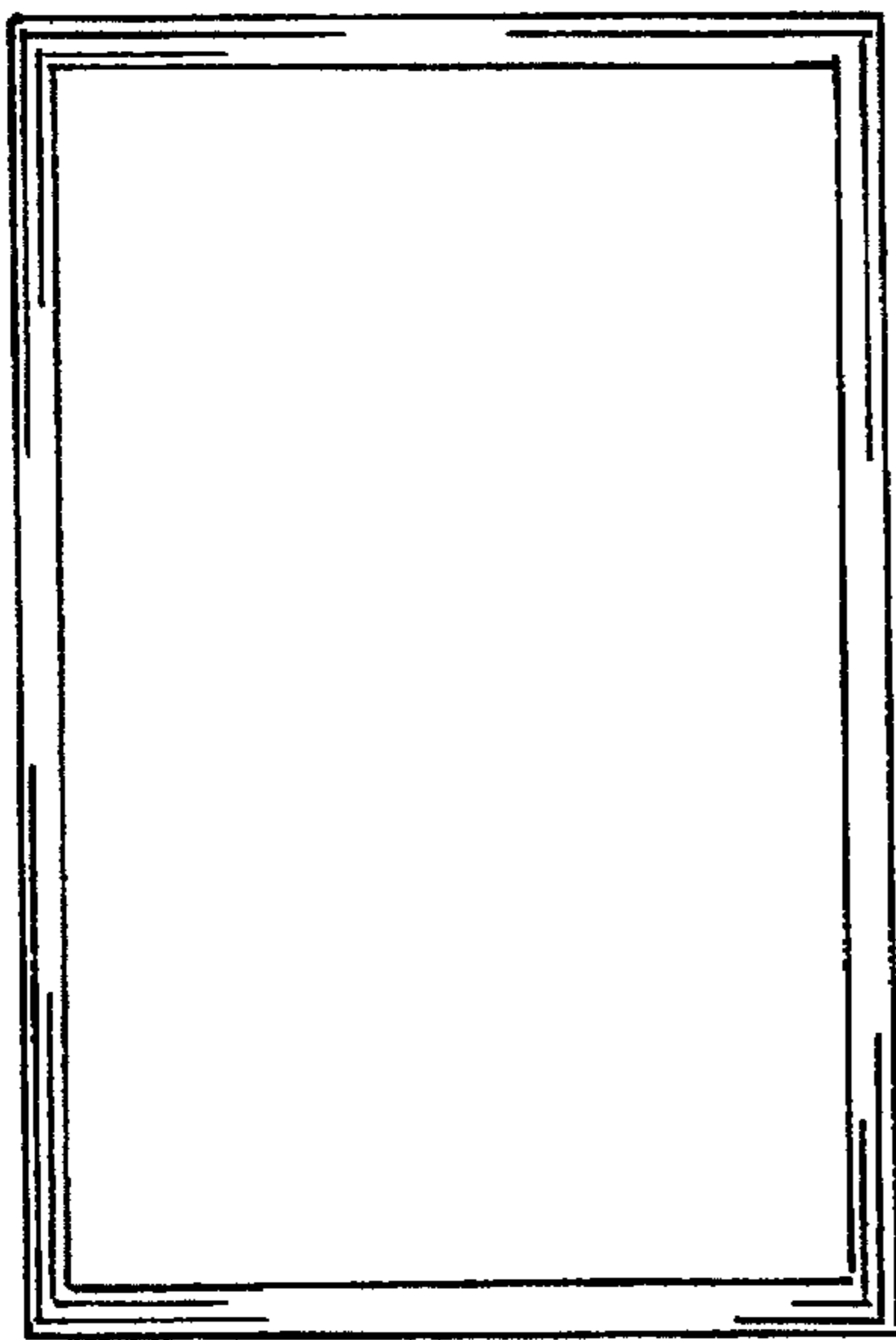


FIG. 1.

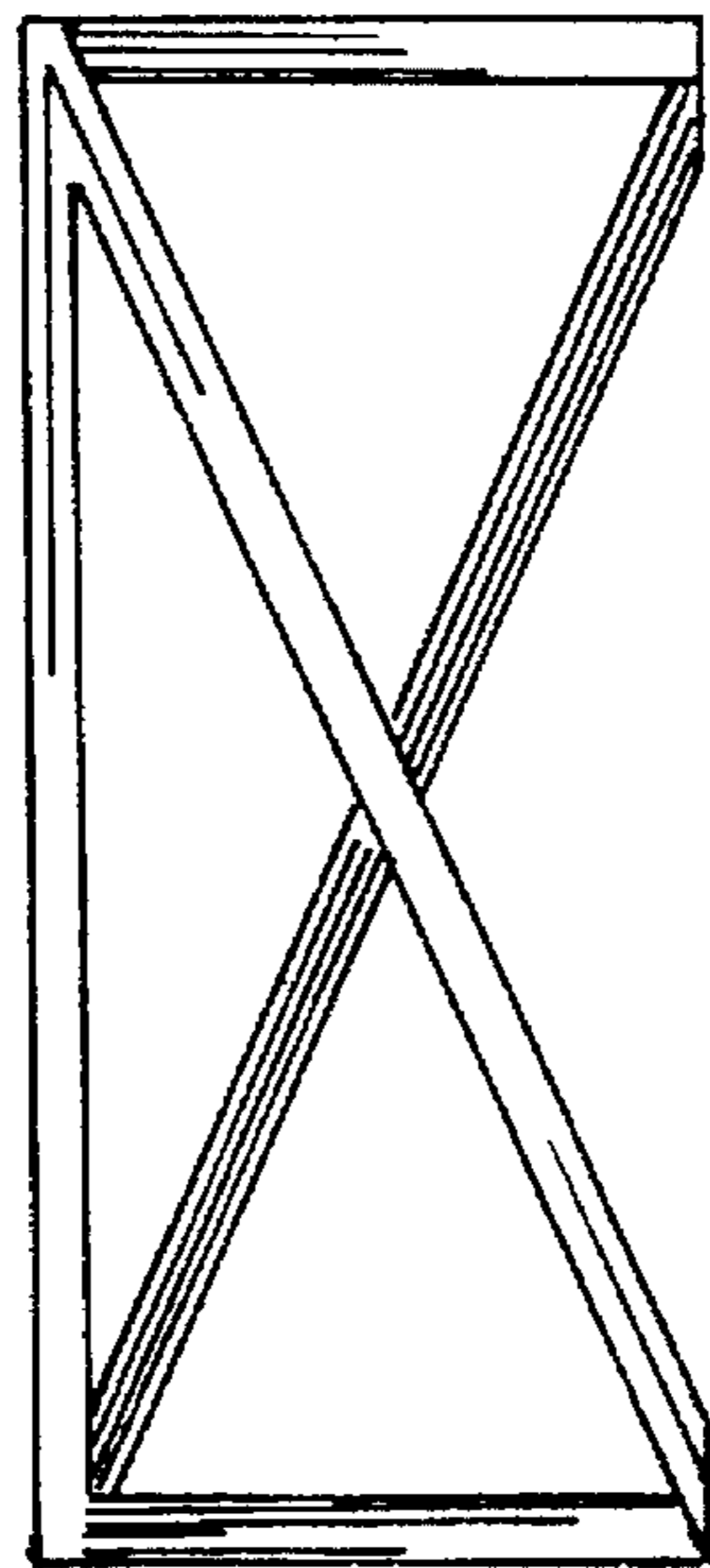


FIG. 2.