



US00D381842S

United States Patent [19] Herbst

[11] Patent Number: **Des. 381,842**
[45] Date of Patent: ****Aug. 5, 1997**

[54] **ENTERTAINMENT SYSTEM STAND**

[76] Inventor: **Jon Paul Herbst**, 2890 Skyline Dr., Eagan, Minn. 55121

[**] Term: **14 Years**

[21] Appl. No.: **53,596**

[22] Filed: **Apr. 25, 1996**

[51] LOC (6) Cl. **06-04**

[52] U.S. Cl. **D6/479; D6/477**

[58] Field of Search D6/449, 455, 458, D6/461, 462, 465, 470, 477-480, 482-487, 490; 108/59, 90, 91, 92, 93, 96, 152, 153, 150, 149, 157, 16, 31, 100, 101, 144, 106; 211/13, 90, 42, 71, 72, 186, 187, 188, 134, 135, 153, 194, 49.1, 189, 175

[56] **References Cited**

U.S. PATENT DOCUMENTS

D. 290,561	6/1987	Becker	D6/477
D. 335,051	4/1993	Ossip	D6/479 X
D. 363,625	10/1995	Levine	D6/479
D. 363,626	10/1995	Herbst	D6/479
D. 364,055	11/1995	Pakla	D6/477
D. 371,919	7/1996	Konecny	D6/479

FOREIGN PATENT DOCUMENTS

93019639	10/1993	WIPO	108/150
----------	---------	------	-------	---------

Primary Examiner—James Gandy
Assistant Examiner—Linda Brooks
Attorney, Agent, or Firm—Gregory P. Kaihoi

[57] **CLAIM**

The ornamental design for an entertainment system stand, as shown and described.

DESCRIPTION

FIG. 1 is a front, top, right perspective view of an entertainment system stand of my invention;
FIG. 2 is a right side view thereof;
FIG. 3 is a left side view thereof;
FIG. 4 is a front view thereof;
FIG. 5 is a rear view thereof;
FIG. 6 is a top view thereof;
FIG. 7 is a bottom view thereof;
FIG. 8 is a front, top, right side perspective view of a modified embodiment thereof;
FIG. 9 is a right side view of FIG. 8;
FIG. 10 is a left side view of FIG. 8;
FIG. 11 is a front view of FIG. 8;
FIG. 12 is a rear view of FIG. 8;
FIG. 13 is a top view of FIG. 8; and,
FIG. 14 is a bottom view of FIG. 8.

1 Claim, 10 Drawing Sheets

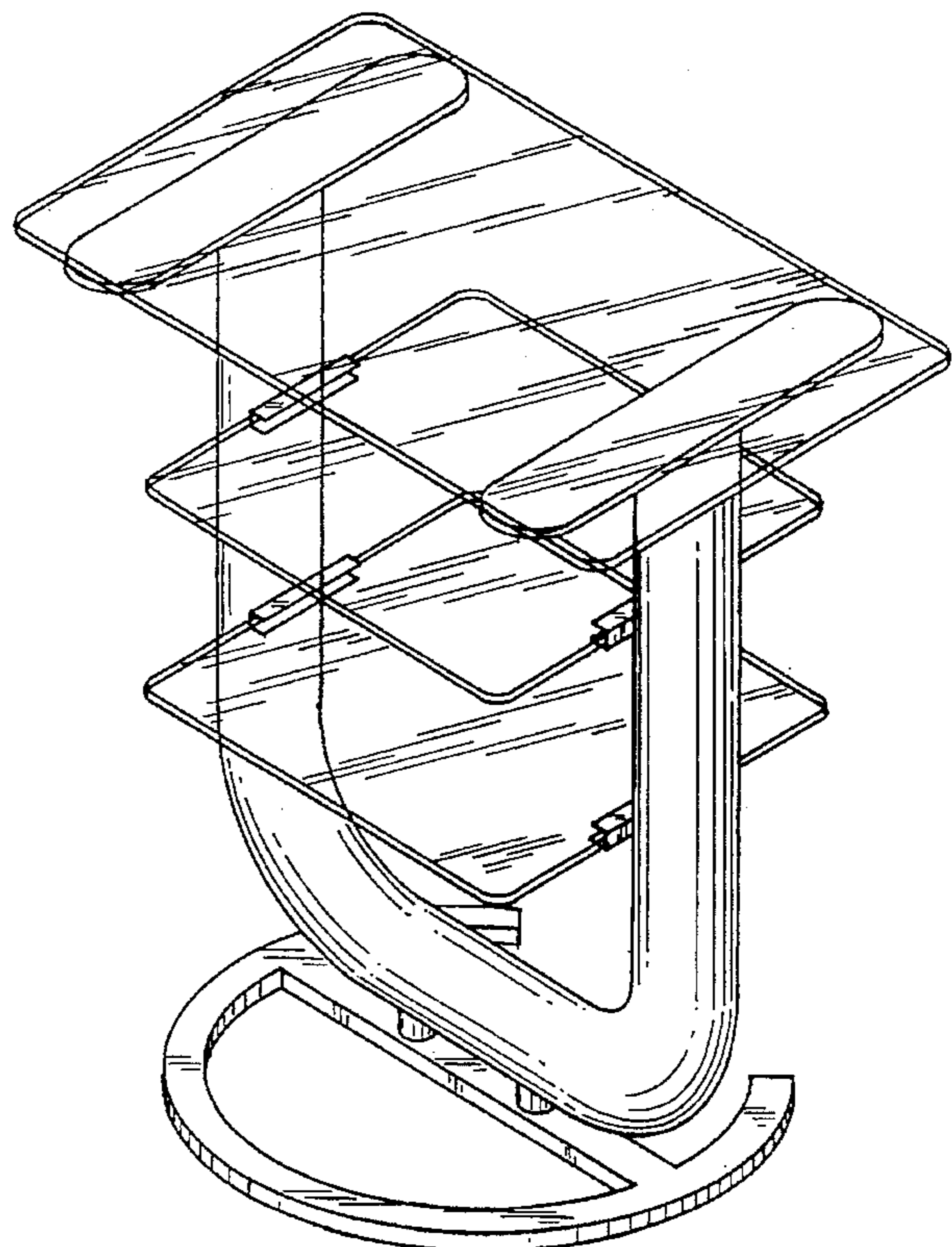
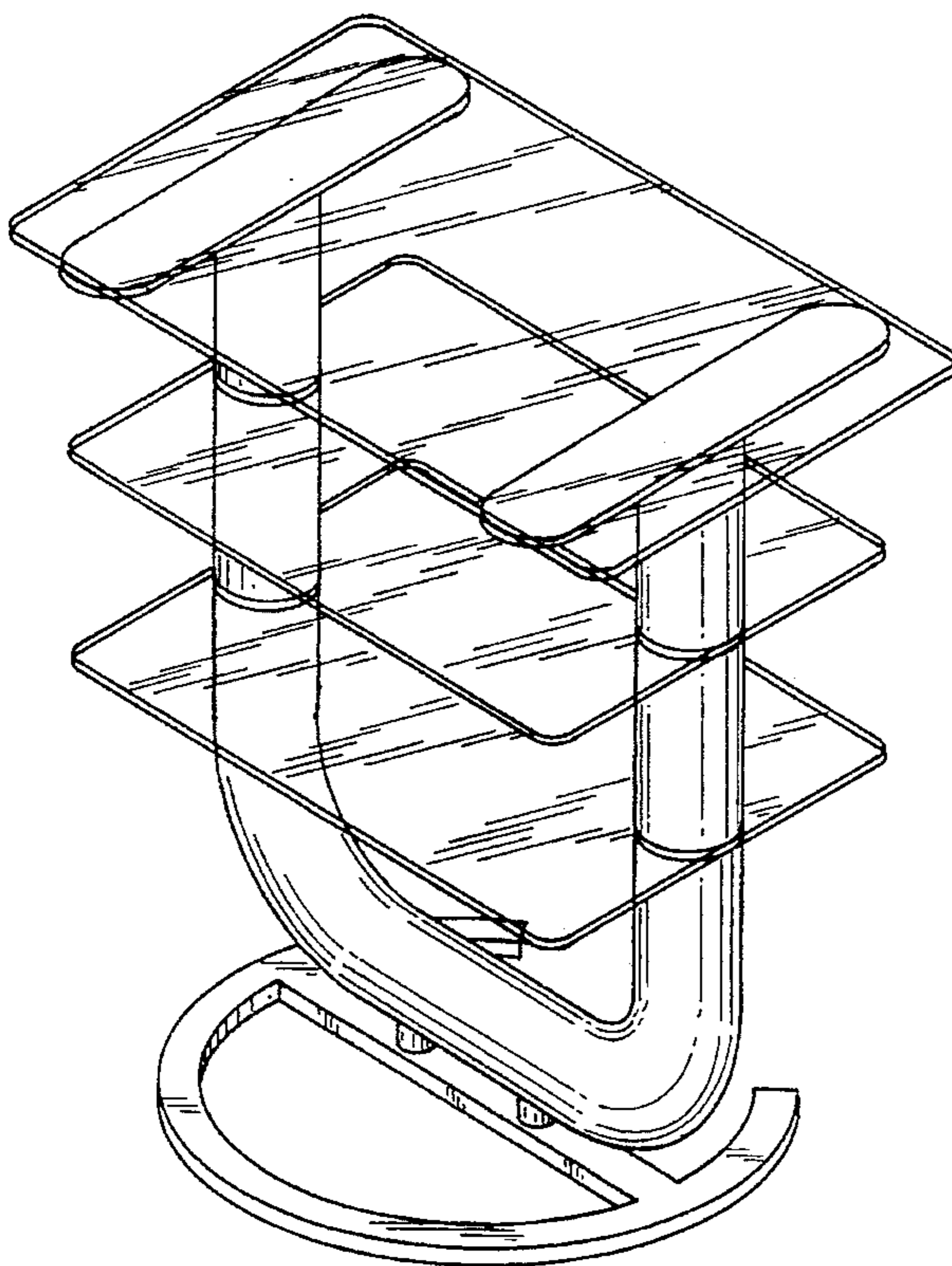
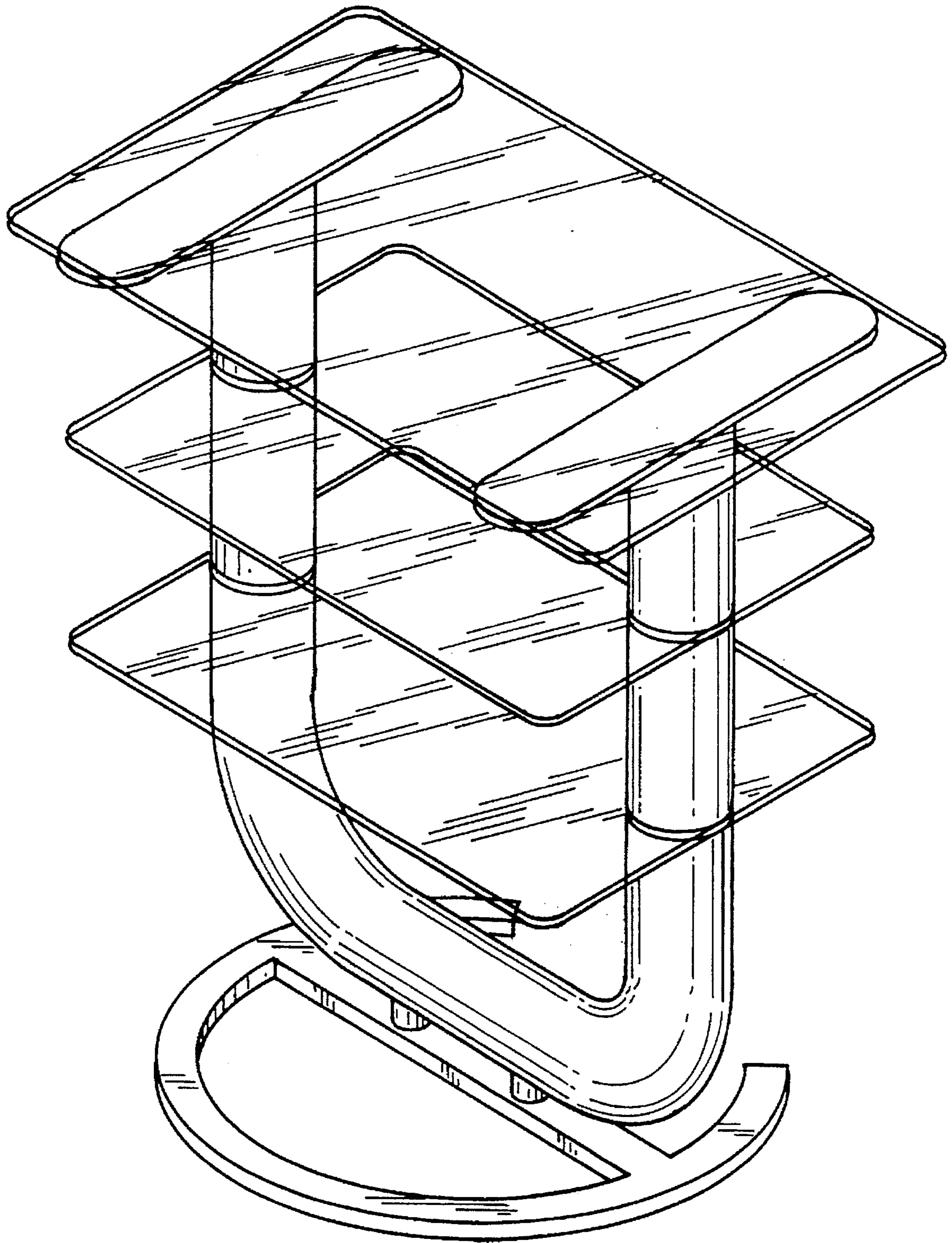


Fig. 1



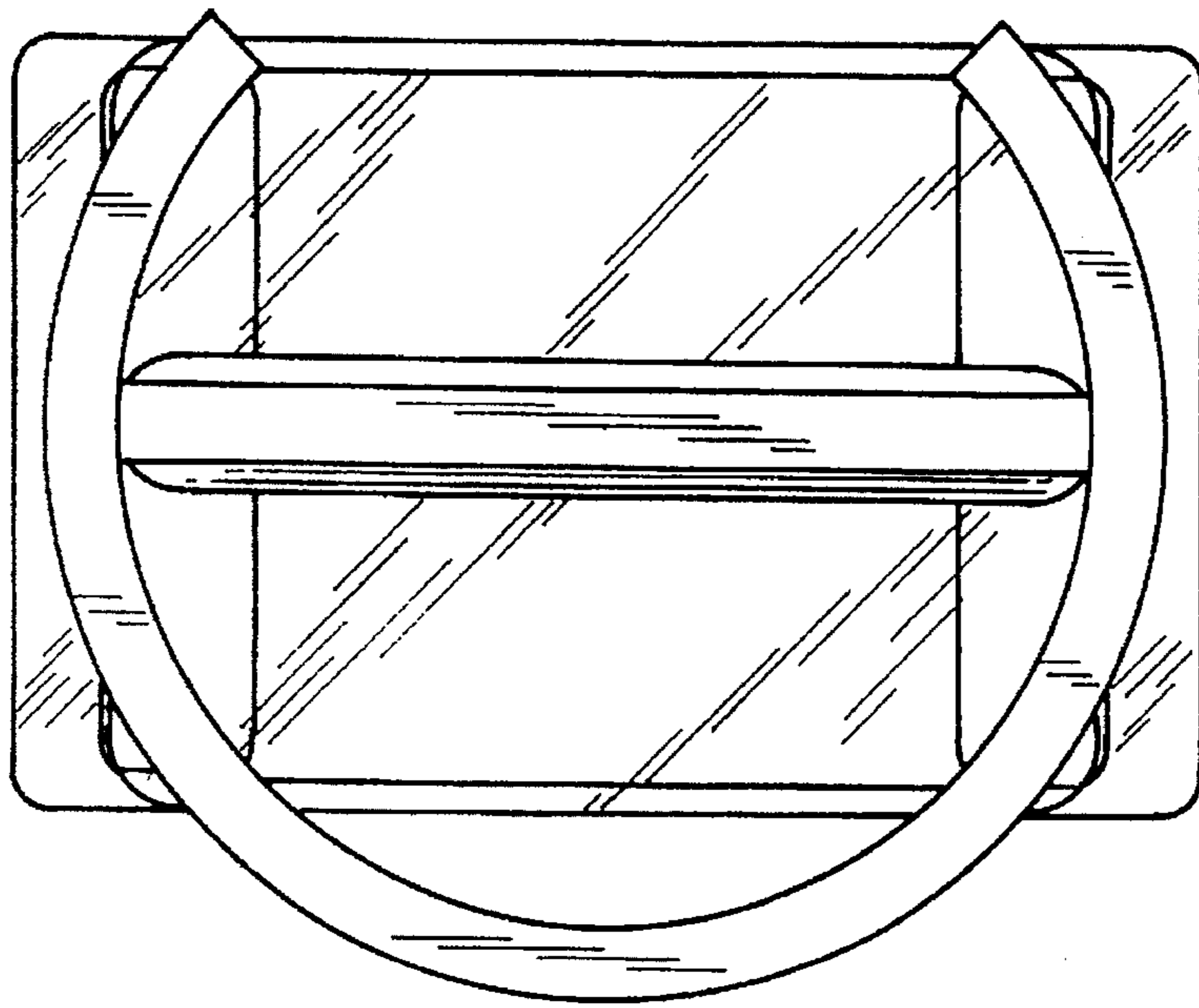


Fig. 7

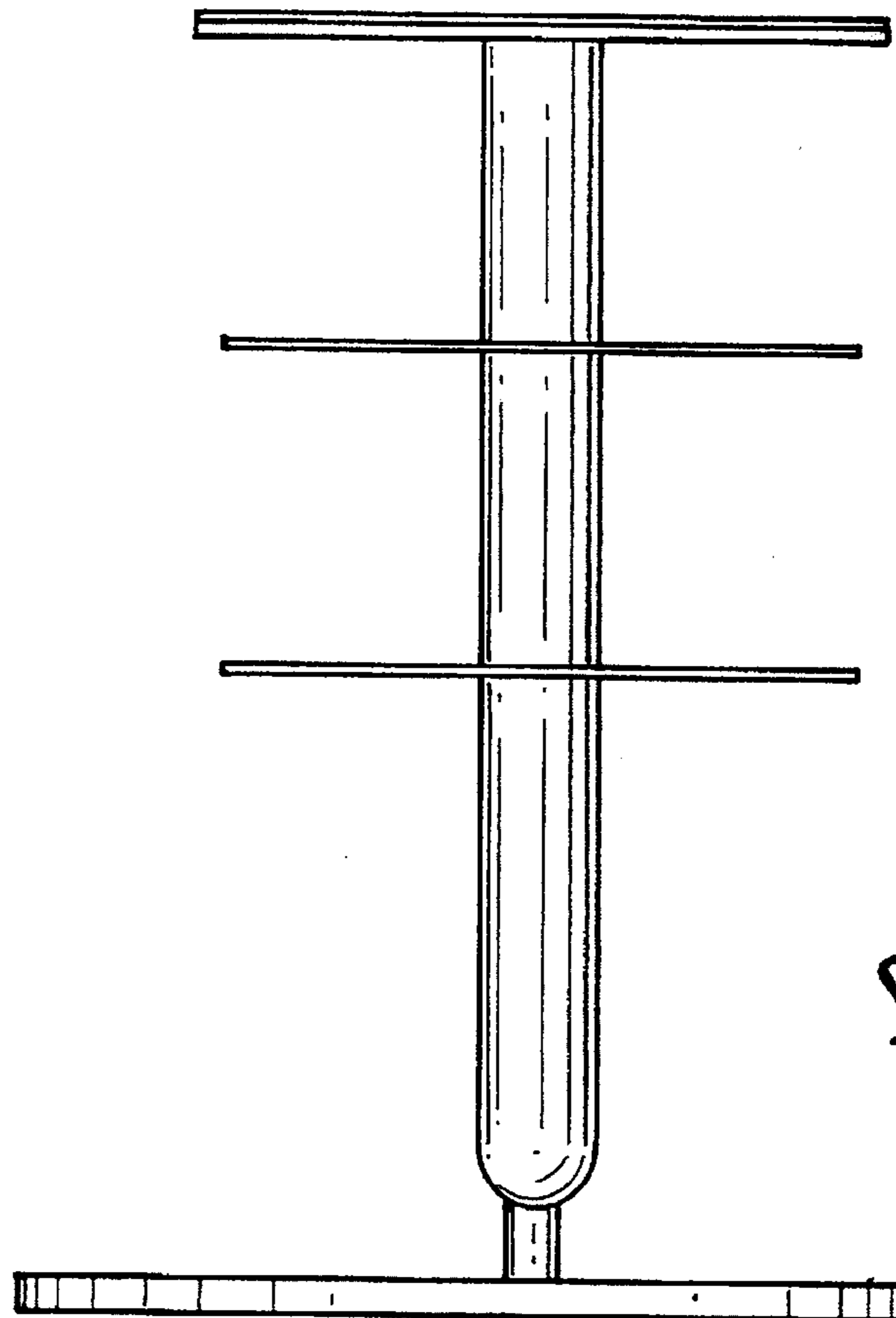


Fig. 2

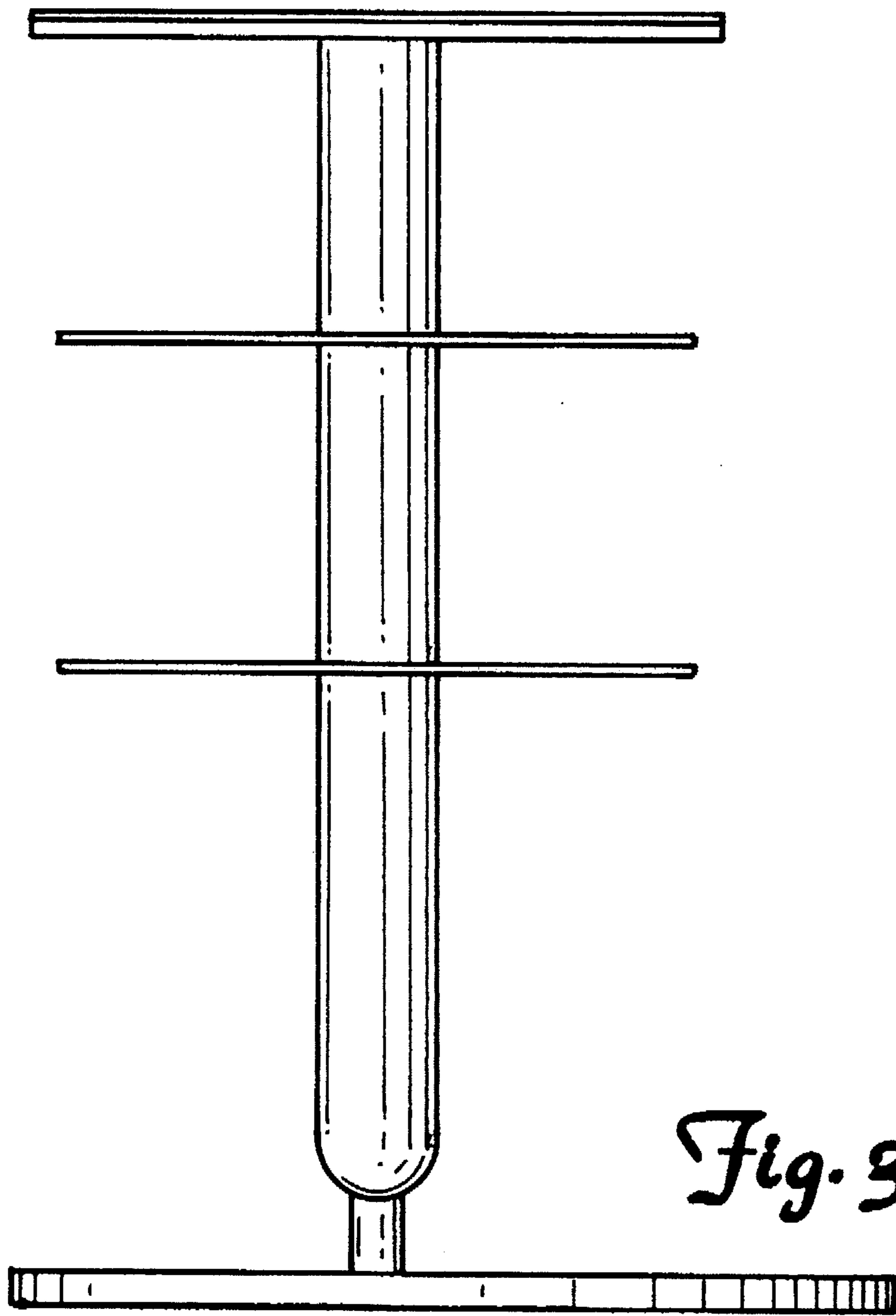


Fig. 3

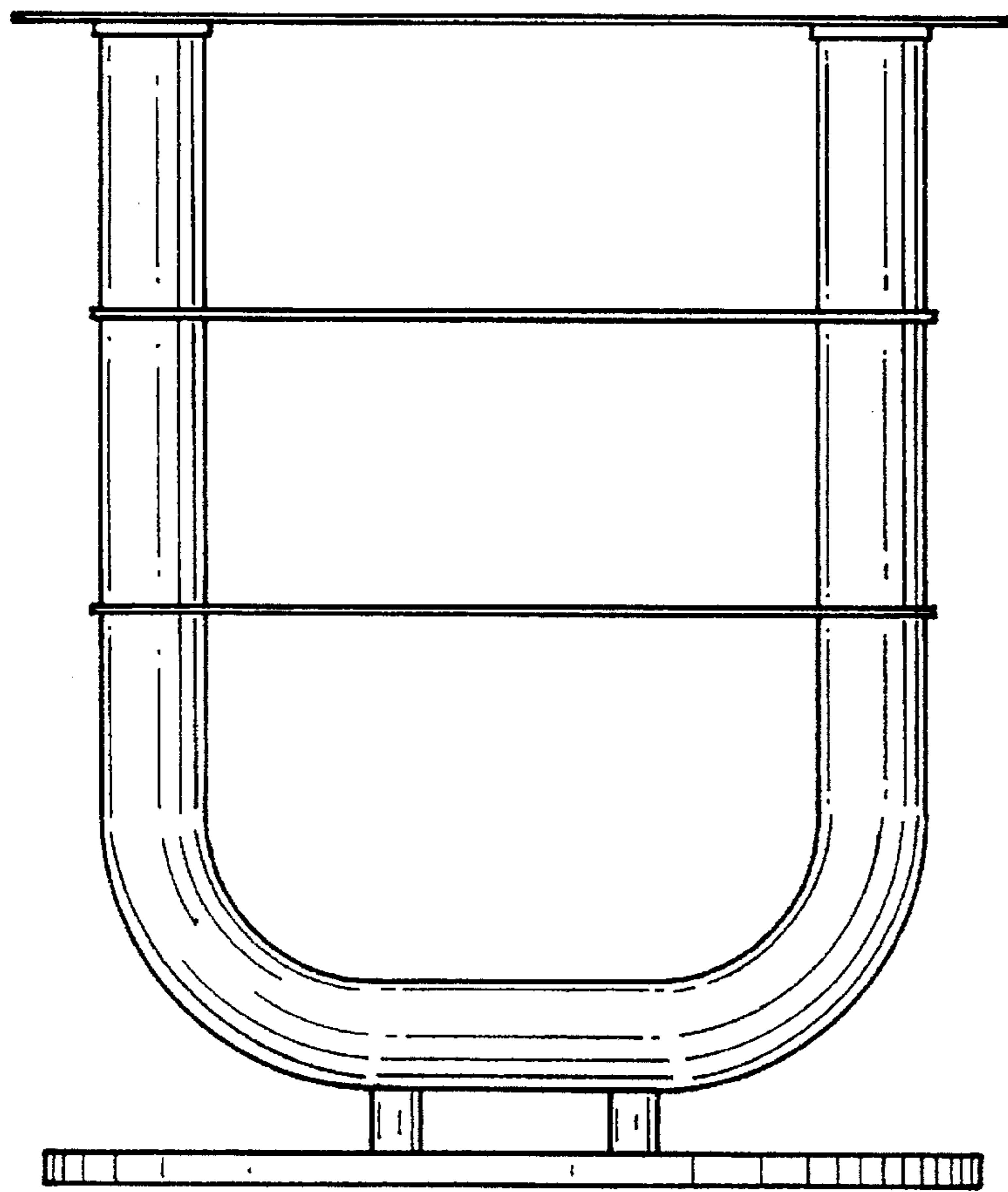


Fig 4

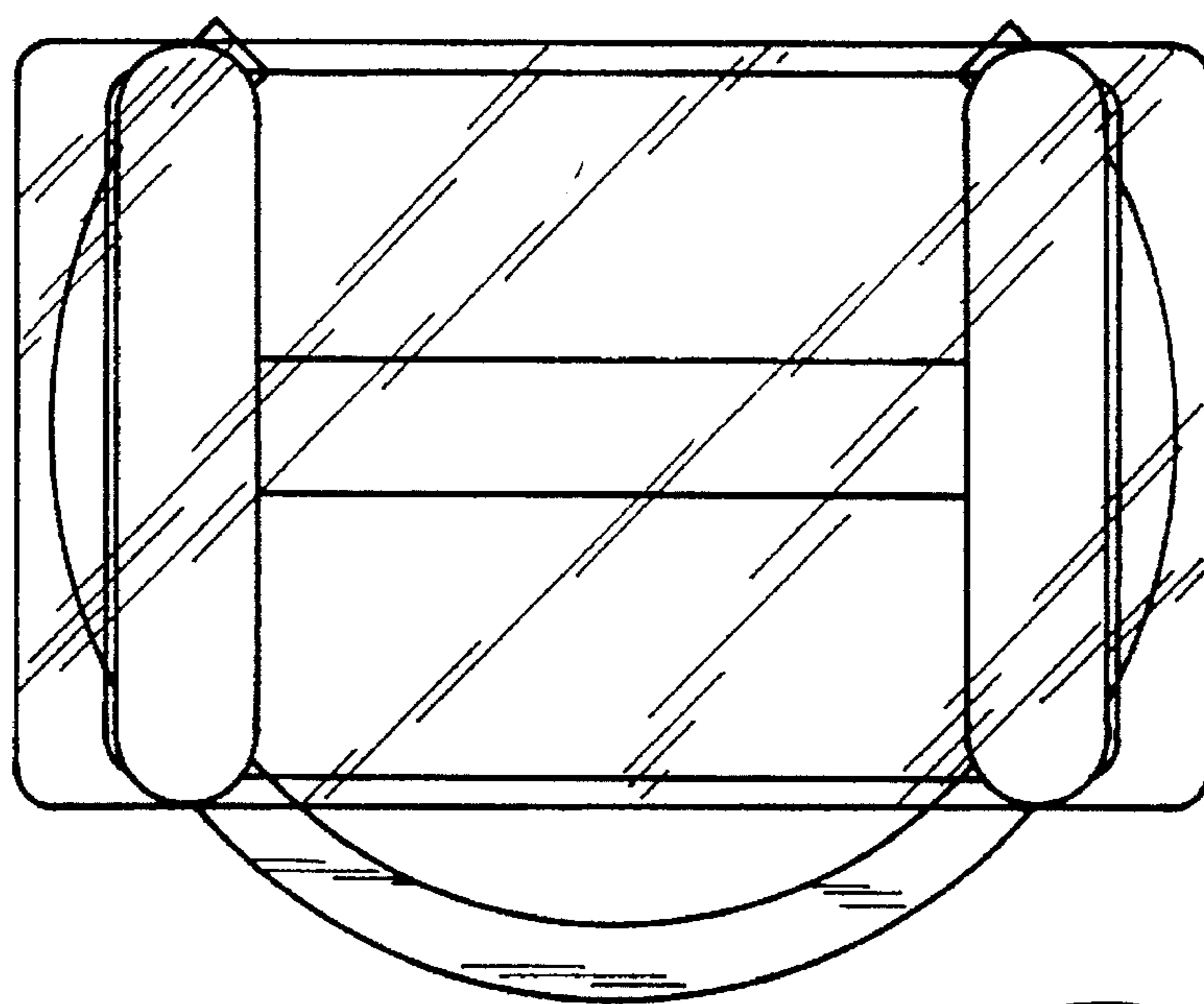


Fig. 6

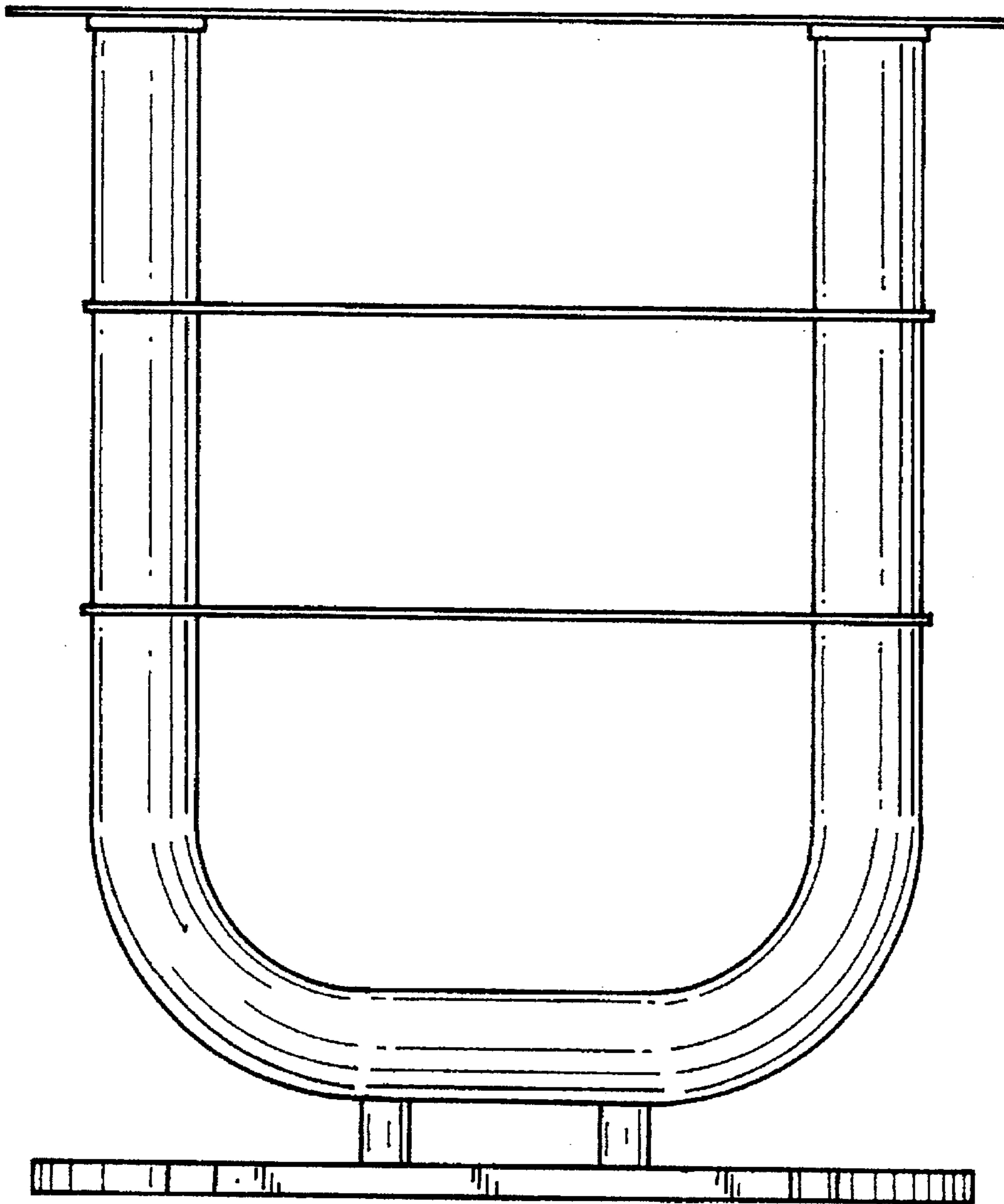


Fig 5

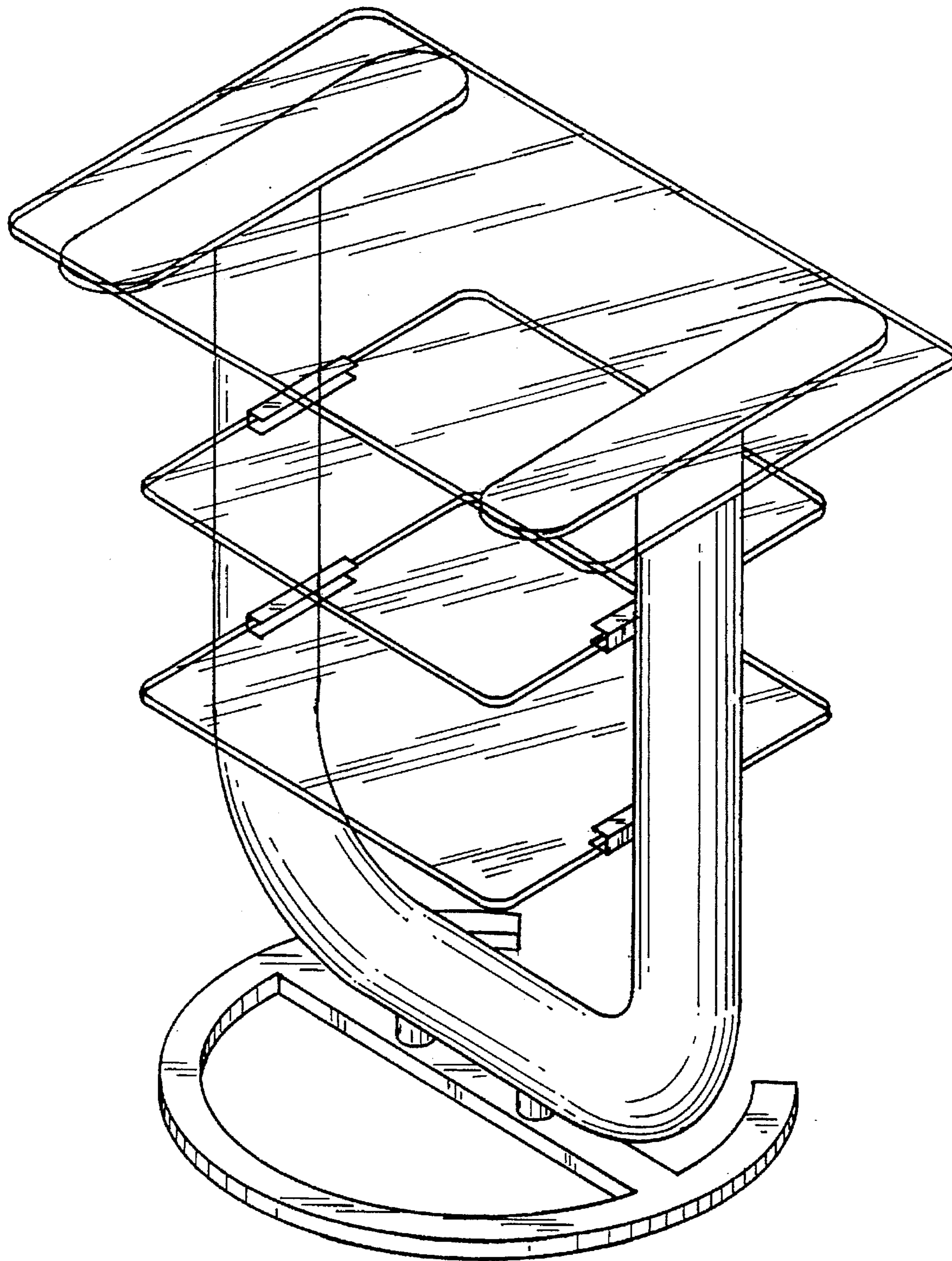


Fig. 8

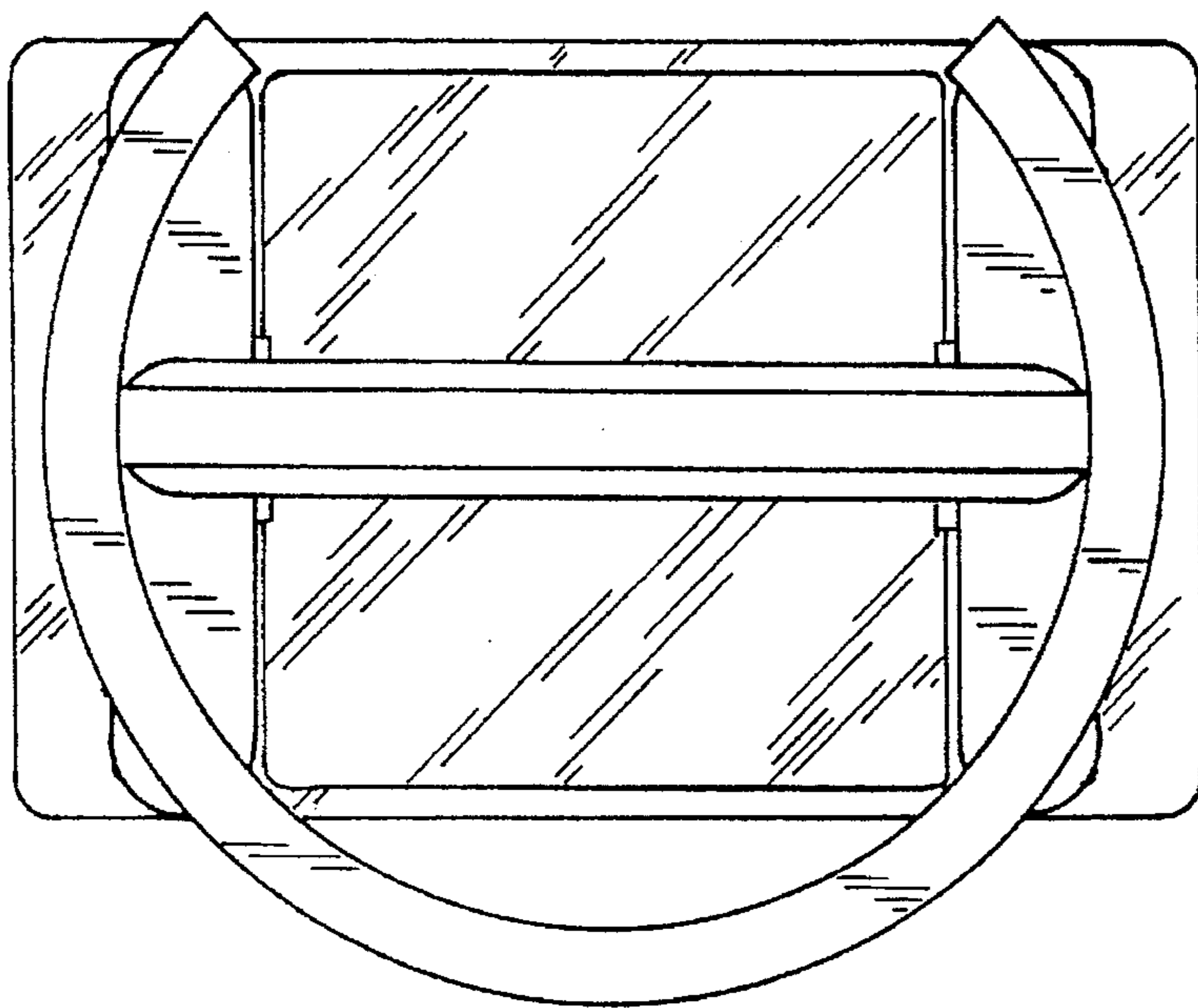


Fig. 14

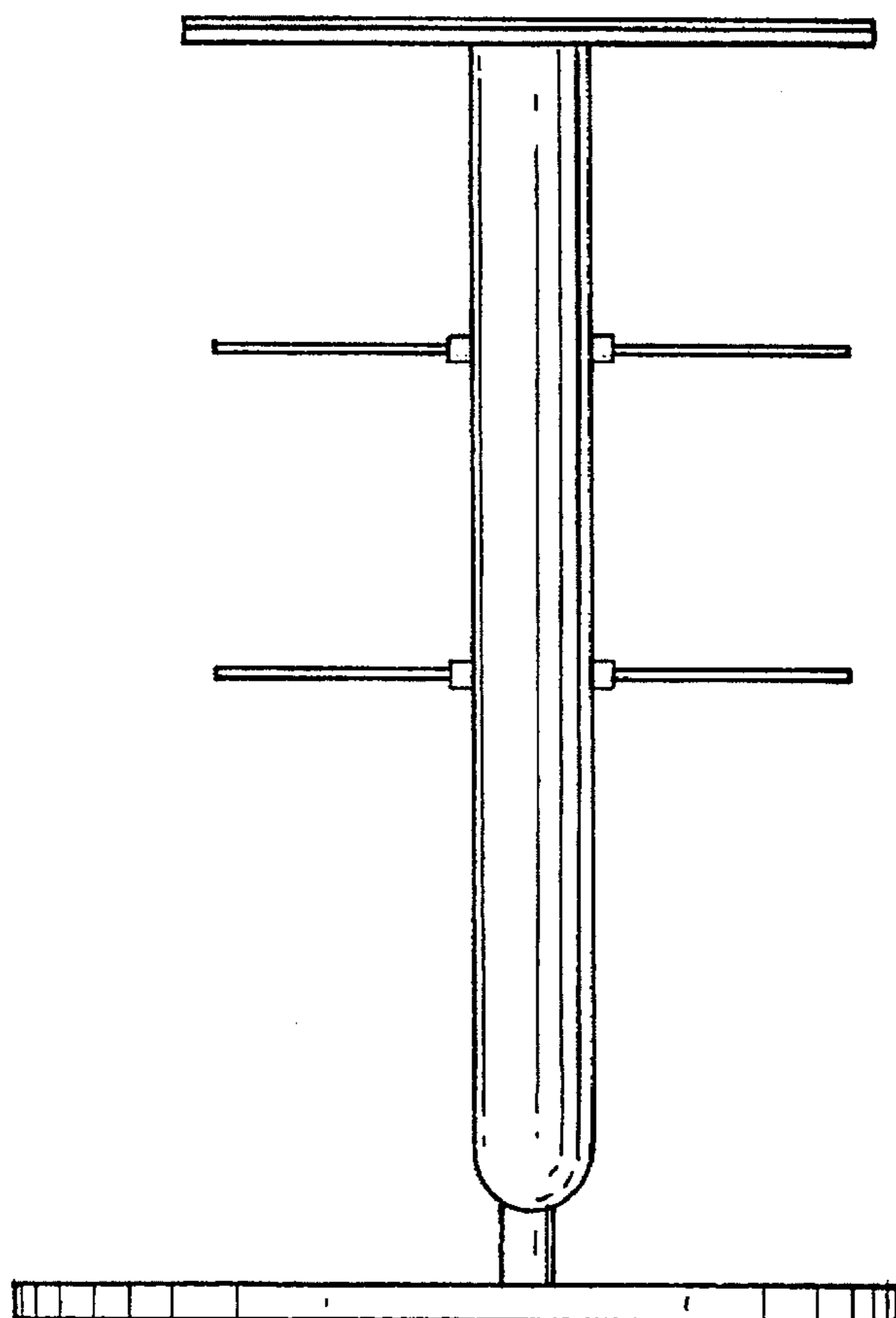


Fig. 9

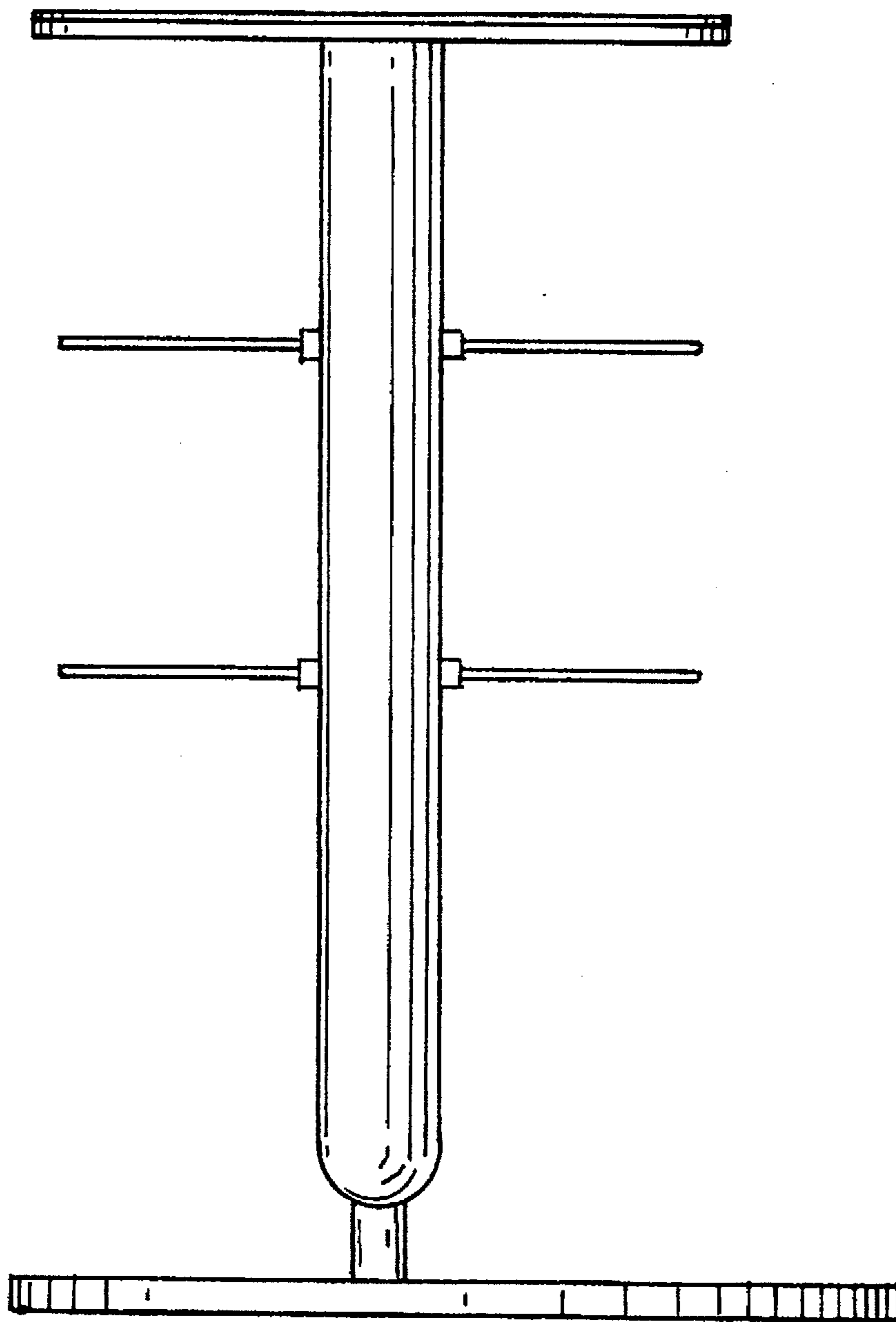


Fig. 10

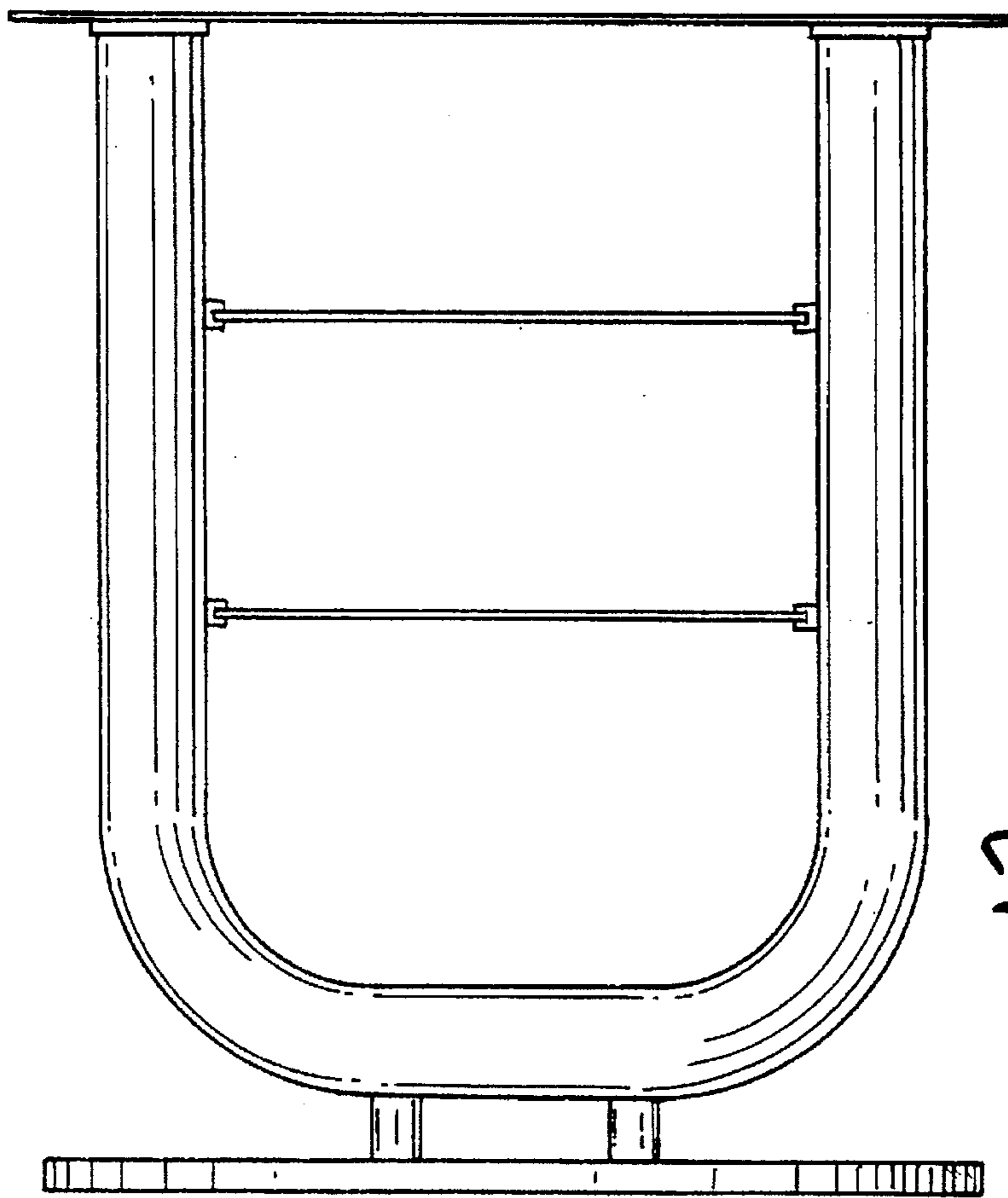


Fig. 11

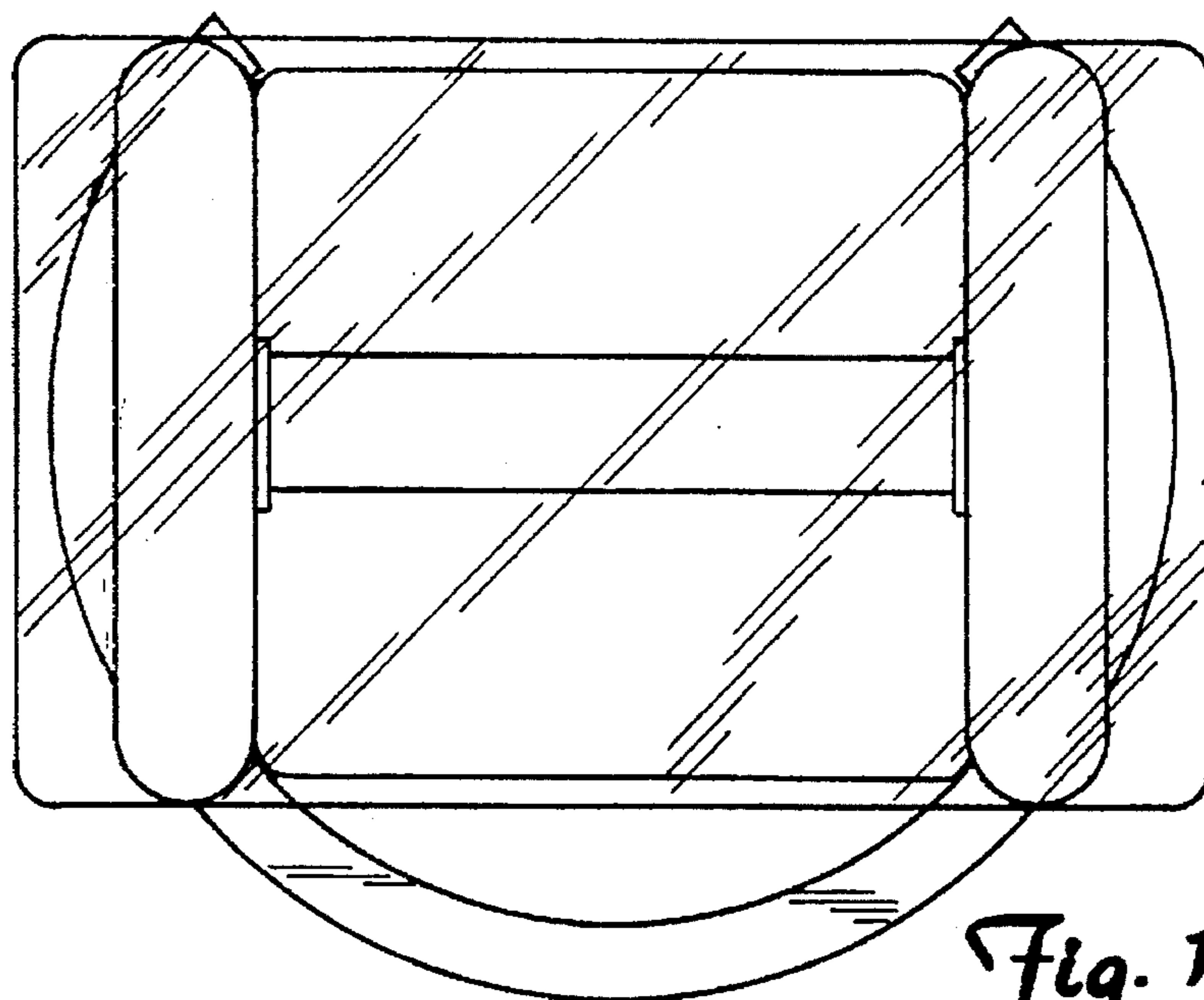


Fig. 13

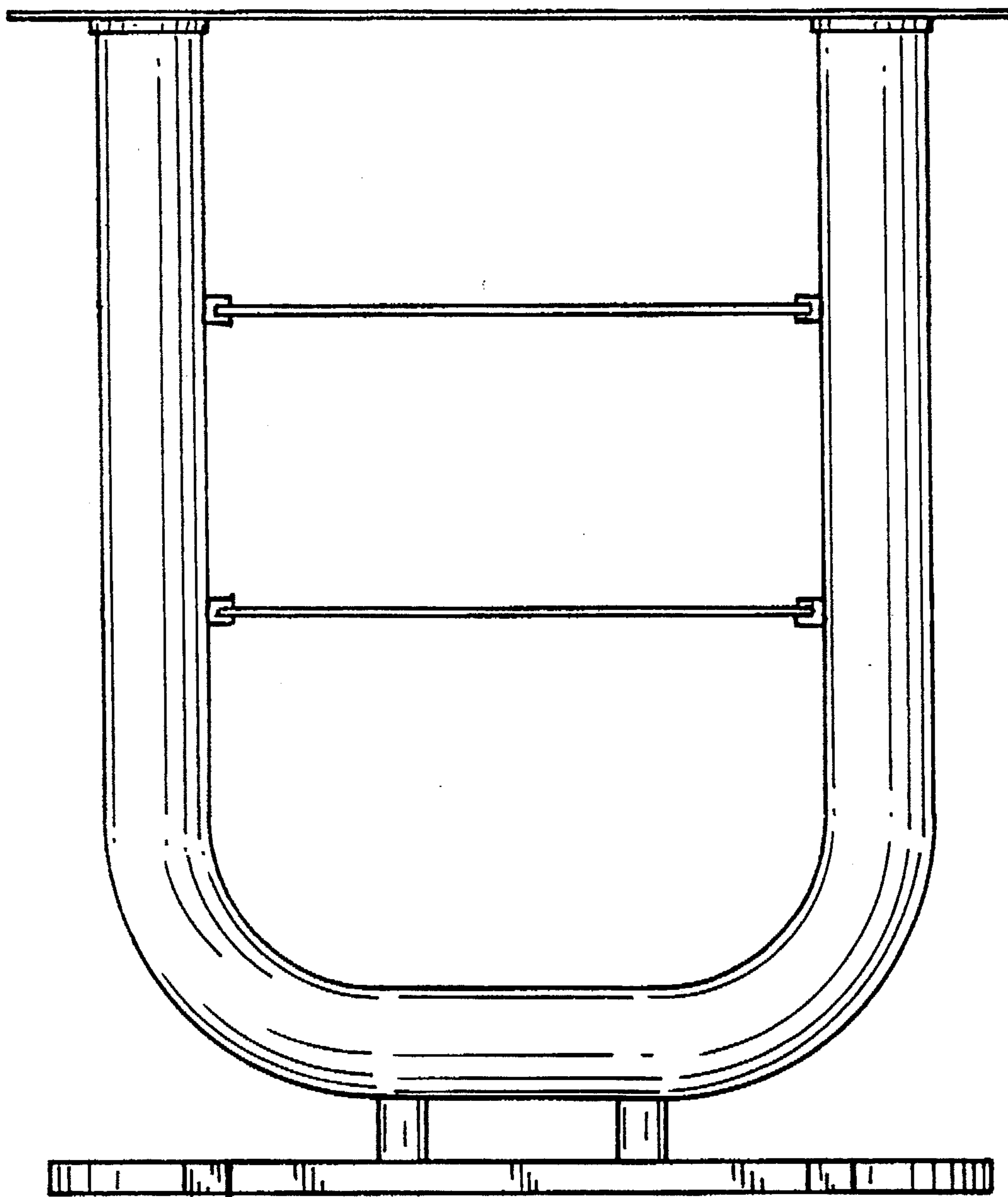


Fig. 12