



US00D381841S

# United States Patent [19]

Herbst

[11] Patent Number: **Des. 381,841**

[45] Date of Patent: **\*\*Aug. 5, 1997**

[54] ENTERTAINMENT SYSTEM STAND

[76] Inventor: **Jon Paul Herbst**, 2890 Skyline Dr., Eagan, Minn. 55121

[\*\*] Term: **14 Years**

[21] Appl. No.: **53,595**

[22] Filed: **Apr. 25, 1996**

[51] LOC (6) Cl. .... **06-04**

[52] U.S. Cl. .... **D6/479**

[58] Field of Search ..... D6/449, 455, 458, D6/461, 462, 465, 470, 477-480, 482-487, 490; 108/59, 90, 91, 92, 93, 96, 153, 152, 150, 157, 149, 16, 31, 100, 101, 144, 106; 211/13, 90, 42, 186, 187, 188, 71, 72, 134, 135, 153, 194, 49.1, 189, 190, 175

[56] **References Cited**

**U.S. PATENT DOCUMENTS**

D. 290,561	6/1987	Becker	.....	D6/477
D. 363,625	10/1995	Levine	.....	D6/479
D. 363,626	10/1995	Herbst	.....	D6/479
D. 364,055	11/1995	Pakla	.....	D6/477
D. 371,919	7/1996	Konecny	.....	D6/479

**FOREIGN PATENT DOCUMENTS**

93019639	10/1993	WIPO	.....	108/150
----------	---------	------	-------	---------

*Primary Examiner*—James Gandy  
*Assistant Examiner*—Linda Brooks  
*Attorney, Agent, or Firm*—Gregory P. Kaihoi

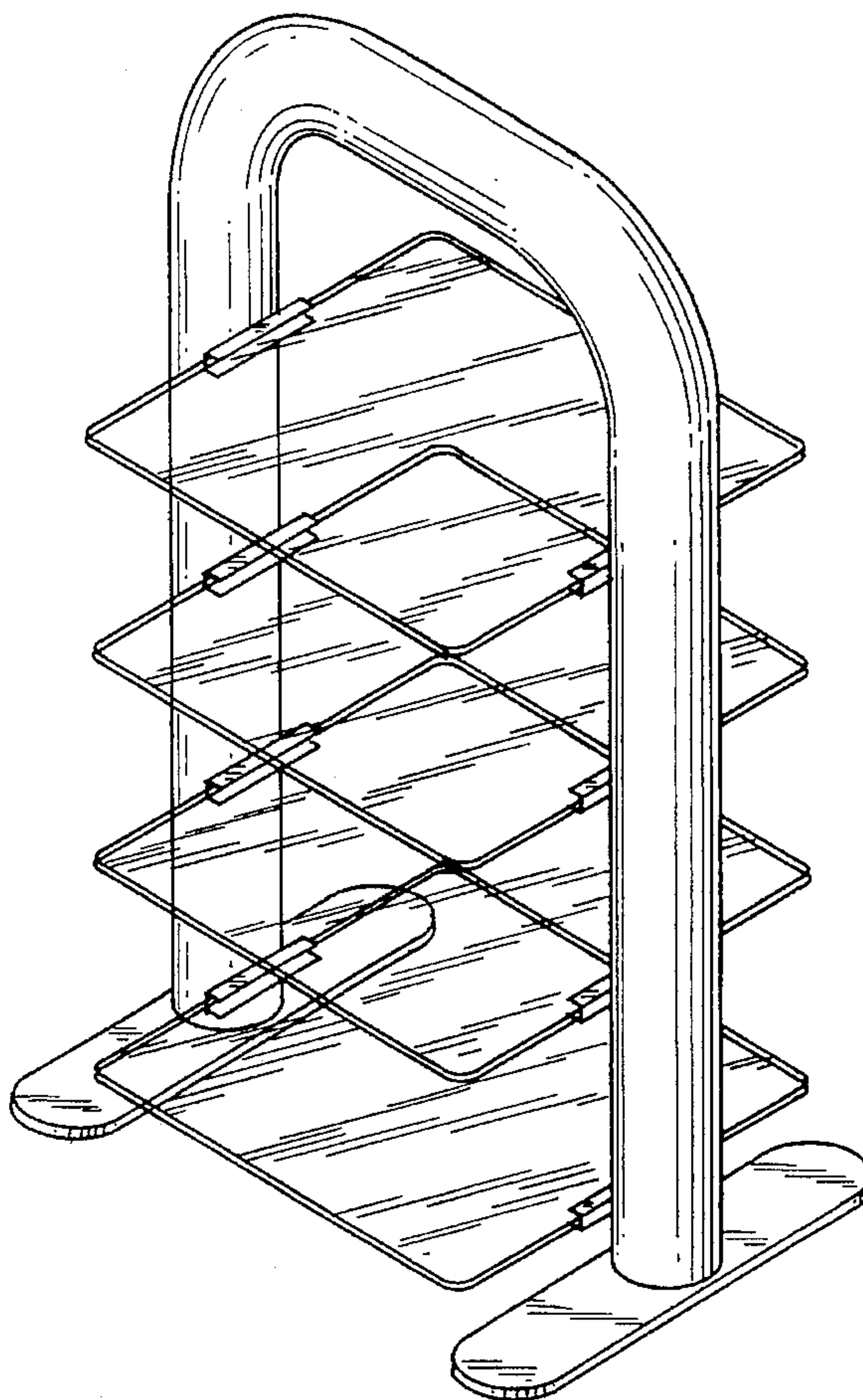
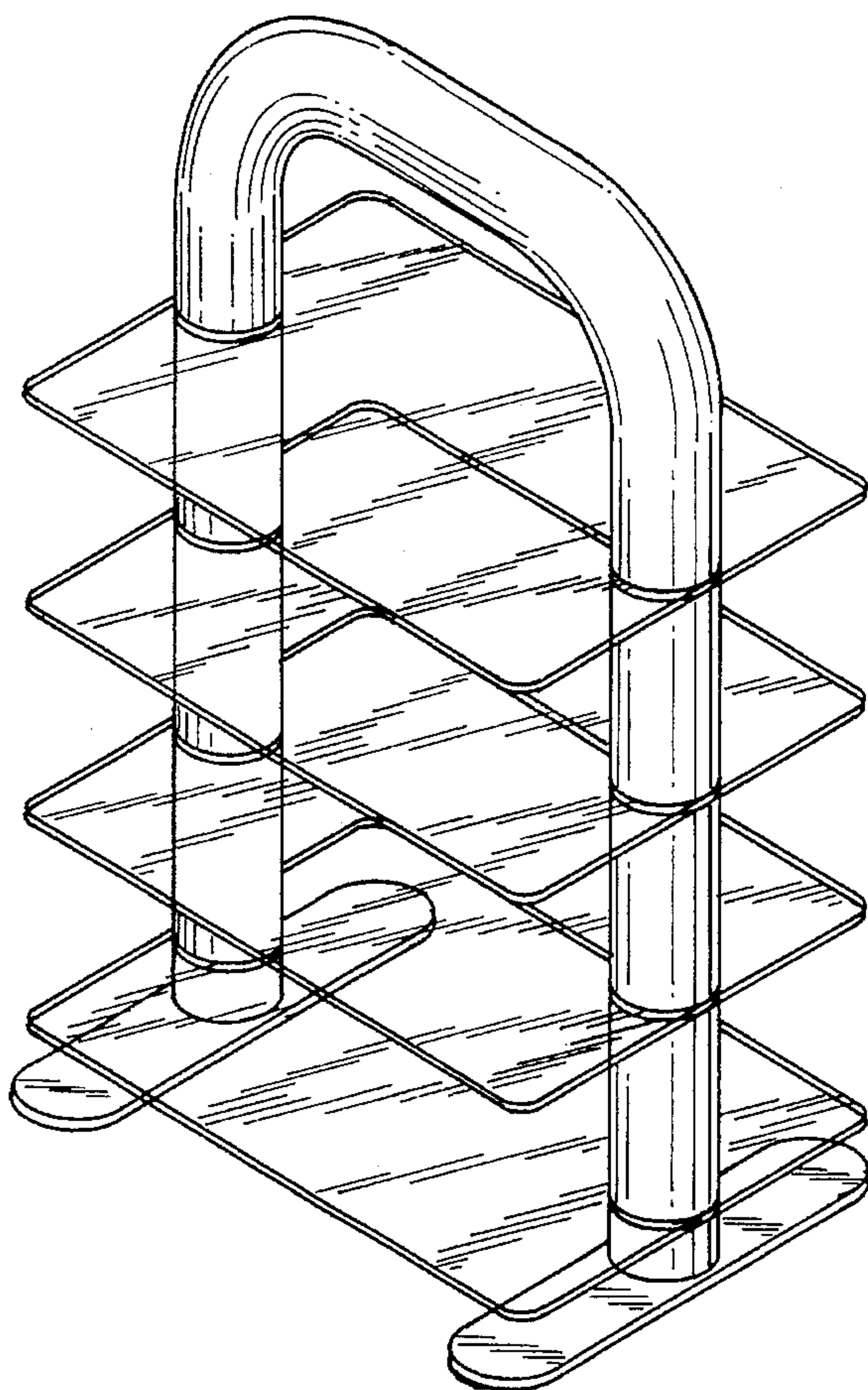
[57] **CLAIM**

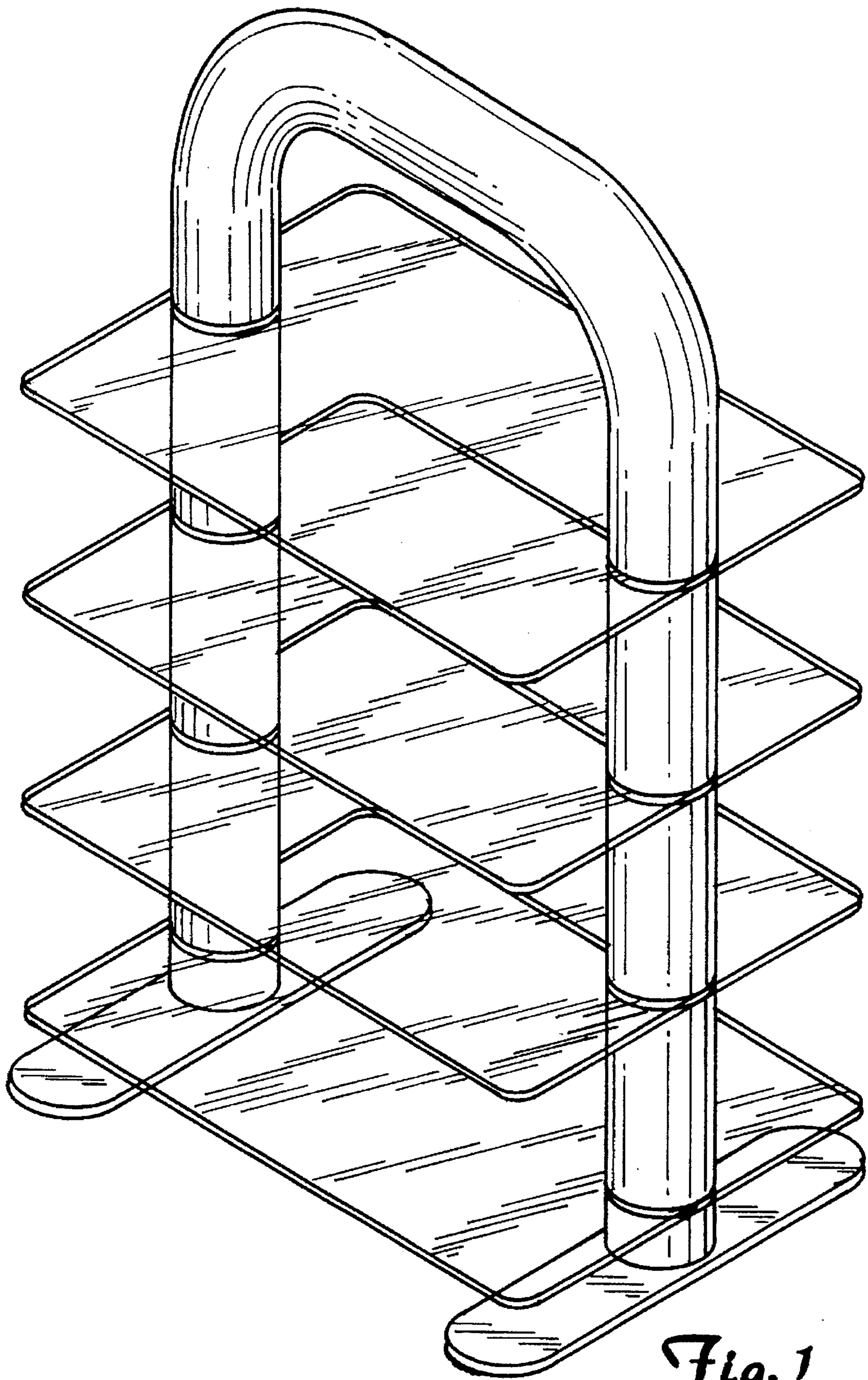
The ornamental design for an entertainment system stand, as shown and described.

**DESCRIPTION**

FIG. 1 is a front, top, right perspective view of an entertainment system stand of my invention;  
FIG. 2 is a front view thereof, the rear view thereof being identical;  
FIG. 3 is a left side view thereof, the right side view thereof being identical;  
FIG. 4 is a bottom view thereof;  
FIG. 5 is a top view thereof;  
FIG. 6 is a front, top, right side perspective view of a modified embodiment of my invention;  
FIG. 7 is a front view of FIG. 6, the rear view thereof being identical;  
FIG. 8 is a left side view of FIG. 6, the right side view thereof being identical;  
FIG. 9 is a bottom view of FIG. 6; and,  
FIG. 10 is a top view of FIG. 6.

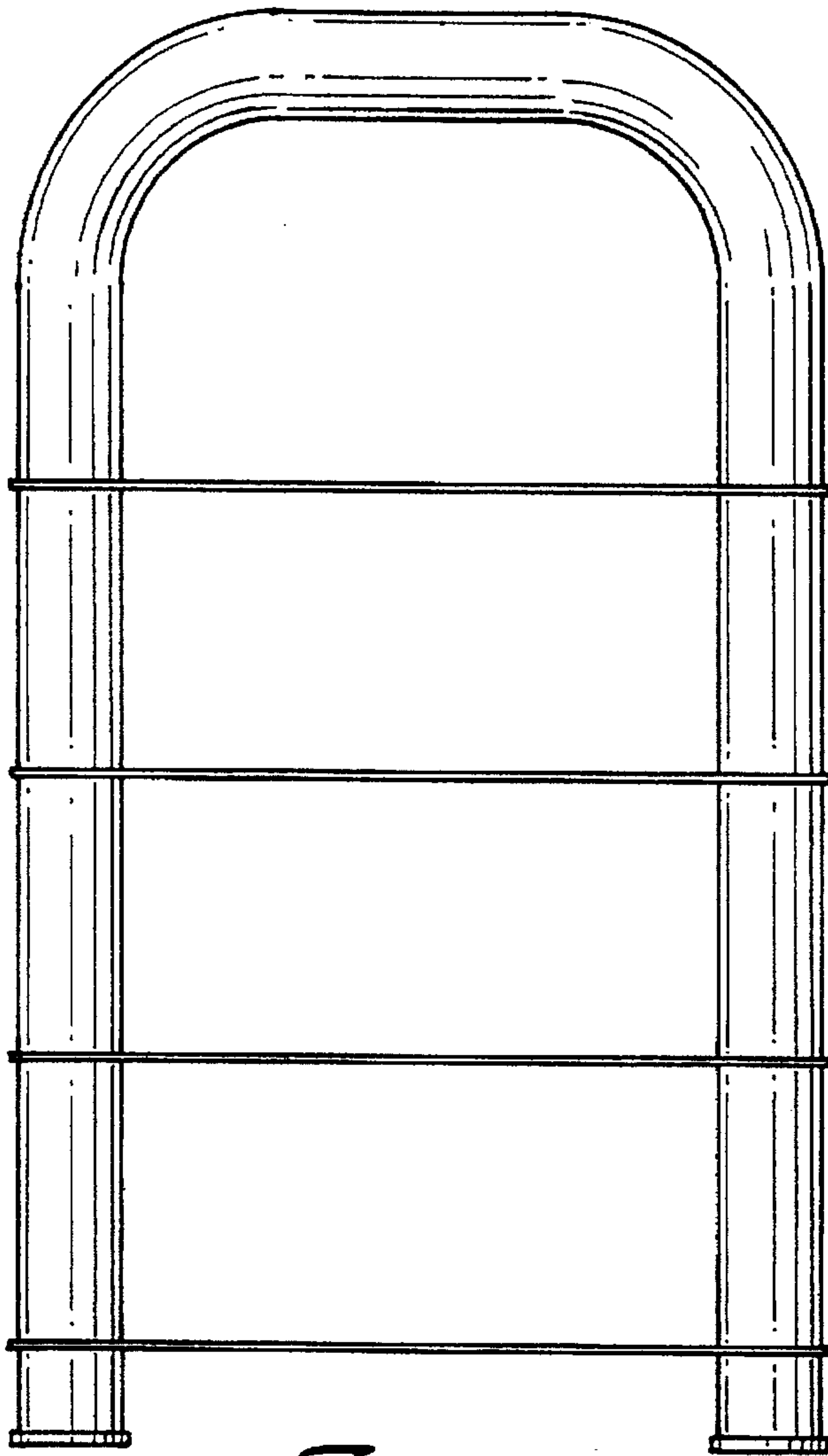
**1 Claim, 6 Drawing Sheets**



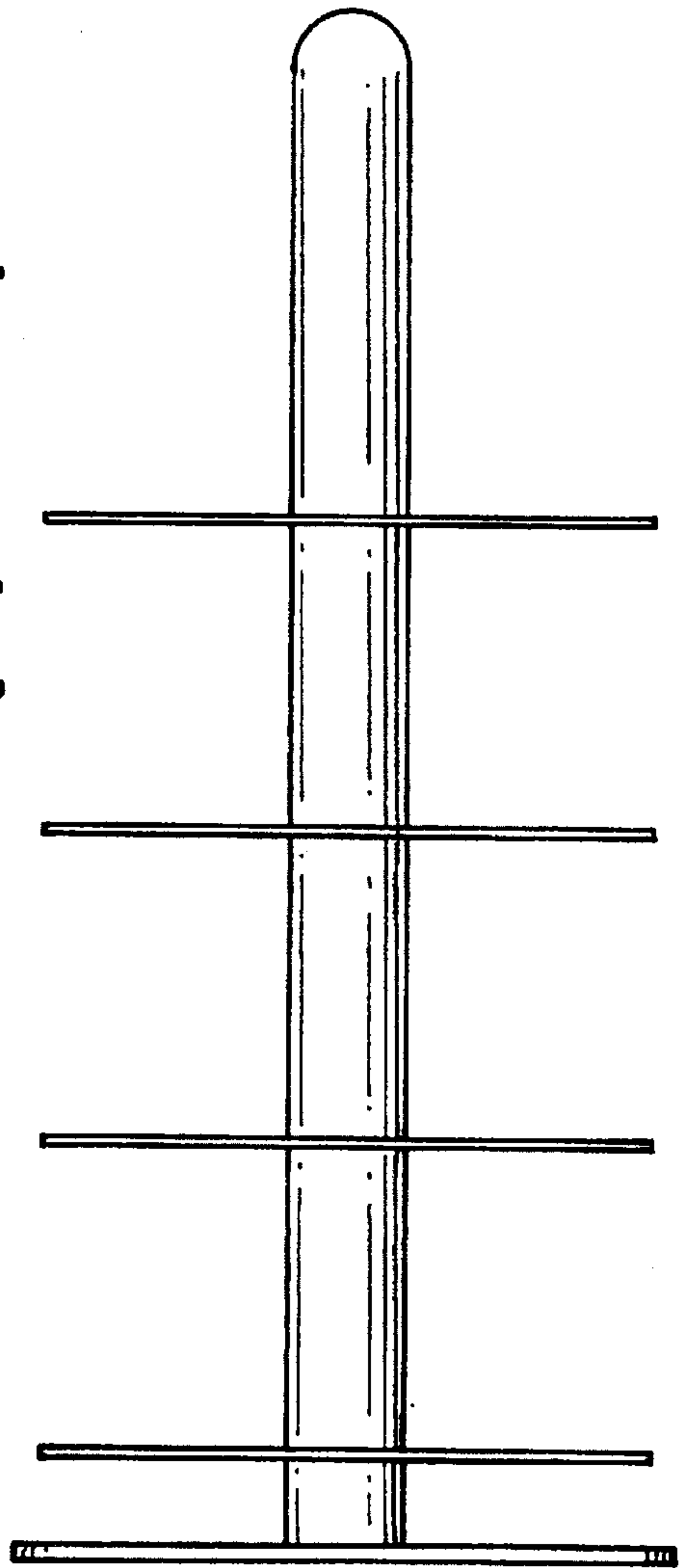


*Fig. 1*

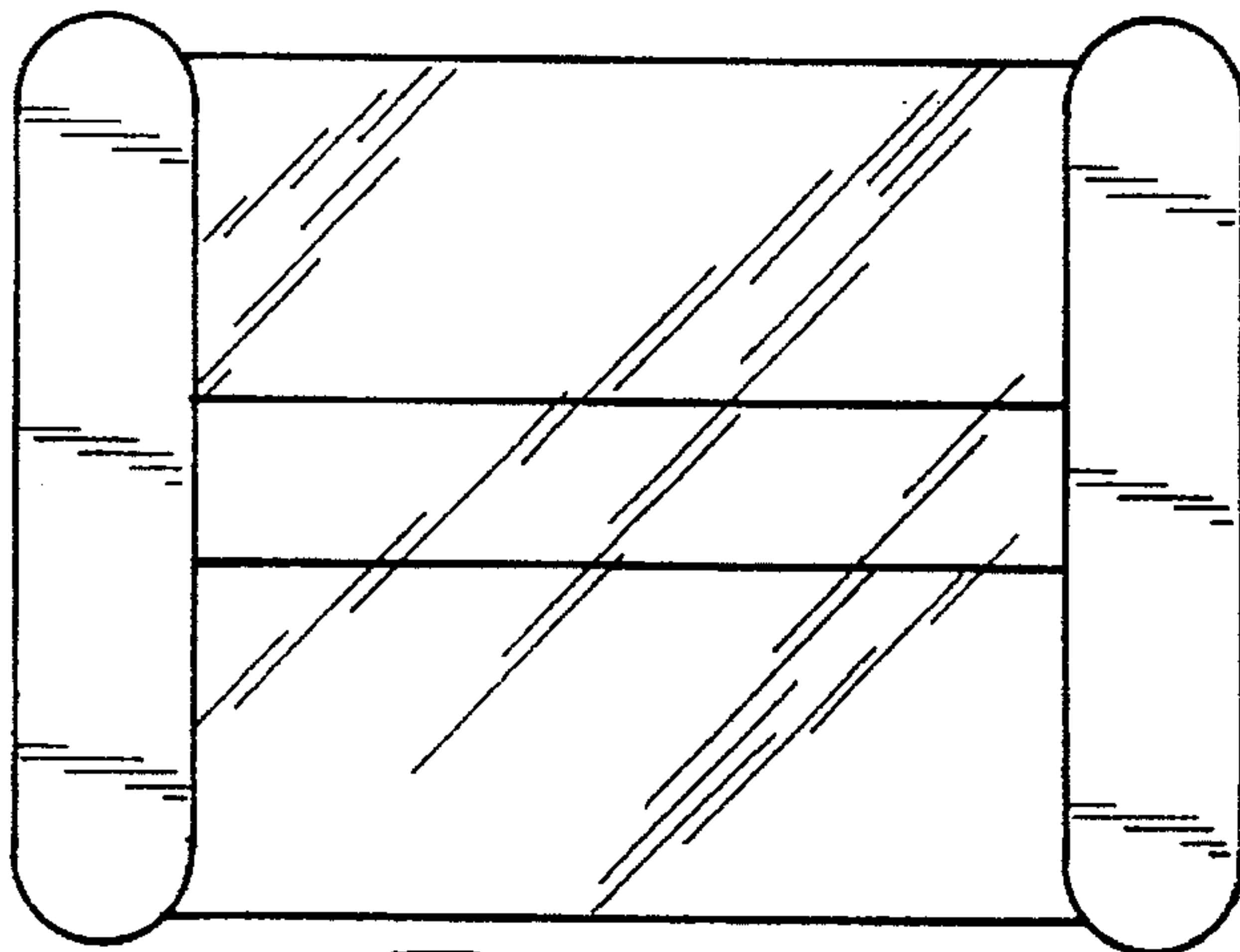




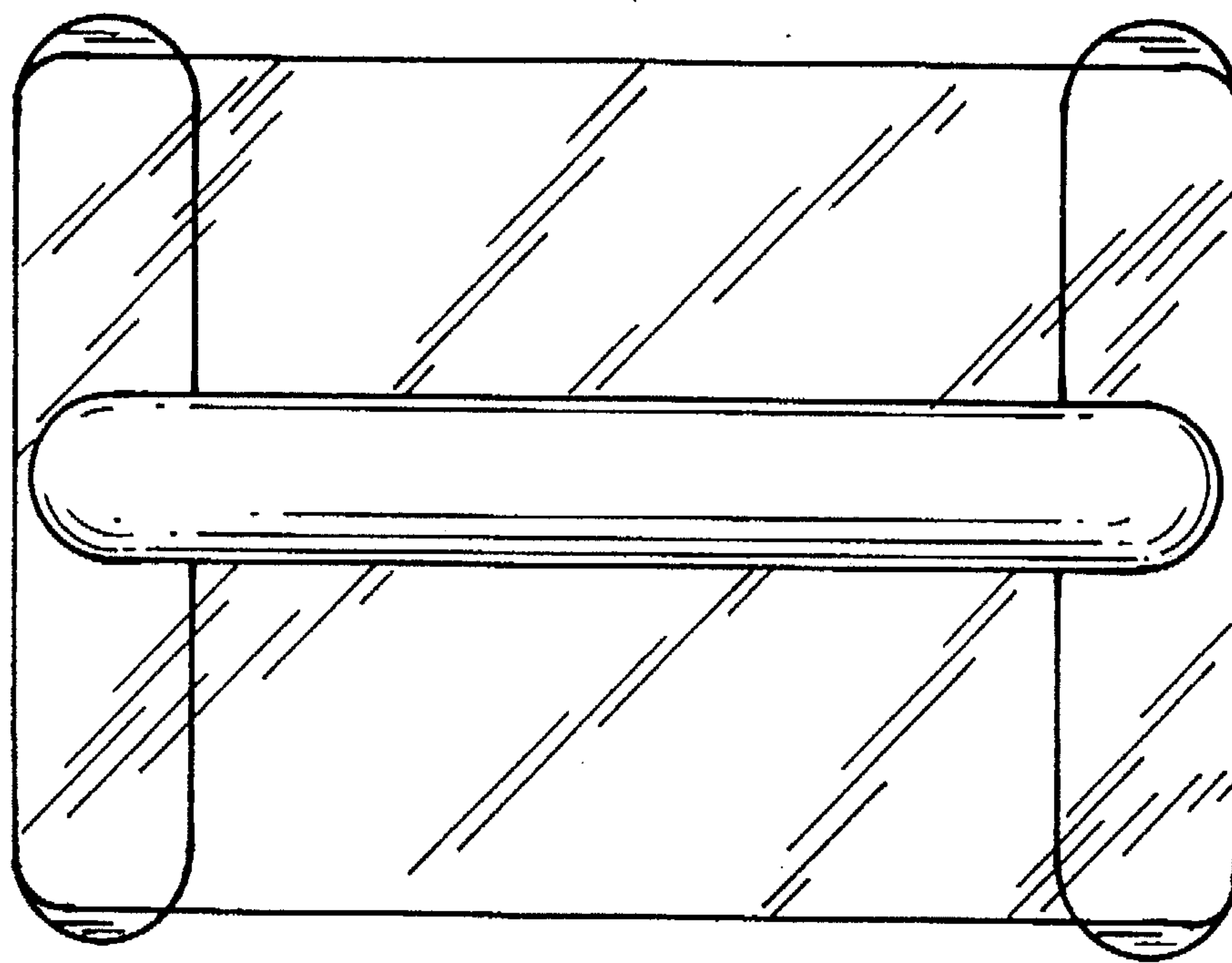
*Fig. 2*



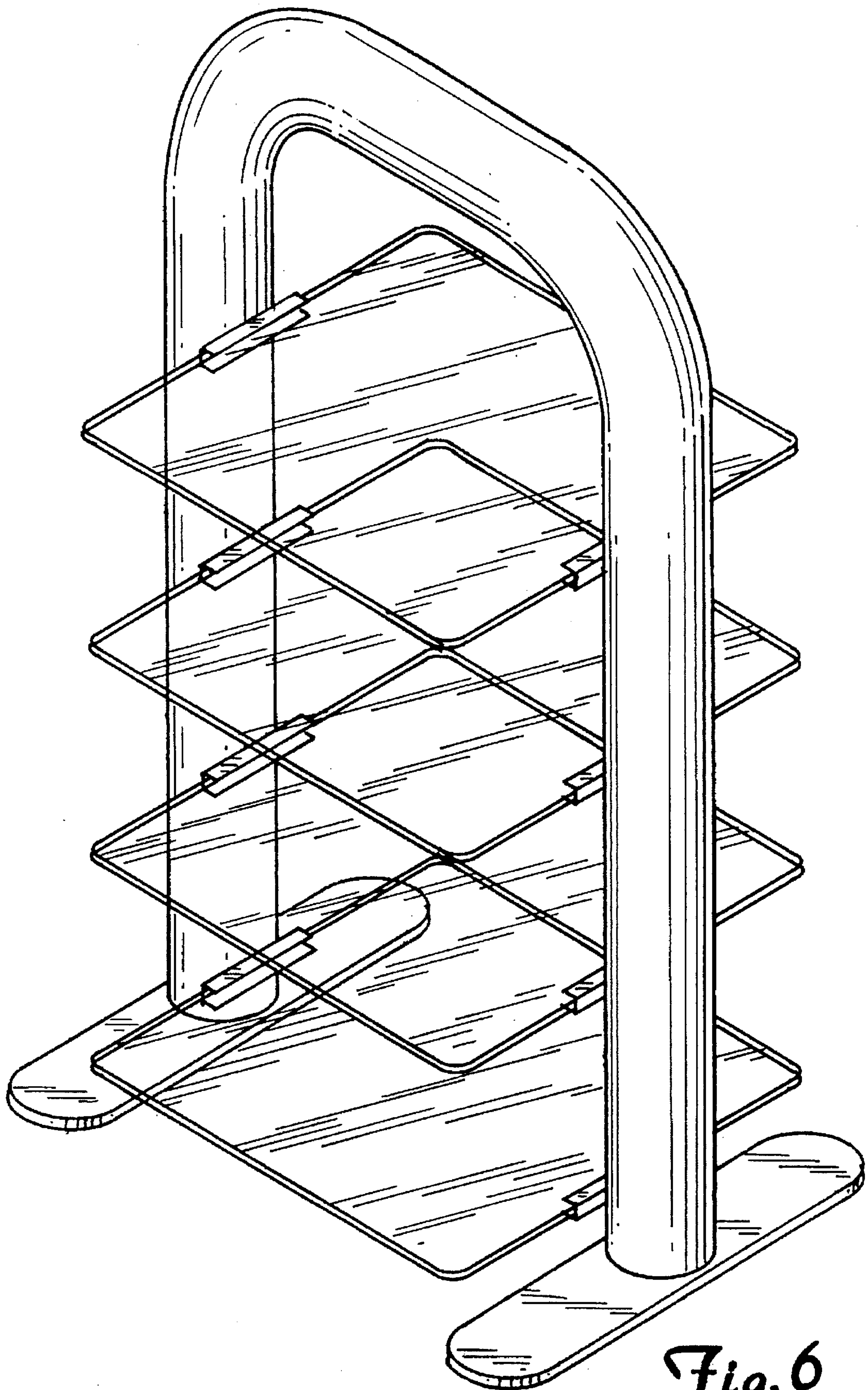
*Fig. 3*



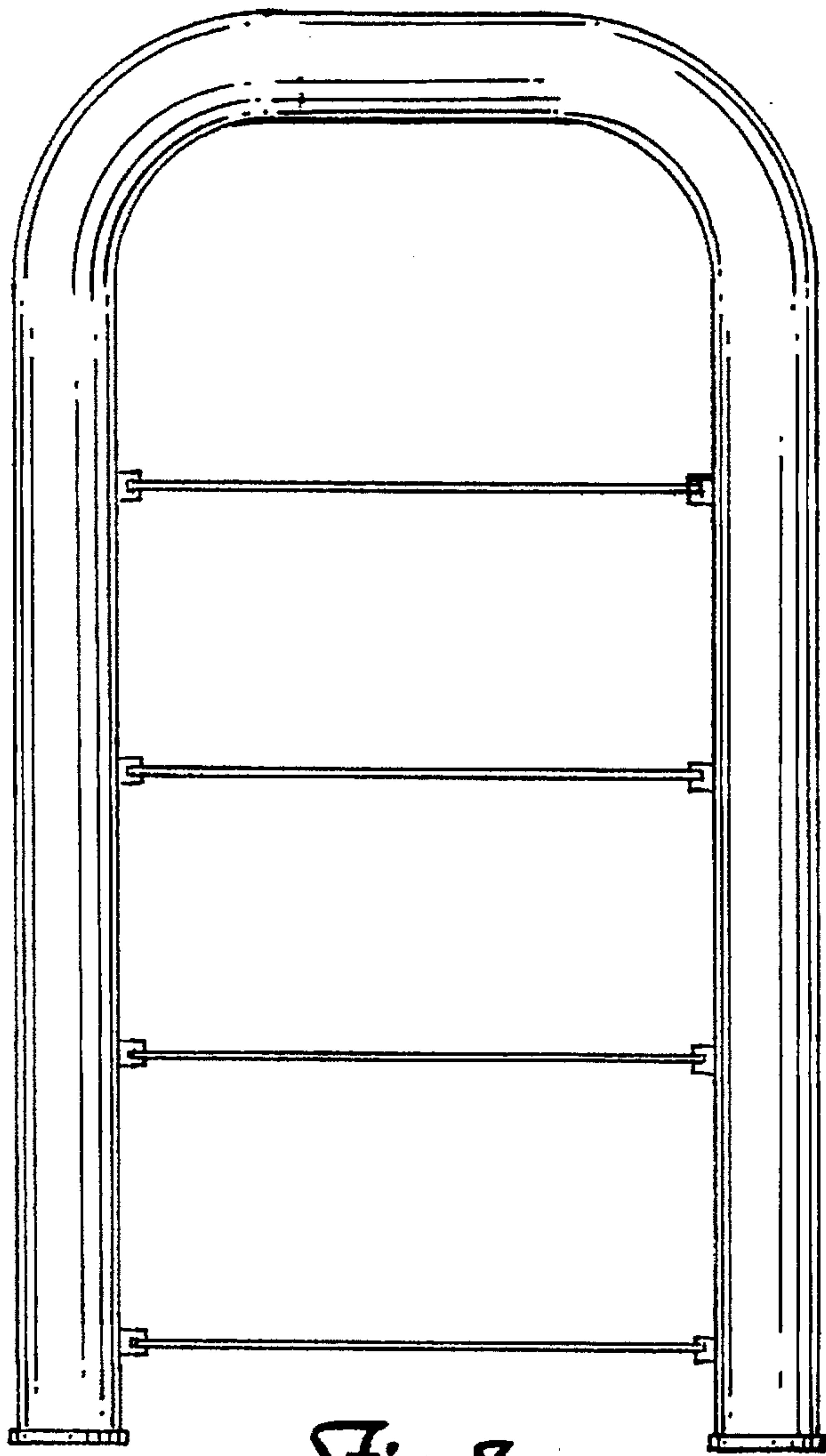
*Fig. 4*



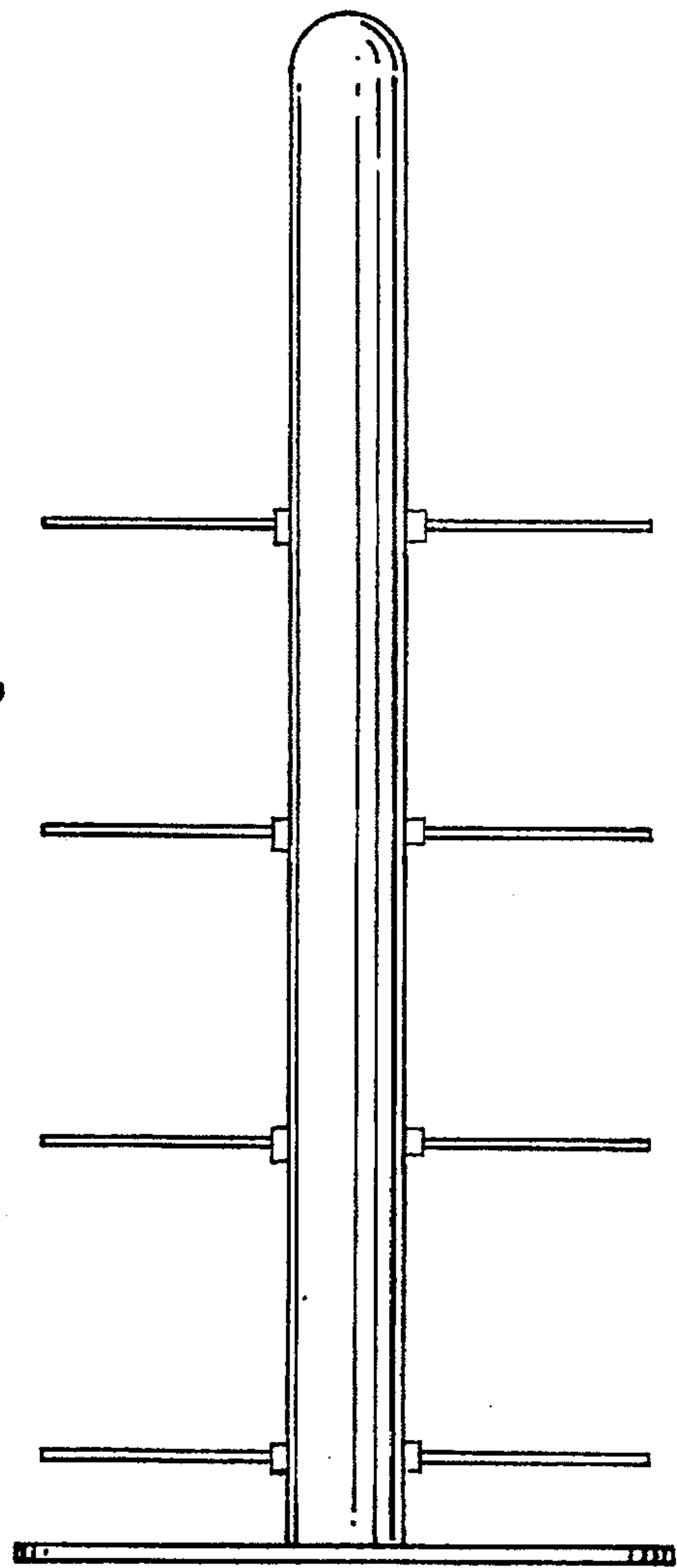
*Fig. 5*



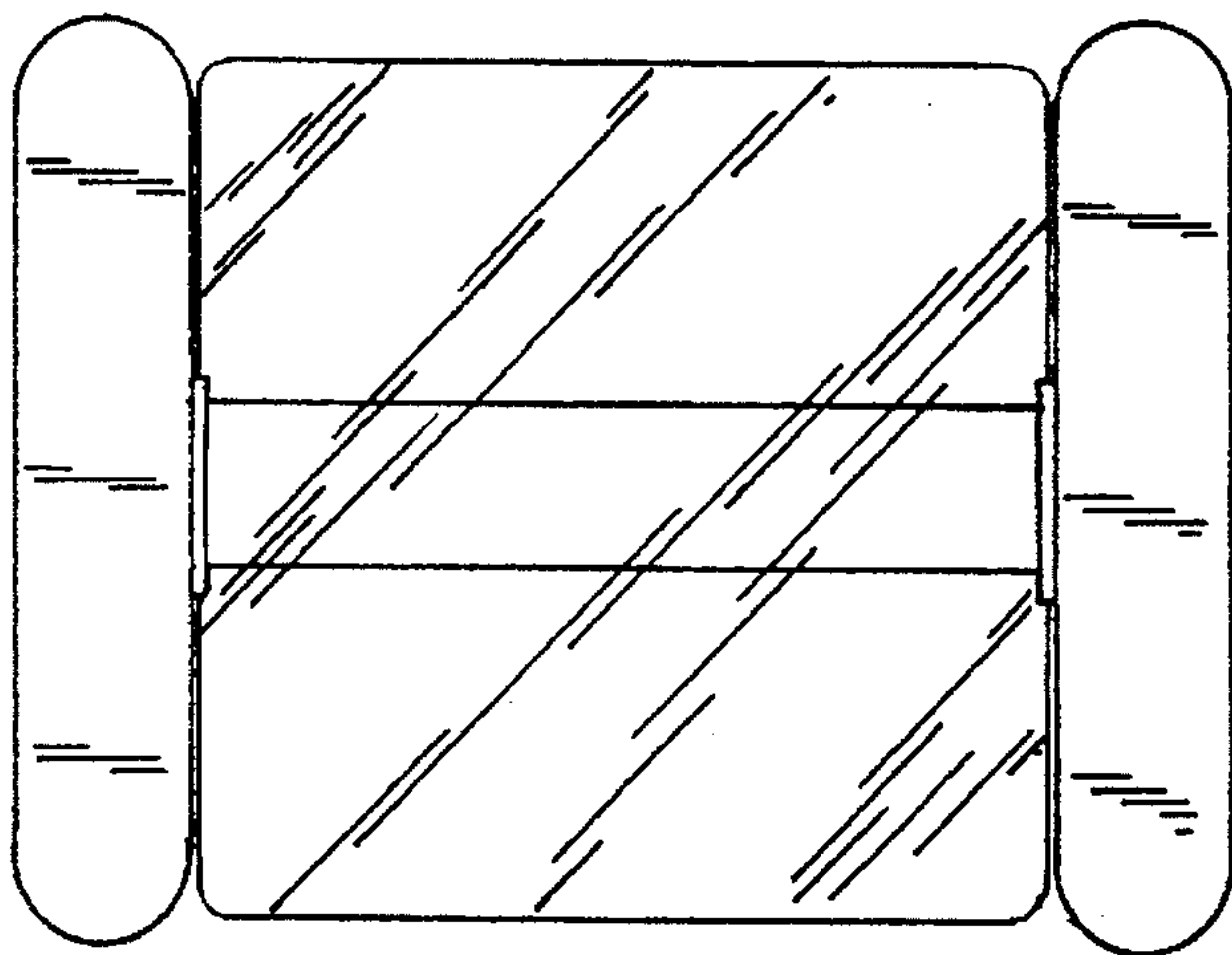
*Fig. 6*



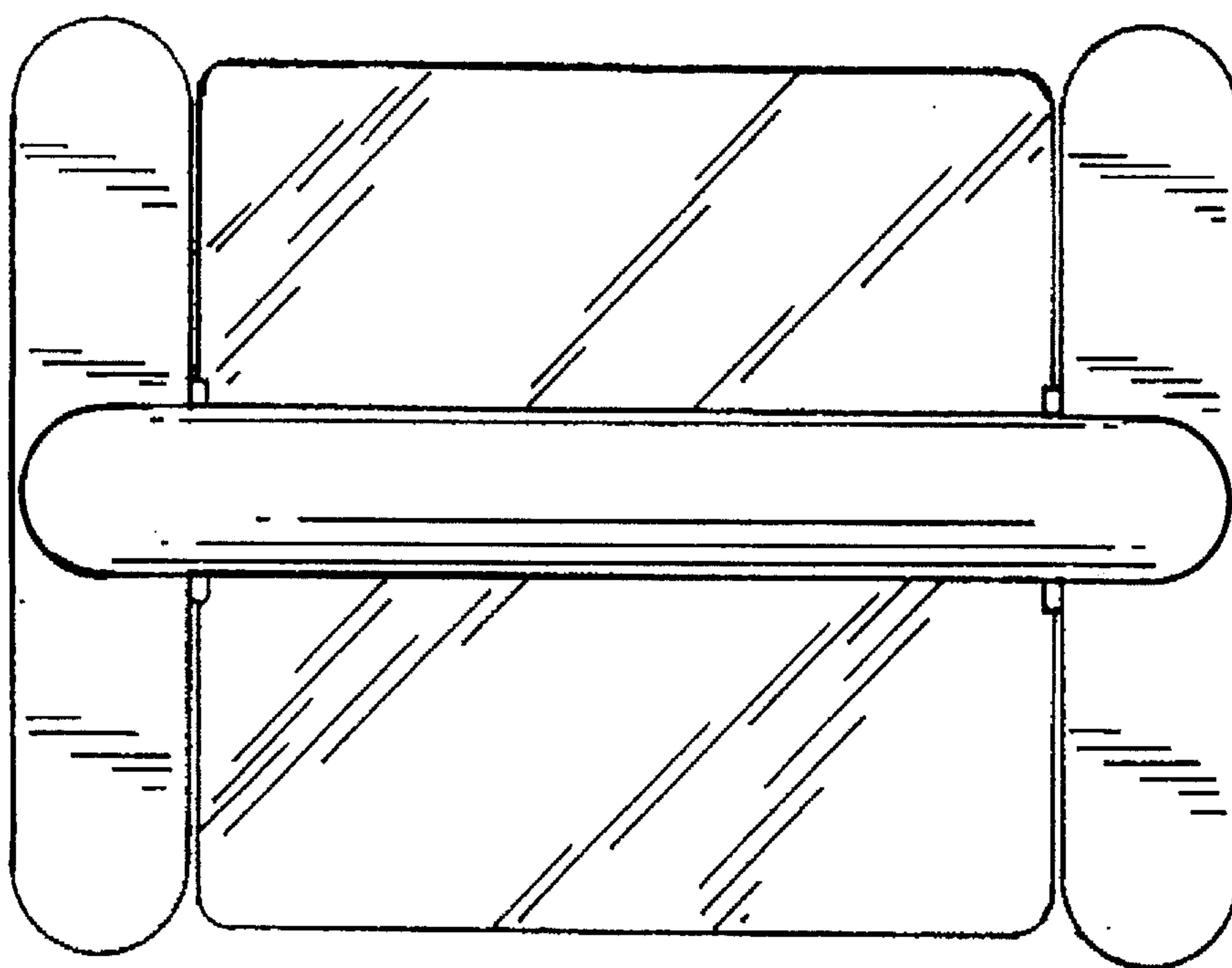
*Fig. 7*



*Fig. 8*



*Fig. 9*



*Fig. 10*