



US00D381839S

United States Patent [19]

[11] Patent Number: **Des. 381,839**

Dorigo

[45] Date of Patent: ****Aug. 5, 1997**

[54] DISPLAY UNIT

[75] Inventor: **Francesco Dorigo**, Vista, Calif.

[73] Assignee: **Fax Foods**, Vista, Calif.

[**] Term: **14 Years**

[21] Appl. No.: **51,753**

[22] Filed: **Mar. 18, 1996**

[51] LOC (6) Cl. **06-04**

[52] U.S. Cl. **D6/470**

[58] Field of Search D6/470-472, 473,
D6/559, 314, 553, 466, 467, 450; D20/42,
10; D19/90; 312/114, 116, 118

[56] References Cited

U.S. PATENT DOCUMENTS

D. 130,044	10/1941	Meyer	D6/472
D. 249,993	10/1978	Kelly	D6/473 X
D. 250,158	11/1978	Kelly	D6/473 X
D. 271,168	11/1983	Antonczyk	D6/559 X
D. 327,997	7/1992	Rubin	D6/314 X
D. 357,704	4/1995	Wolff	D20/42 X
D. 368,588	4/1996	Goraleski et al.	D6/314 X
D. 370,568	6/1996	Wynne	D6/314 X
2,681,262	6/1954	Vincent	312/118
3,963,289	6/1976	Pralle	312/114 X
5,524,977	6/1996	Orawski	312/114

OTHER PUBLICATIONS

Display Innovations in Acrylic, p. 7, Showcases at Center.

Primary Examiner—Jeffrey Asch
Attorney, Agent, or Firm—James E. Brunton

[57] CLAIM

The ornamental design for display unit, as shown and described.

DESCRIPTION

FIG. 1 is a perspective view of a display unit showing my new design;
 FIG. 2 is a top plan view thereof;
 FIG. 3 is a front elevational view thereof the opposite side being a mirror image thereof;
 FIG. 4 is a left end view thereof;
 FIG. 5 is a right end view thereof;
 FIG. 6 is a bottom view thereof;
 FIG. 7 is a cross-sectional view taken along lines 7—7 of FIG. 3; and,
 FIG. 8 is a cross-sectional view taken along lines 8—8 of FIG. 3.

The broken line showings of a partial display base in FIG. 1 and of the displayed food items in FIGS. 3-5 are for illustrative purposes only and form no part of the claimed design.

1 Claim, 3 Drawing Sheets

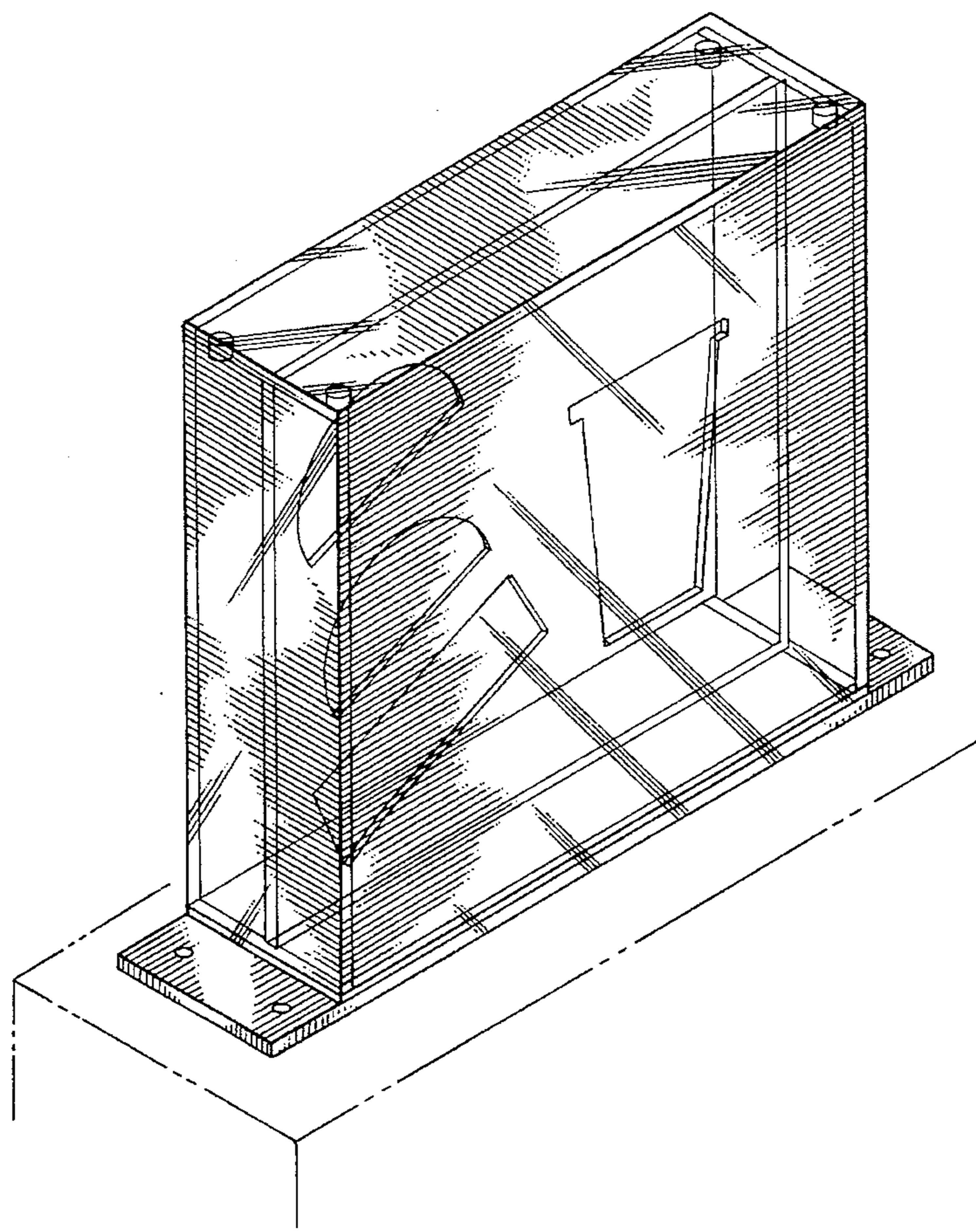


FIG. 1

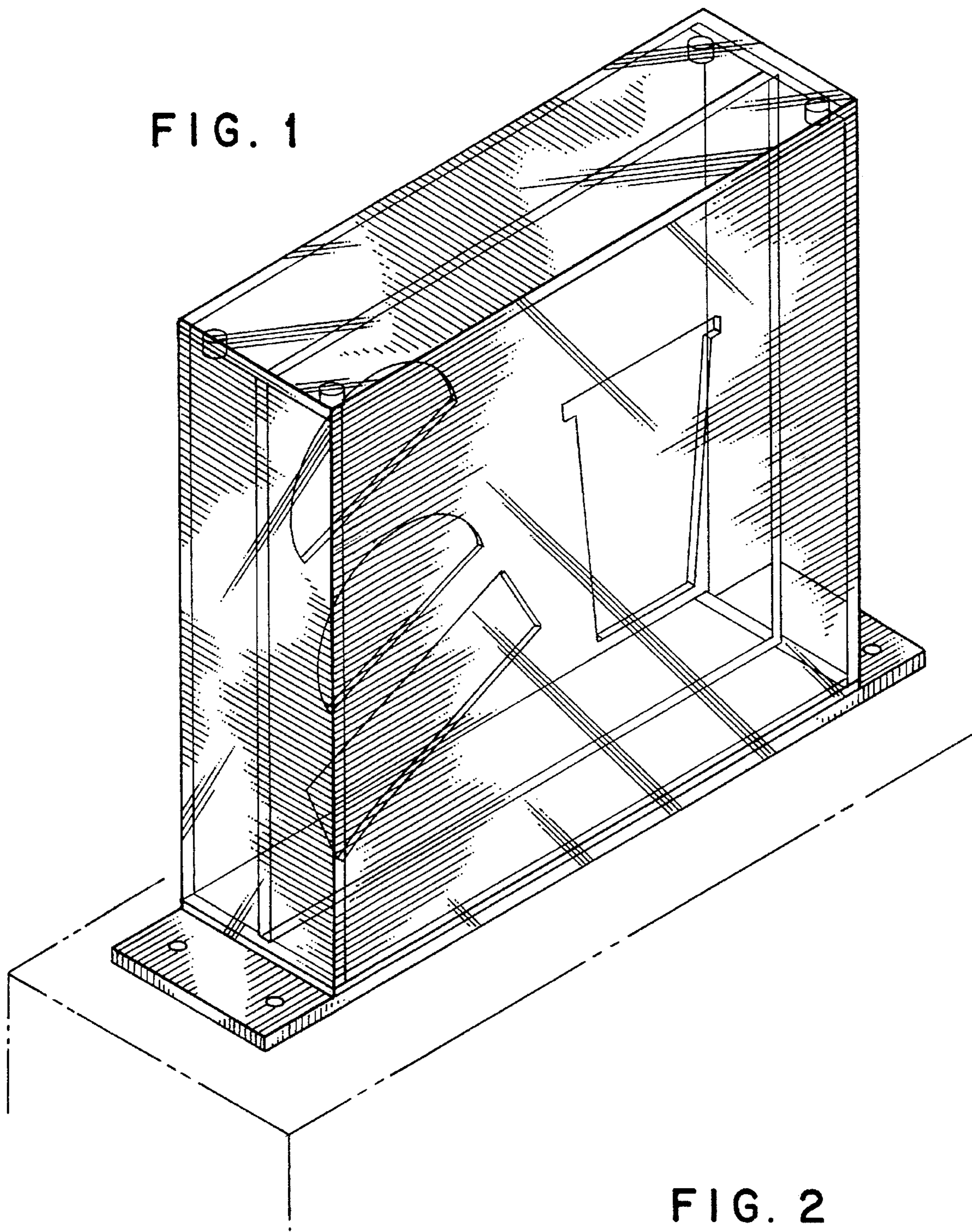


FIG. 2

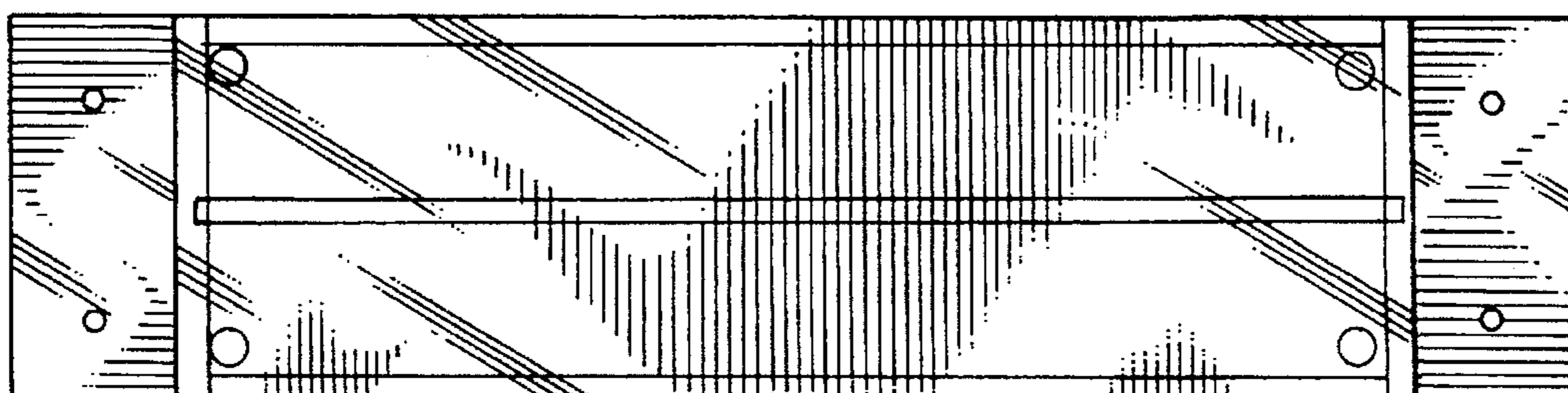


FIG. 3

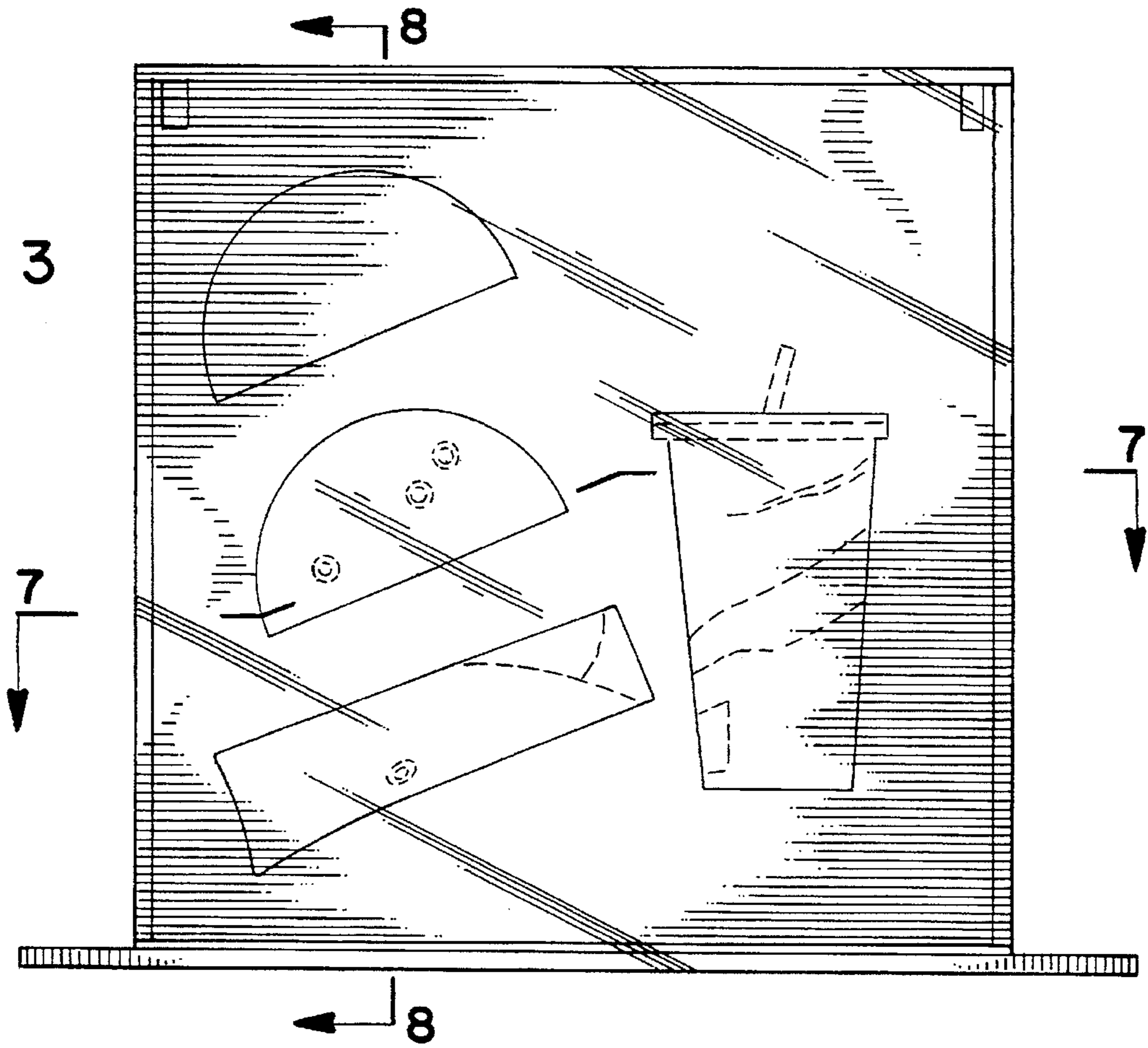


FIG. 4

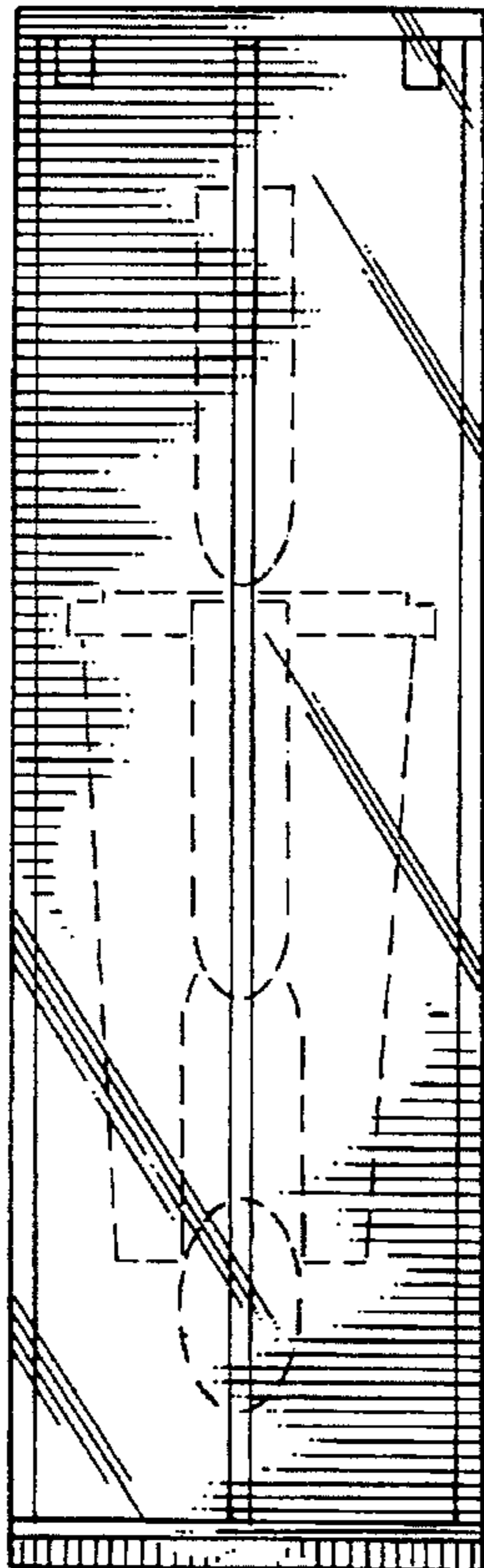
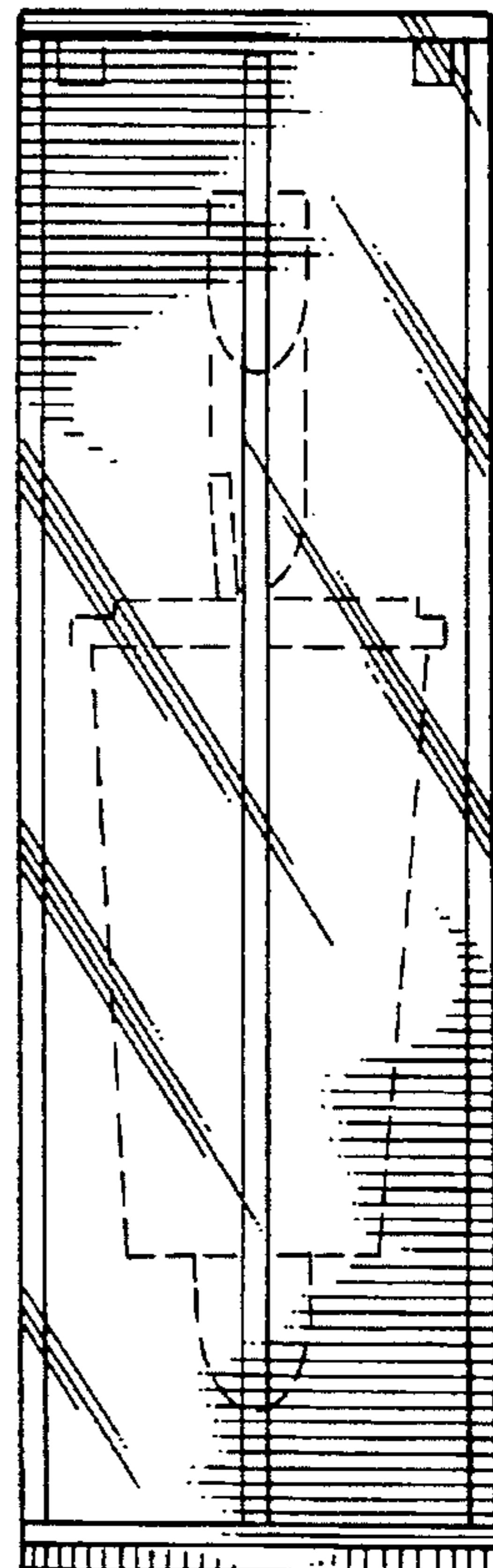


FIG. 5



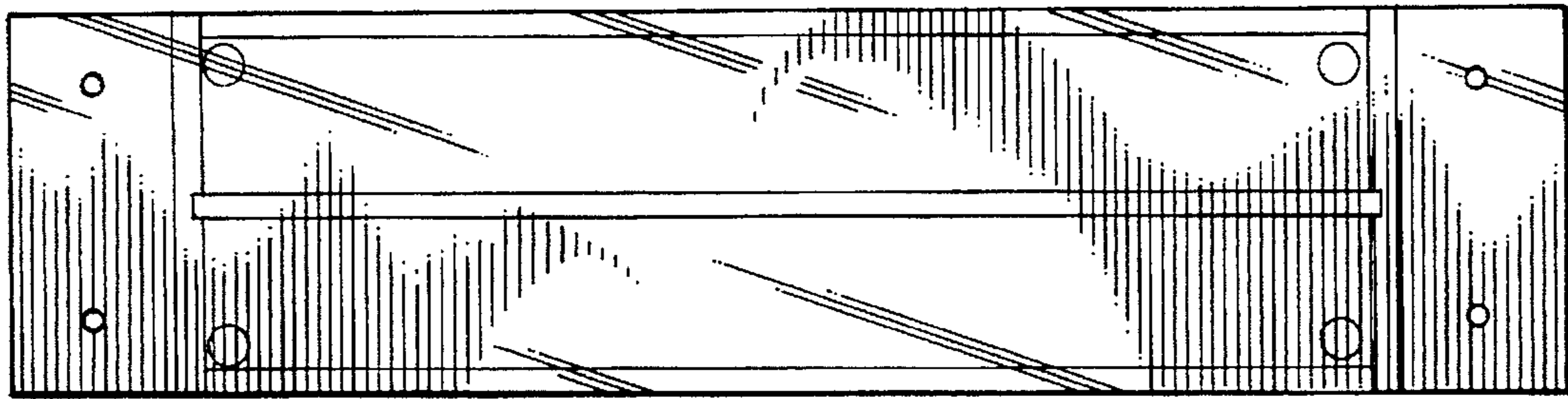


FIG. 6

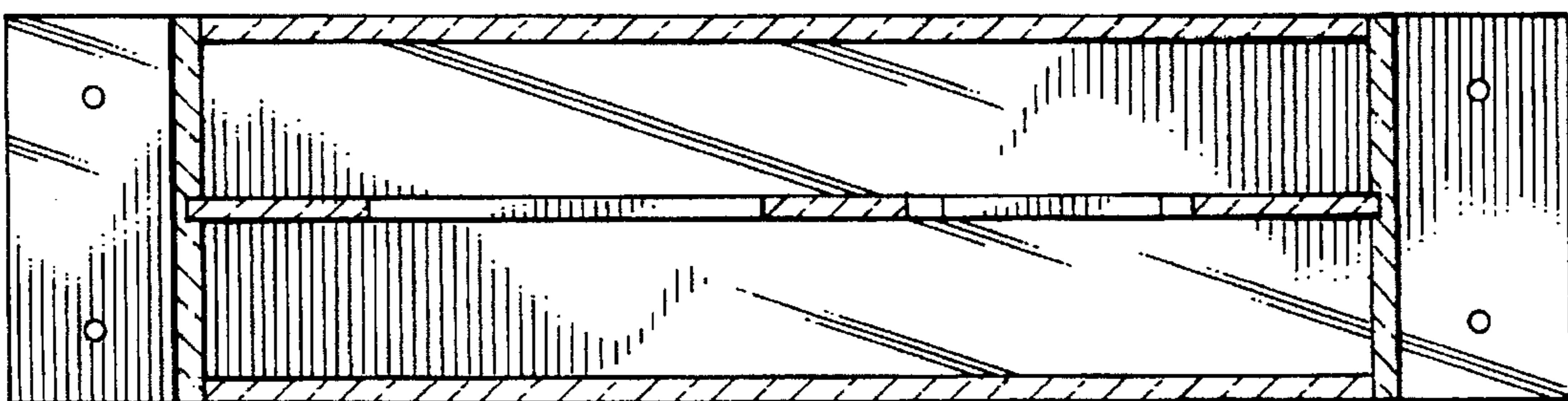


FIG. 7

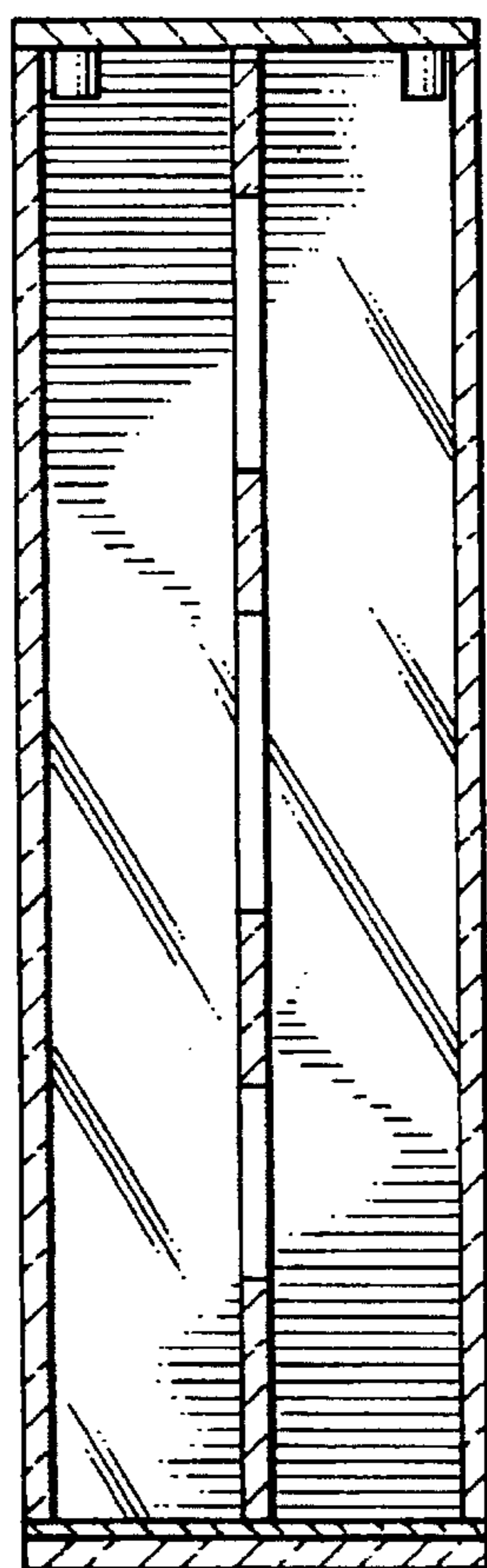


FIG. 8