



US00D381835S

United States Patent [19]
Corpuz, Jr. et al.

[11] **Patent Number: Des. 381,835**
[45] **Date of Patent: **Aug. 5, 1997**

[54] **KEYBOARD SUPPORT**
[75] Inventors: **Roque Matias Corpuz, Jr., Grand Rapids; Brian D. T. Alexander, Fennville, both of Mich.**
[73] Assignee: **Haworth, Inc., Holland, Mich.**
[**] Term: **14 Years**
[21] Appl. No.: **52,784**
[22] Filed: **Apr. 5, 1996**
[51] **LOC (6) Cl. 06-03**
[52] **U.S. Cl. D6/426; D6/428; D6/474; D34/20**
[58] **Field of Search D6/422-428, 474, D6/449, 429-431; D34/20, 21; 108/1, 5, 6, 28, 96, 144, 145, 105, 106; 312/194-196**

4,383,486 5/1983 Reineman et al. 108/2
4,561,619 12/1985 Robillard et al. D6/474 X
4,625,657 12/1986 Little et al. 108/93
4,646,655 3/1987 Robolin 108/92
4,863,124 9/1989 Ball et al. 108/28
5,088,420 2/1992 Russell 108/106
5,322,025 6/1994 Sherman et al. 108/147
5,398,622 3/1995 Lubinkas et al. 108/145
5,522,323 6/1996 Richard 108/10

OTHER PUBLICATIONS

Sir Co Advertisement, P155, Sep. 1985, Terminal Stand (TS-36).

Primary Examiner—Jeffrey Asch
Attorney, Agent, or Firm—Flynn, Thiel, Boutell & Tanis, P.C.

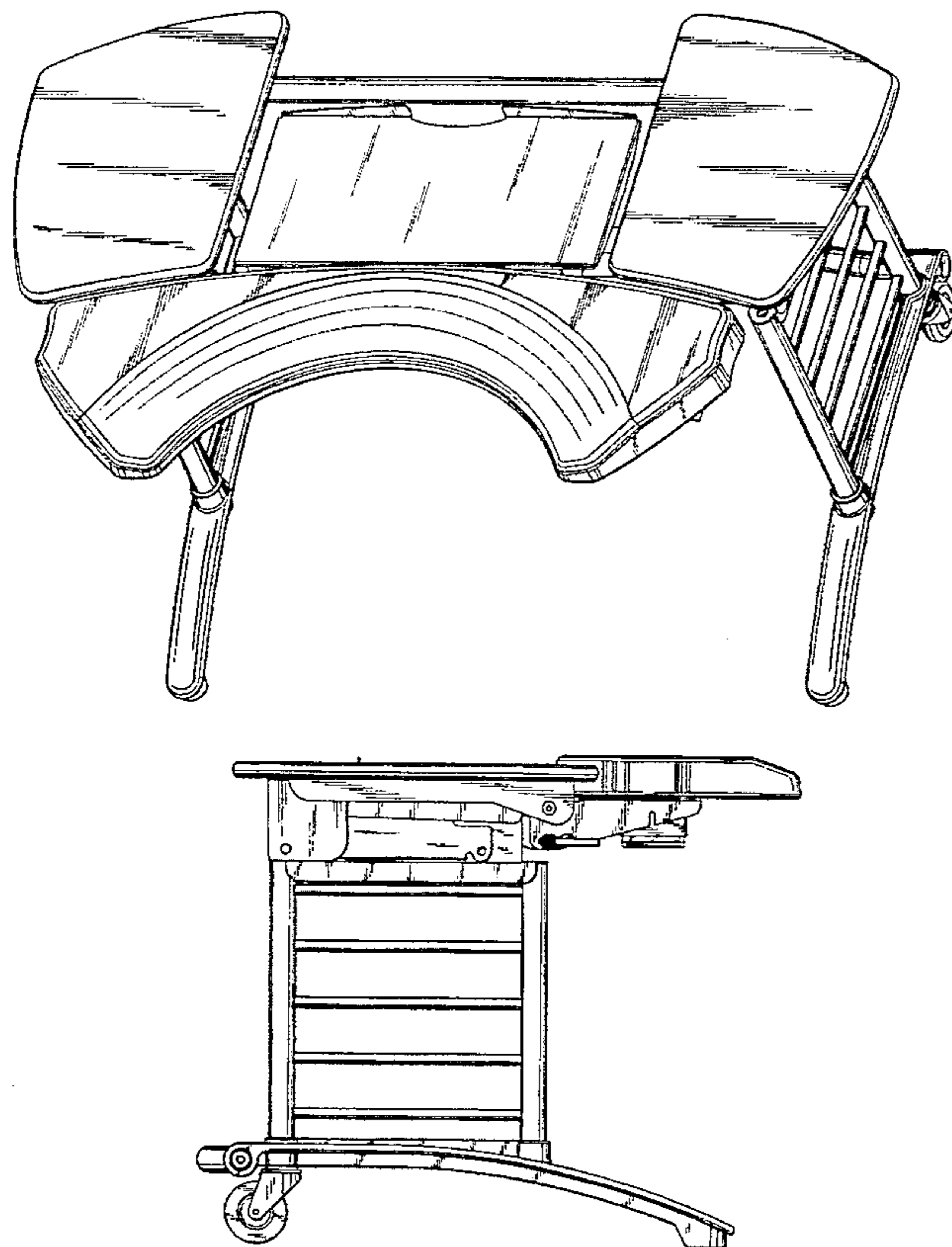
CLAIM

The ornamental design of a keyboard support, as shown and described.

DESCRIPTION

FIG. 1 is a top, front, right perspective view showing the keyboard support of our design;
FIG. 2 is a top, back, left perspective view thereof;
FIG. 3 is a top plan view thereof;
FIG. 4 is a bottom plan view thereof;
FIG. 5 is a front view thereof;
FIG. 6 is a back view thereof;
FIG. 7 is a right view thereof; and,
FIG. 8 is a left view thereof.

1 Claim, 8 Drawing Sheets



[56] **References Cited**
U.S. PATENT DOCUMENTS
D. 276,199 11/1984 Kwiecinski et al. D6/426 X
D. 288,097 2/1987 Harter et al. D14/114
D. 300,490 4/1989 Helstab D6/474
D. 315,261 3/1991 Ng et al. D6/428 X
D. 323,437 1/1992 Hashimoto et al. D6/426 X
D. 353,279 12/1994 Funk D6/474 X
D. 361,228 8/1995 Hassel et al. D6/428 X
D. 367,774 3/1996 Wood, Jr. D6/422
D. 371,255 7/1996 Richard D6/426
2,356,924 8/1944 Froelich 45/90
2,545,515 3/1951 Gannett et al. 311/39

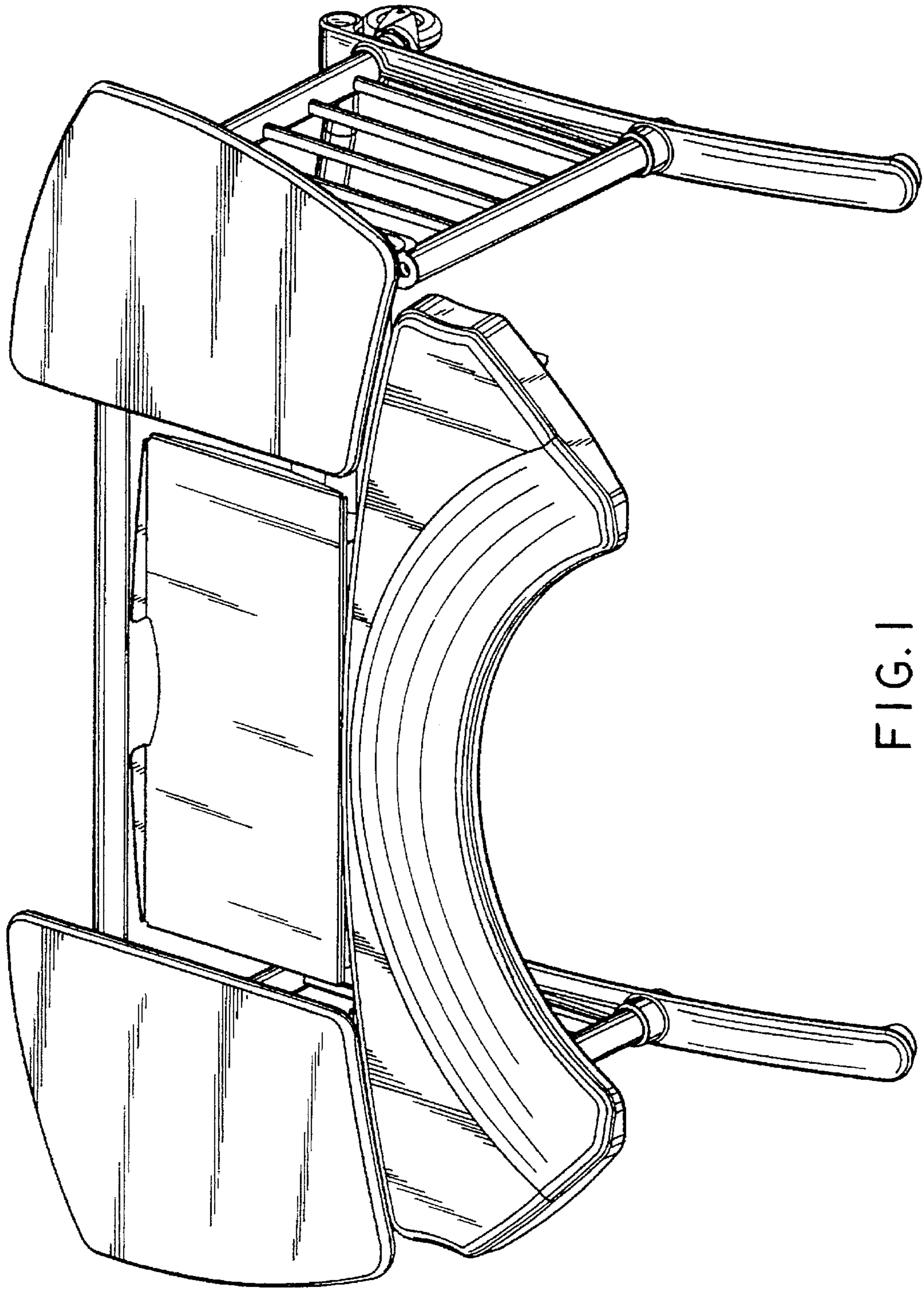


FIG. 1

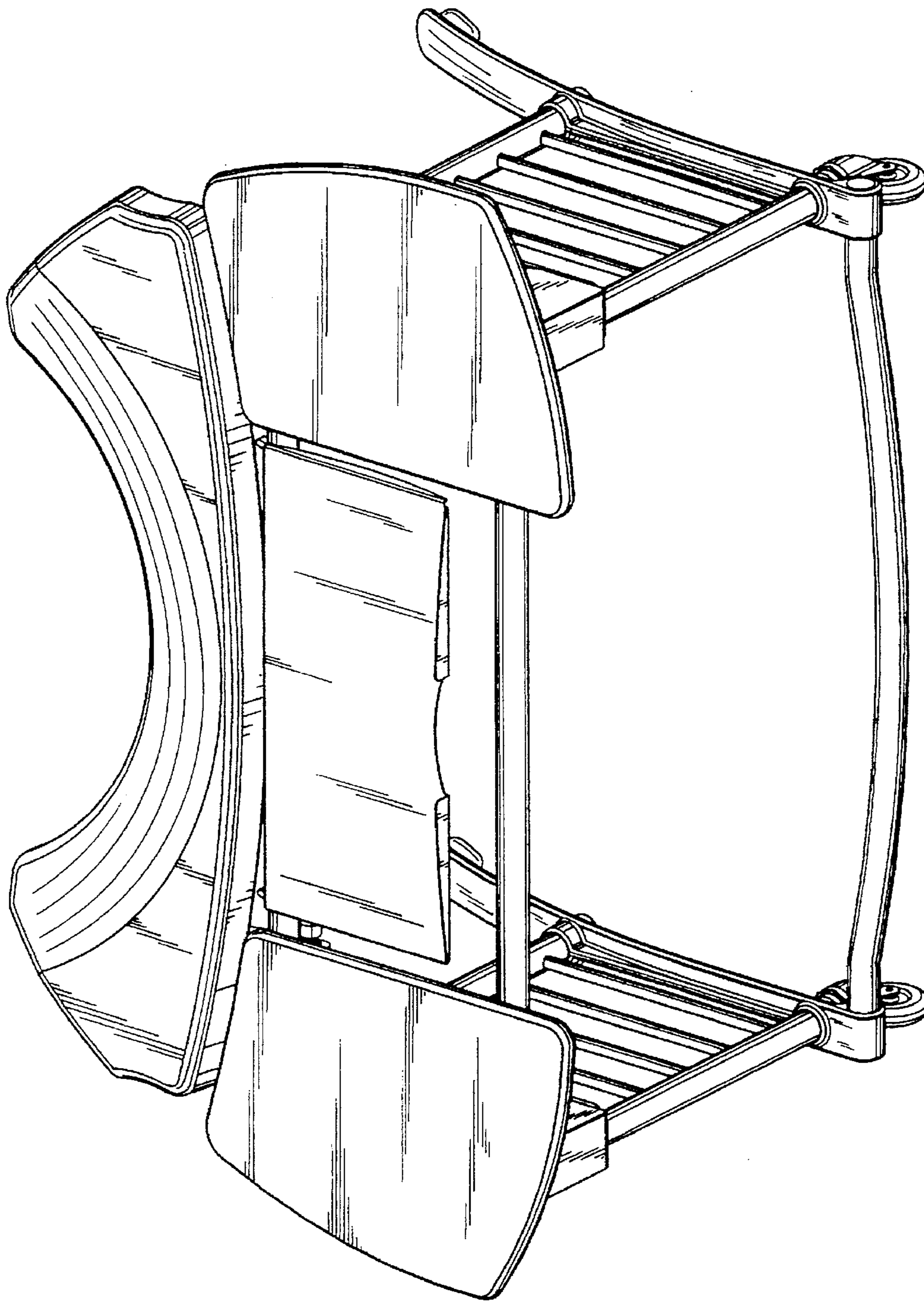


FIG. 2

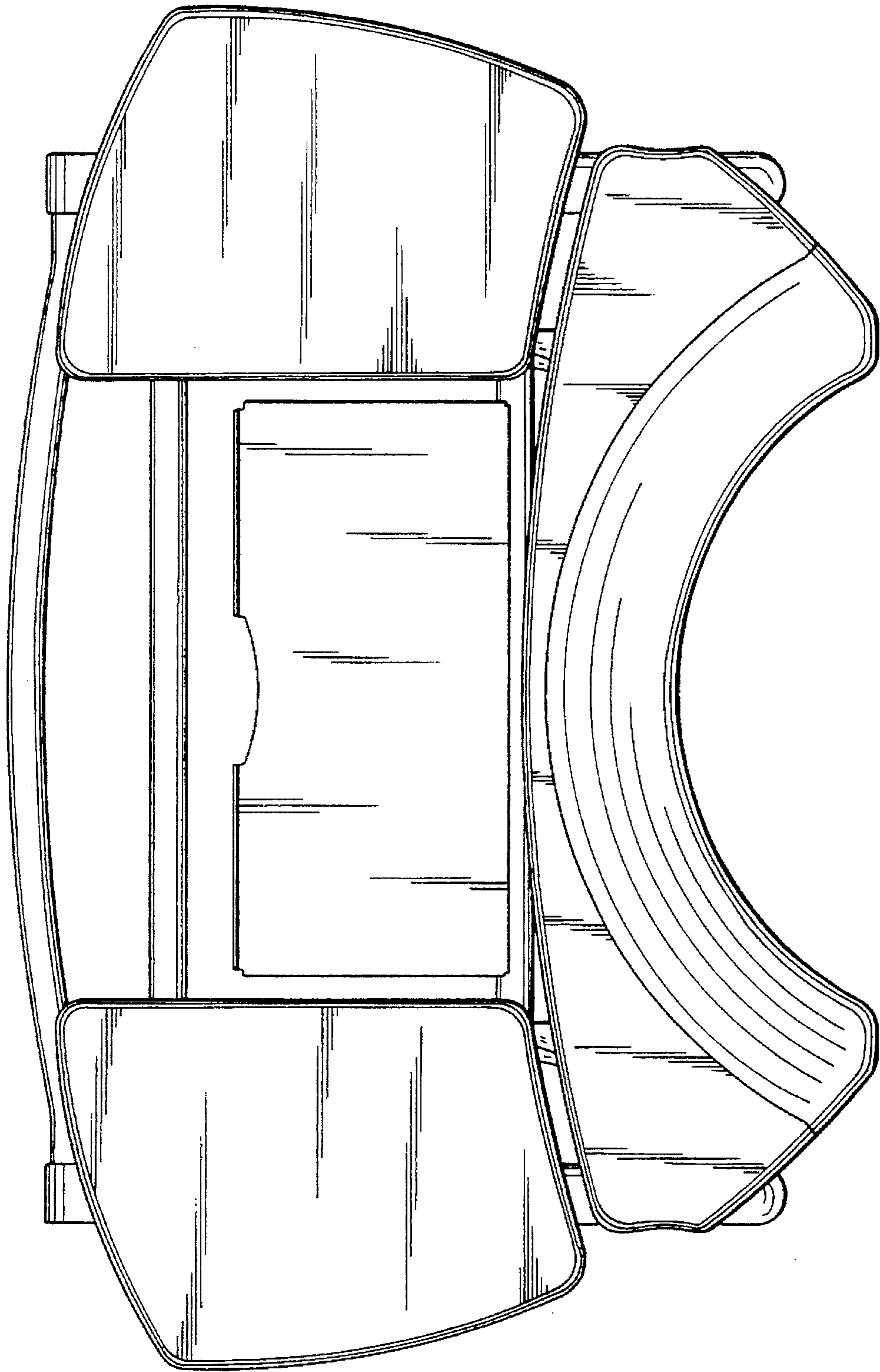


FIG. 3

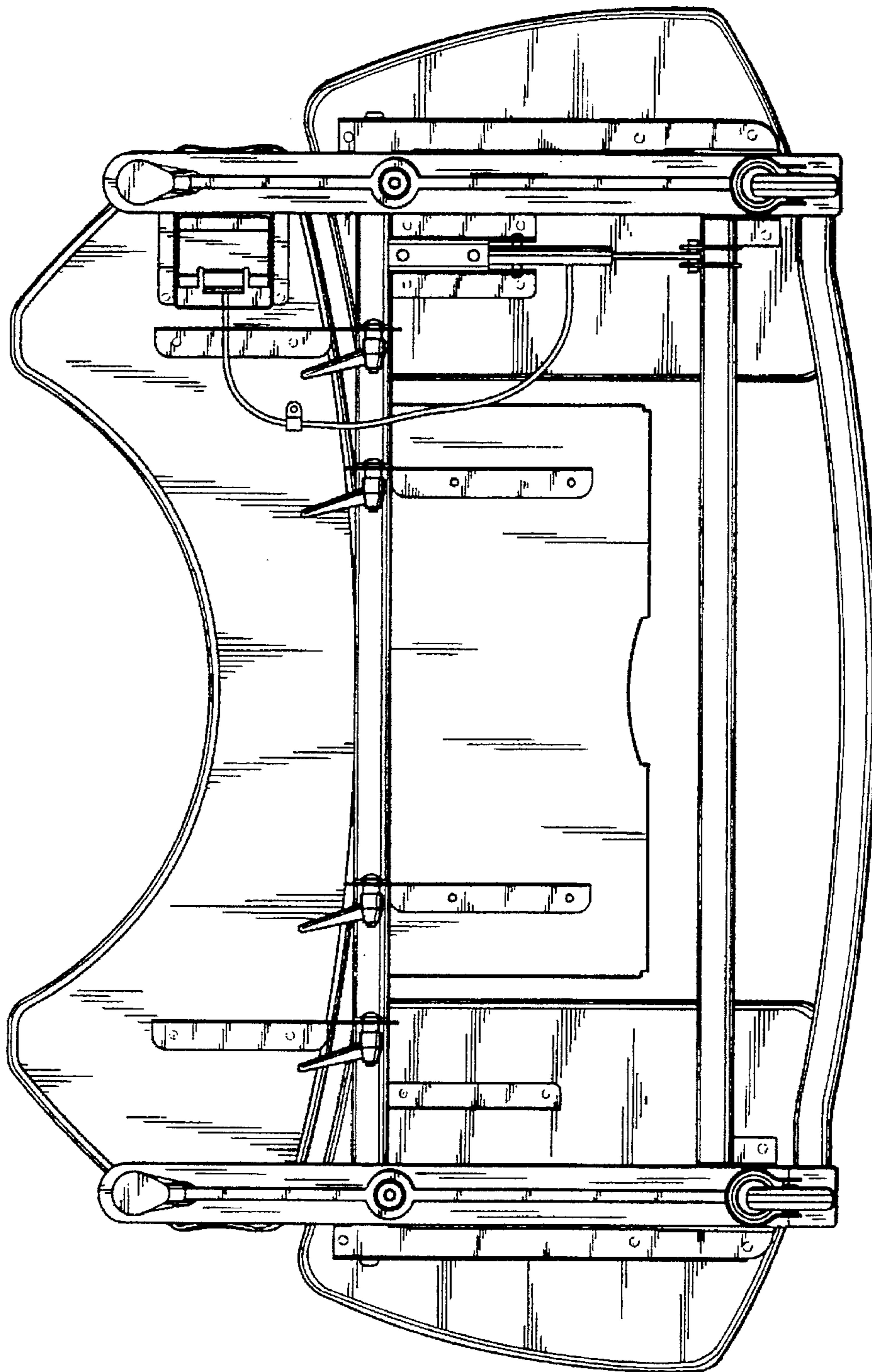


FIG. 4

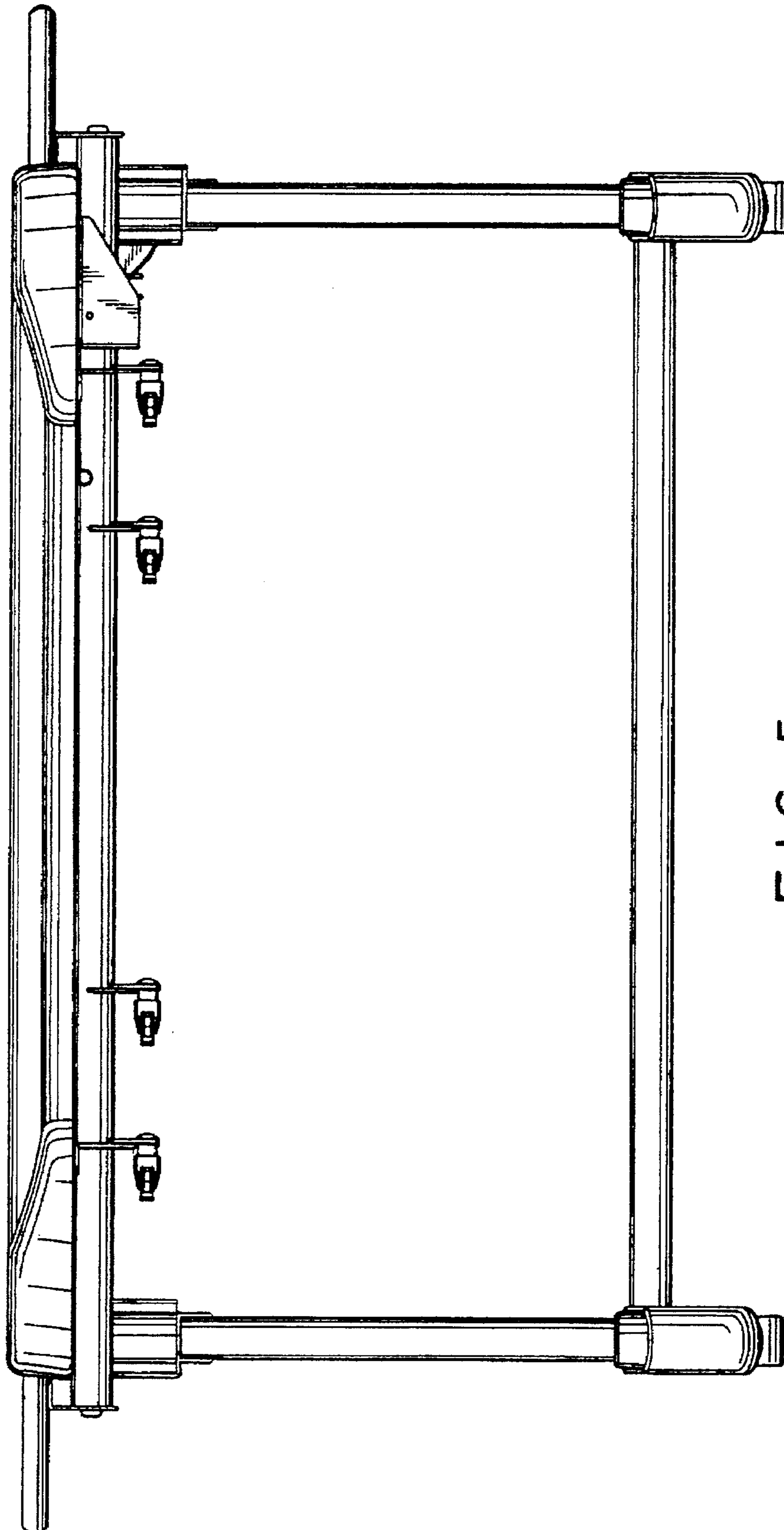


FIG. 5

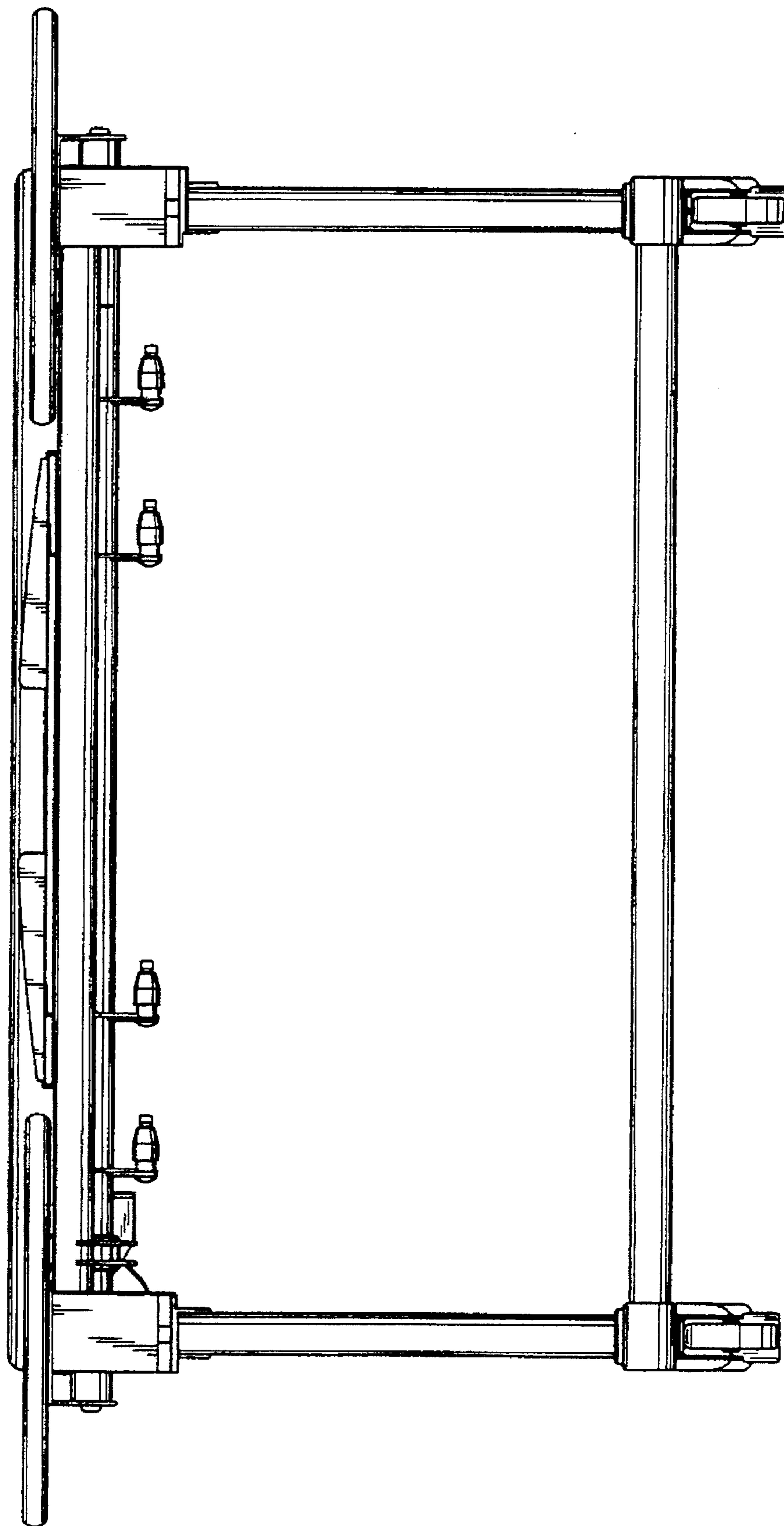


FIG. 6

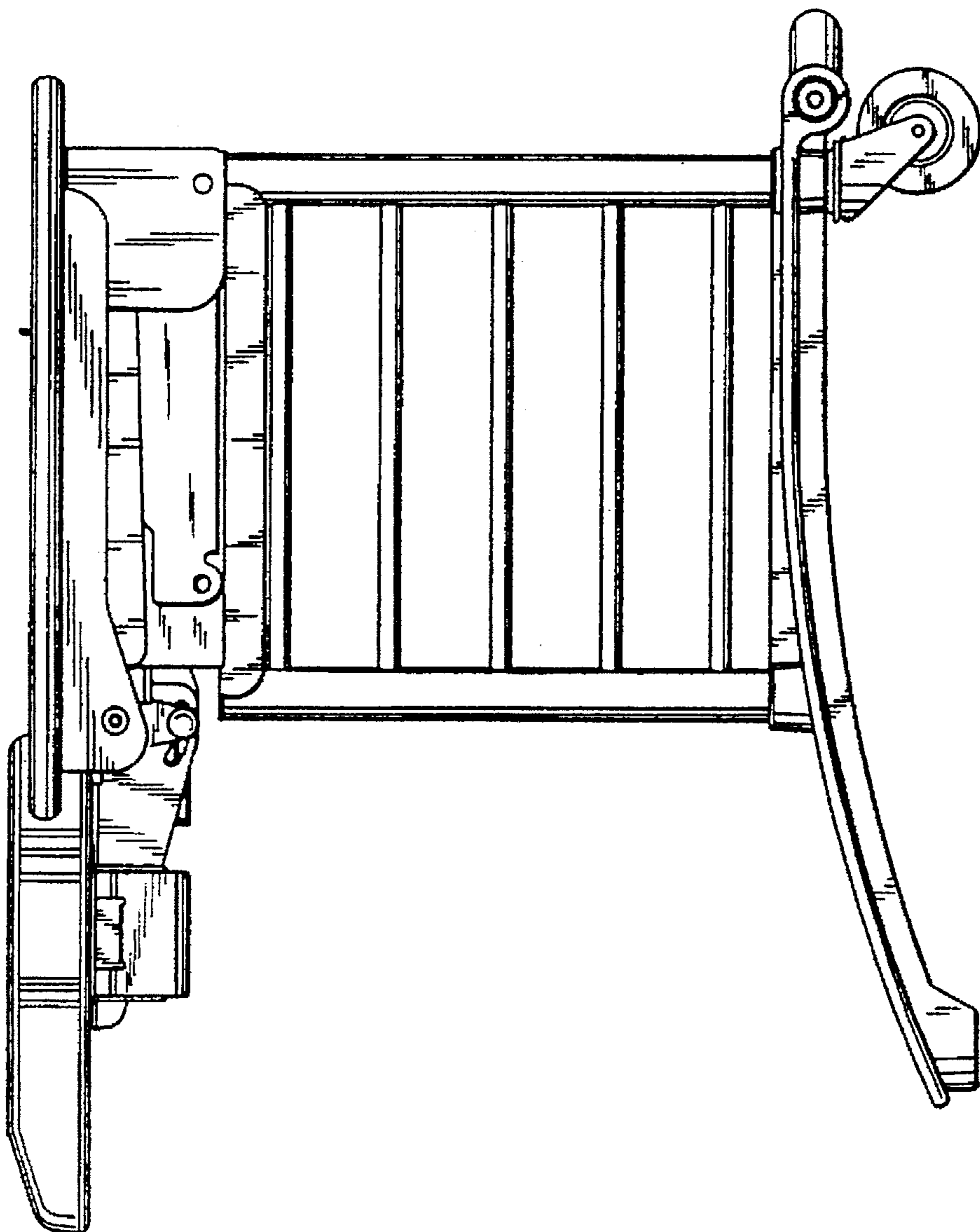


FIG. 7

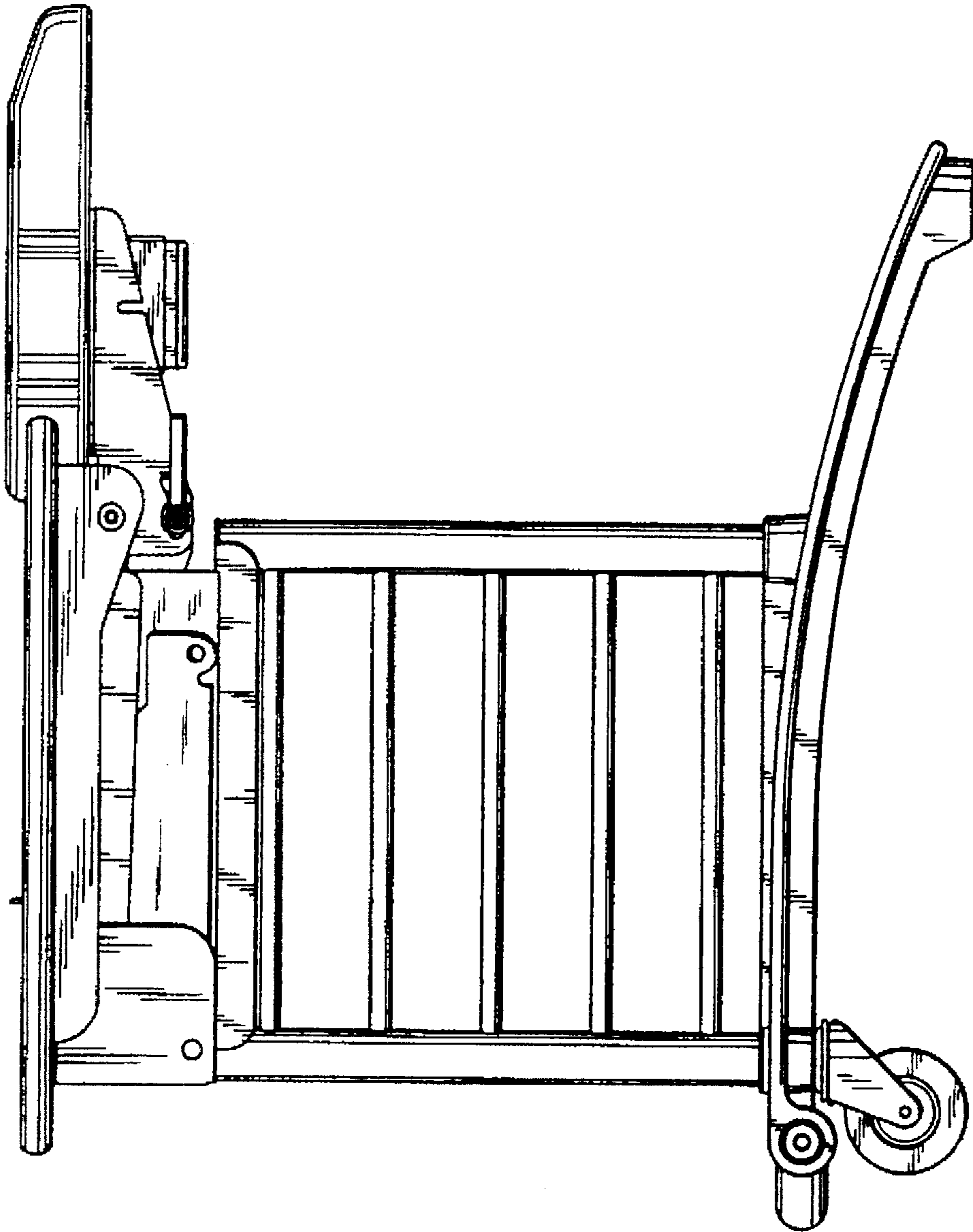


FIG. 8