



US00D381833S

United States Patent [19]

Farndon

[11] Patent Number: **Des. 381,833**

[45] Date of Patent: ****Aug. 5, 1997**

[54] **DESIGN FOR A RACK FOR DISPENSING SCREEN CLOTH**

[75] Inventor: **Stephen Farndon**, Thornhill, Canada

[73] Assignee: **Bay Mills Limited**, Oakville

[**] Term: **14 Years**

[21] Appl. No.: **27,177**

[22] Filed: **Aug. 15, 1994**

[51] LOC (6) Cl. **06-04**

[52] U.S. Cl. **D6/409; D15/127**

[58] **Field of Search** D6/409, 410, 411, D6/456, 462-465; D15/127, 145, 129; 211/44, 13; 26/13, 7, 15 R; 33/732; 242/555.1, 555.2, 555

[56] **References Cited**

U.S. PATENT DOCUMENTS

D. 218,917	10/1970	Trunspenger	D6/465	X
D. 218,918	10/1970	Trunspenger	D6/409	
D. 313,807	1/1991	Daniel	D15/127	
D. 327,487	6/1992	Di Bernardo	D15/145	

1,073,519	9/1913	Raabe	211/44	X
2,476,780	7/1949	Sullivan	26/13	
3,524,373	8/1970	Helmus, Jr. et al.	33/732	X
3,753,833	8/1973	Bassett et al.	242/555.1	
4,819,887	4/1989	Dueck	211/44	X

Primary Examiner—Jeffrey Asch

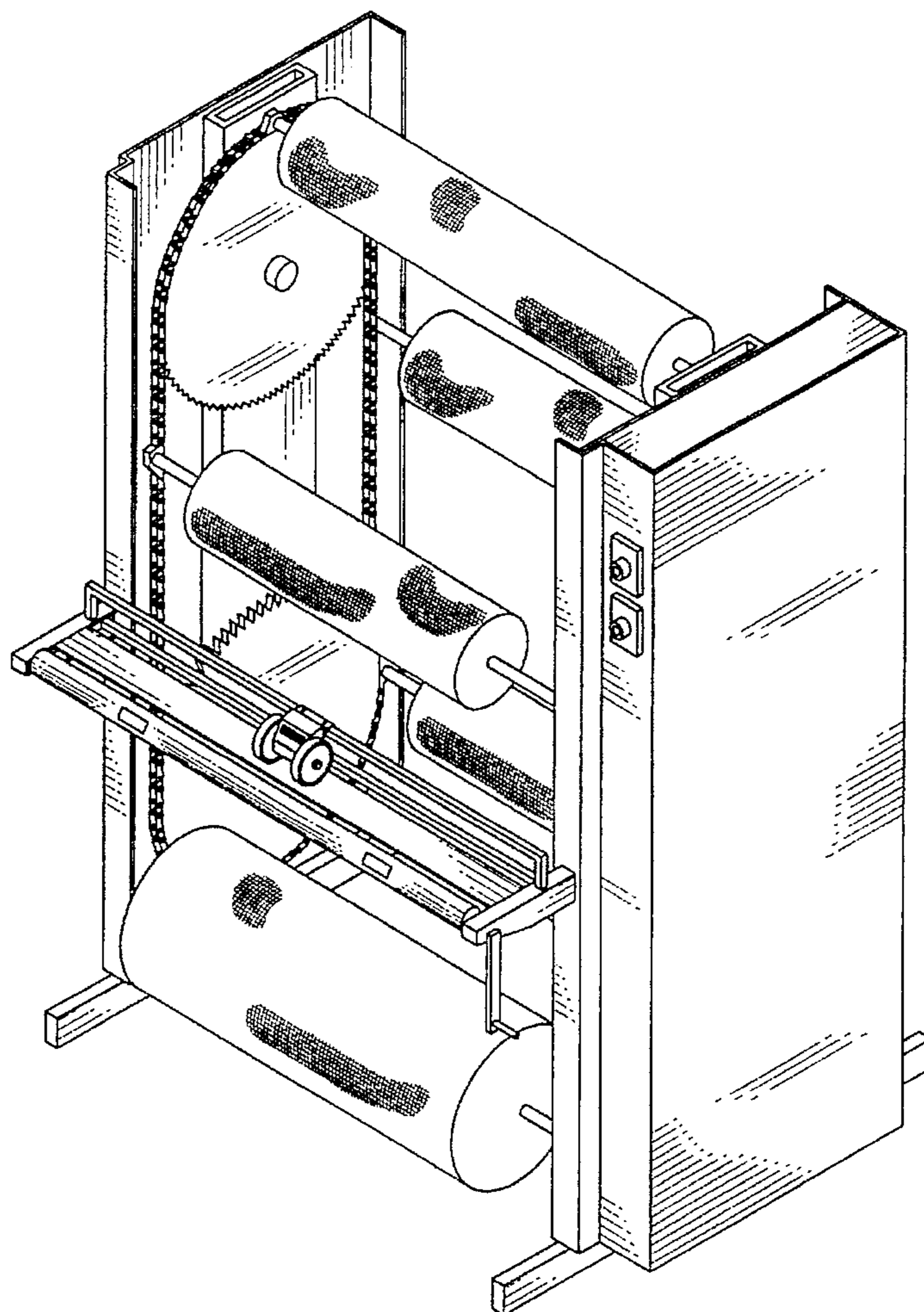
[57] **CLAIM**

The ornamental design for a rack for dispensing screen cloth, as shown and described.

DESCRIPTION

FIG. 1 is an isometric view of the rack for dispensing screen cloth which comprises this invention; FIG. 2 is a front view of the rack of FIG. 1; FIG. 3 is a rear view of the rack of FIG. 1; FIG. 4 is a top view of the rack of FIG. 1; FIG. 5 is a bottom view of the rack of FIG. 1; and FIG. 6 is a right side view of the rack of FIG. 1; FIG. 7 is a left side view of the rack of FIG. 1; and, FIG. 8 is an isometric view of a second embodiment of the rack for dispensing screen cloth equipped with a hand crank drive mechanism rather than an electric drive mechanism.

1 Claim, 5 Drawing Sheets



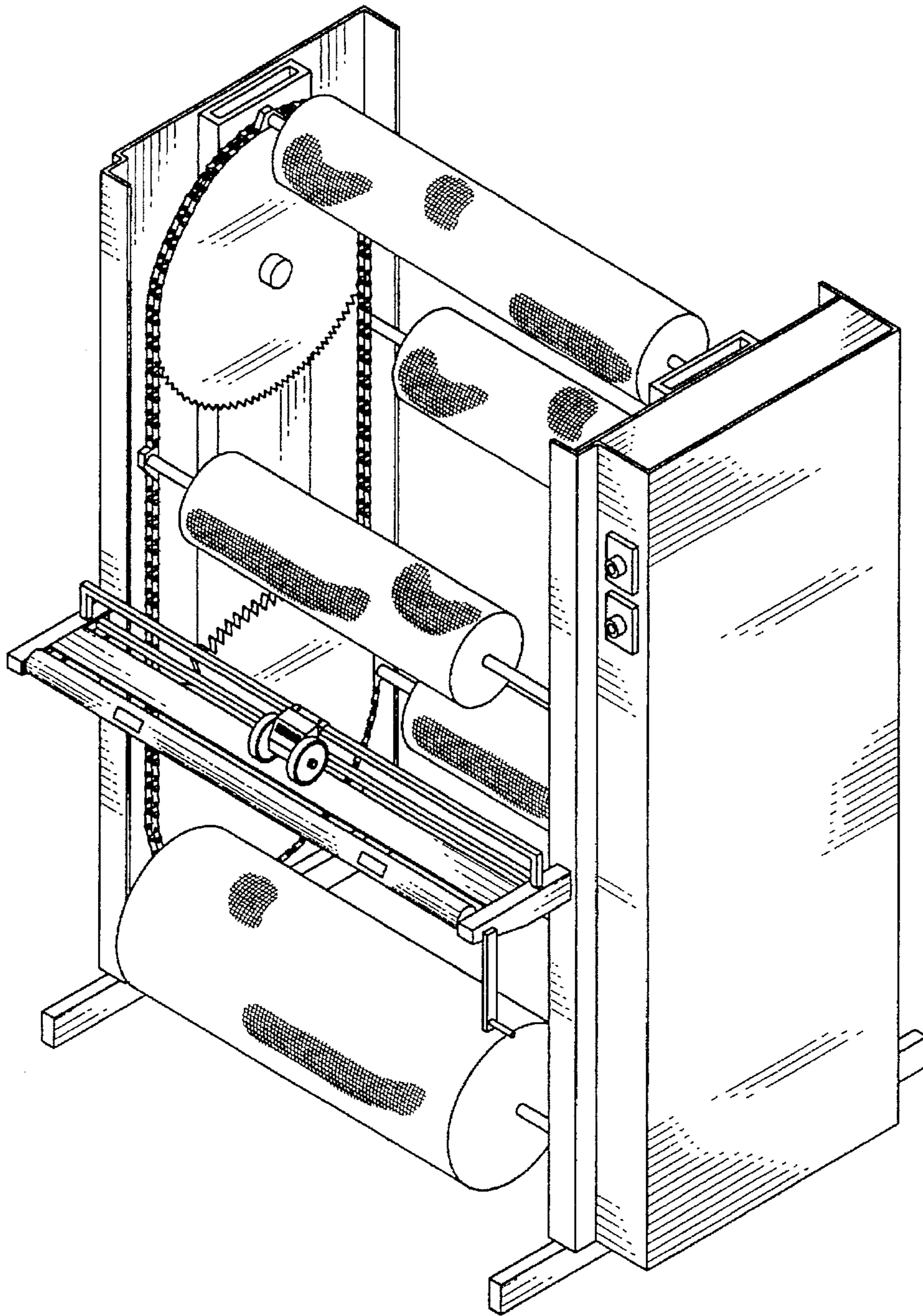


FIG. 1

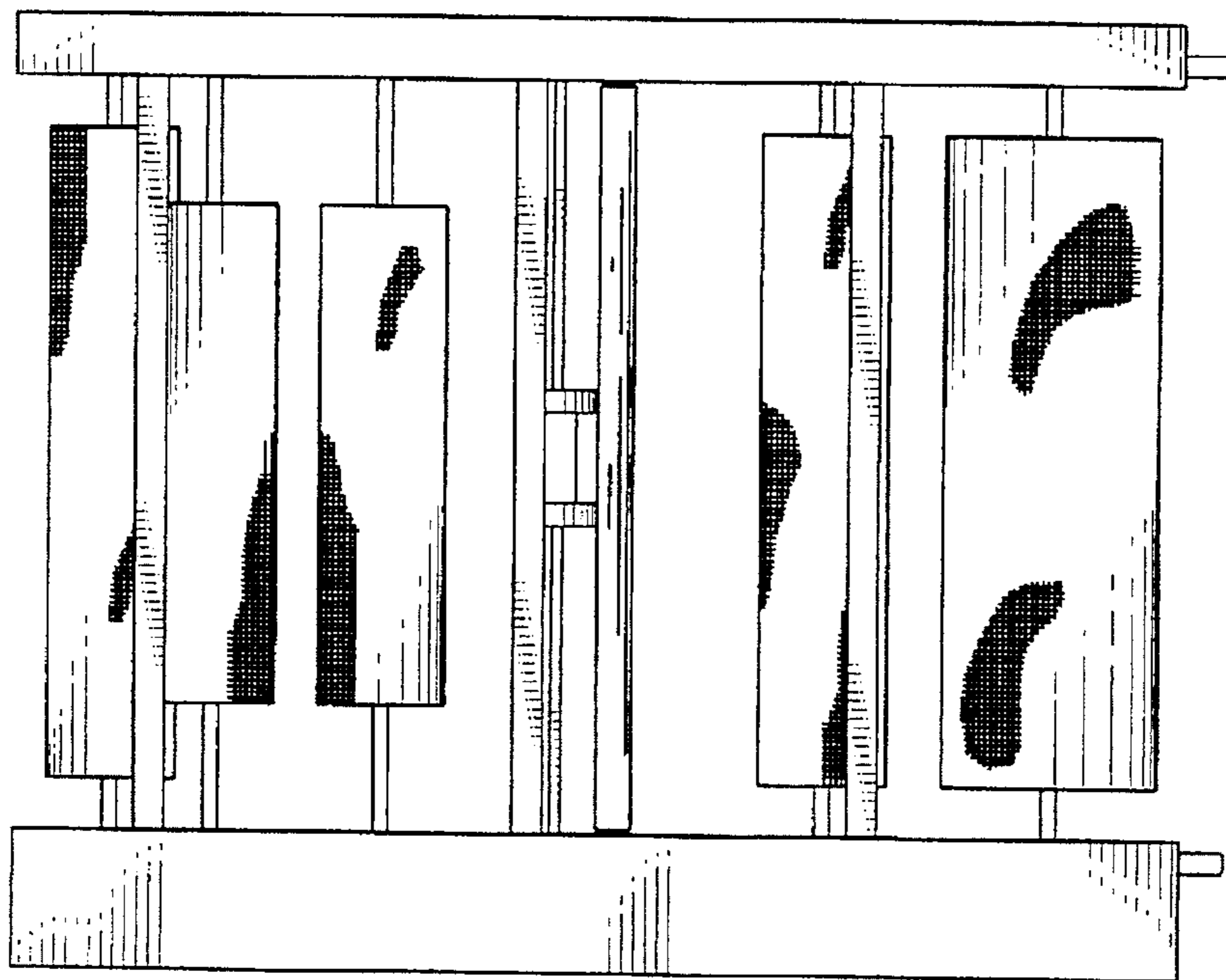


FIG. 3

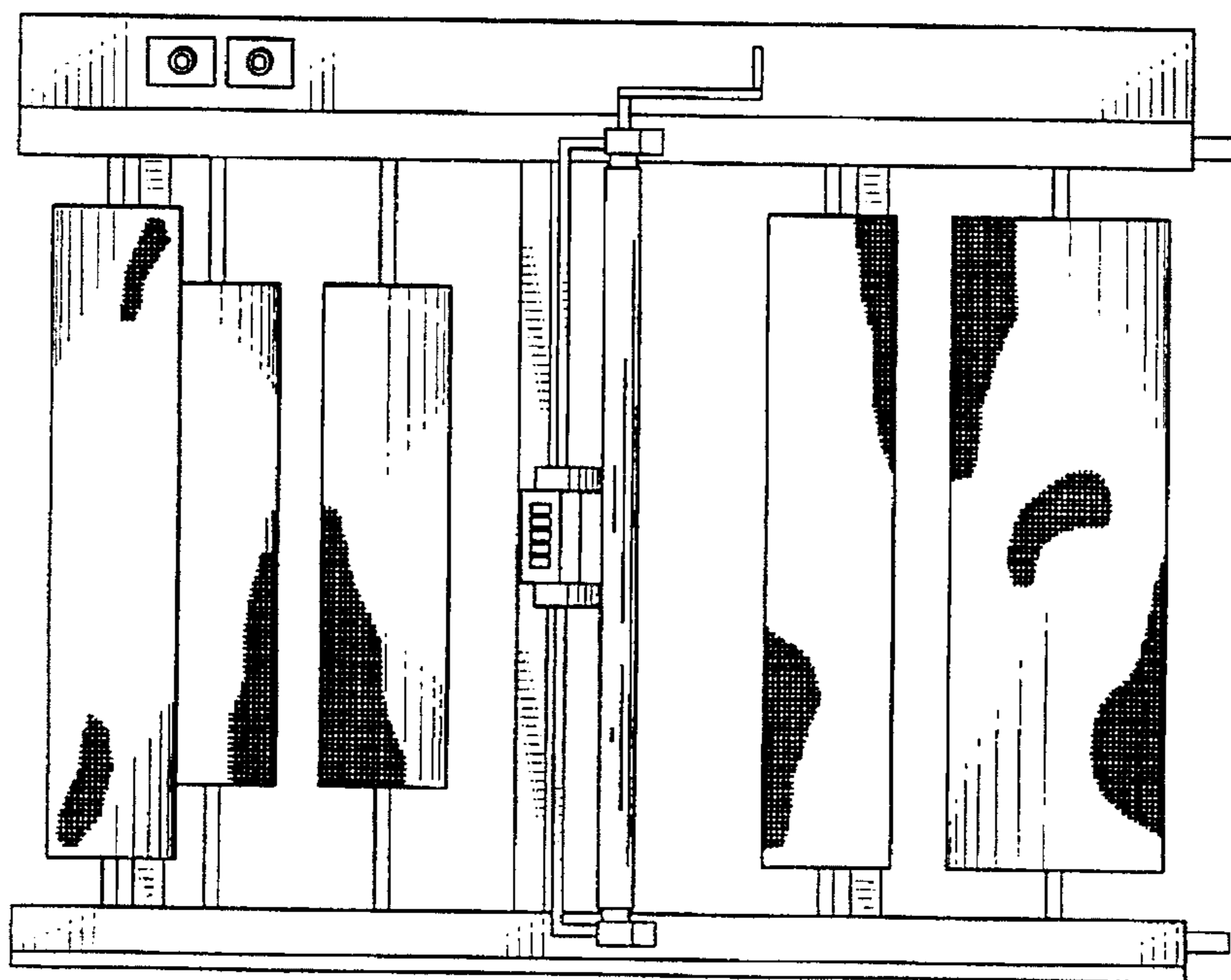


FIG. 2

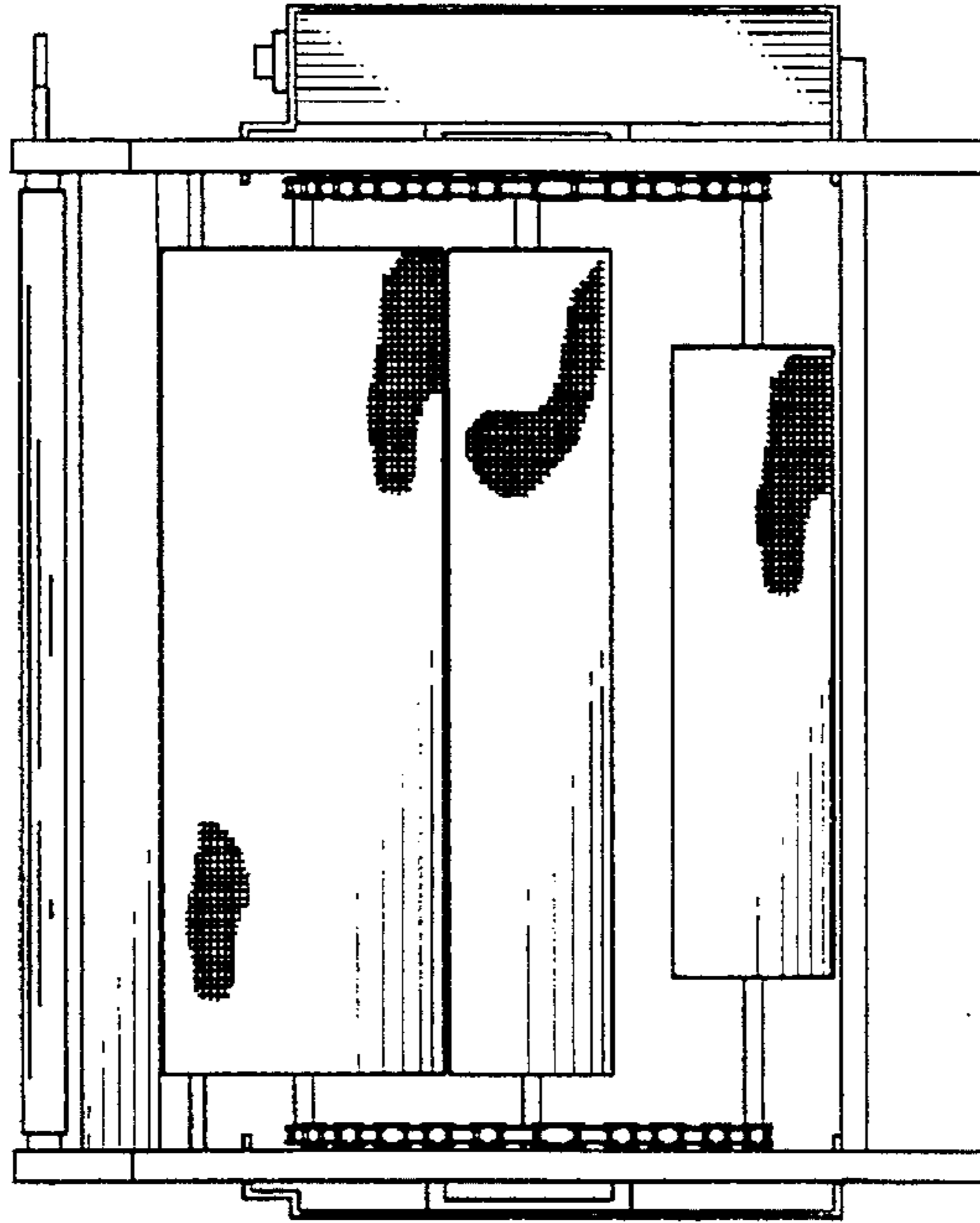


FIG. 5

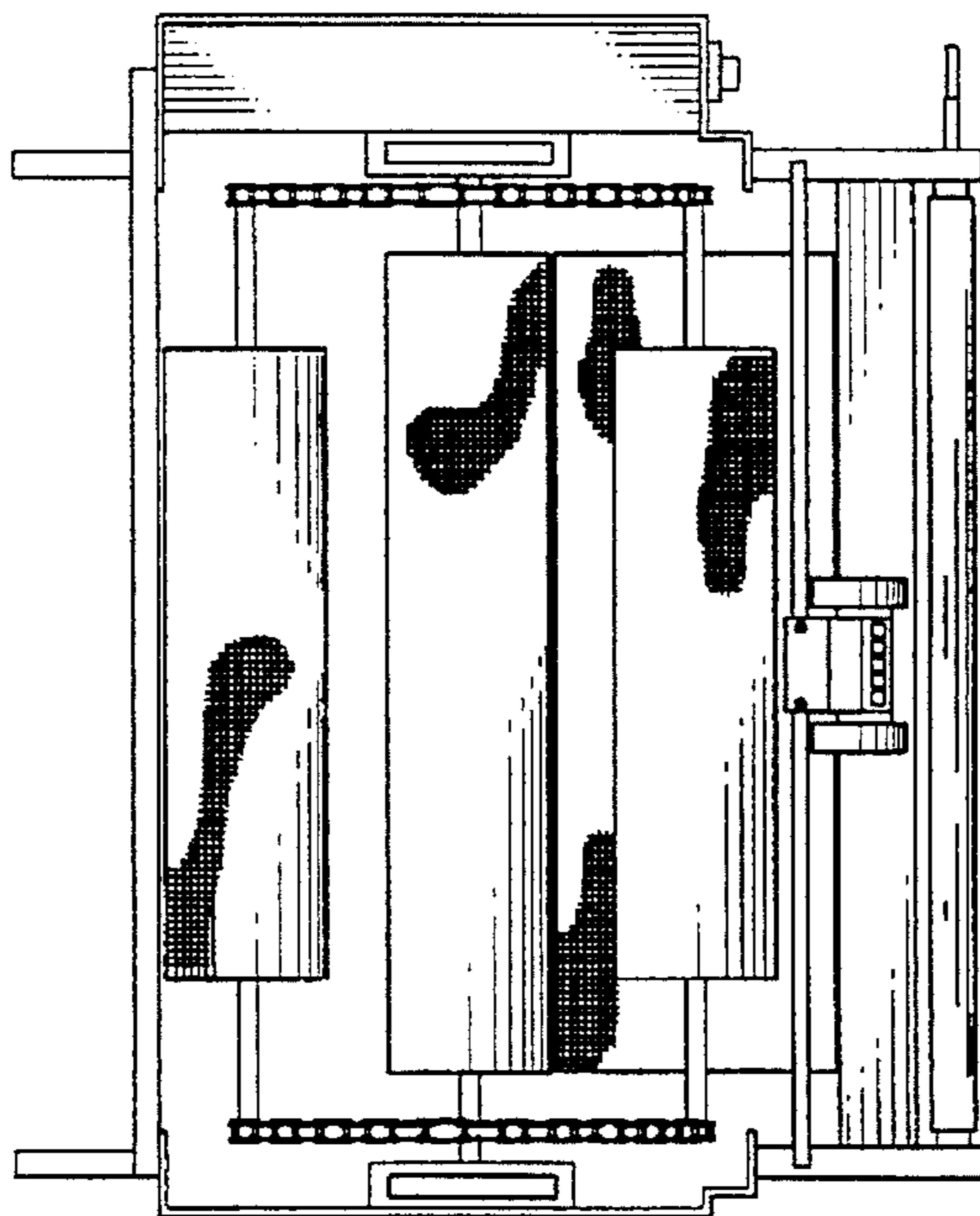


FIG. 4

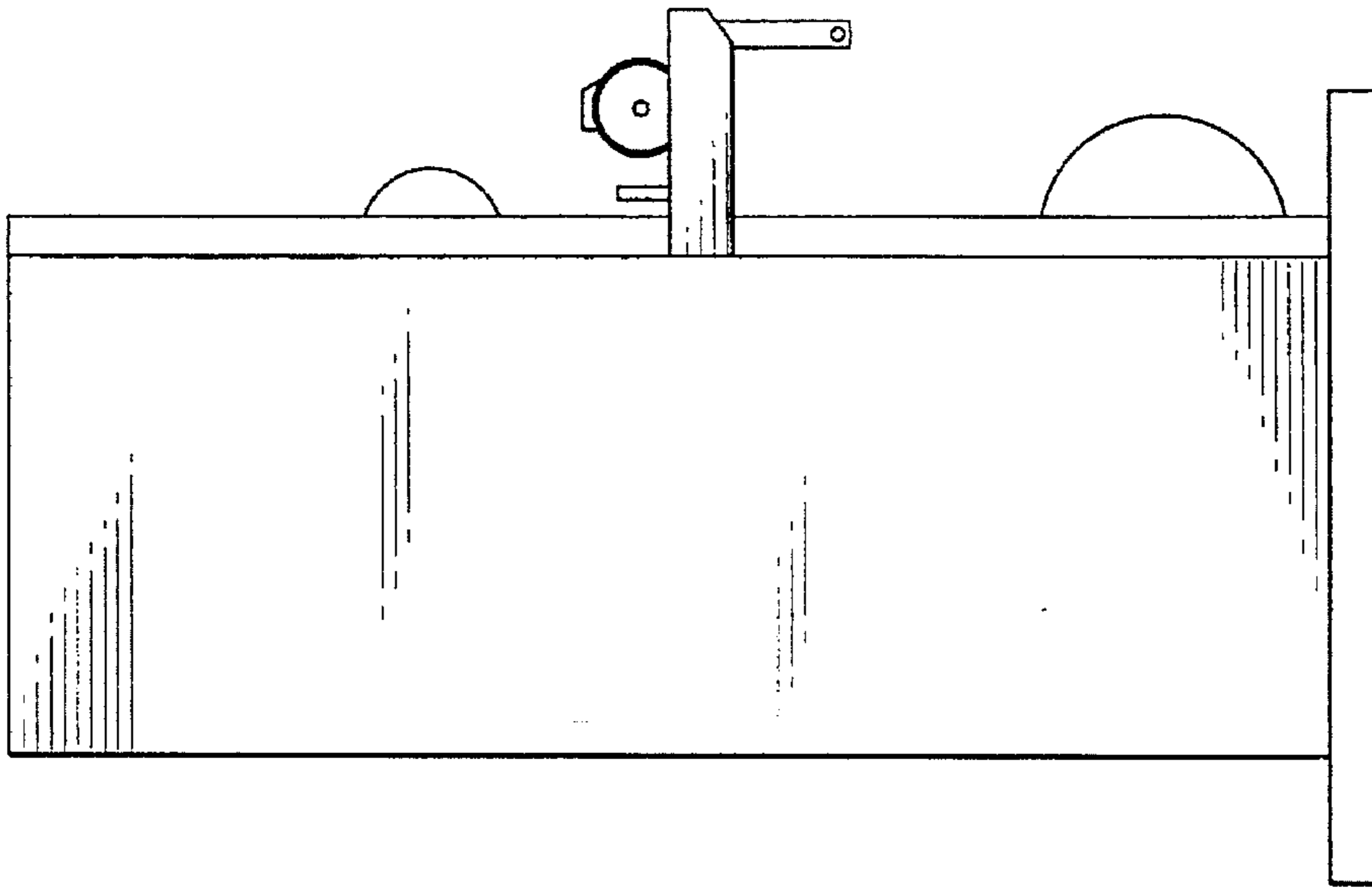


FIG. 6

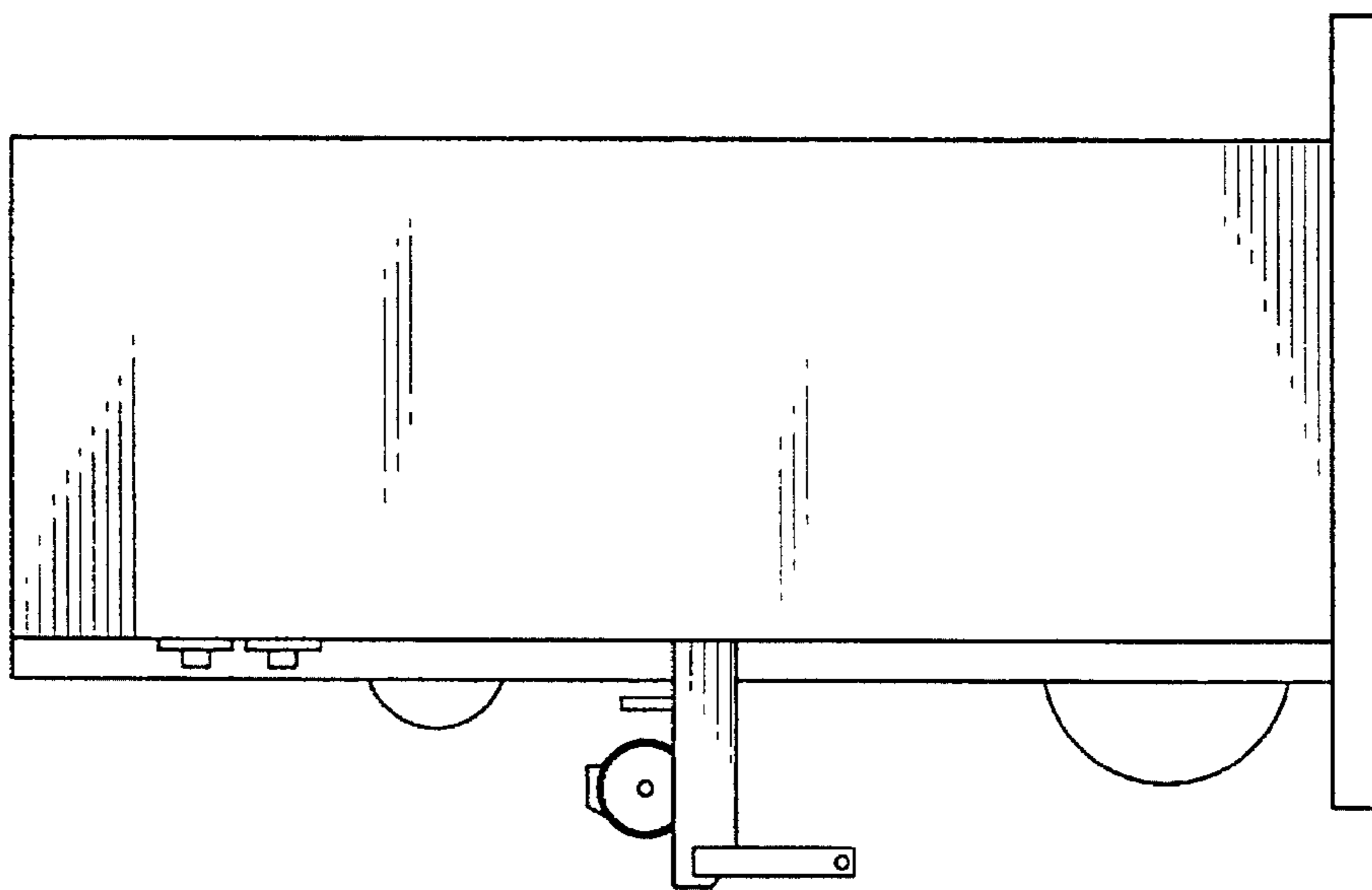


FIG. 7

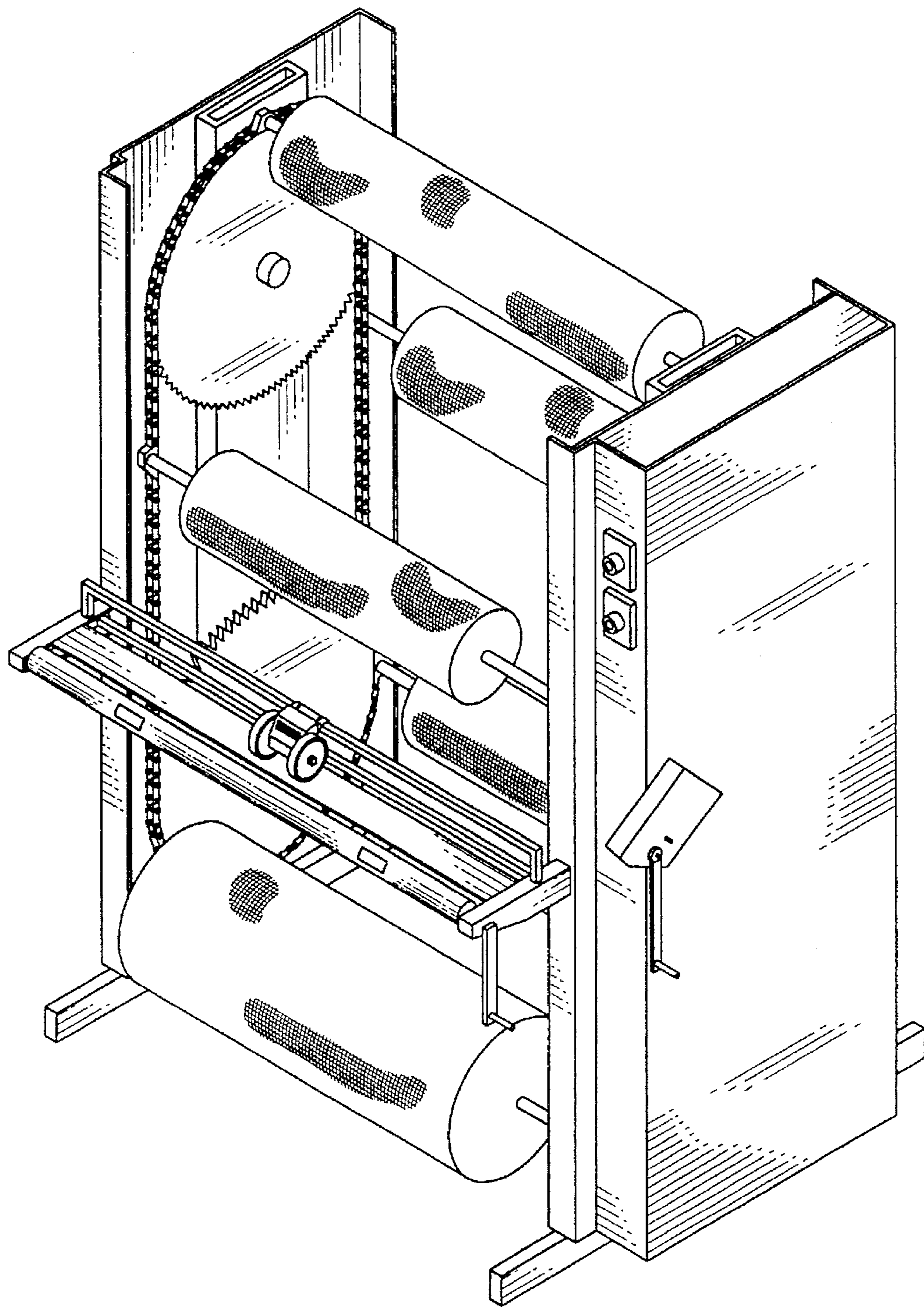


FIG. 8