



US00D381832S

United States Patent [19]
Bohland

[11] **Patent Number: Des. 381,832**

[45] **Date of Patent: **Aug. 5, 1997**

[54] **PLANTER STAND**

[76] Inventor: **William Bohland**, 101 N. 72nd Ave., Pensacola, Fla. 32506

[**] Term: **14 Years**

[21] Appl. No.: **52,646**

[22] Filed: **Apr. 4, 1996**

[51] **LOC (6) Cl. 06-06**

[52] **U.S. Cl. D6/405**

[58] **Field of Search** D11/143-145, D11/148, 164; D6/403, 405, 556; 47/28.1, 66, 67, 69, 70, 79, 82, 83, 39, 41.01, 44, 47; 206/423; 248/27.8

[56] **References Cited**

U.S. PATENT DOCUMENTS

D. 361,443	8/1995	Bohland	D6/405
2,794,554	6/1957	Donner	D11/148 X
3,015,024	12/1961	Charchan et al.	D11/148 X
3,194,403	7/1965	Van Horn, Jr.	47/28.1 X
5,037,049	8/1991	Funk	D6/405 X
5,487,476	1/1996	Barfield	D6/405 X

Primary Examiner—James Gandy
Assistant Examiner—Caron D. Veynar
Attorney, Agent, or Firm—George R. McGuire

[57] **CLAIM**

The ornamental design for planter stand, as shown and described.

DESCRIPTION

FIG. 1 is a perspective view of a planter stand, the light receiving section and the three sets of pot supporting fingers being shown in phantom for illustrative purposes only and forming no part of the claimed design; FIG. 2 is a front elevational view of FIG. 1, the rear elevational view being a mirror image thereof; FIG. 3 is a side elevational view, the opposite side view being a mirror image thereof; FIG. 4 is a top plan view thereof; FIG. 5 is a bottom plan view thereof; FIG. 6 is a perspective view of the planter stand, the broken line showing pots, supports and lights is for illustrative purposes only and forms no part of the claimed design; and, FIG. 7 is a perspective view of a second embodiment of the top portion of the planter stand, the lower portion not shown is identical to FIGS. 1-6.

1 Claim, 3 Drawing Sheets

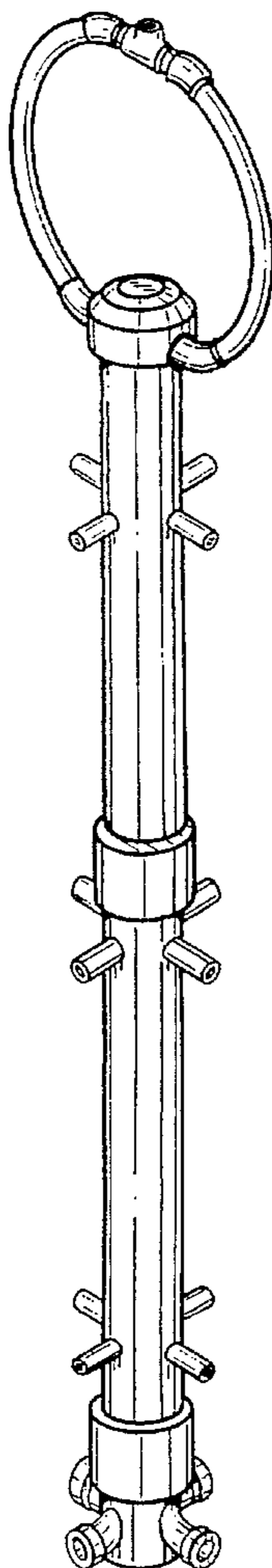


FIG. 1

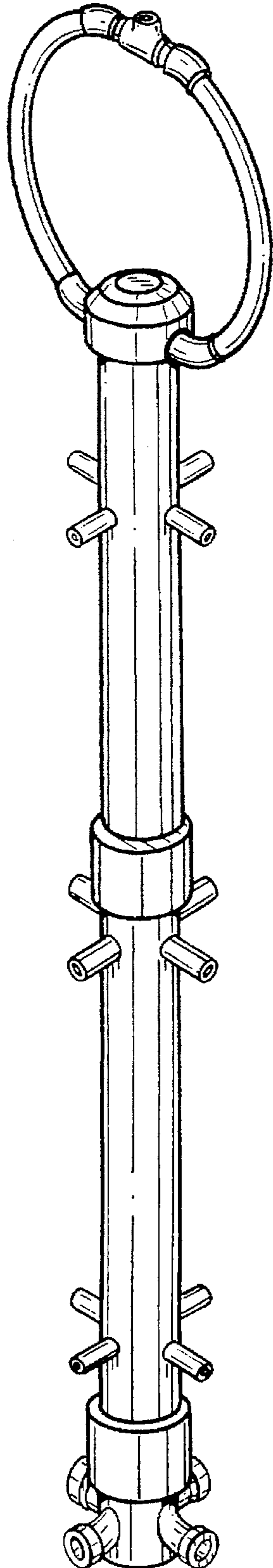


FIG. 7

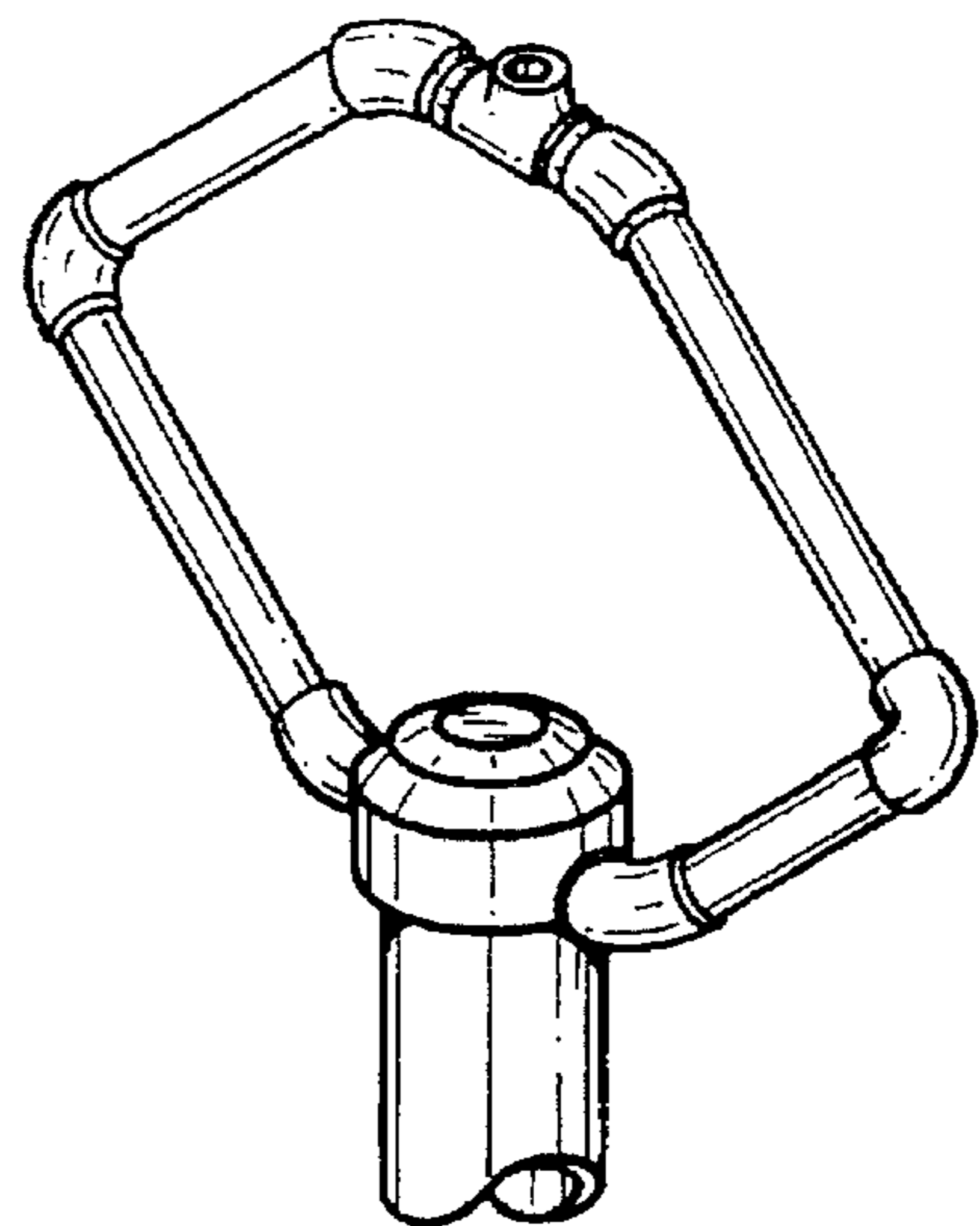


FIG. 2

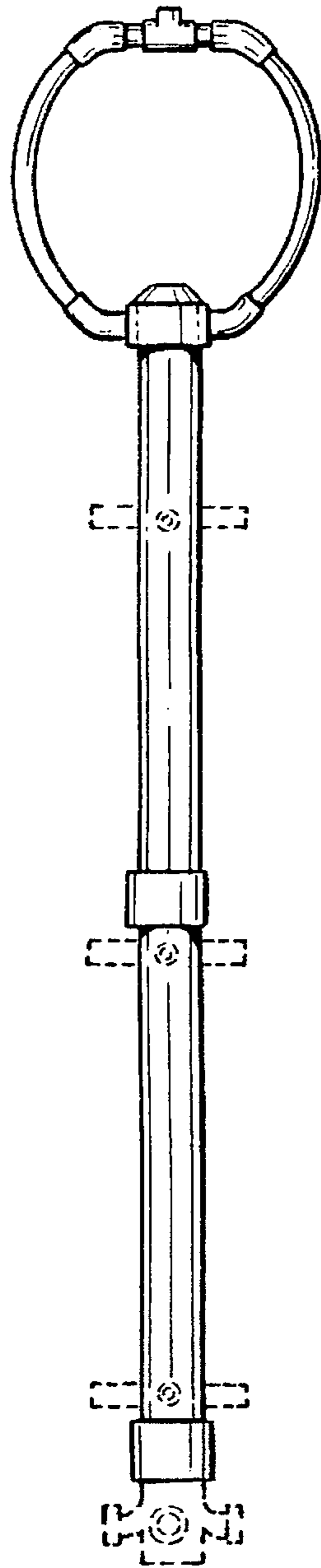


FIG. 3

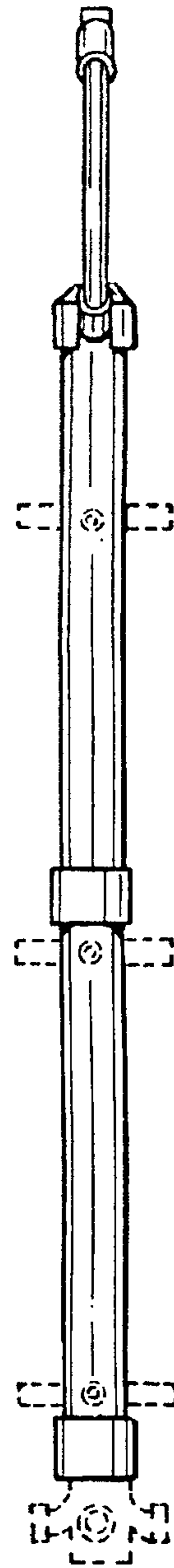


FIG. 4

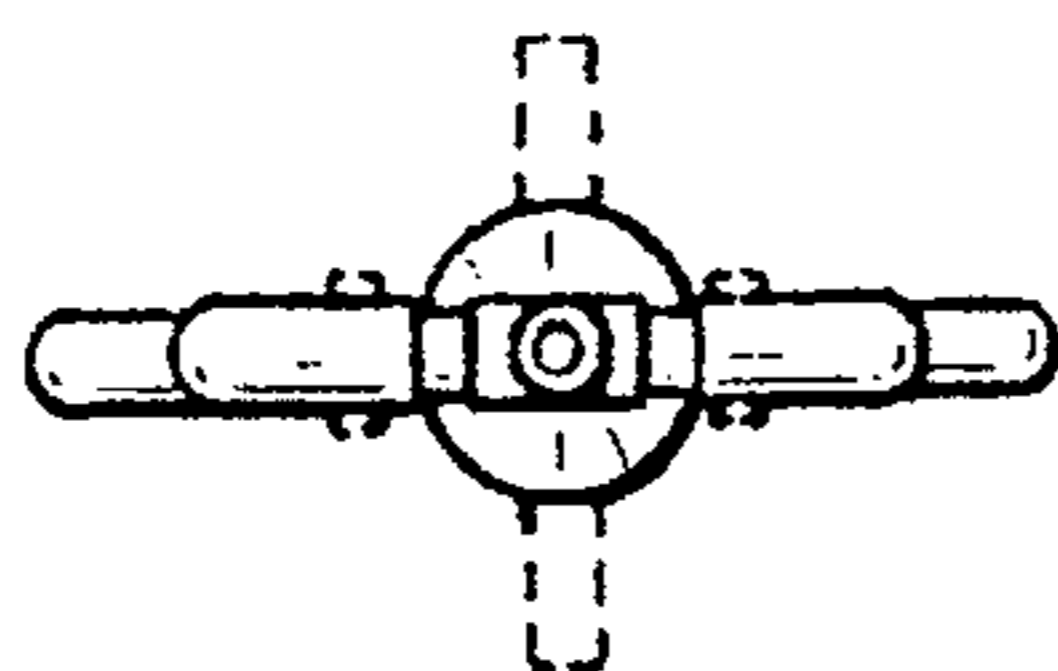


FIG. 5

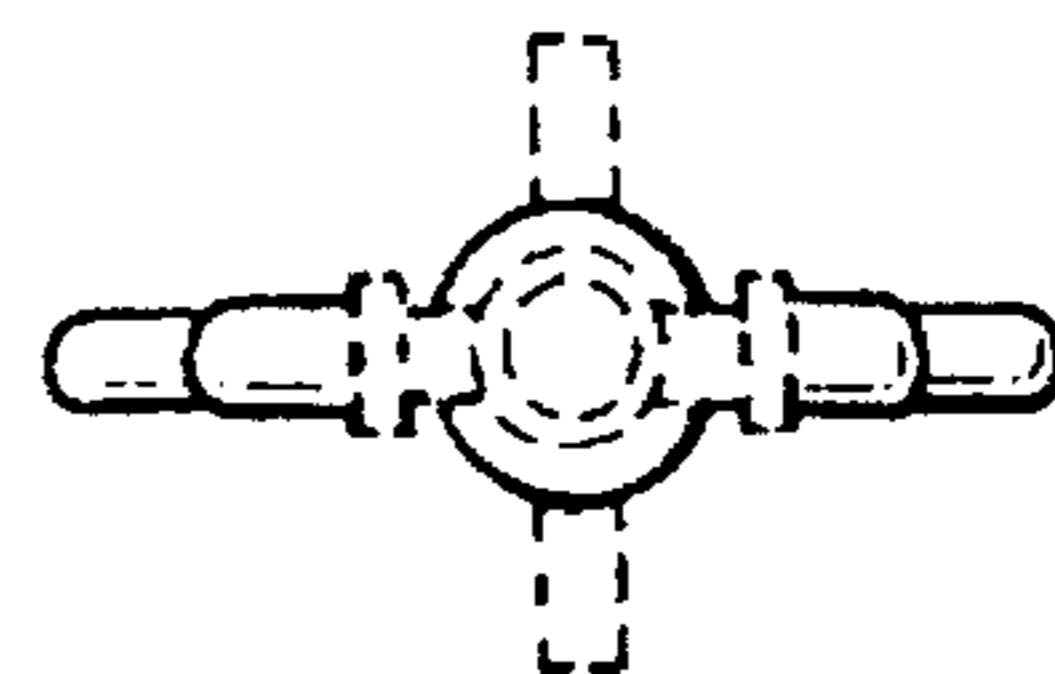


FIG. 6

