



US00D381830S

United States Patent [19] Fisher

[11] Patent Number: **Des. 381,830**
[45] Date of Patent: ****Aug. 5, 1997**

[54] **BUNK BED**

[76] Inventor: **Carol J. Fisher**, 12 Laurel Dr.,
Millbury, Mass. 01527

[**] Term: **14 Years**

[21] Appl. No.: **58,415**

[22] Filed: **Aug. 14, 1996**

[51] LOC (6) Cl. **06-01**

[52] U.S. Cl. **D6/383; D6/384**

[58] Field of Search D6/382-385, 388-395,
D6/505-508, 331; 5/53.1, 280, 281, 2.1,
9.1

[56] **References Cited**

U.S. PATENT DOCUMENTS

- D. 271,826 12/1983 Hull .
- D. 271,827 12/1983 Hull .
- D. 277,433 2/1985 Hull D6/384
- D. 292,456 10/1987 Wycoff D6/389
- D. 325,825 5/1992 Bell .
- D. 346,076 4/1994 Brunel .
- 2,528,307 10/1950 Heaney .

- 3,316,564 5/1967 Rogers, Jr. D6/384 X
- 4,232,411 11/1980 Speyer .
- 5,003,650 4/1991 Caya .
- 5,182,824 2/1993 Cipriano 5/2.1

Primary Examiner—Janice E. Seeger
Attorney, Agent, or Firm—Aristide Delyanis

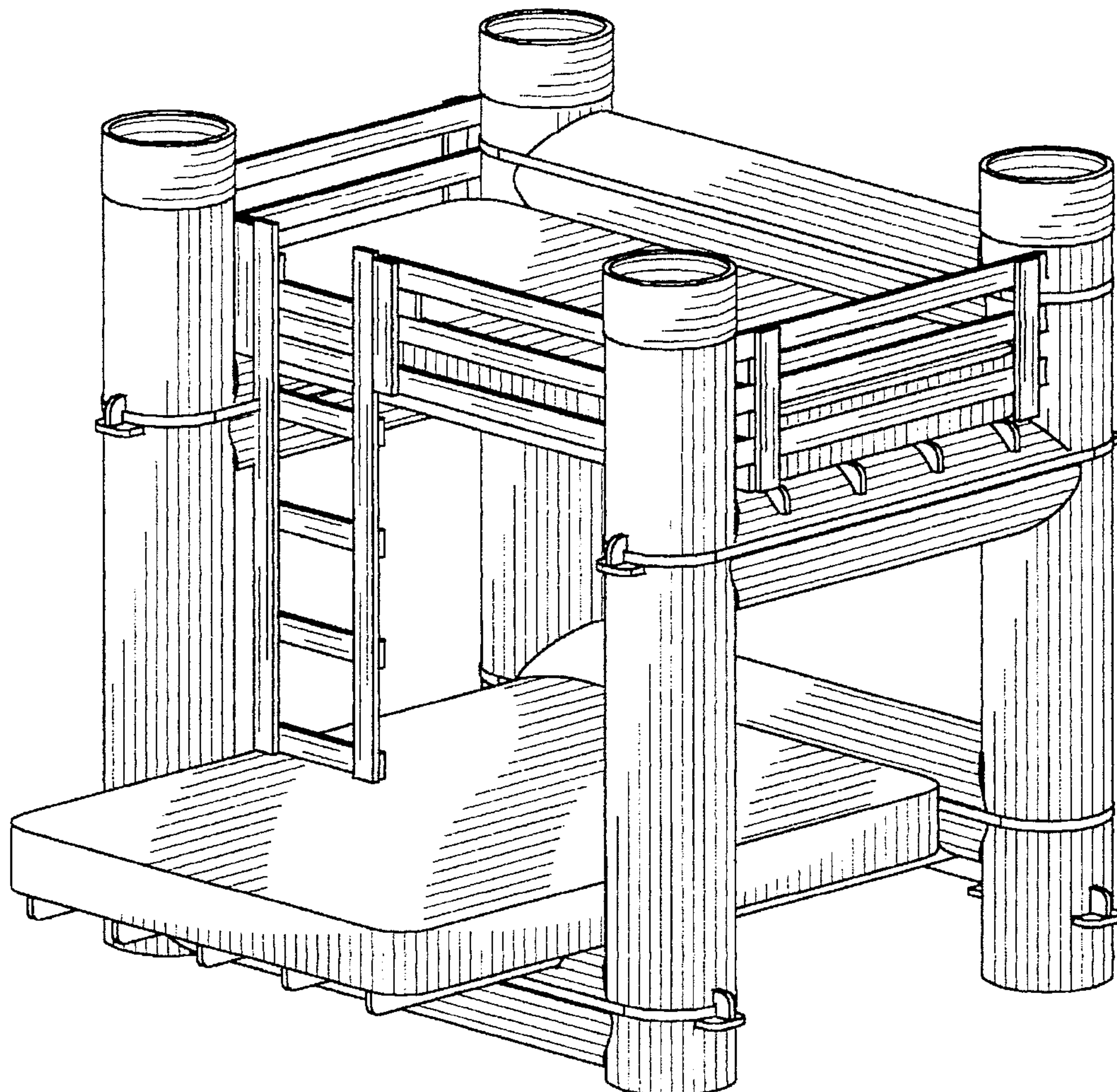
[57] **CLAIM**

The ornamental design for a bunk bed, as shown and described.

DESCRIPTION

FIG. 1 is a perspective view of the bunk bed, showing my new design;
 FIG. 2 is a front elevational view thereof, drawn to a reduced scale;
 FIG. 3 is a rear elevational view thereof; drawn to a reduced scale;
 FIG. 4 is a side elevational view thereof, taken from the left of FIG. 1 and drawn to a reduced scale, the right side elevational view being a mirror image of that shown; and,
 FIG. 5 is a perspective view thereof, with the ladder exploded from the remainder of the bunk bed.

1 Claim, 4 Drawing Sheets



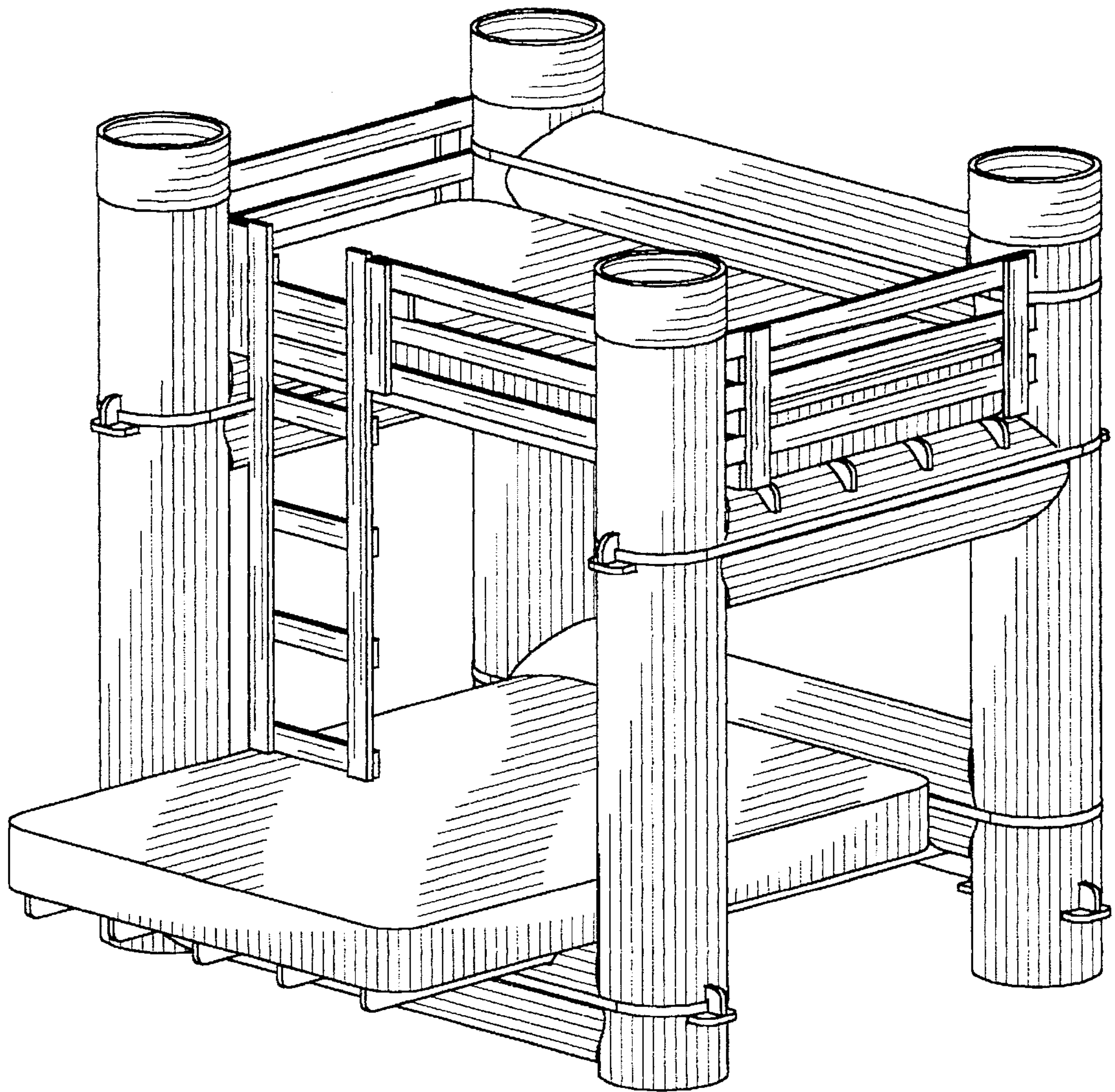


FIGURE 1

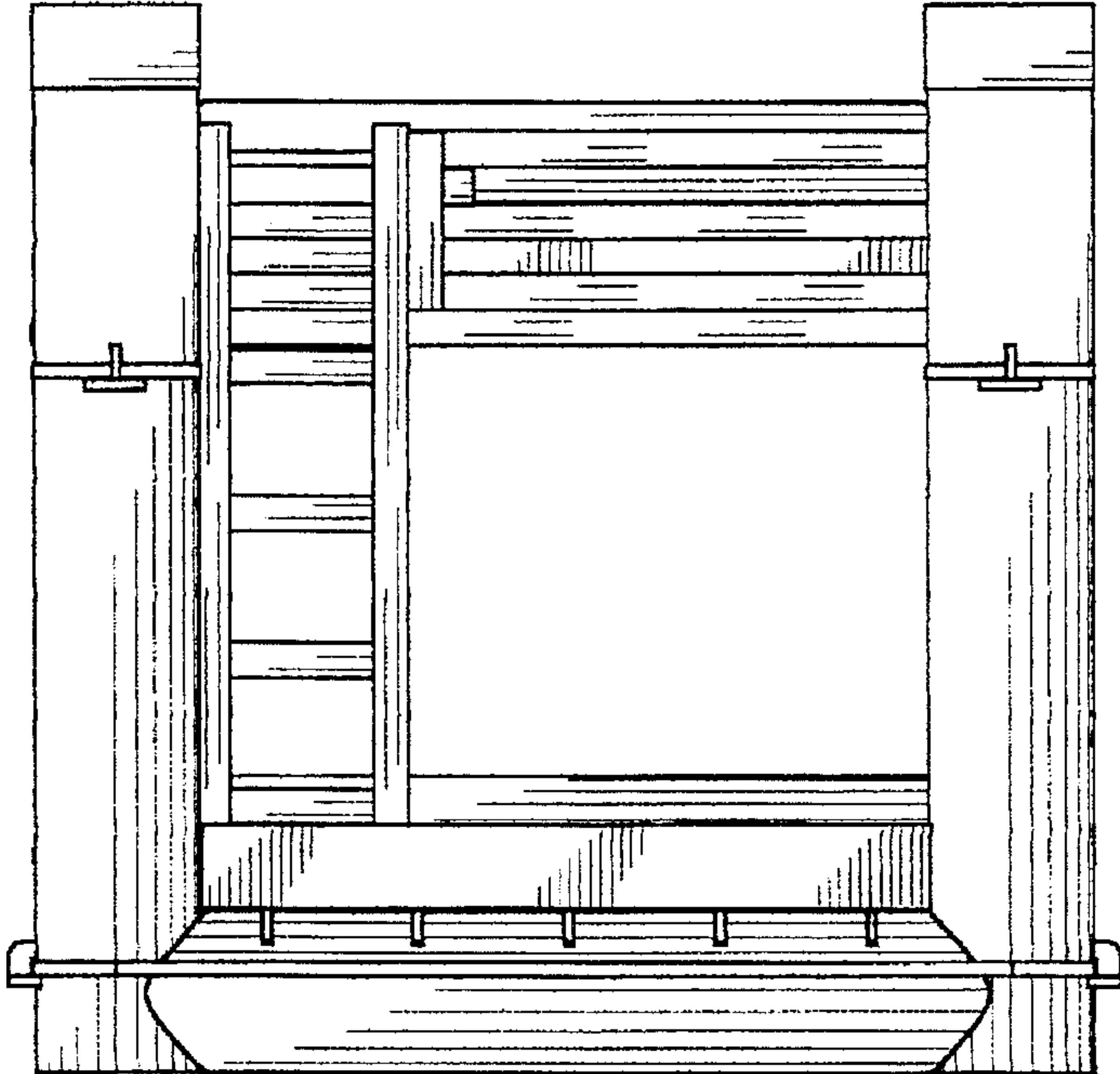


FIGURE 2

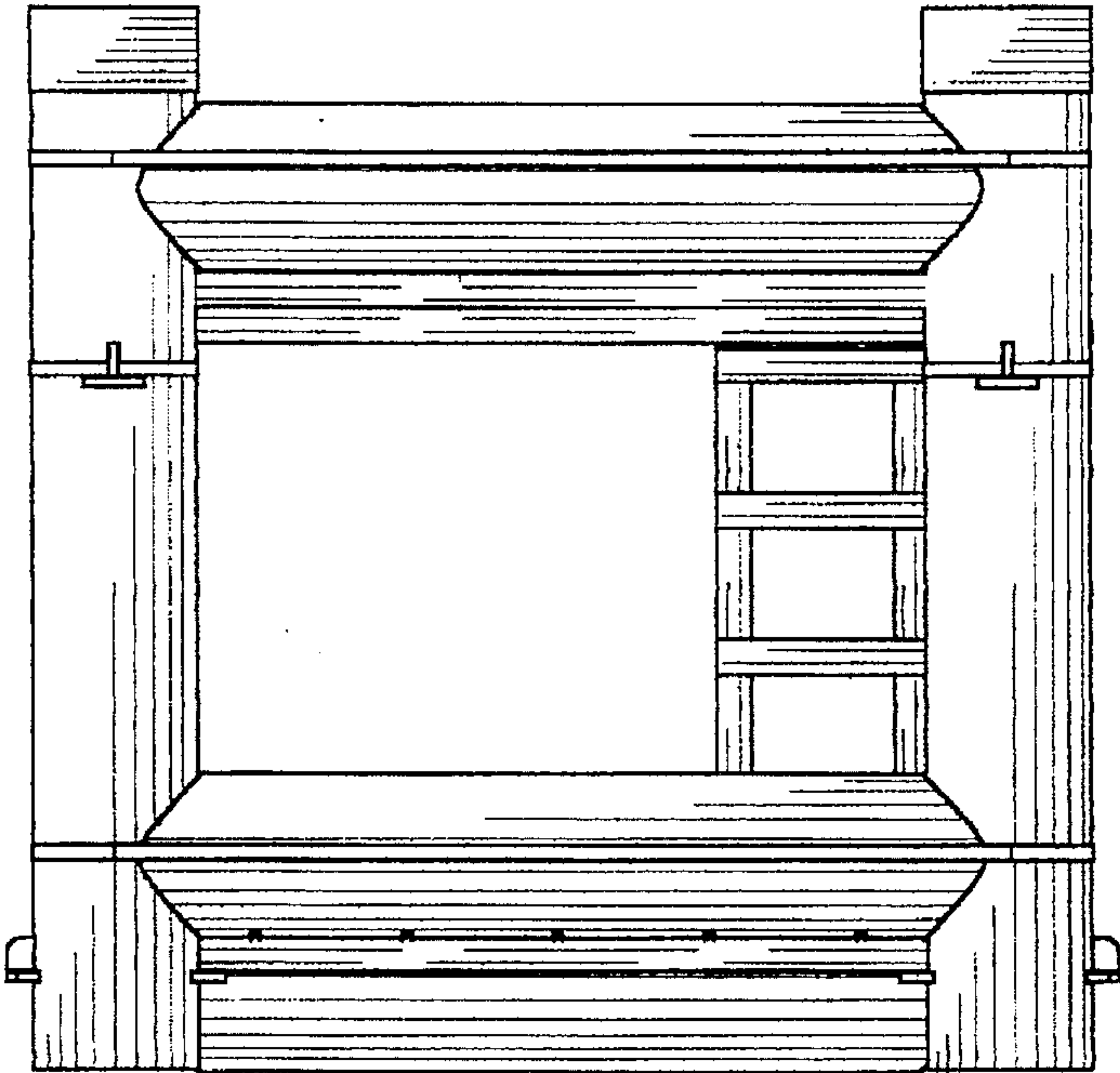


FIGURE 3

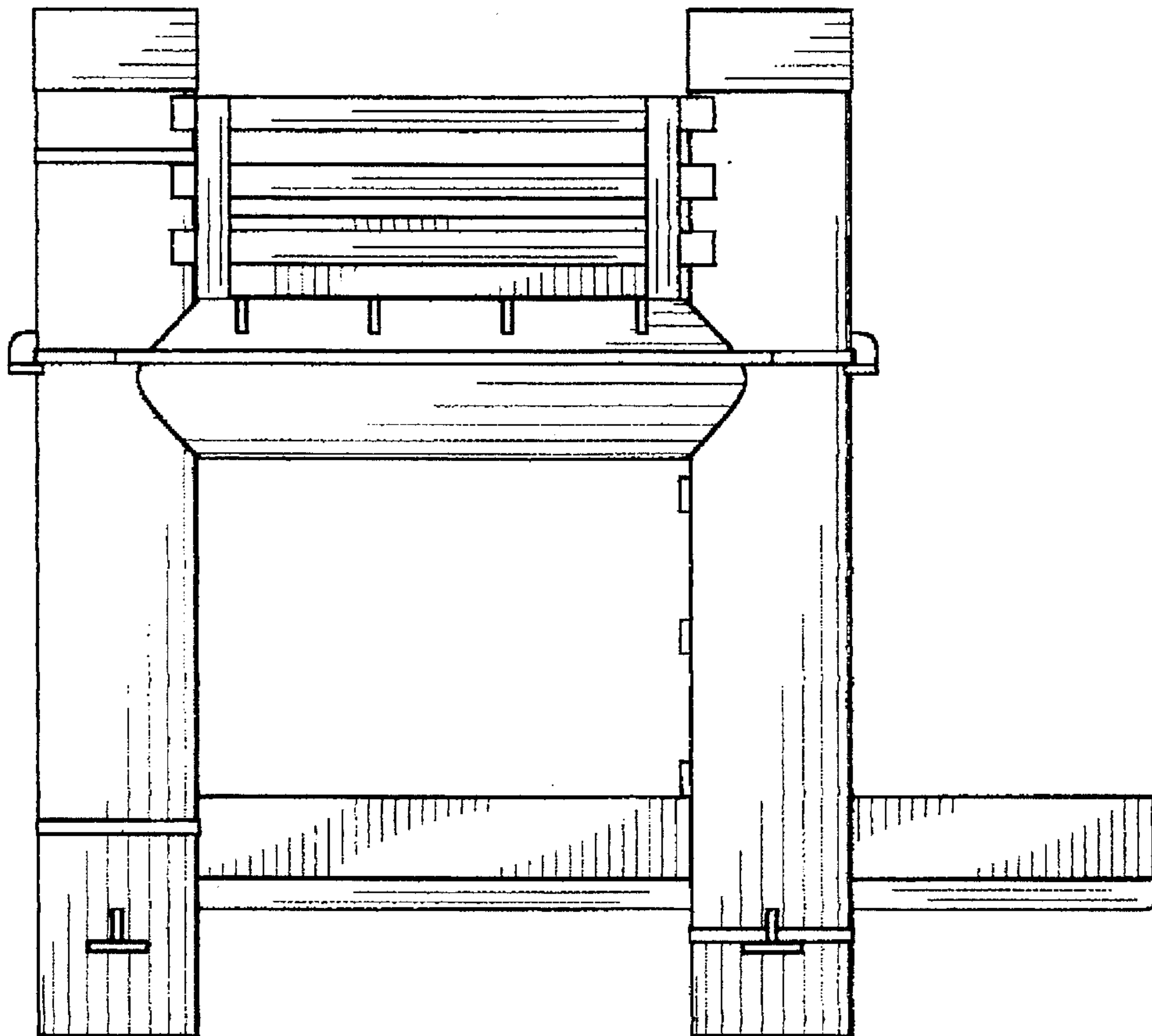


FIGURE 4

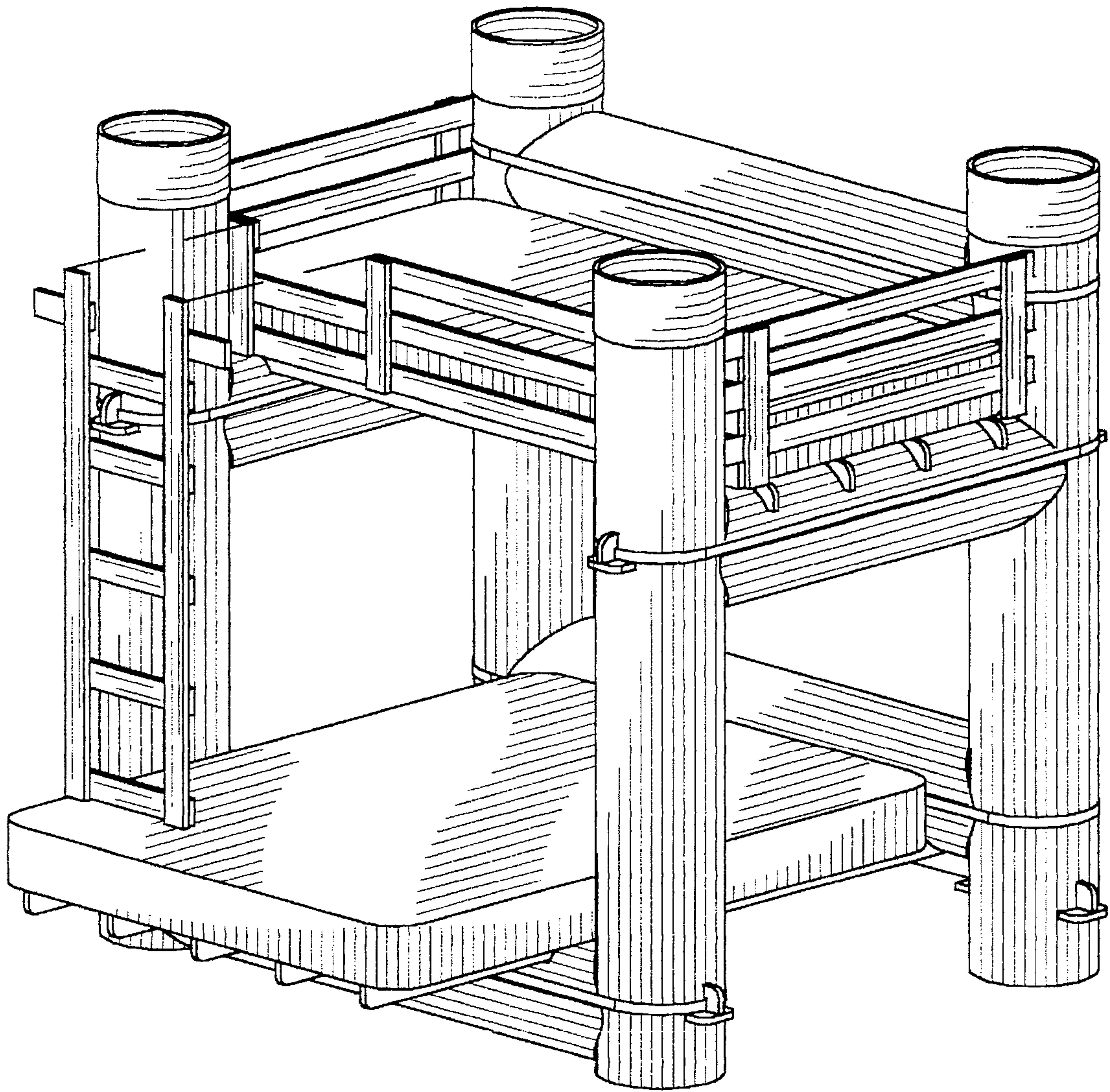


FIGURE 5