



US00D381823S

# United States Patent [19]

Ellsworth et al.

[11] Patent Number: **Des. 381,823**

[45] Date of Patent: **\*\*Aug. 5, 1997**

## [54] INDUSTRIAL CHAIR

[75] Inventors: **Thomas Lee Ellsworth**, Shorewood;  
**Alwin J. Stahel**; **Peter Robert Fervoy**,  
both of St. Paul, all of Minn.

[73] Assignee: **Safco Products Company**, New Hope,  
Minn.

[\*\*] Term: **14 Years**

[21] Appl. No.: **55,572**

[22] Filed: **Jun. 7, 1996**

[51] LOC (6) Cl. .... **06-01**

[52] U.S. Cl. .... **D6/360; D6/365**

[58] Field of Search ..... **D6/334, 335, 360,  
D6/364, 365, 366, 367, 374, 380, 500,  
501, 502; 248/188.7; 297/423.1, 423.38**

## [56] References Cited

### U.S. PATENT DOCUMENTS

D. 135,333	3/1943	Brown .....	D6/360
D. 135,334	3/1943	Brown .....	D6/360
D. 264,643	6/1982	Pelly .....	D6/366
D. 275,242	8/1984	Stephens .....	D6/360
3,572,869	3/1971	Studinski et al. .	
3,598,351	8/1971	Schreyer .	
4,636,004	1/1987	Neumuller .	
5,228,748	7/1993	Neumuller .	
5,328,240	7/1994	Neumuller .	
5,340,194	8/1994	Neumuller .	

### OTHER PUBLICATIONS

American National Standard for Human Factors Engineering of Visual Display Terminal Workstations, pp. 41-62, 1988.

Primary Examiner—Gary D. Watson  
Attorney, Agent, or Firm—Patterson & Keough, P.A.

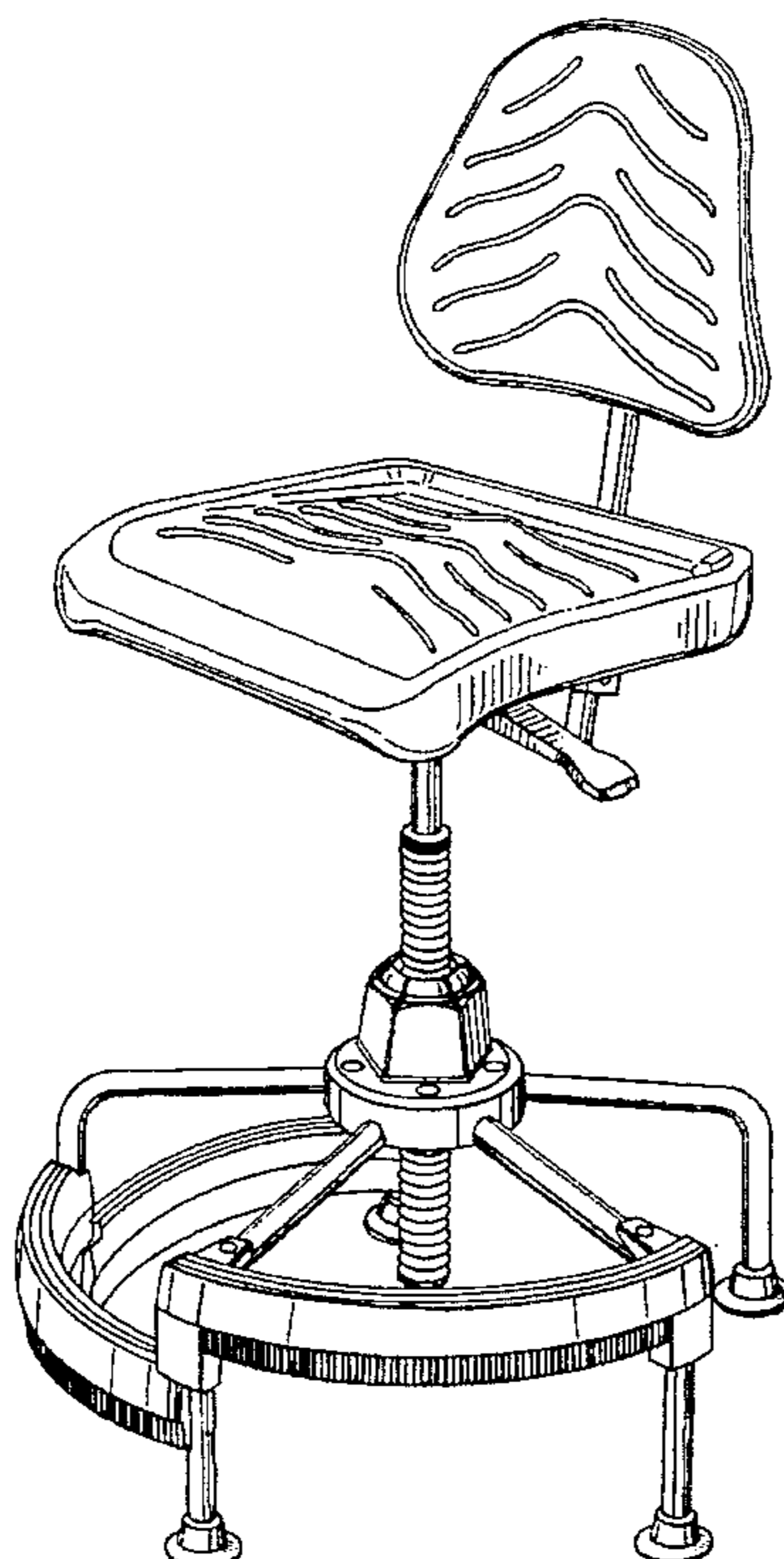
## [57] CLAIM

The ornamental design for an industrial chair, as shown and described.

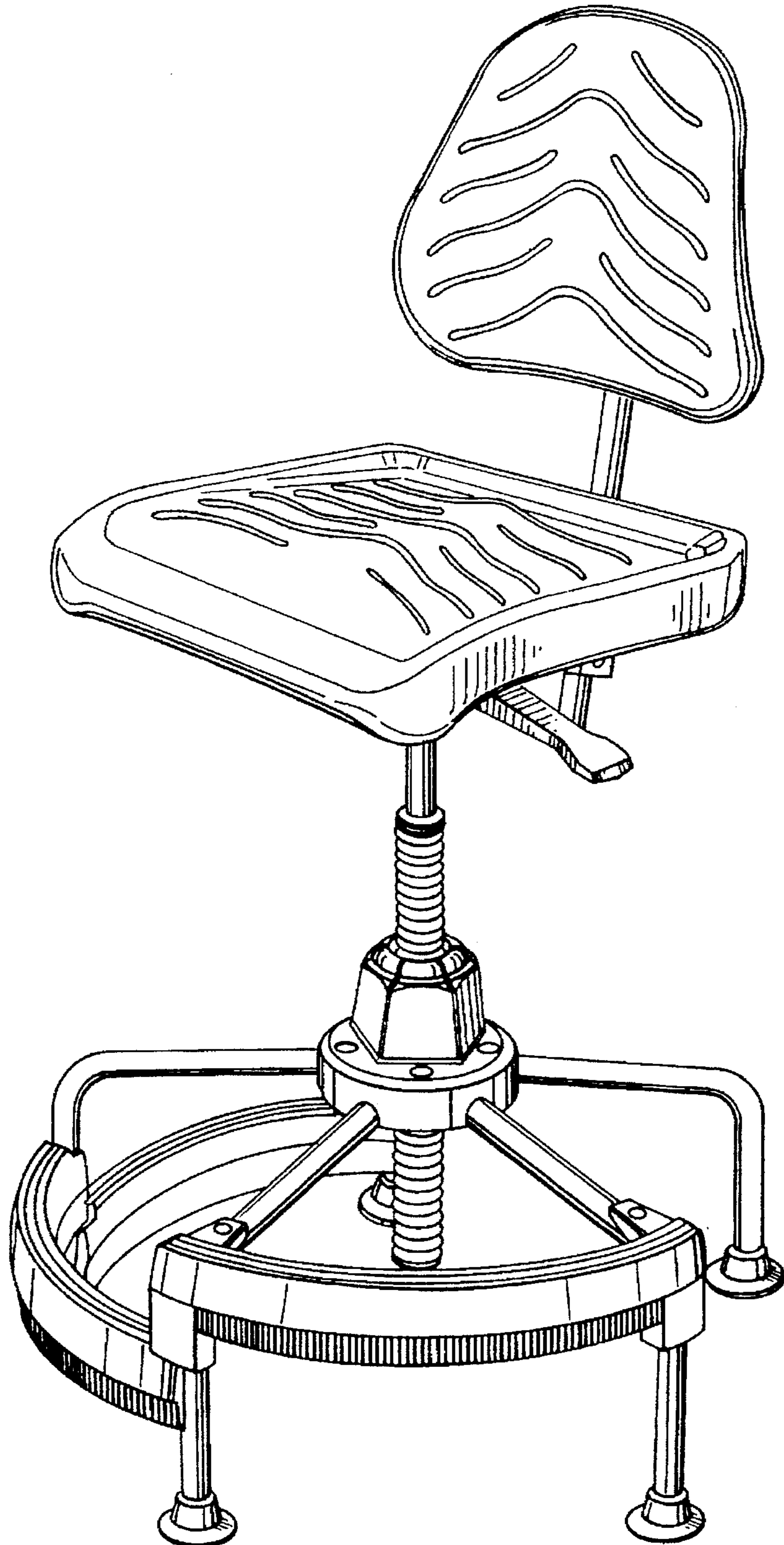
## DESCRIPTION

FIG. 1 is a perspective view of an industrial chair showing our new design;  
 FIG. 2 is a bottom plan view thereof;  
 FIG. 3 is a top plan view thereof;  
 FIG. 4 is a left side elevational view thereof;  
 FIG. 5 is a front elevational view thereof;  
 FIG. 6 is a perspective view of the lower-most or mid-position footrest member, the remainder of the chair not being shown for ease of illustration;  
 FIG. 7 is an inside radial view thereof;  
 FIG. 8 is an outside radial view thereof;  
 FIG. 9 is a top plan view thereof;  
 FIG. 10 is a bottom plan view thereof;  
 FIG. 11 is a rear elevational view of FIG. 1;  
 FIG. 12 is a right side elevational view thereof;  
 FIG. 13 is a perspective view of the upper-most footrest member, the remainder of the chair not being shown for ease of illustration;  
 FIG. 14 is an inside radial view thereof;  
 FIG. 15 is an outside radial view thereof;  
 FIG. 16 is a top plan view thereof;  
 FIG. 17 is a bottom plan view thereof; and,  
 FIG. 18 is a perspective view of a second embodiment of our new design, the sole difference being in the configuration of the backrest member;  
 FIGS. 6 through 10 and 13 through 17 have been shown on an enlarged scale.

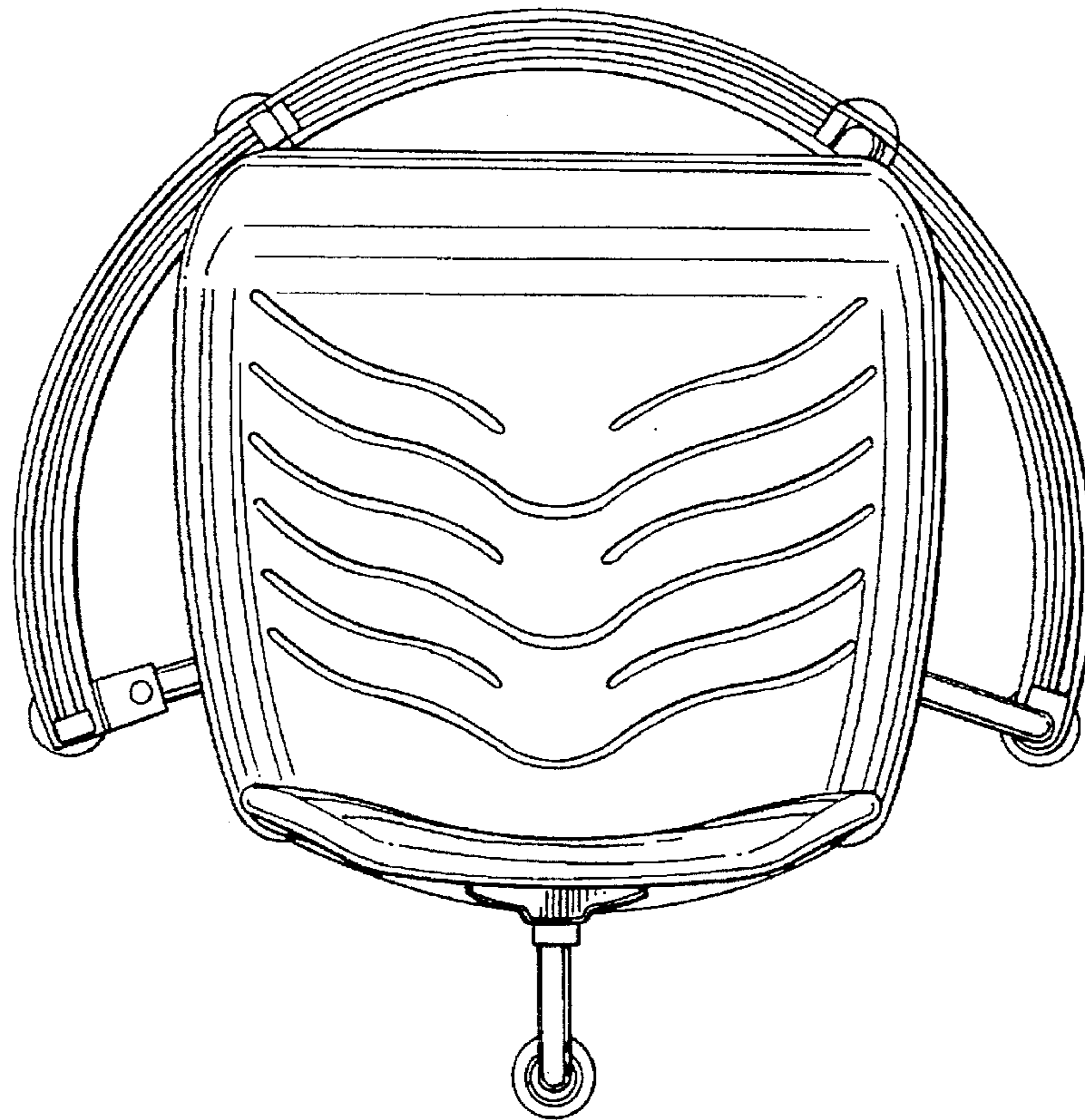
**1 Claim, 11 Drawing Sheets**



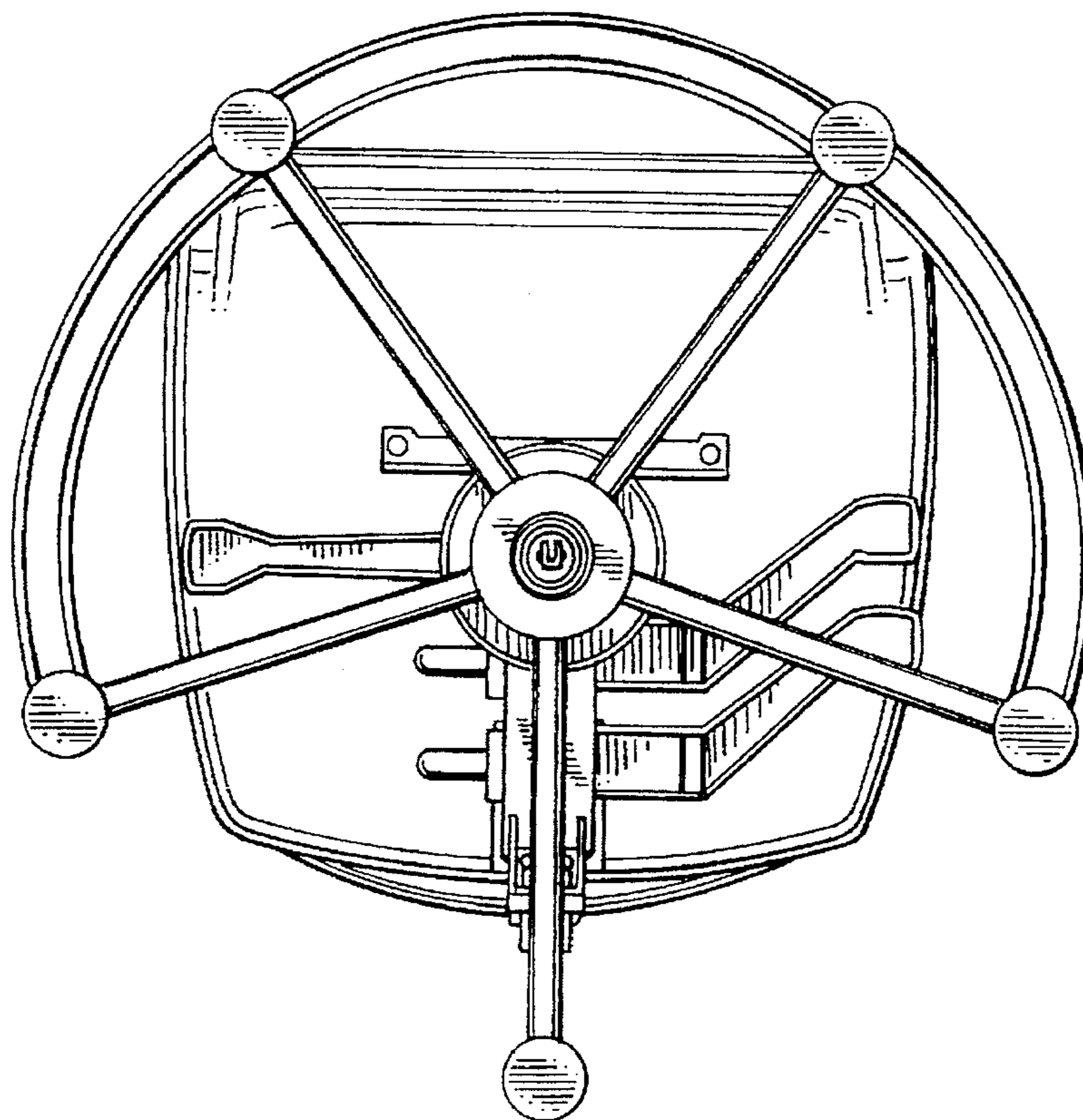
*Fig. 1*



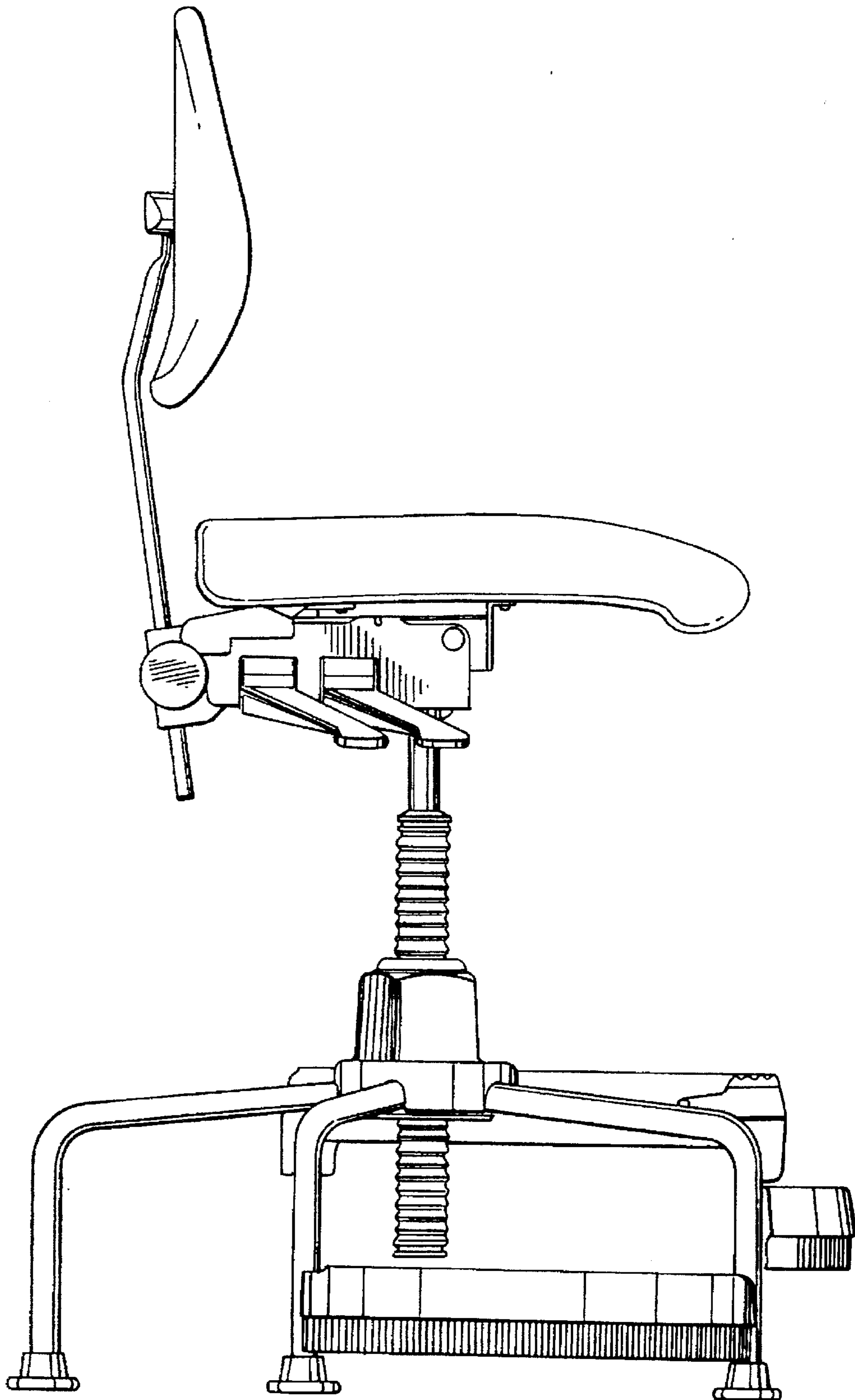
*Fig. 3*



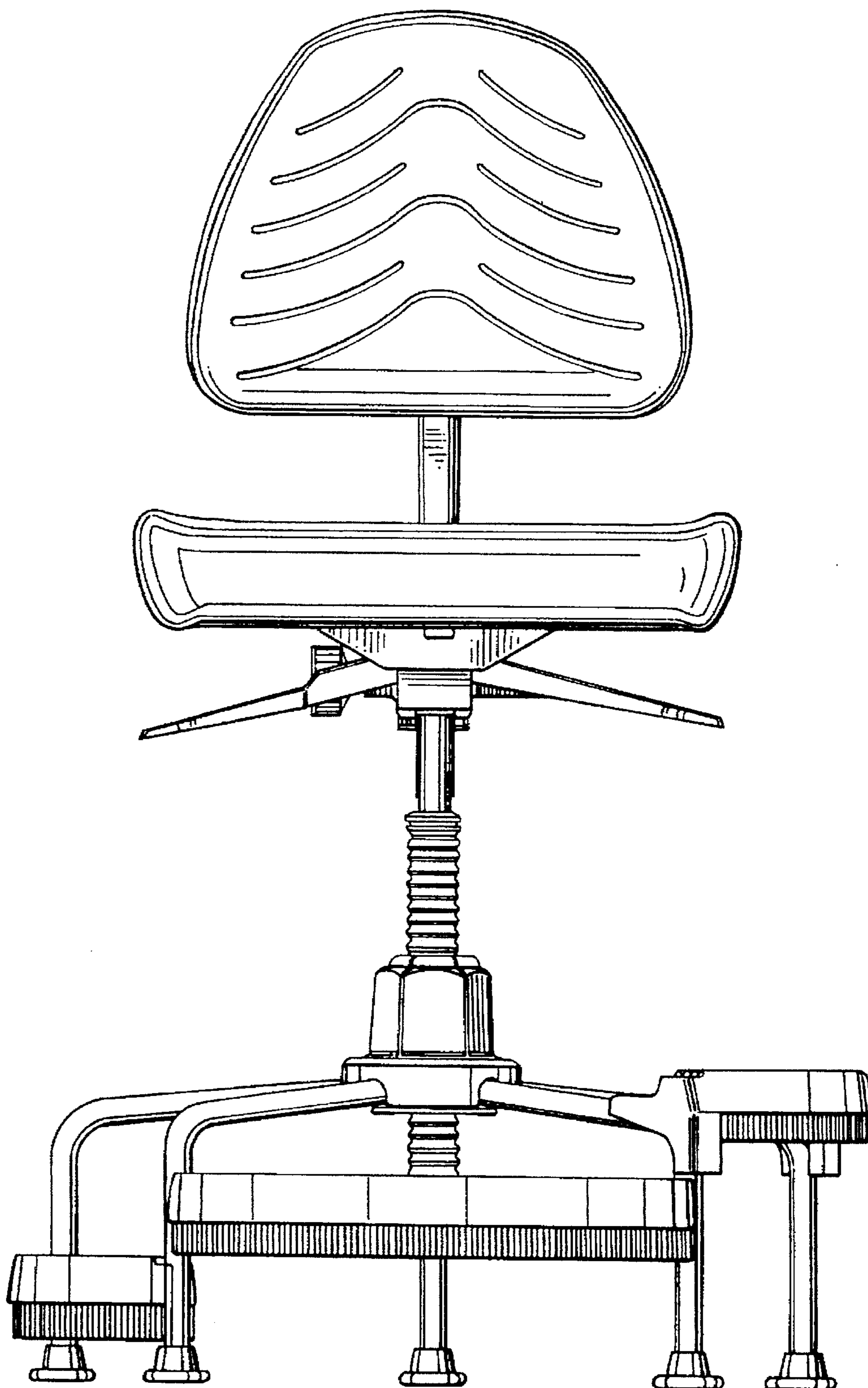
*Fig. 2*



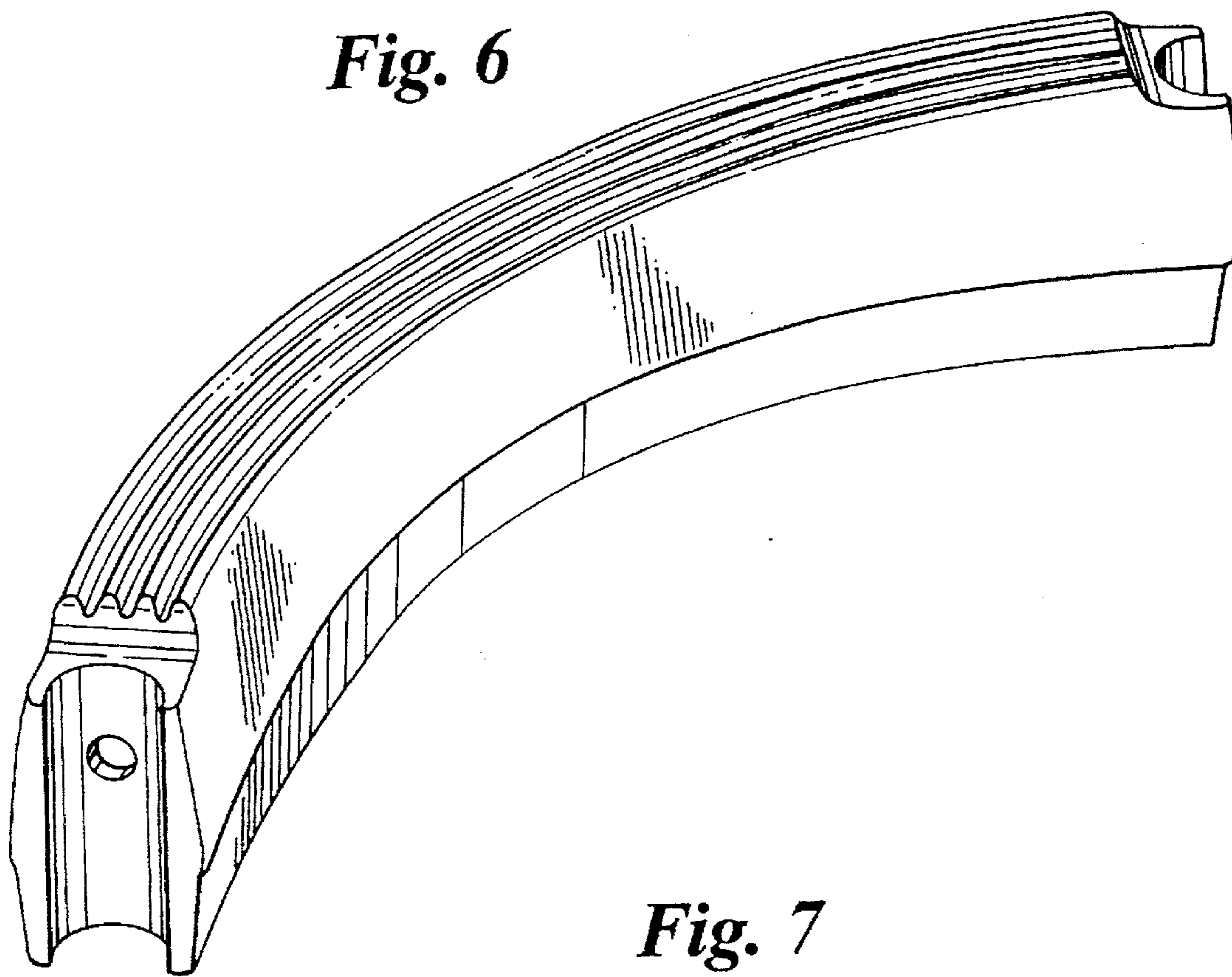
*Fig. 4*



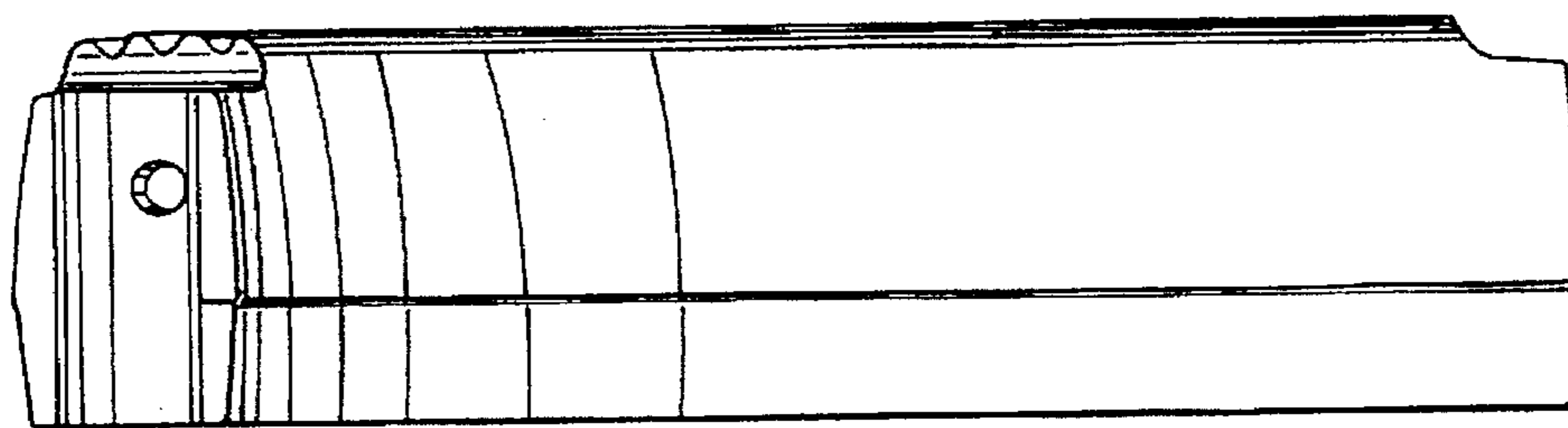
*Fig. 5*



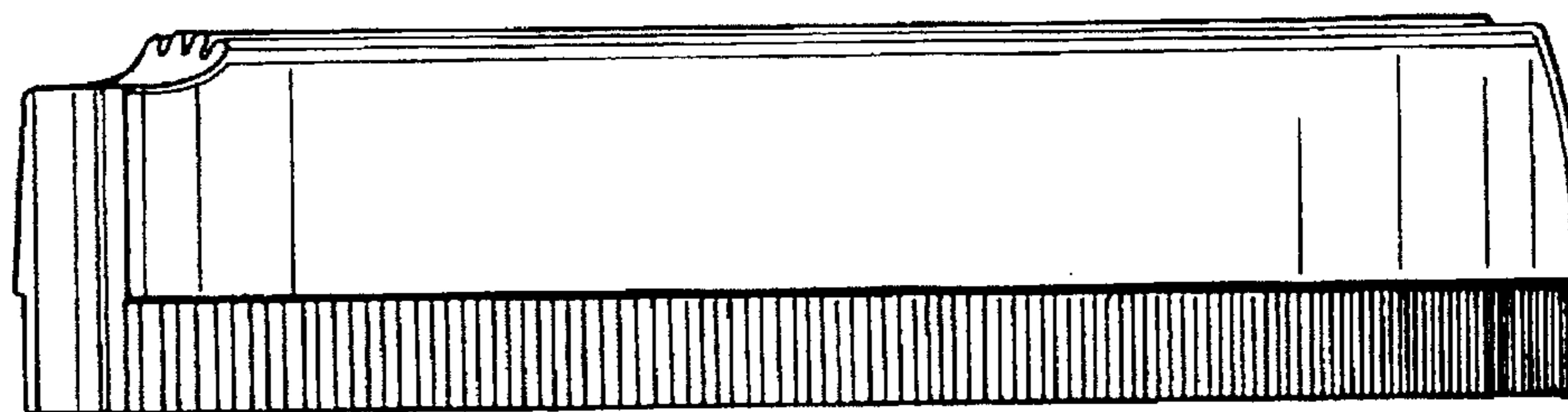
*Fig. 6*



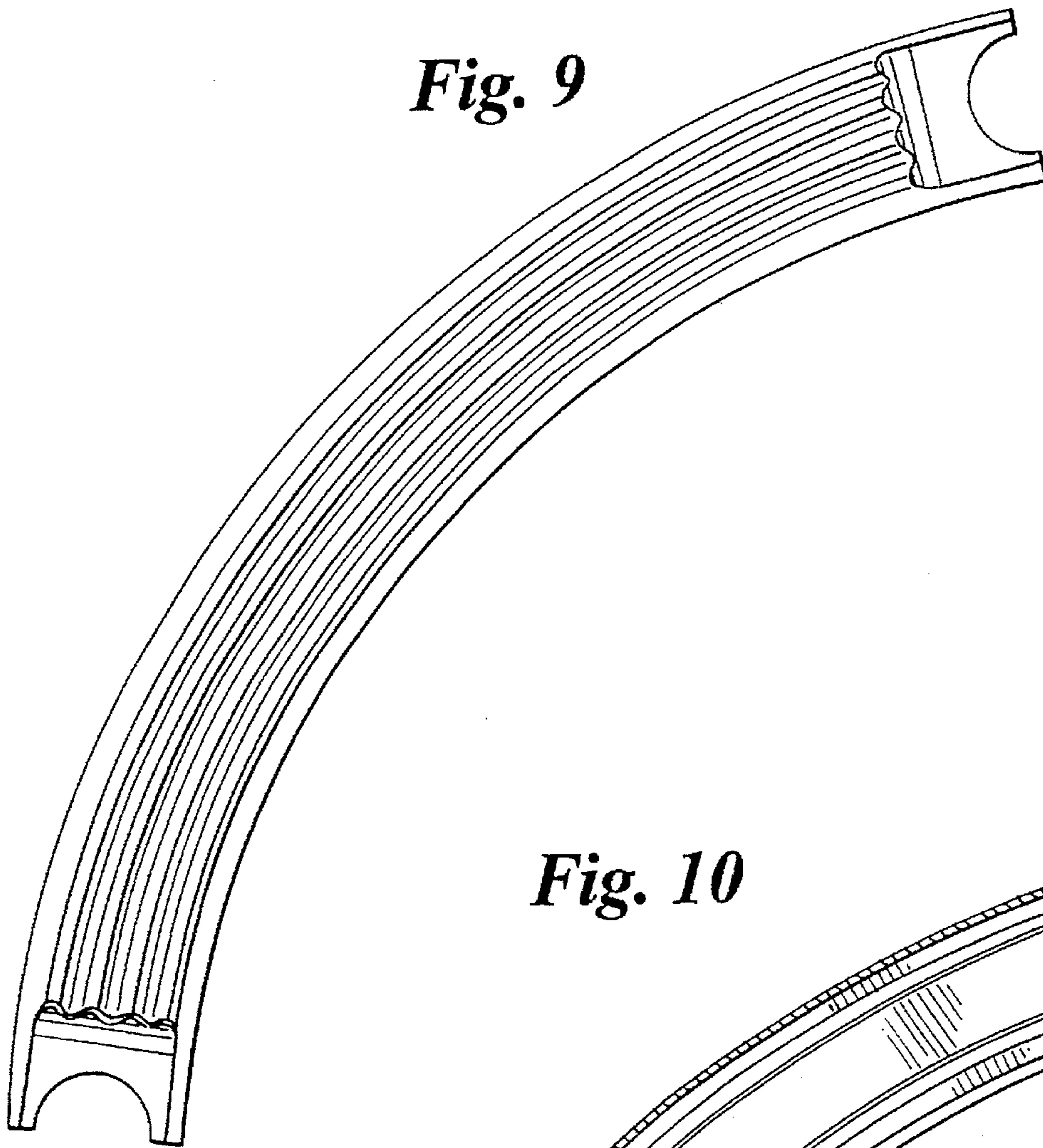
*Fig. 7*



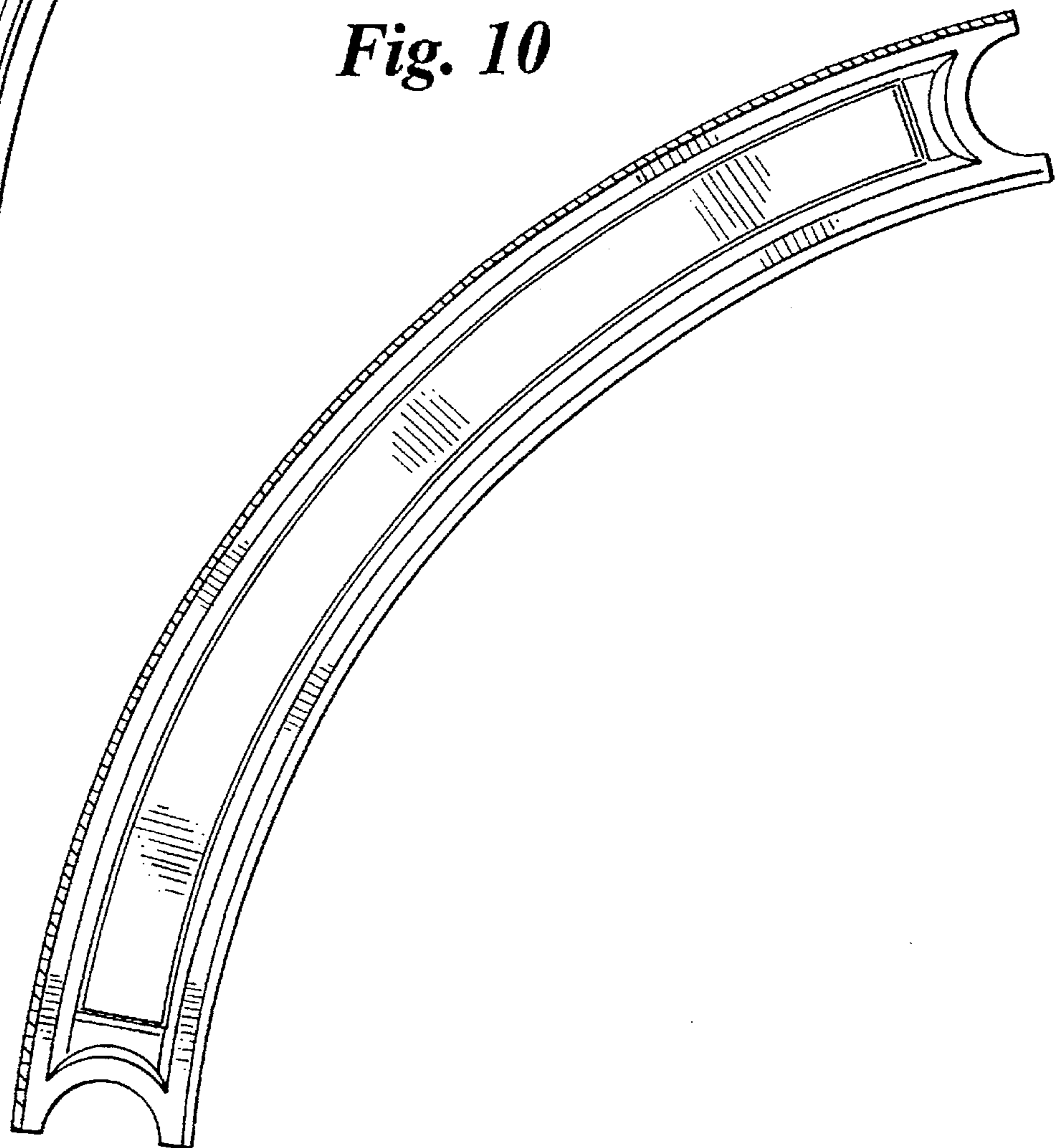
*Fig. 8*



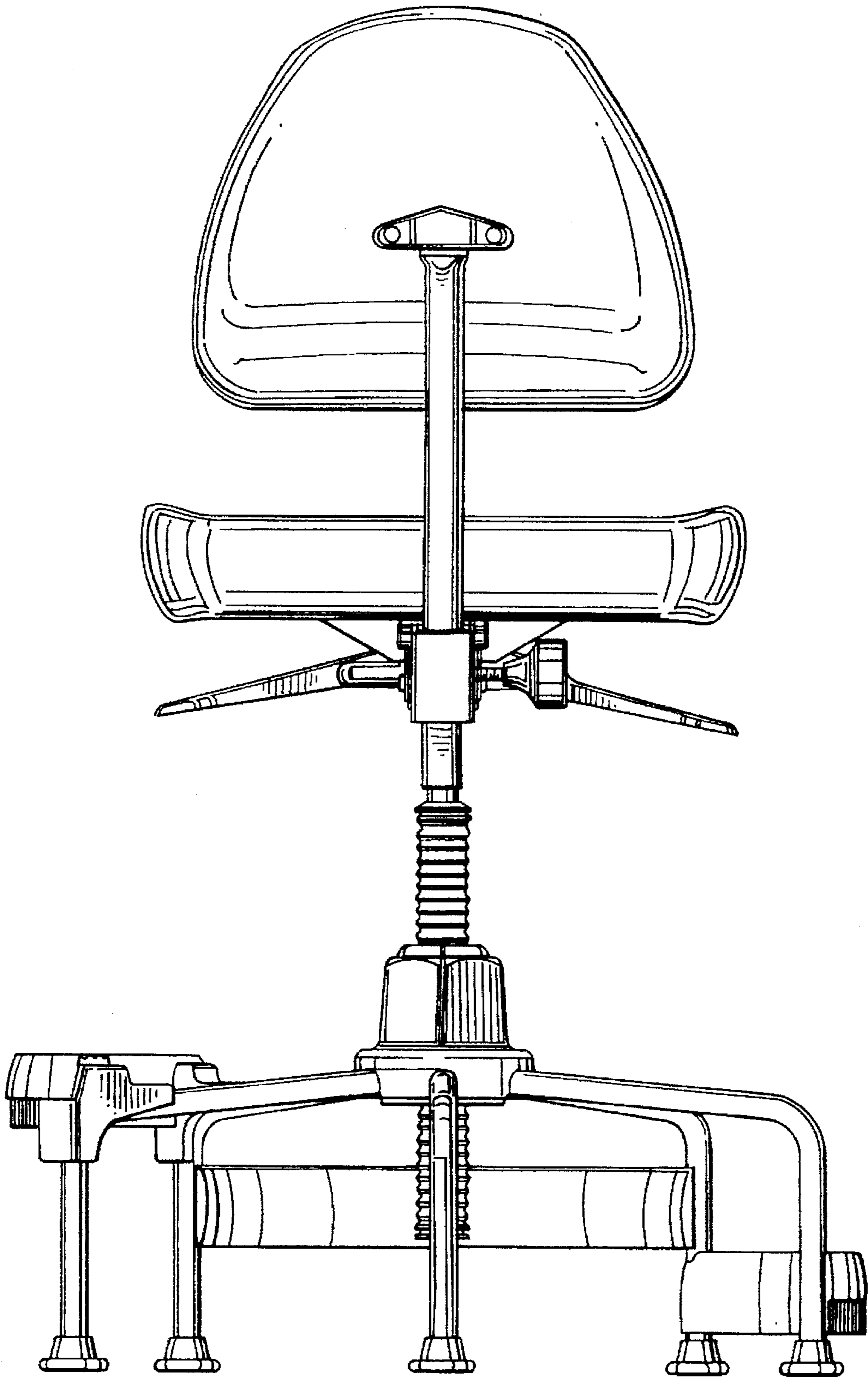
*Fig. 9*



*Fig. 10*

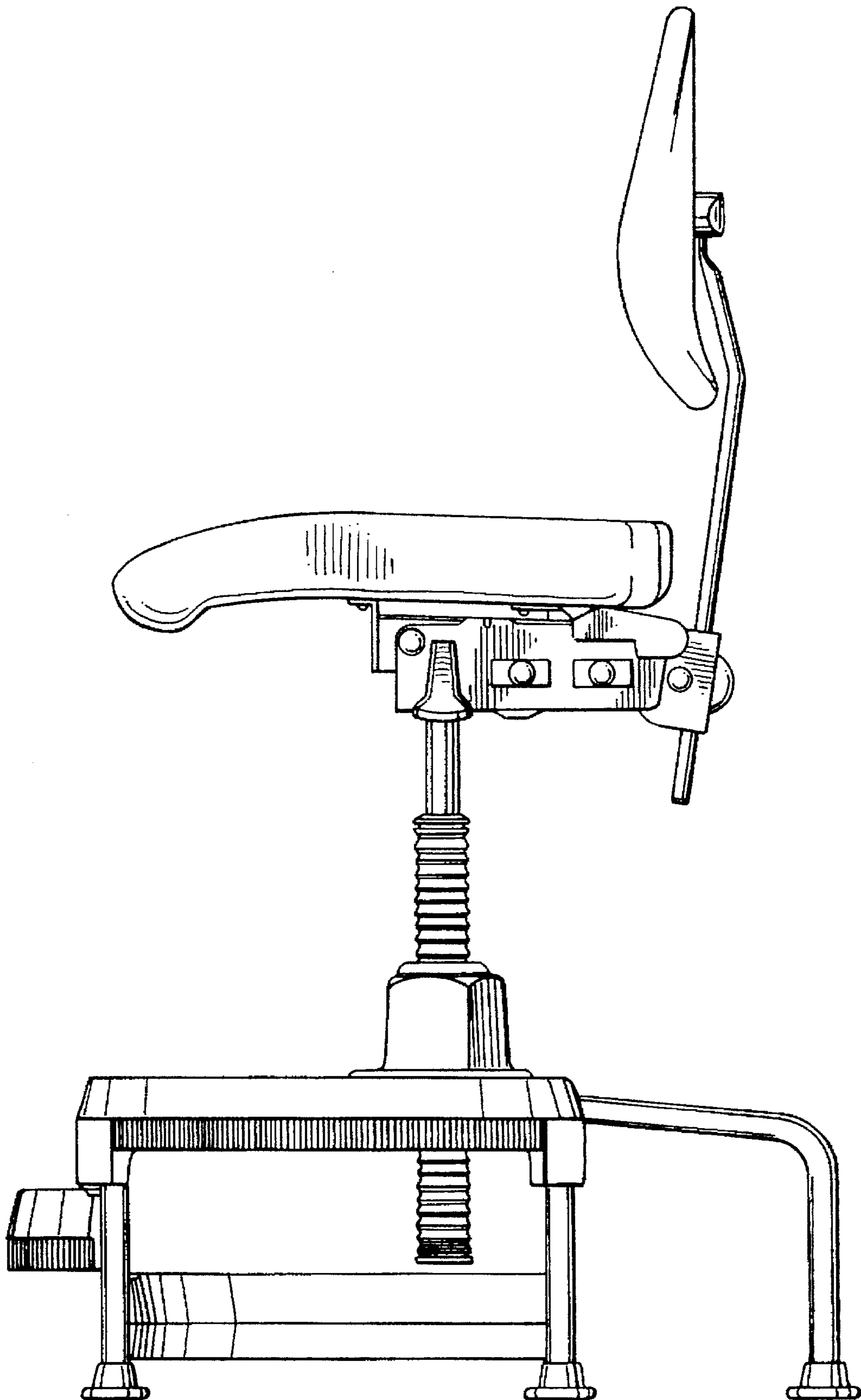


*Fig. 11*

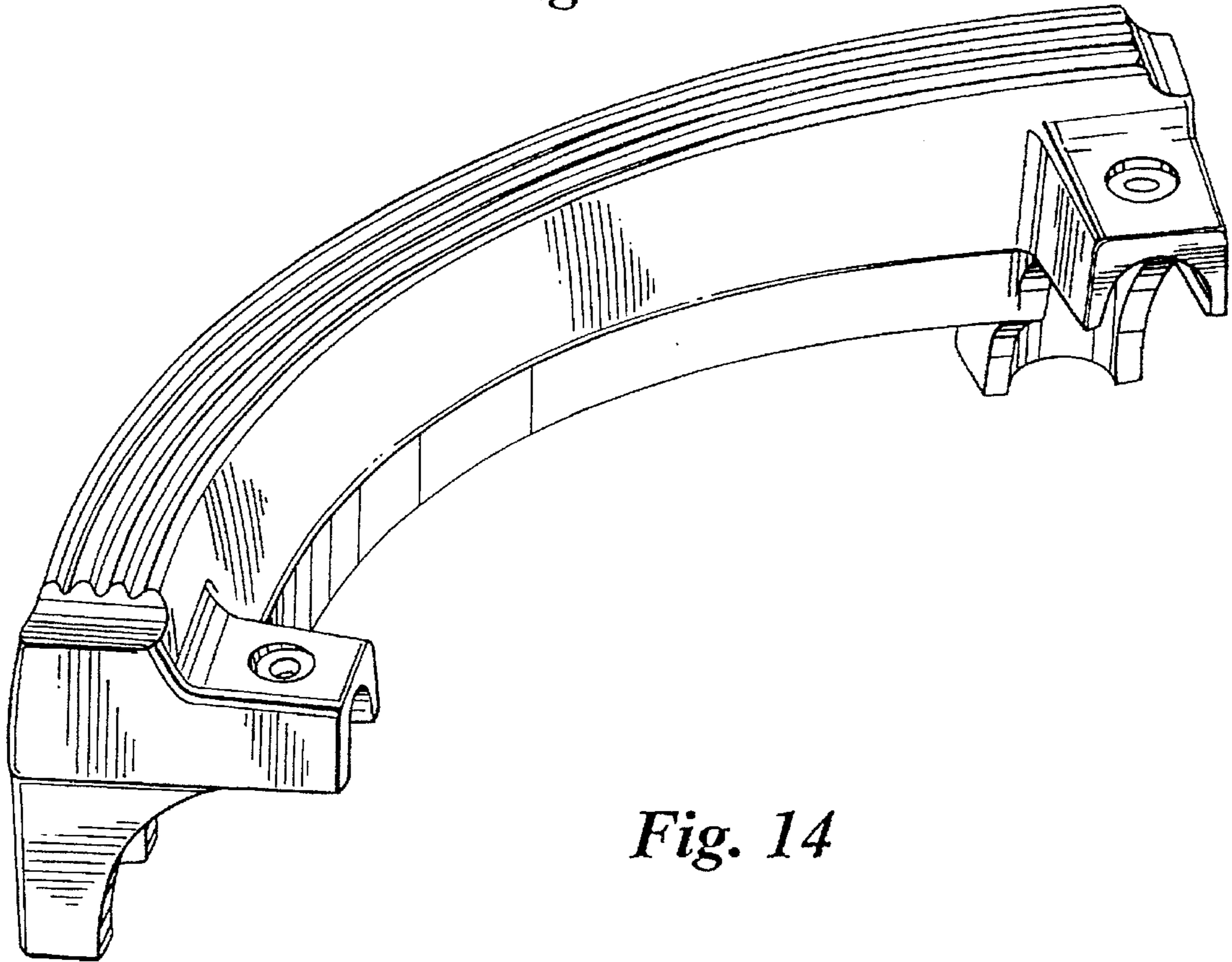




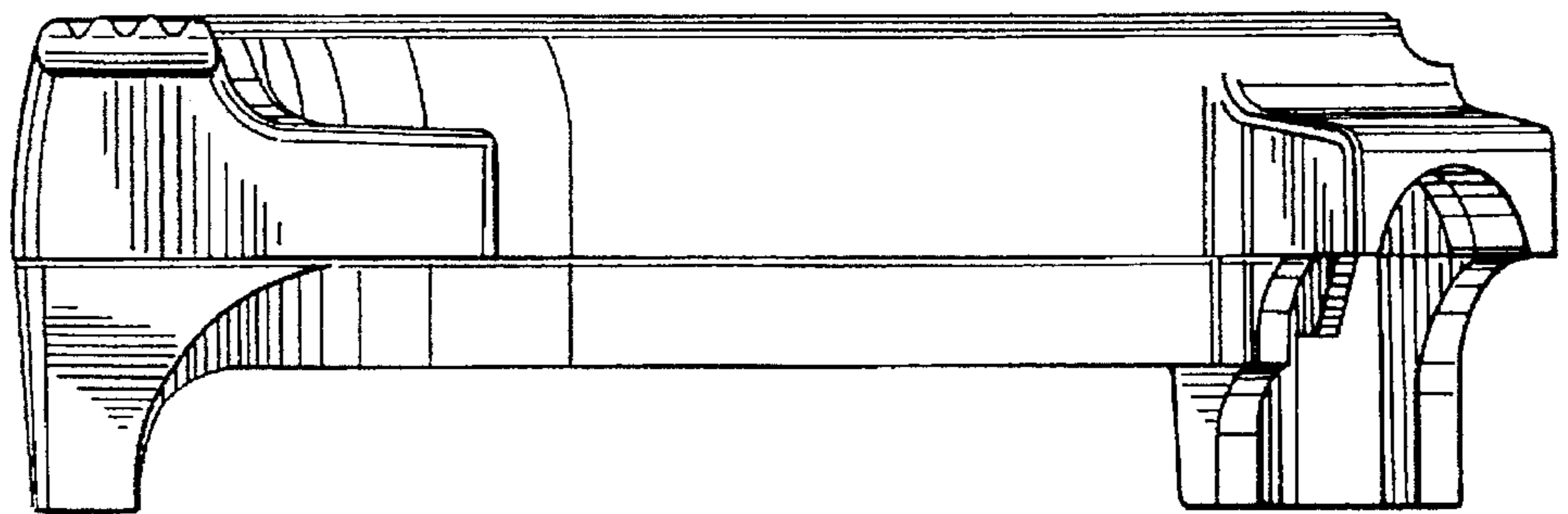
*Fig. 12*



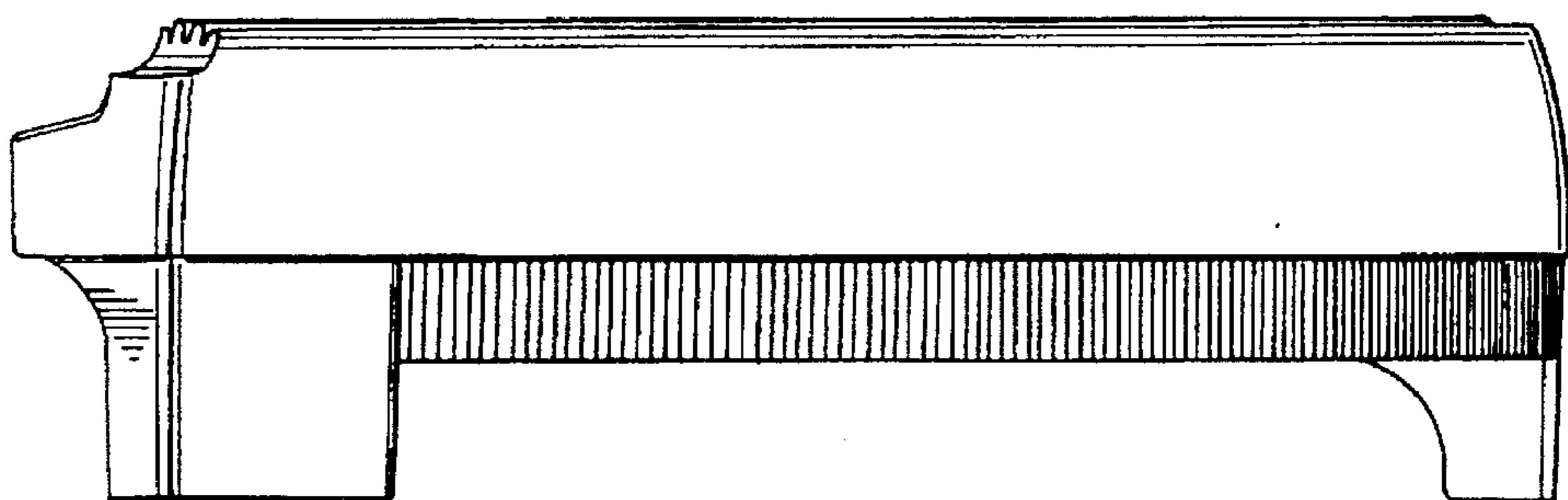
*Fig. 13*



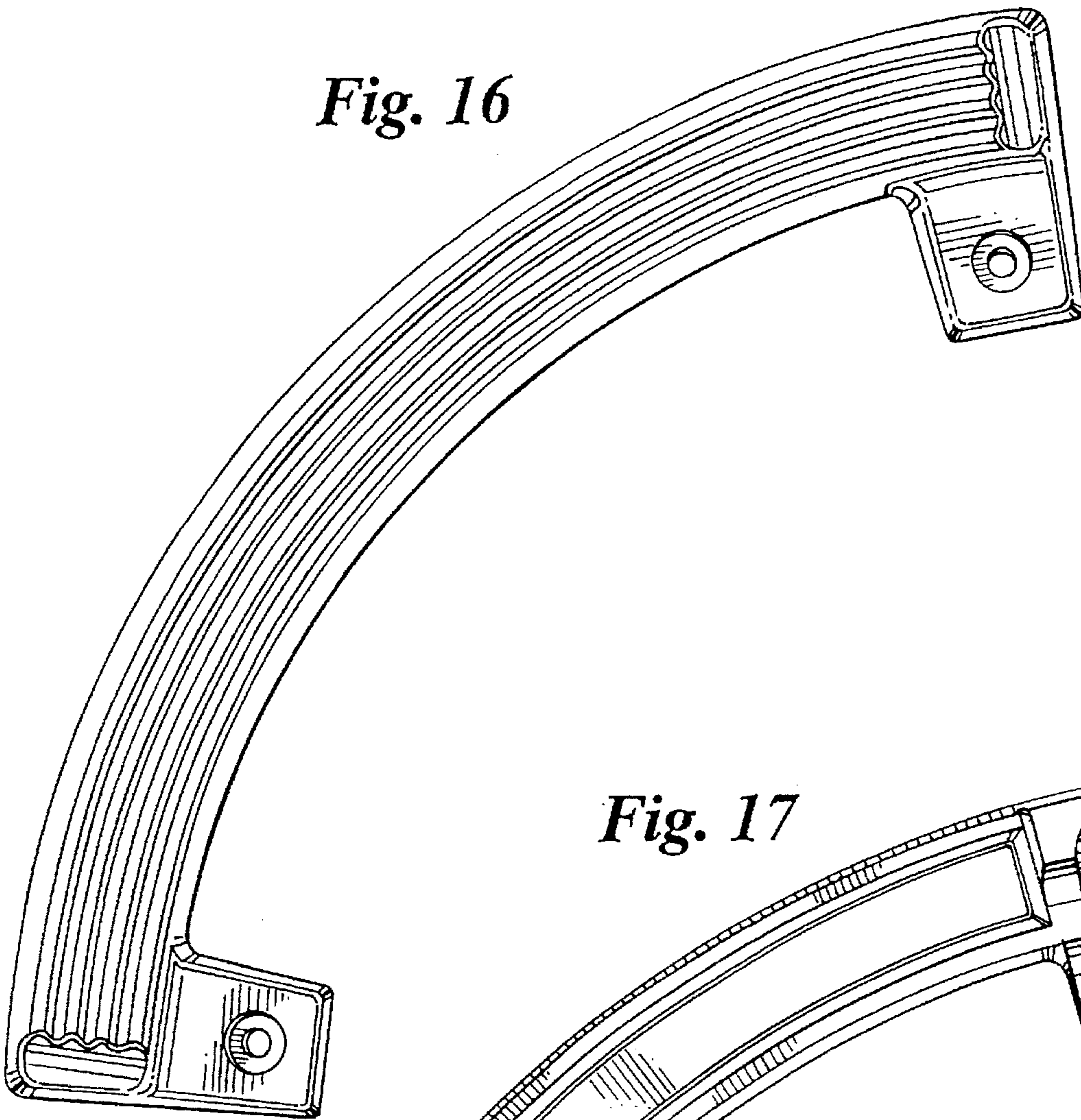
*Fig. 14*



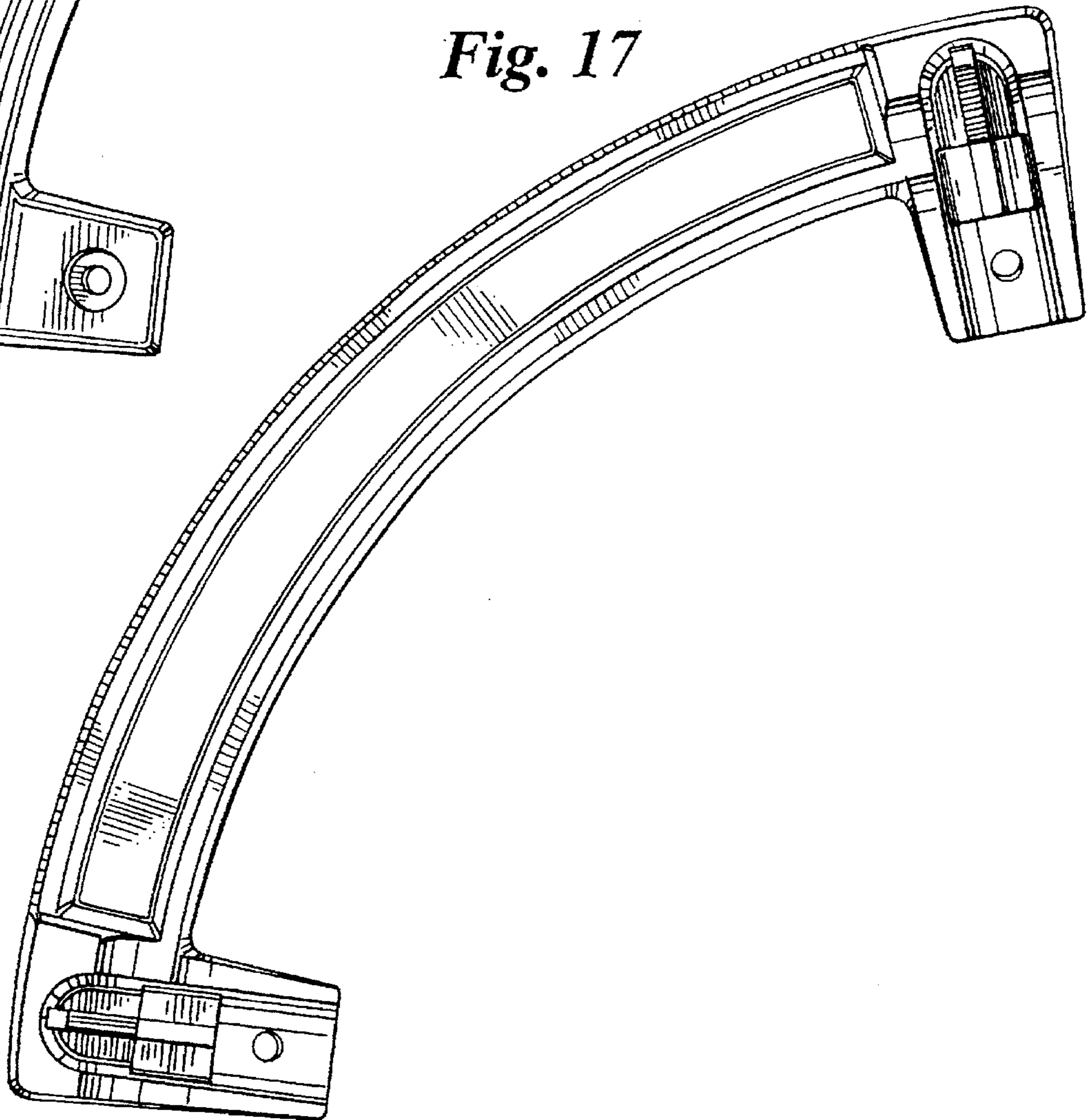
*Fig. 15*



*Fig. 16*



*Fig. 17*



*Fig. 18*

