



US00D381813S

# United States Patent [19] Hill

[11] Patent Number: **Des. 381,813**  
[45] Date of Patent: **\*\*Aug. 5, 1997**

[54] **PHOTO FRAME**

D. 91,993 4/1934 Evans ..... D9/550  
D. 214,159 5/1969 Hart ..... D9/503

[76] Inventor: **Steven G. Hill**, 522 Palmer La., Menlo Park, Calif. 94025

### OTHER PUBLICATIONS

[\*\*] Term: **14 Years**

DICO ad, Oct. 1982, p. 42, jar at lower right.

[21] Appl. No.: **48,883**

*Primary Examiner*—Janice E. Seeger

[22] Filed: **Jan. 11, 1996**

### [57] CLAIM

[51] LOC (6) Cl. .... **06-07**

The ornamental design for a photo frame, as shown and described.

[52] U.S. Cl. .... **D6/303**

[58] Field of Search ..... D6/300-314; D20/10, D20/40, 29, 37; D10/6; D9/500, 503, 550, 553; 40/700, 722, 765, 768, 780, 790, 798, 800

### DESCRIPTION

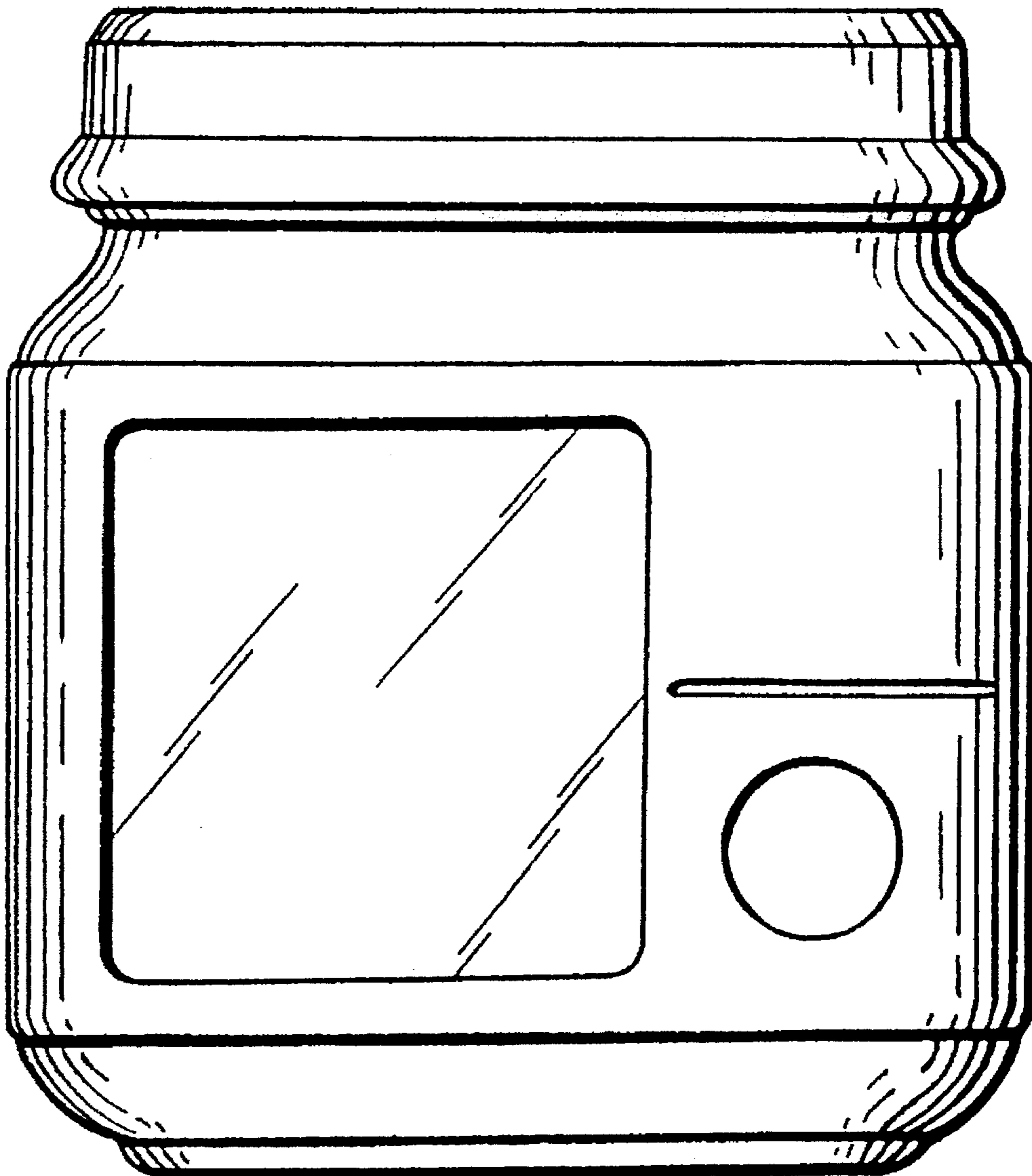
FIG. 1 is a front elevational view;  
FIG. 2 is a side elevational view;  
FIG. 3 is a top elevational view and,  
FIG. 4 is a bottom elevational view.  
The rear surface is not part of the claimed design.

### [56] References Cited

#### U.S. PATENT DOCUMENTS

D. 49,810 10/1916 Walsh ..... D20/10

**1 Claim, 4 Drawing Sheets**



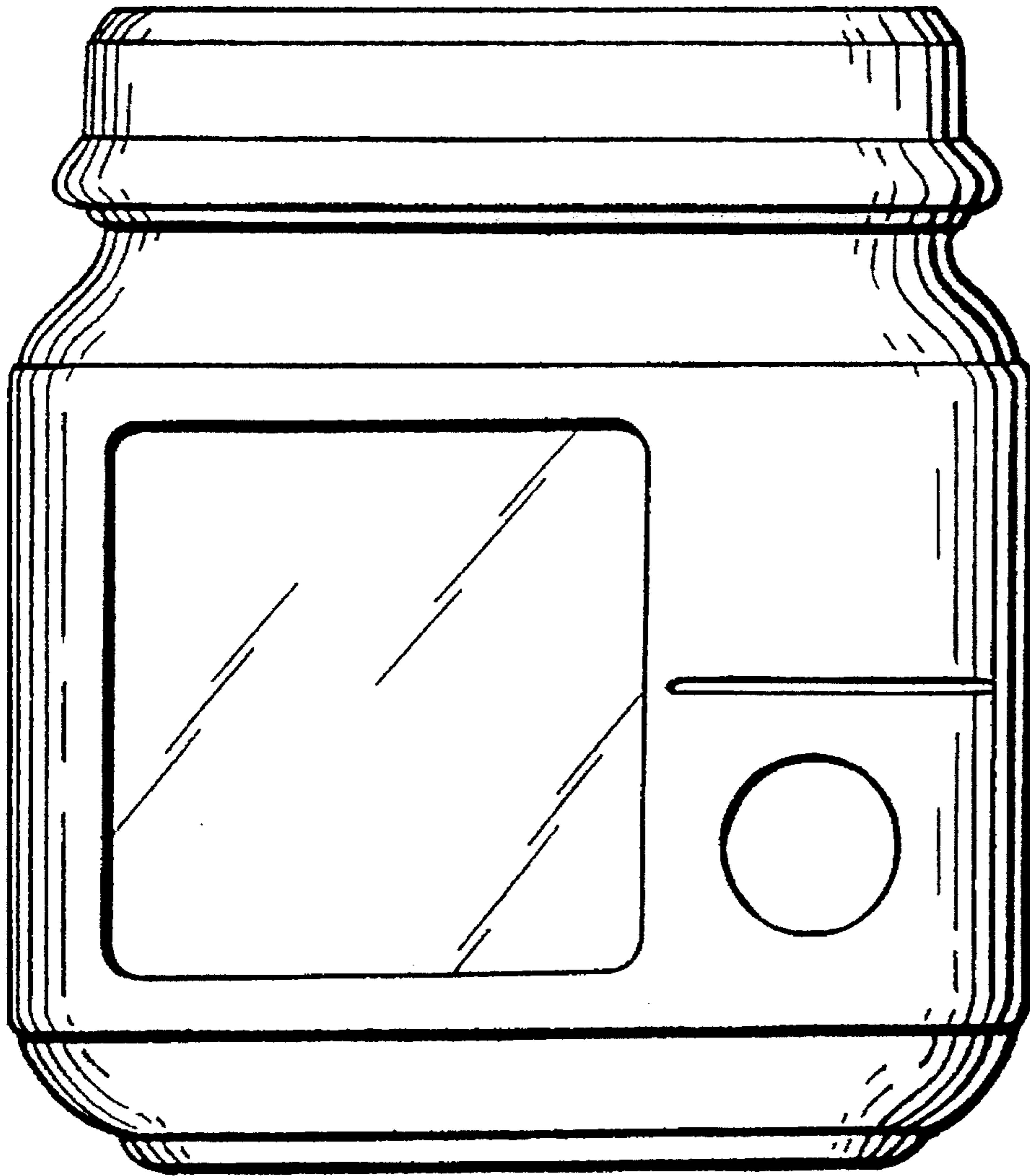


FIG. 1

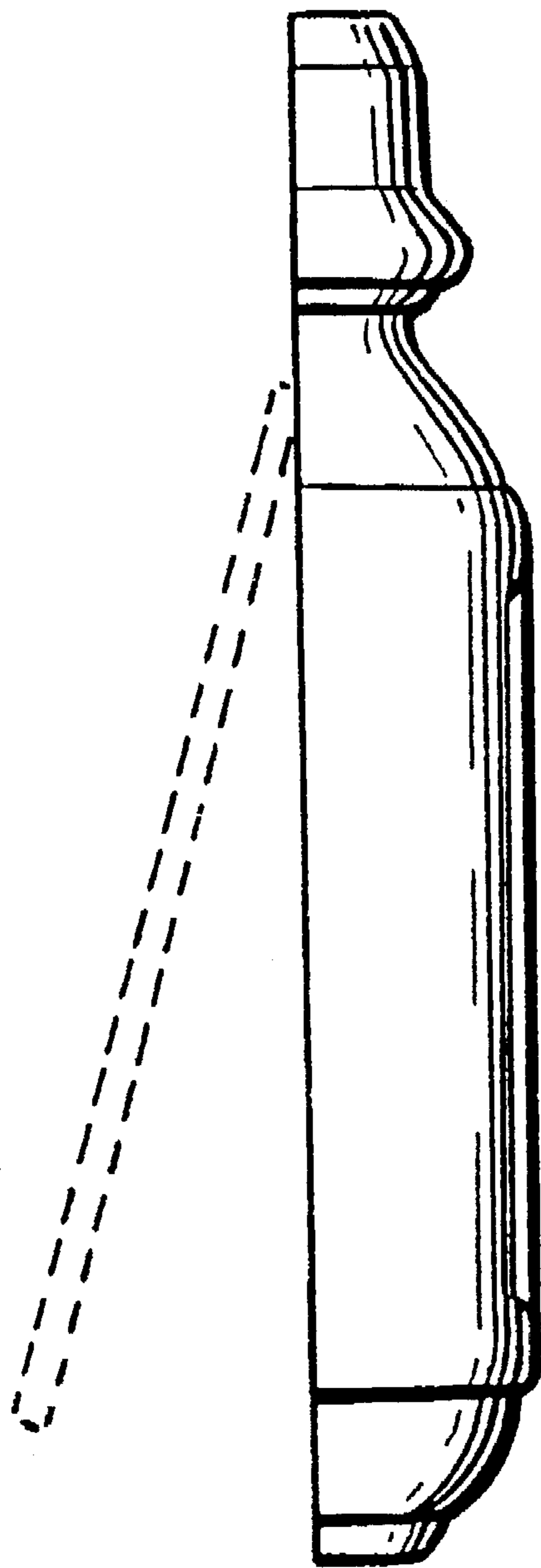


FIG. 2



FIG. 3

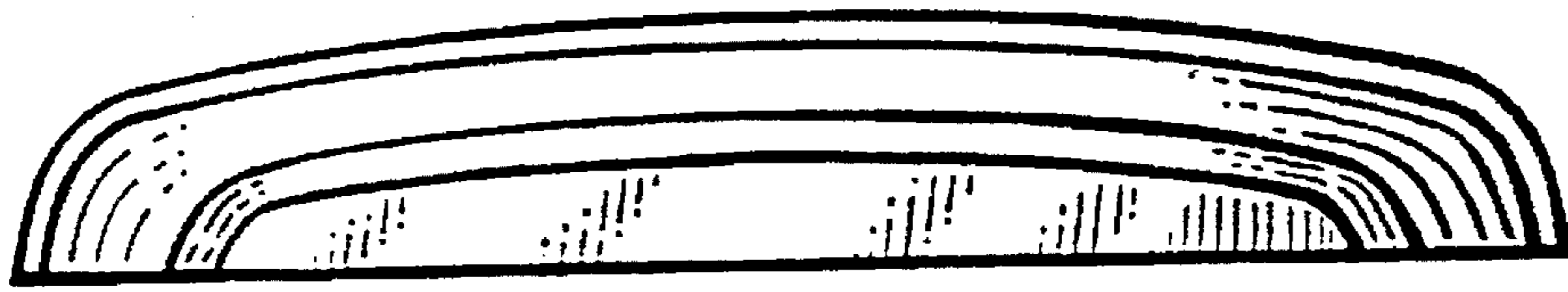


FIG. 4