



US00D381809S

United States Patent [19]

Chee et al.

[11] Patent Number: **Des. 381,809**

[45] Date of Patent: ****Aug. 5, 1997**

[54] **TOOTHBRUSH WITH CAP**

[75] Inventors: **Richard Weoi Meng Chee; Sharon Ah Hoon Low**, both of Singapore, Singapore

[73] Assignee: **Fortune Dragon PTE Ltd.**, Singapore

[**] Term: **14 Years**

D. 310,915 10/1990 Ambasz D4/105
 1,304,769 5/1919 Hendrickson 15/185
 2,744,278 5/1956 Roth 15/185
 4,116,570 9/1978 Parenti 401/155
 4,139,312 2/1979 Marano et al. 401/176
 4,467,822 8/1984 Blackwell 132/311
 4,760,642 8/1988 Kwak 30/123
 5,088,850 2/1992 Taichman et al. 401/176

[21] Appl. No.: **42,189**

[22] Filed: **Aug. 3, 1995**

FOREIGN PATENT DOCUMENTS

1 336 755 11/1973 United Kingdom .
 2 222 755 3/1990 United Kingdom .
 WO 92/07487 5/1992 WIPO .

Related U.S. Application Data

[63] Continuation-in-part of Ser. No. 249,571, Aug. 23, 1994.

Foreign Application Priority Data

Feb. 16, 1995 [GB] United Kingdom 2045299

[51] LOC (6) Cl. **04-02**

[52] U.S. Cl. **D4/108; D4/121**

[58] Field of Search D4/104-113, 121, D4/130, 132, 134, 138; 15/105, 143.1, 159.1, 160, 167.1, 167.2, 184-187; 132/308, 311

References Cited

U.S. PATENT DOCUMENTS

D. 294,433 3/1988 DeMars D4/108
 D. 300,691 4/1989 Ambasz D4/108
 D. 301,403 6/1989 Ambasz D4/108

Primary Examiner—A. Hugo Word
Assistant Examiner—Lavone D. Tabor
Attorney, Agent, or Firm—Allen Bloom; Arthur E. Jackson

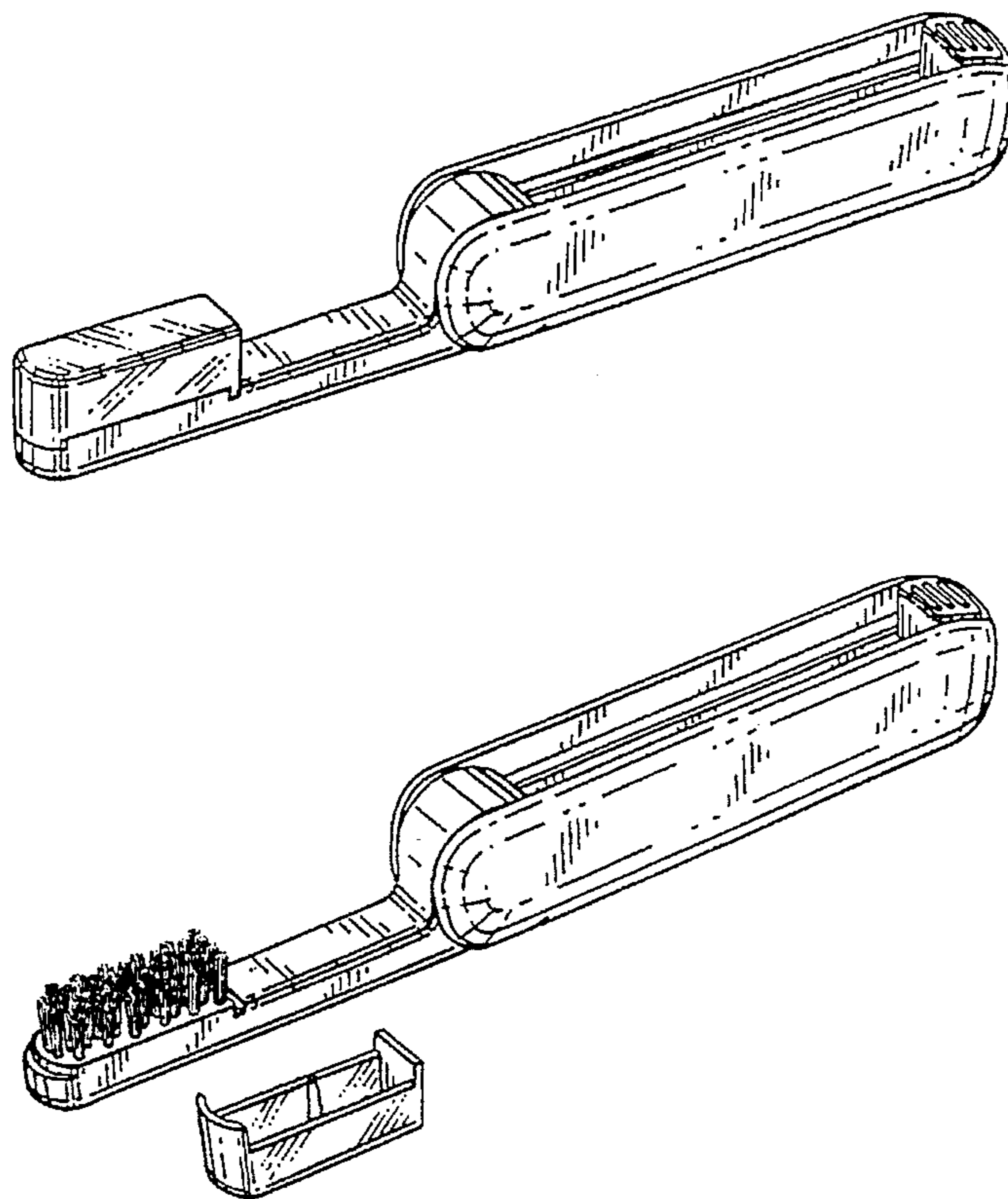
CLAIM

The ornamental design for toothbrush with cap, as shown and described.

DESCRIPTION

FIG. 1 is a front perspective view of a toothbrush with cap showing our new design;
 FIG. 2 is a rear elevational view thereof;
 FIG. 3 is a side elevational view thereof, the opposite side being a mirror image;
 FIG. 4 is a top plan view thereof;
 FIG. 5 is a bottom plan view thereof;
 FIG. 6 is an exploded perspective view thereof with the cap removed to expose the toothbrush bristles; and,
 FIG. 7 is a perspective view thereof in the folded position.

1 Claim, 2 Drawing Sheets



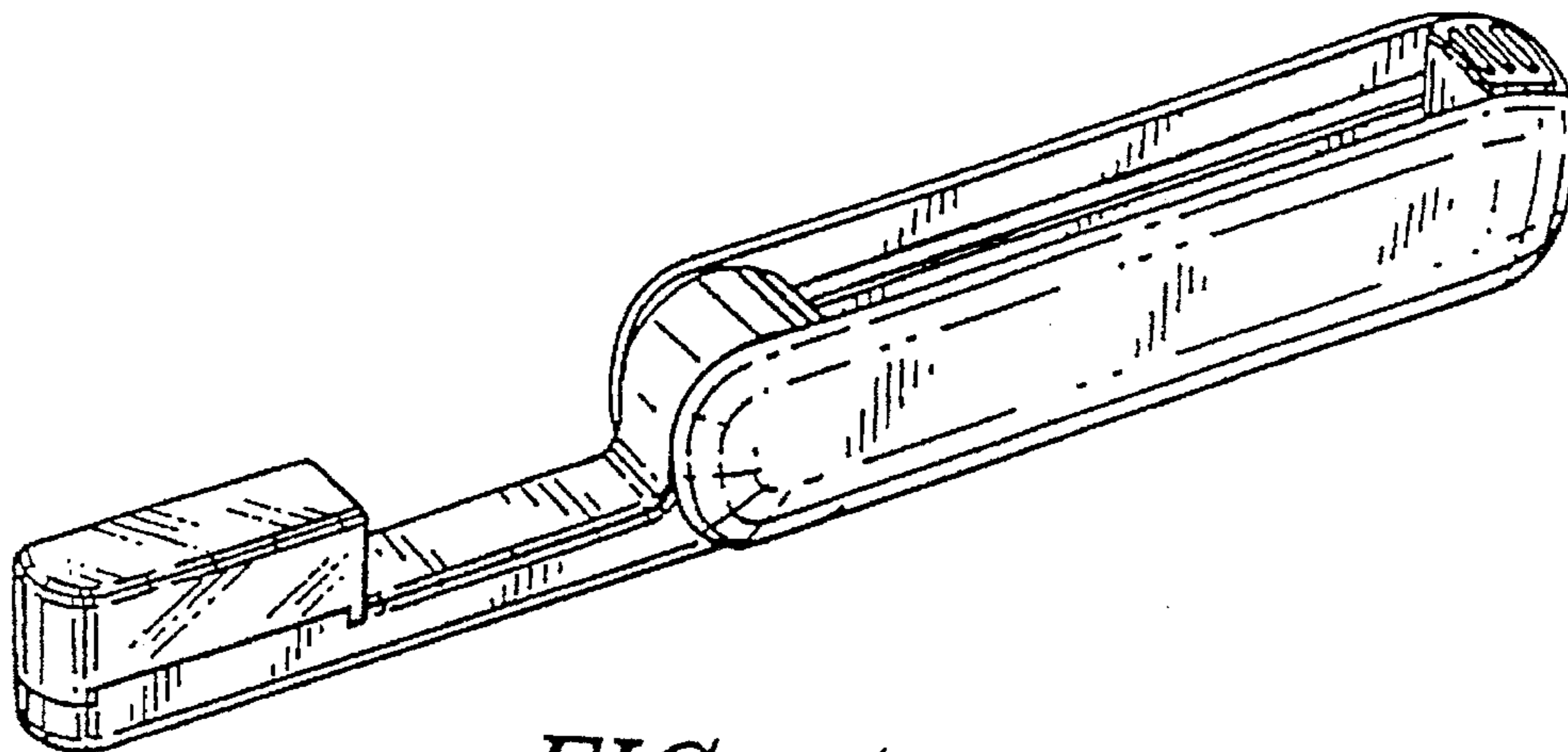


FIG. 1

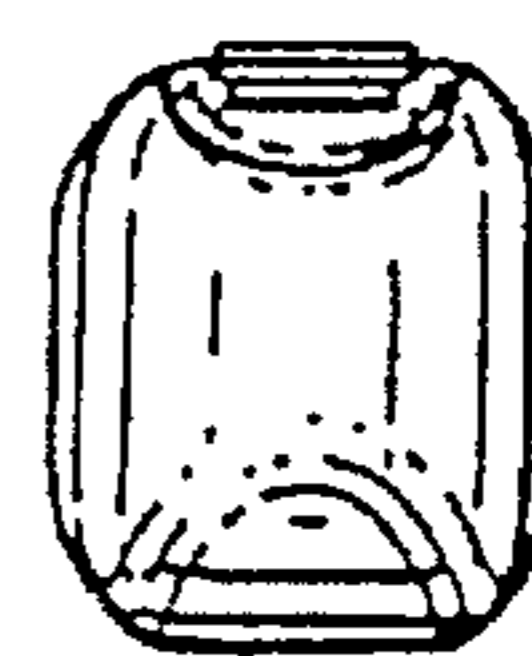


FIG. 2

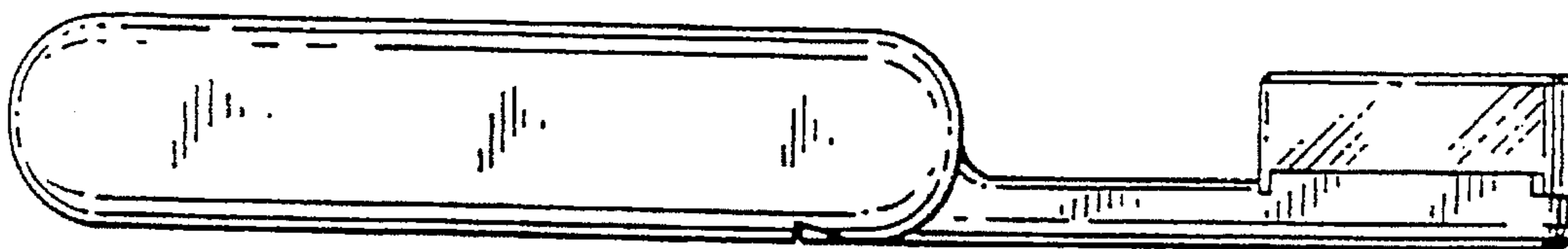


FIG. 3

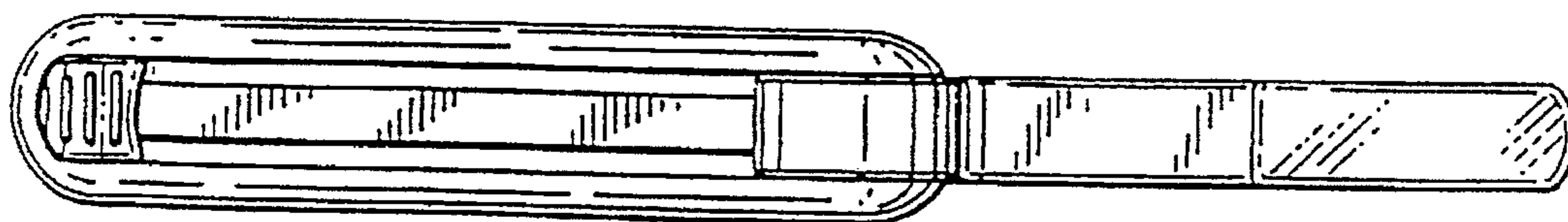


FIG. 4

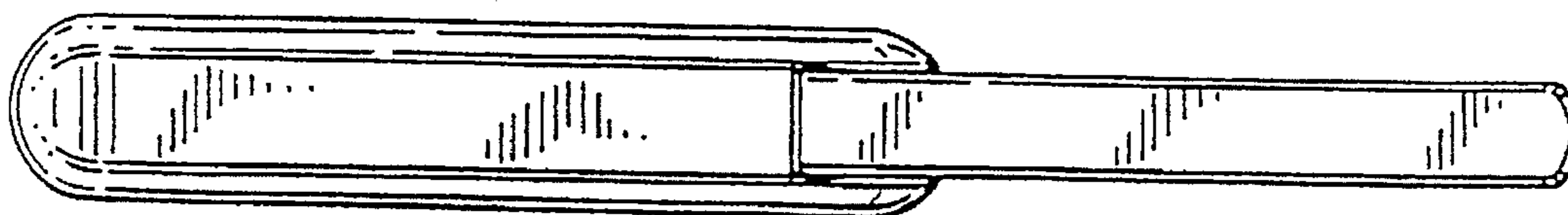


FIG. 5

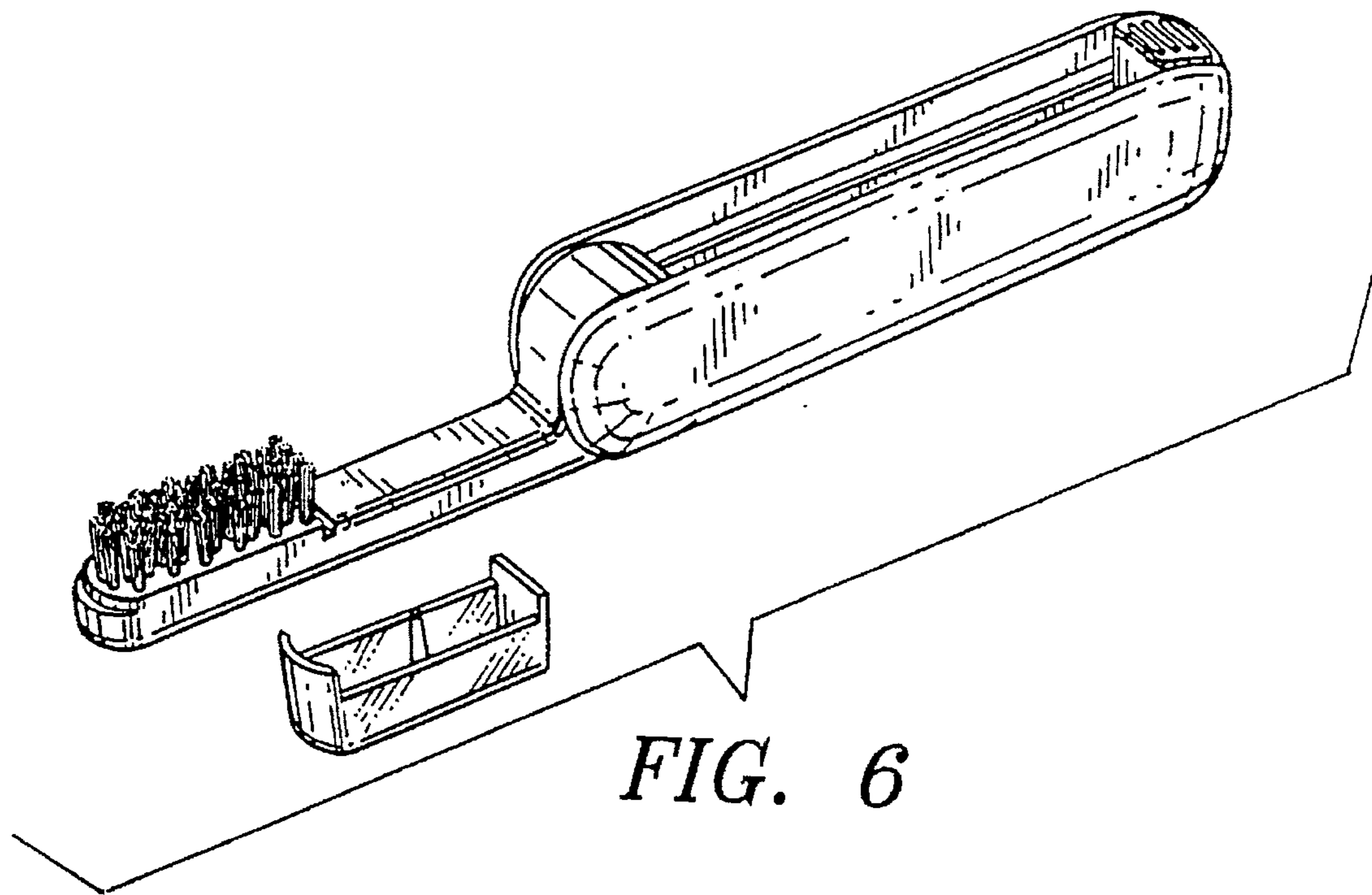


FIG. 6

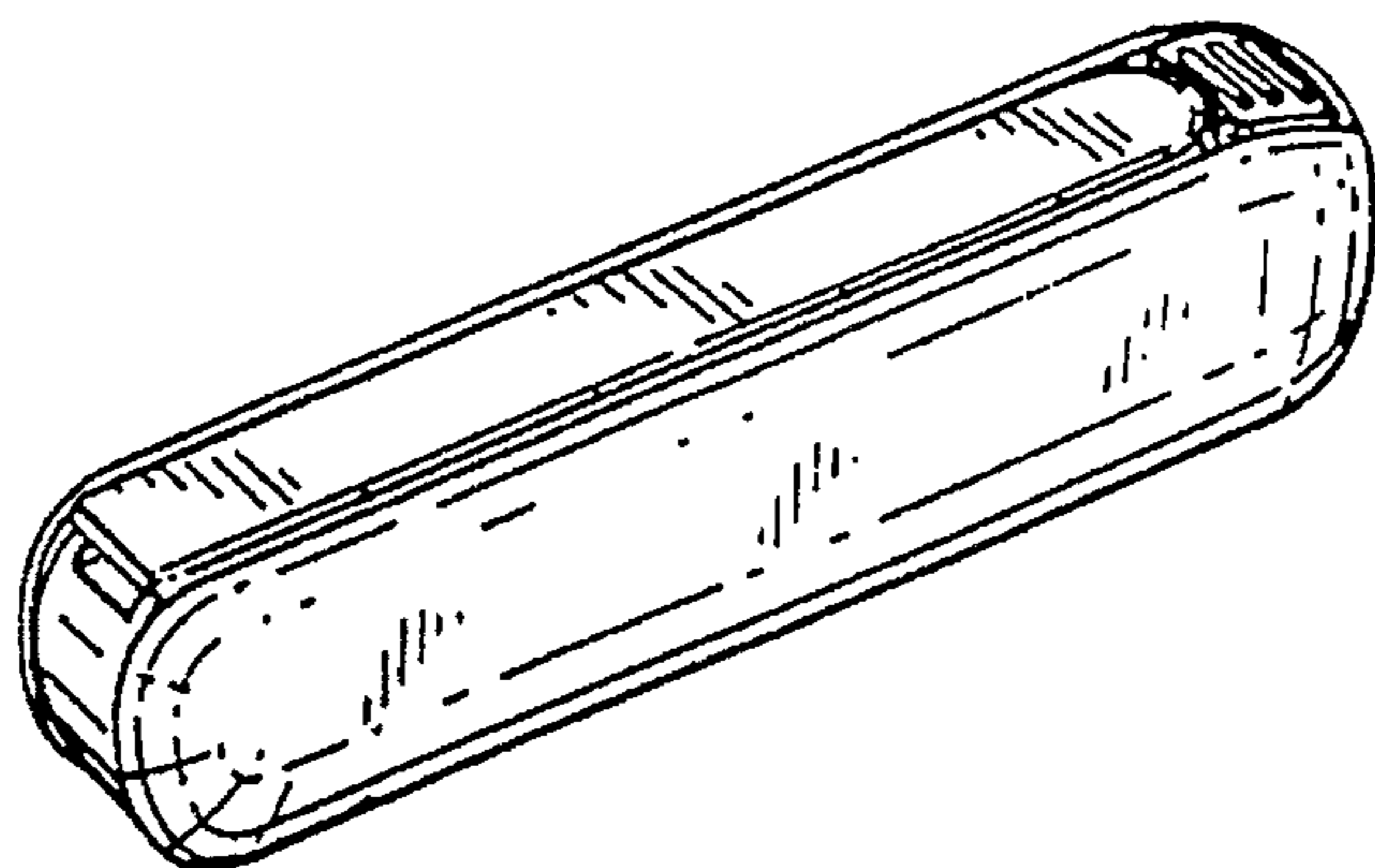


FIG. 7