



US00D381807S

United States Patent [19] Pickle

[11] Patent Number: **Des. 381,807**

[45] Date of Patent: ****Aug. 5, 1997**

[54] **MULTI-PURPOSE TOOLBOX**

[76] Inventor: **A. Scott Pickle**, 17004 Villa Rita Dr.,
Whittier, Calif. 90603

[**] Term: **14 Years**

[21] Appl. No.: **53,656**

[22] Filed: **Apr. 29, 1996**

[51] LOC (6) Cl. **03-01**

[52] U.S. Cl. **D12/421; D12/421**

[58] Field of Search **D3/273, 274, 269,
D3/294; D12/419, 420, 421, 114, 407, 423,
424; 206/349, 372, 373**

[56] **References Cited**

U.S. PATENT DOCUMENTS

D. 202,385	9/1965	Wilson	D12/424
D. 205,637	8/1966	Wilson	D12/424
D. 251,035	2/1979	Hart	D12/421
D. 271,542	11/1983	Rockwell	D12/419
D. 307,733	5/1990	Kushitani	D3/283
D. 314,539	2/1991	Swanner	D12/421
3,561,589	2/1971	Larkin et al.	.	
3,804,233	4/1974	Gregg, Jr.	.	
4,773,535	9/1988	Cook	206/373
5,160,026	11/1992	Marsh	206/373

Primary Examiner—Philip S. Hyder
Attorney, Agent, or Firm—Dennis H. Lambert

[57] **CLAIM**

The ornamental design for a multi-purpose toolbox, as shown and described.

DESCRIPTION

FIG. 1 is a front, top and side perspective view of the multi-purpose toolbox embodying the design of the present invention;

FIG. 2 is a front end elevational view thereof, the end opposite being a mirror image of the side shown in FIG. 2; FIG. 3 is a side elevational view thereof, the side opposite being a mirror image of the side shown in FIG. 3;

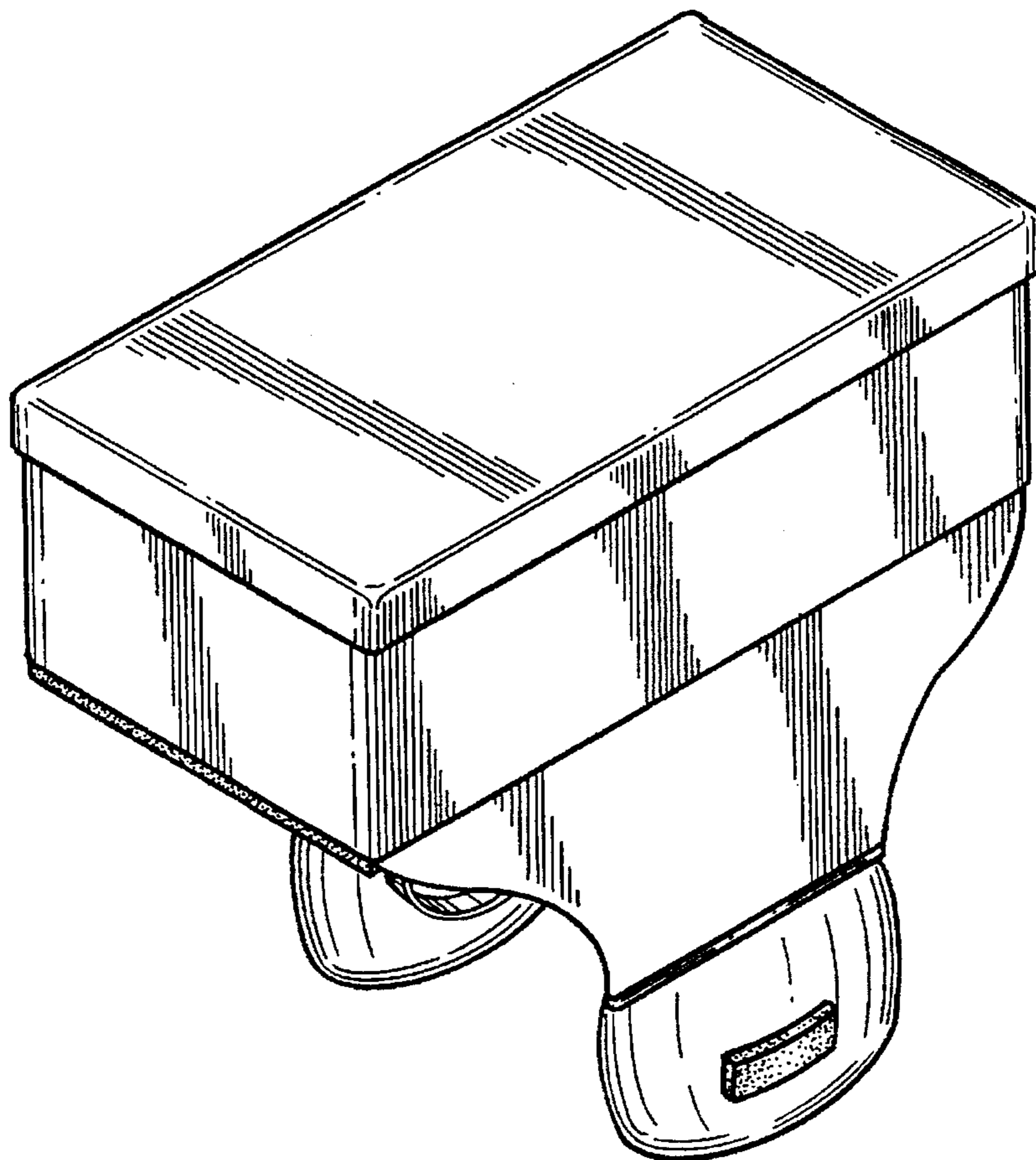
FIG. 4 is a top plan view thereof;

FIG. 5 is a bottom plan view thereof;

FIG. 6 is a front, top and side perspective view of the multi-purpose toolbox with the straps in folded position; and,

FIG. 7 is a front, top and side perspective view of the multi-purpose toolbox, wherein the broken line showing of the vehicle is for illustrative purposes only and forms no part of the claimed design.

1 Claim, 4 Drawing Sheets



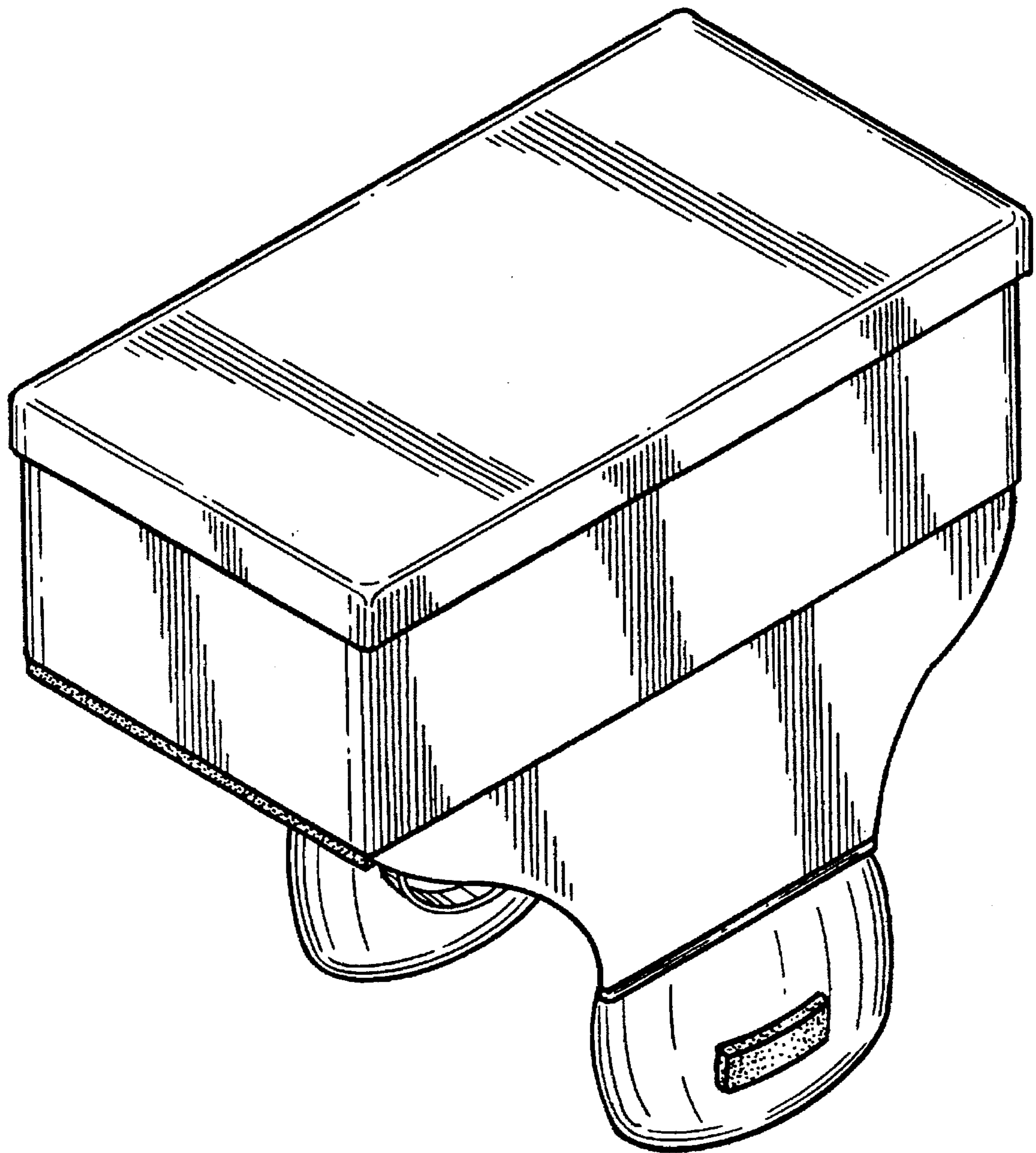


FIG. 1.

FIG. 2.

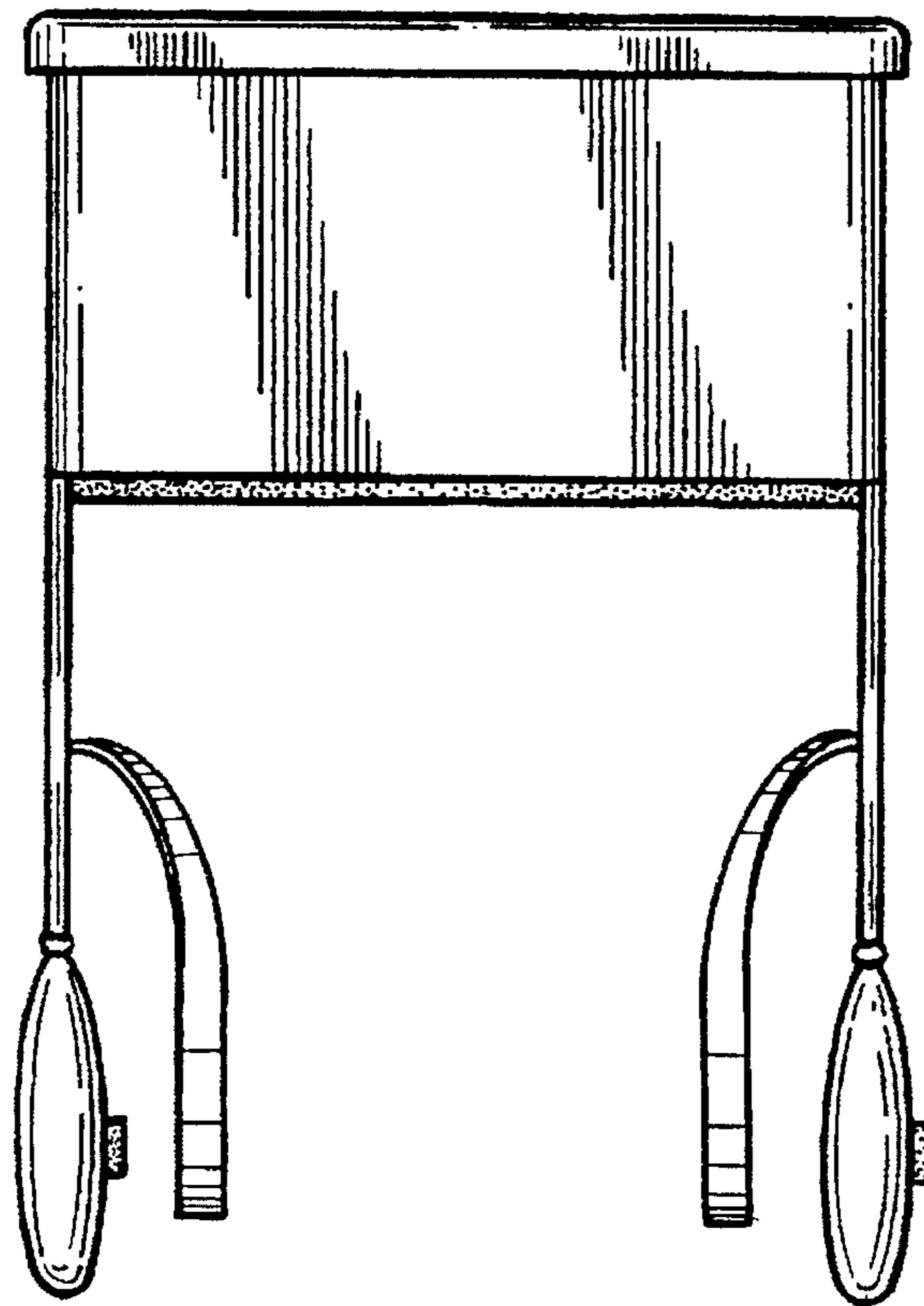


FIG. 5.

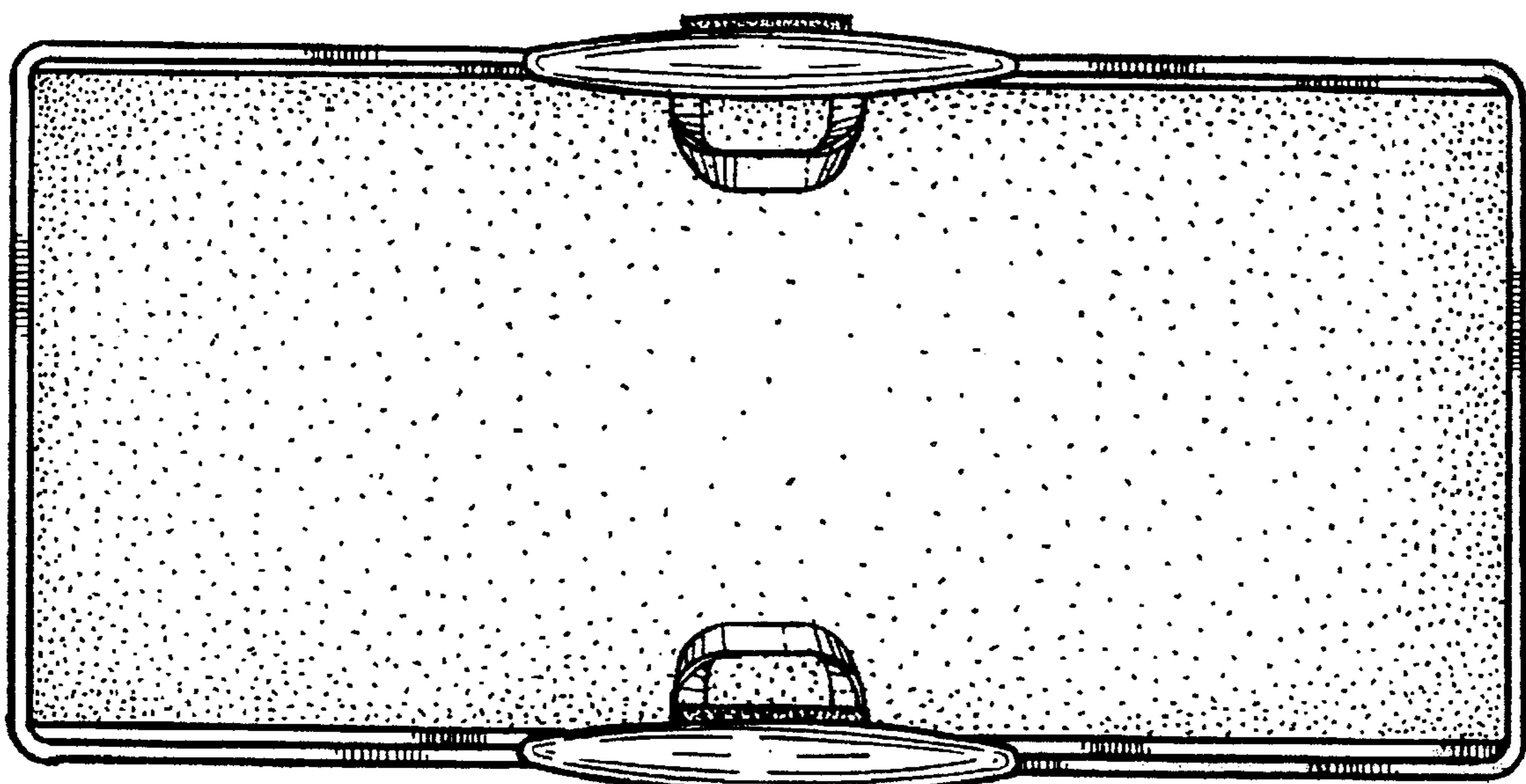


FIG. 3.

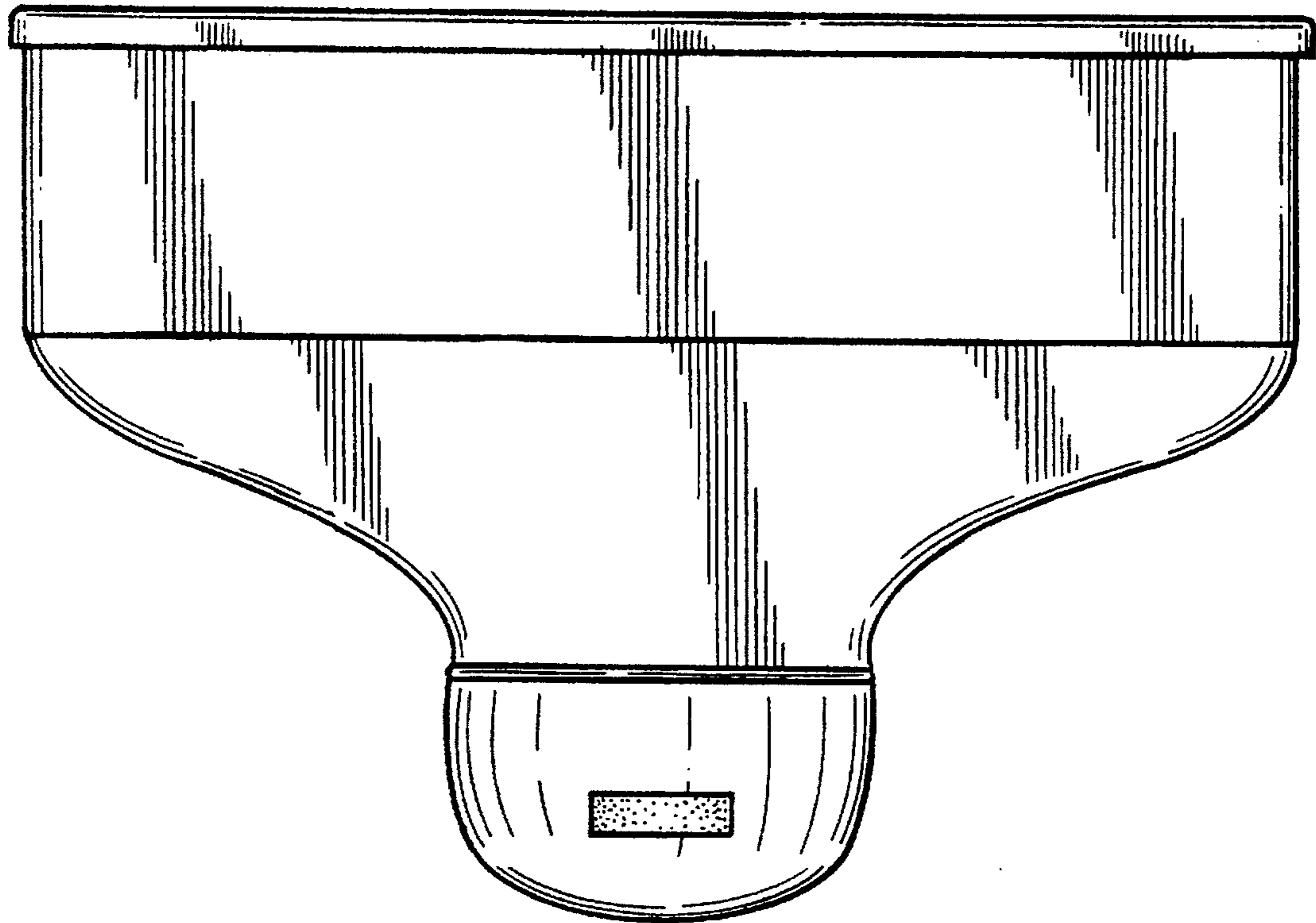
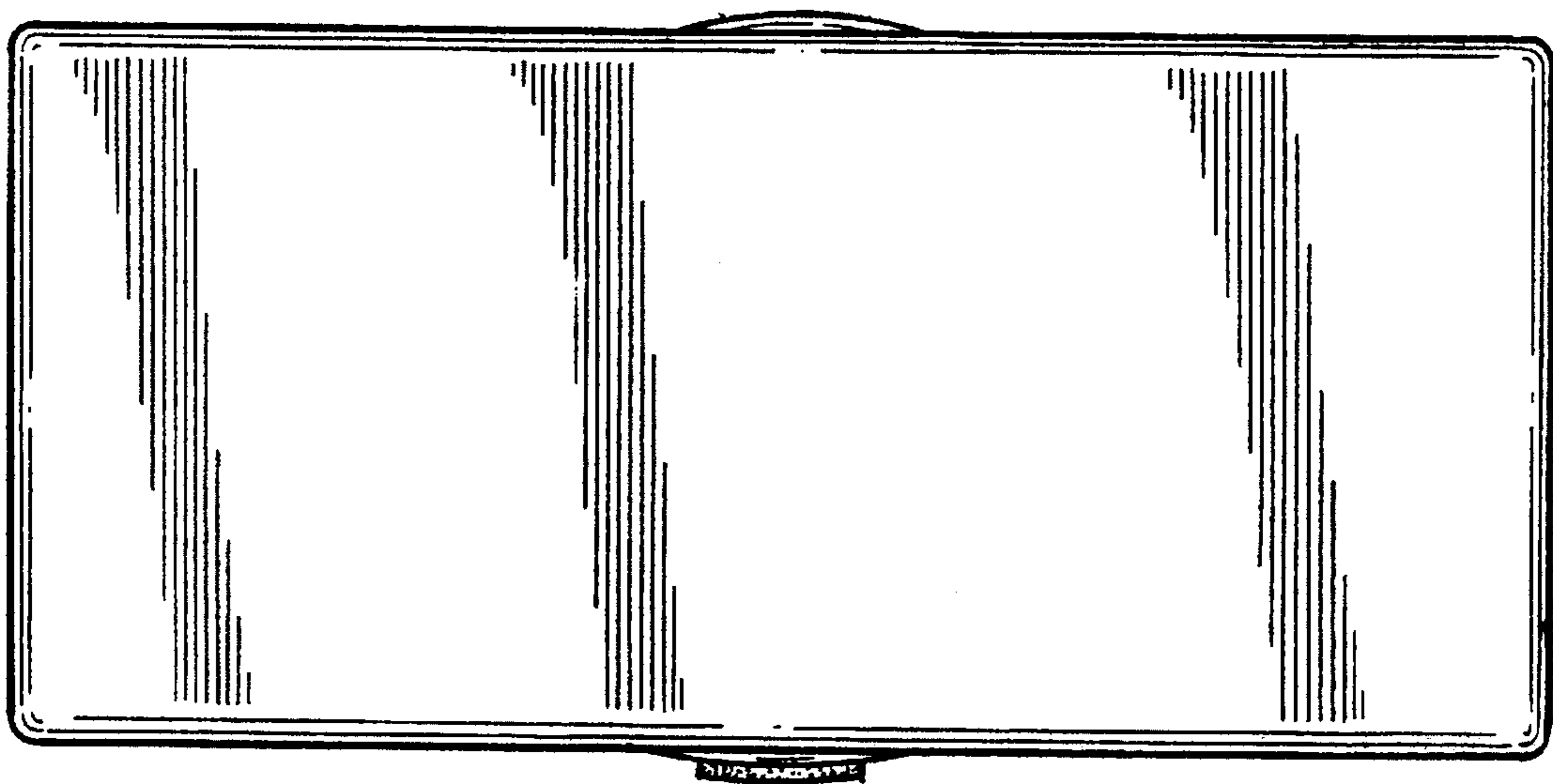


FIG. 4.



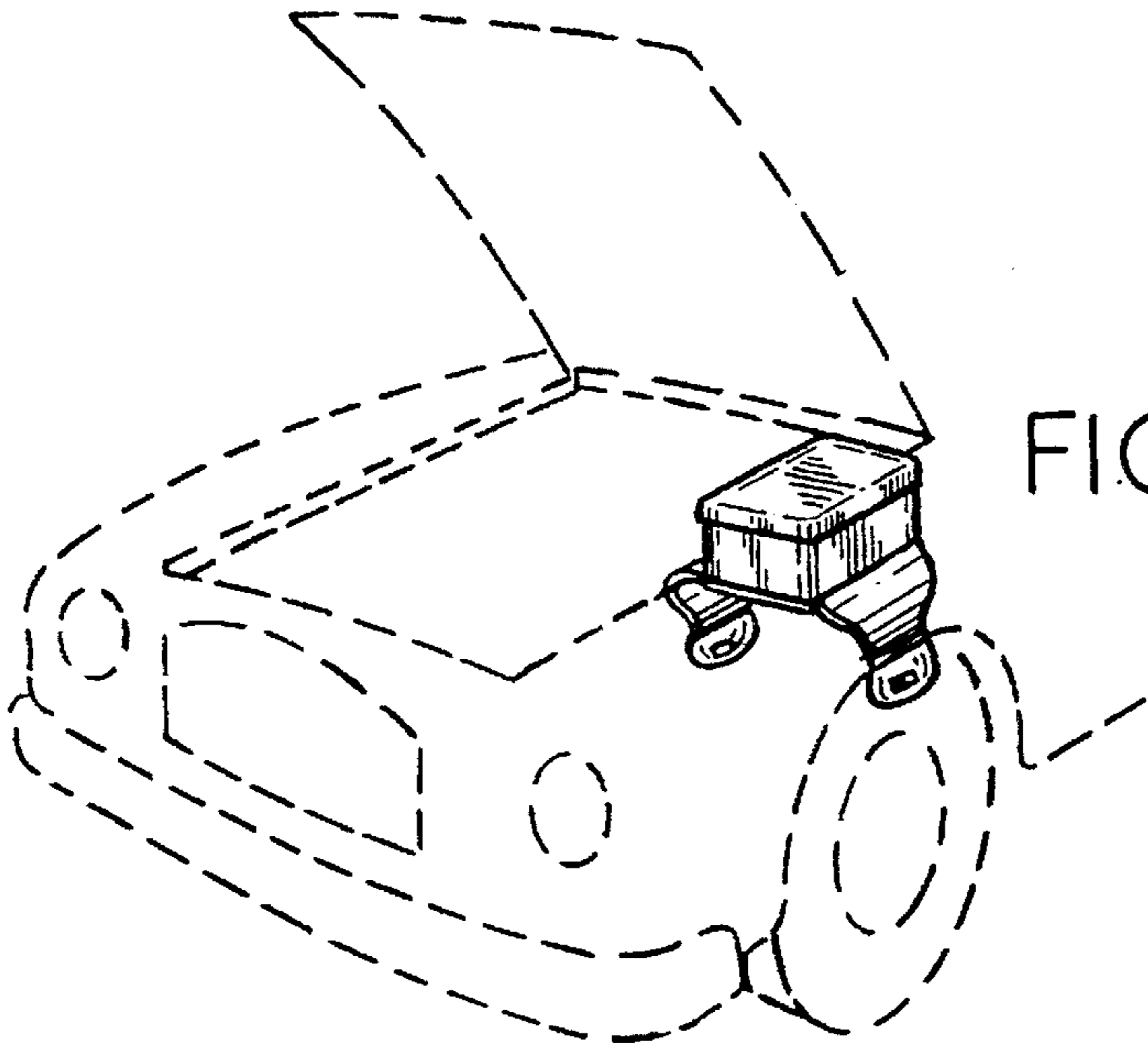


FIG. 7.

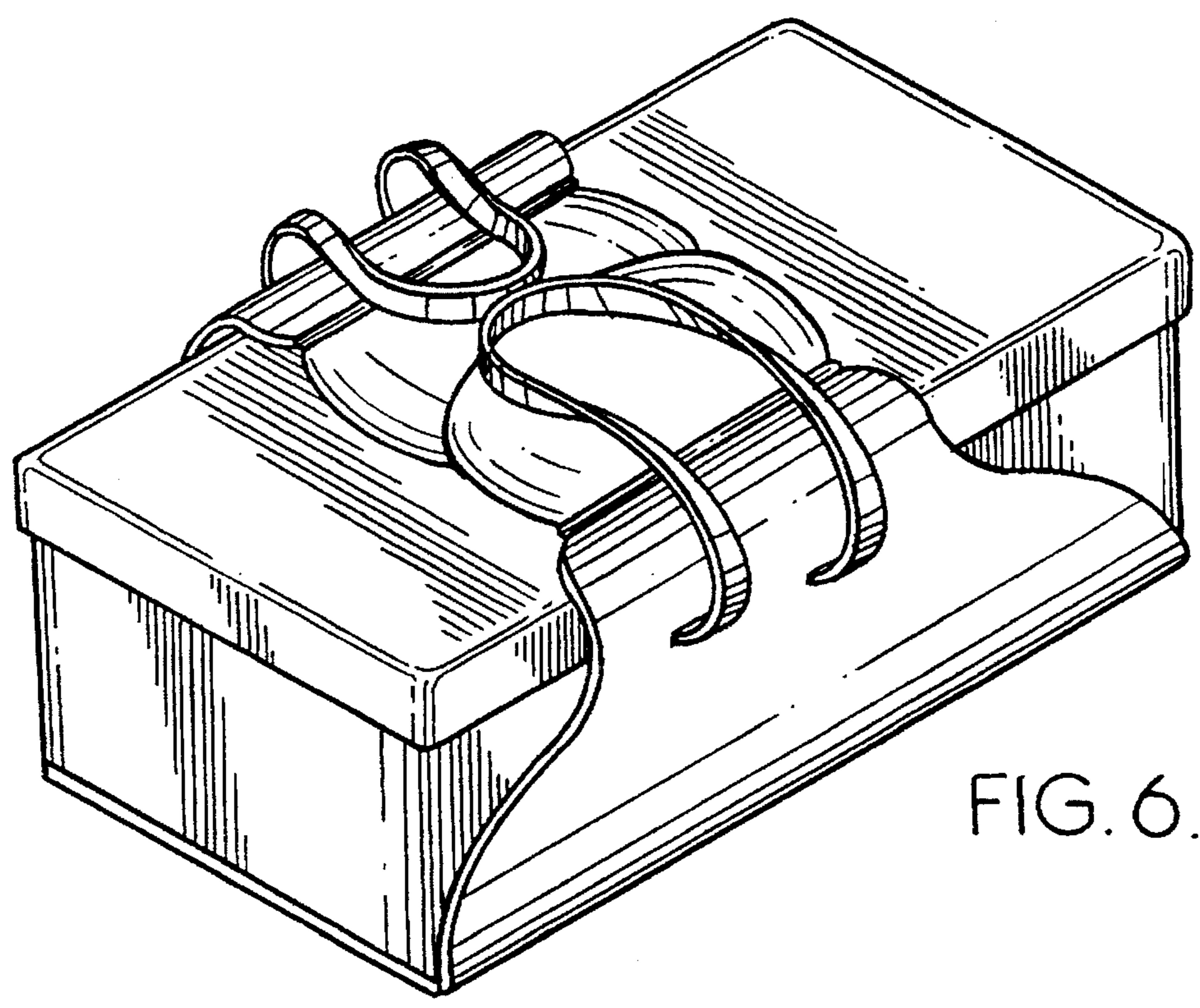


FIG. 6.