



US00D381805S

United States Patent [19]
Case

[11] **Patent Number: Des. 381,805**

[45] **Date of Patent: **Aug. 5, 1997**

[54] **FLASHLIGHT CARRIER SLEEVE AND HANDLE**

[76] **Inventor: Richard N. Case, 2525 Arapahoe, Suite E4-277, Boulder, Colo. 80302**

[**] **Term: 14 Years**

[21] **Appl. No.: 47,152**

[22] **Filed: Nov. 28, 1995**

[51] **LOC (6) Cl. 03-01**

[52] **U.S. Cl. D3/229**

[58] **Field of Search** D3/229, 228; 224/251, 224/255, 268, 269, 250, 620, 621, 651, 667, 904; 362/105, 109; D26/37, 38, 39, 40, 41, 42

[56] **References Cited**

U.S. PATENT DOCUMENTS

| | | | | | |
|------------|---------|--------------|-------|---------|---|
| D. 252,051 | 6/1979 | Luen | | D26/42 | X |
| D. 276,079 | 10/1984 | Cheng | | D26/42 | |
| D. 293,628 | 1/1988 | Teachey | | D3/229 | |
| D. 328,820 | 8/1992 | Davie | | D3/229 | |
| D. 344,411 | 2/1994 | Henry et al. | | D3/229 | |
| 1,408,527 | 3/1922 | Lyhne | | D26/37 | X |
| 4,209,116 | 6/1980 | Hendricks | | 294/152 | |
| 4,462,064 | 7/1984 | Schweitzer | | 362/105 | |
| 4,911,347 | 3/1990 | Wilhite | | 224/251 | X |

| | | | | |
|-----------|---------|-------------|-------|---------|
| 5,053,932 | 10/1991 | Case | | 362/105 |
| 5,135,455 | 8/1992 | King et al. | | 482/108 |
| 5,180,352 | 1/1993 | Sreter | | 482/108 |
| 5,188,450 | 2/1993 | Anderson | | 362/194 |
| 5,423,586 | 6/1995 | Fuller | | 294/149 |

Primary Examiner—Doris V. Coles
Assistant Examiner—Catherine R. Oliver
Attorney, Agent, or Firm—Donald W. Margolis; John R. Wahl

[57] **CLAIM**

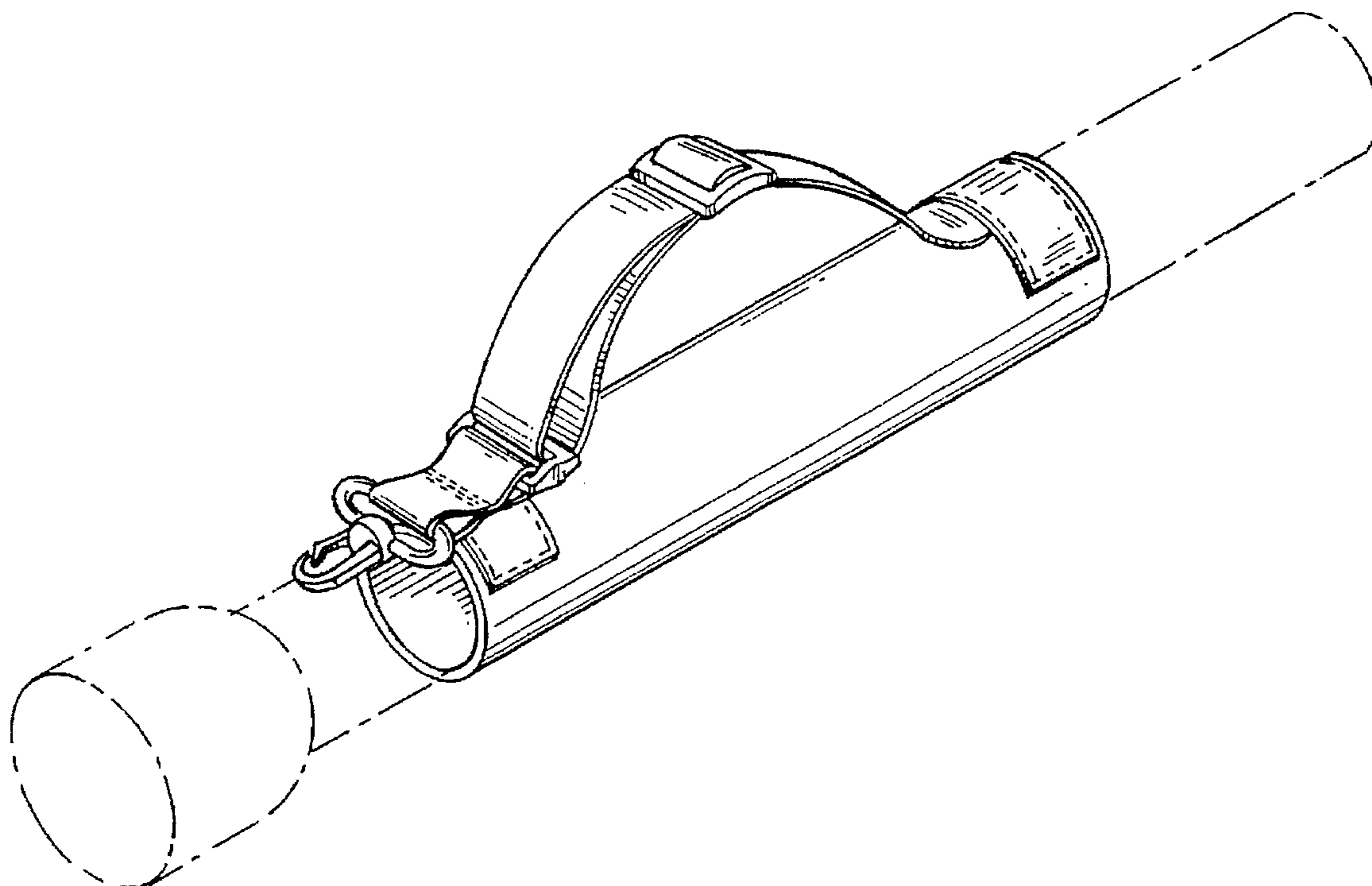
The ornamental design for a flashlight carrier sleeve and handle, as shown and described.

DESCRIPTION

FIG. 1 is a front, top perspective view of the flashlight carrier sleeve and handle in accordance with my design, the broken lines showing a flashlight being for illustrative purposes only and forming no part of the claimed design; FIG. 2 is a top plan view of the flashlight carrier sleeve and handle shown in FIG. 1;

FIG. 3 is a bottom plan view thereof;
FIG. 4 is a left side elevational view thereof;
FIG. 5 is a right side elevational view thereof;
FIG. 6 is a front elevational view thereof; and,
FIG. 7 is a rear elevational view thereof.

1 Claim, 2 Drawing Sheets



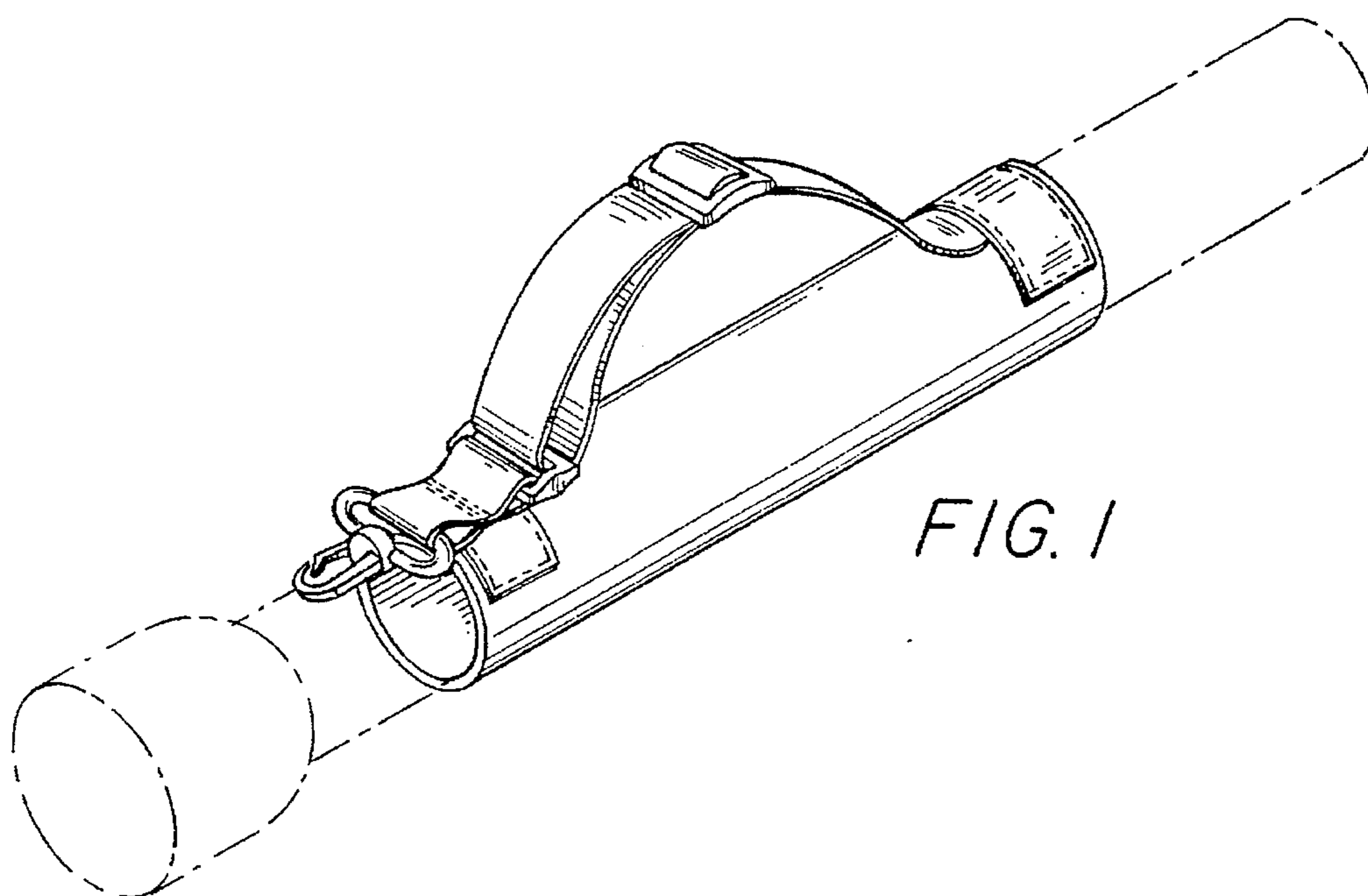


FIG. 1

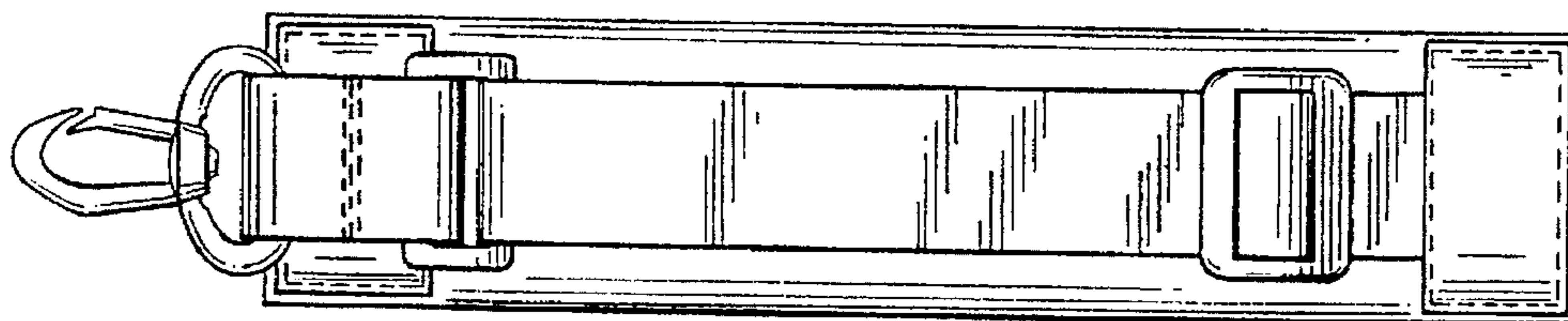


FIG. 2

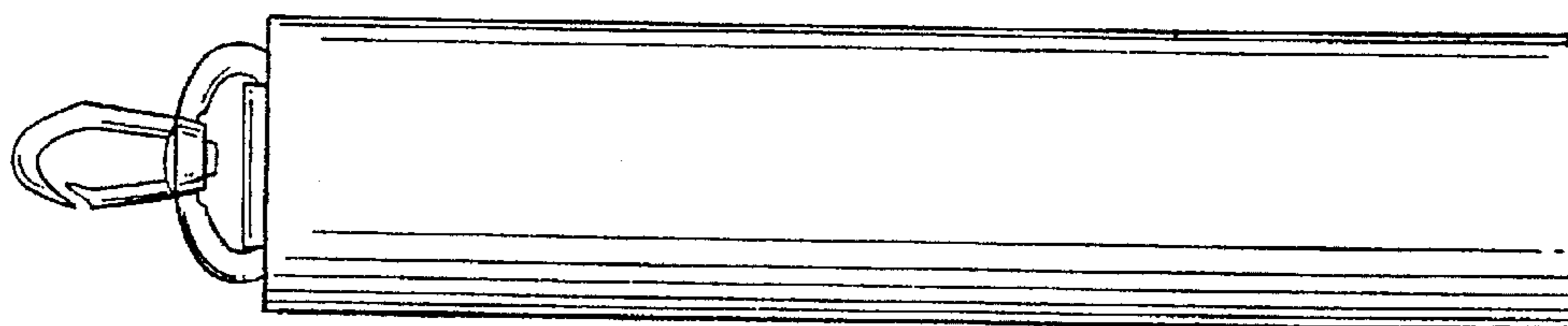


FIG. 3

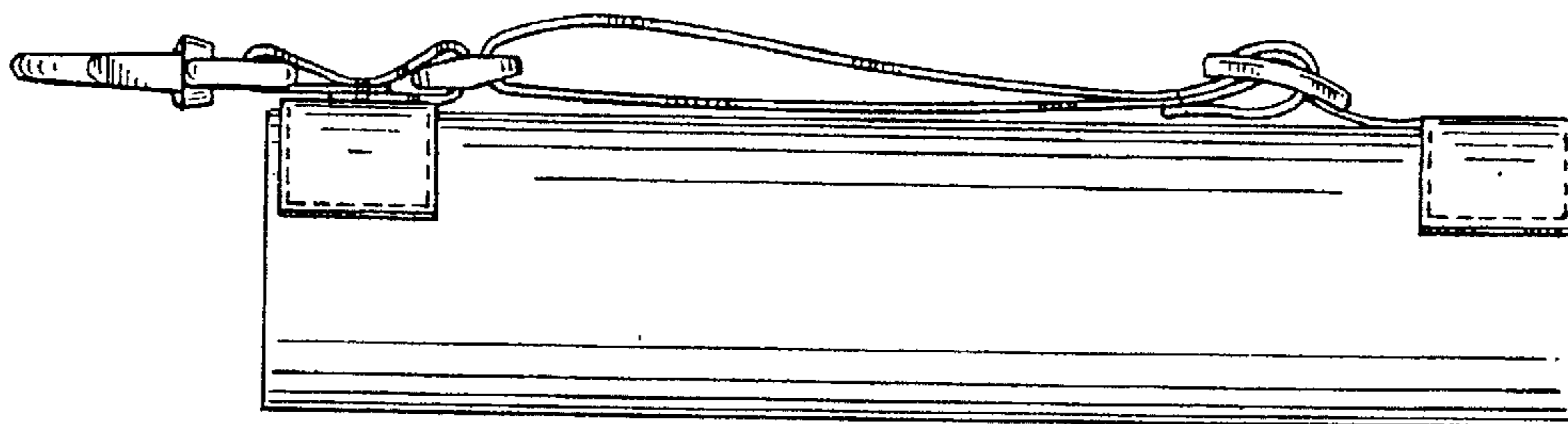


FIG. 4

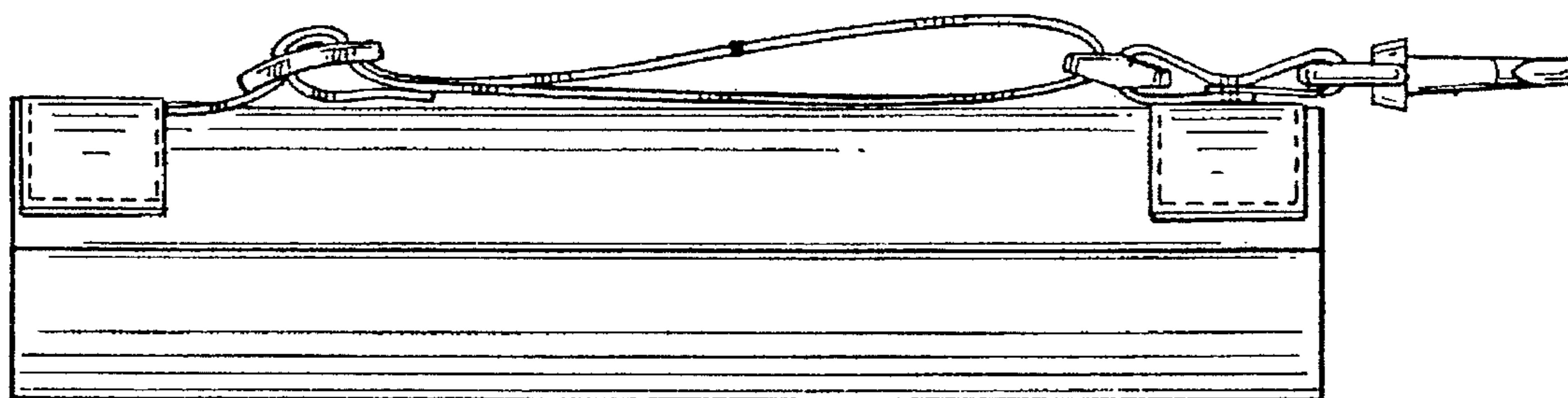


FIG. 5

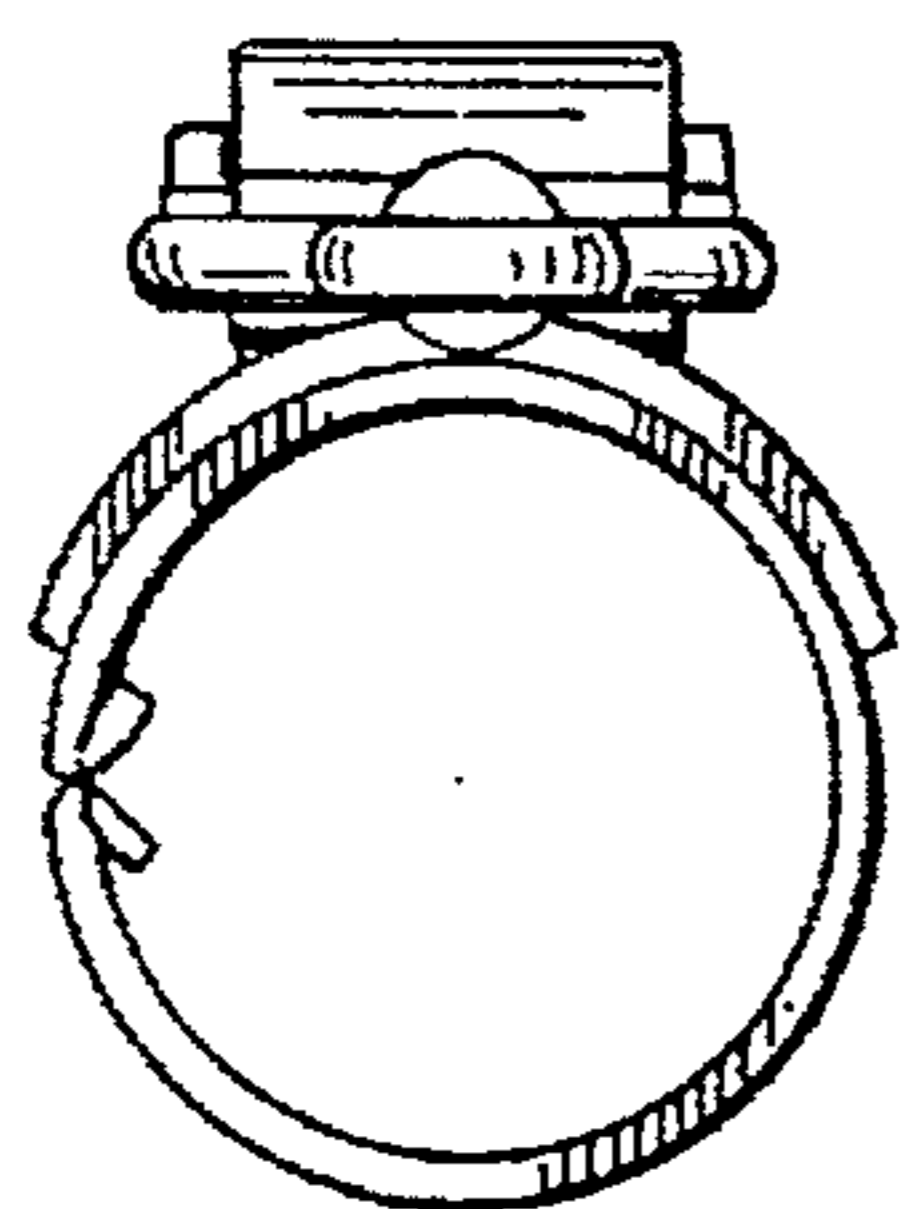


FIG. 6

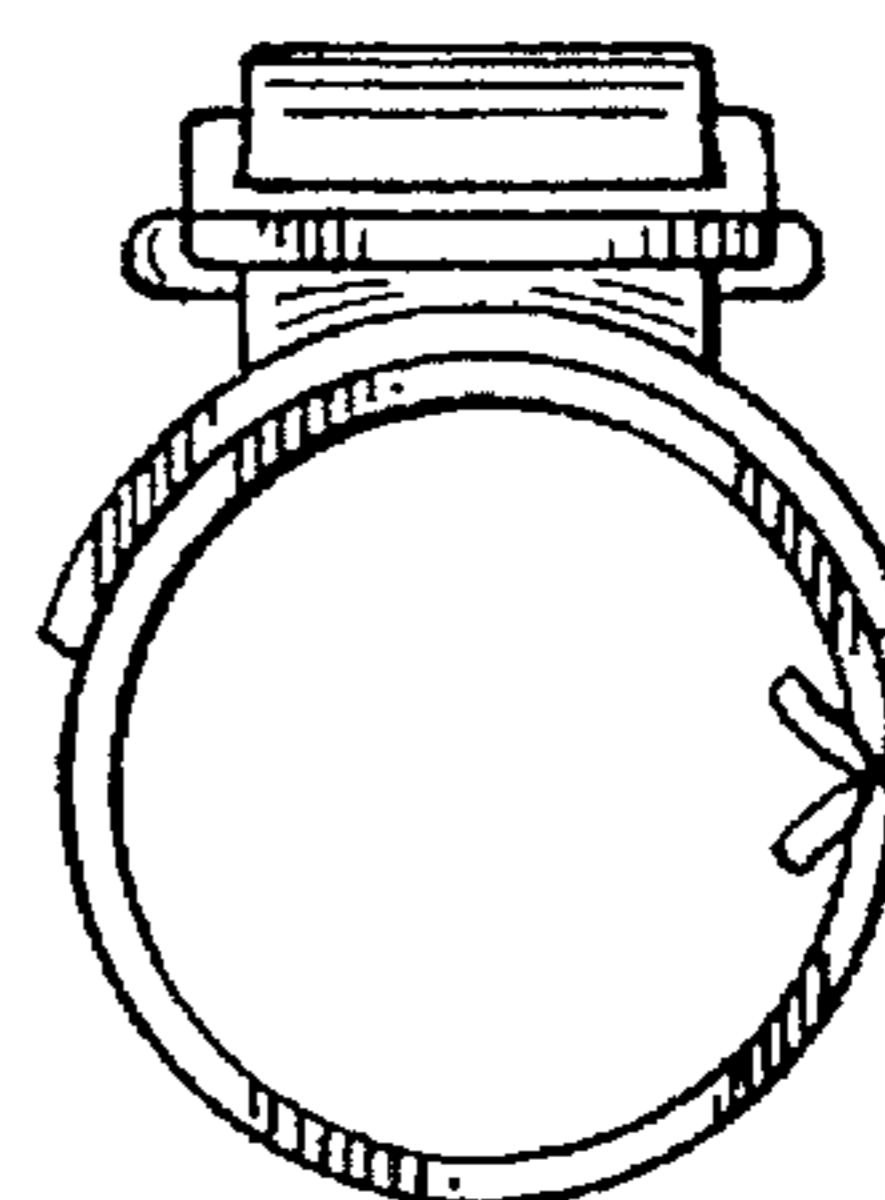


FIG. 7