



US00D381780S

# United States Patent [19]

Summers et al.

[11] Patent Number: **Des. 381,780**

[45] Date of Patent: **\*\*Jul. 29, 1997**

[54] **VACUUM CLEANER BRUSH**

[75] Inventors: **Richard Jay Summers**, Riverside;  
**Meeok Lee Chung**, Buena Park, both  
of Calif.

[73] Assignee: **Interstate Engineering**, Anaheim,  
Calif.

[\*\*] Term: **14 Years**

[21] Appl. No.: **52,344**

[22] Filed: **Mar. 28, 1996**

[51] LOC (6) Cl. .... **15-05**

[52] U.S. Cl. .... **D32/33**

[58] Field of Search ..... D32/21, 23, 32,  
D32/33, 22; 15/320-322, 415.1, 410, 416,  
422, 327.1, 327.2

[56] **References Cited**

**U.S. PATENT DOCUMENTS**

D. 189,394	12/1960	Belicka et al. ....	D32/33
D. 263,052	2/1982	Ueda .....	D32/33
D. 263,236	3/1982	Ueda .....	D32/32
D. 298,876	12/1988	Yamamoto et al. ....	D32/33
D. 314,264	1/1991	Kim .....	D32/33
D. 314,265	1/1991	Hong .....	D32/33
D. 318,542	7/1991	Funatsu et al. ....	D32/32

D. 331,991	12/1992	Wright et al. ....	D32/32
1,015,352	1/1912	Slevin .	
3,381,329	5/1968	Wied .	
3,599,271	8/1971	Ljung et al. .	
3,798,704	3/1974	Kilstrom et al. .	
4,027,355	6/1977	Mead et al. .	
5,105,502	4/1992	Takashima .	
5,134,749	8/1992	Sakurai .	

*Primary Examiner*—Ruth McInroy  
*Attorney, Agent, or Firm*—Knobbe, Martens, Olson & Bear,  
LLP

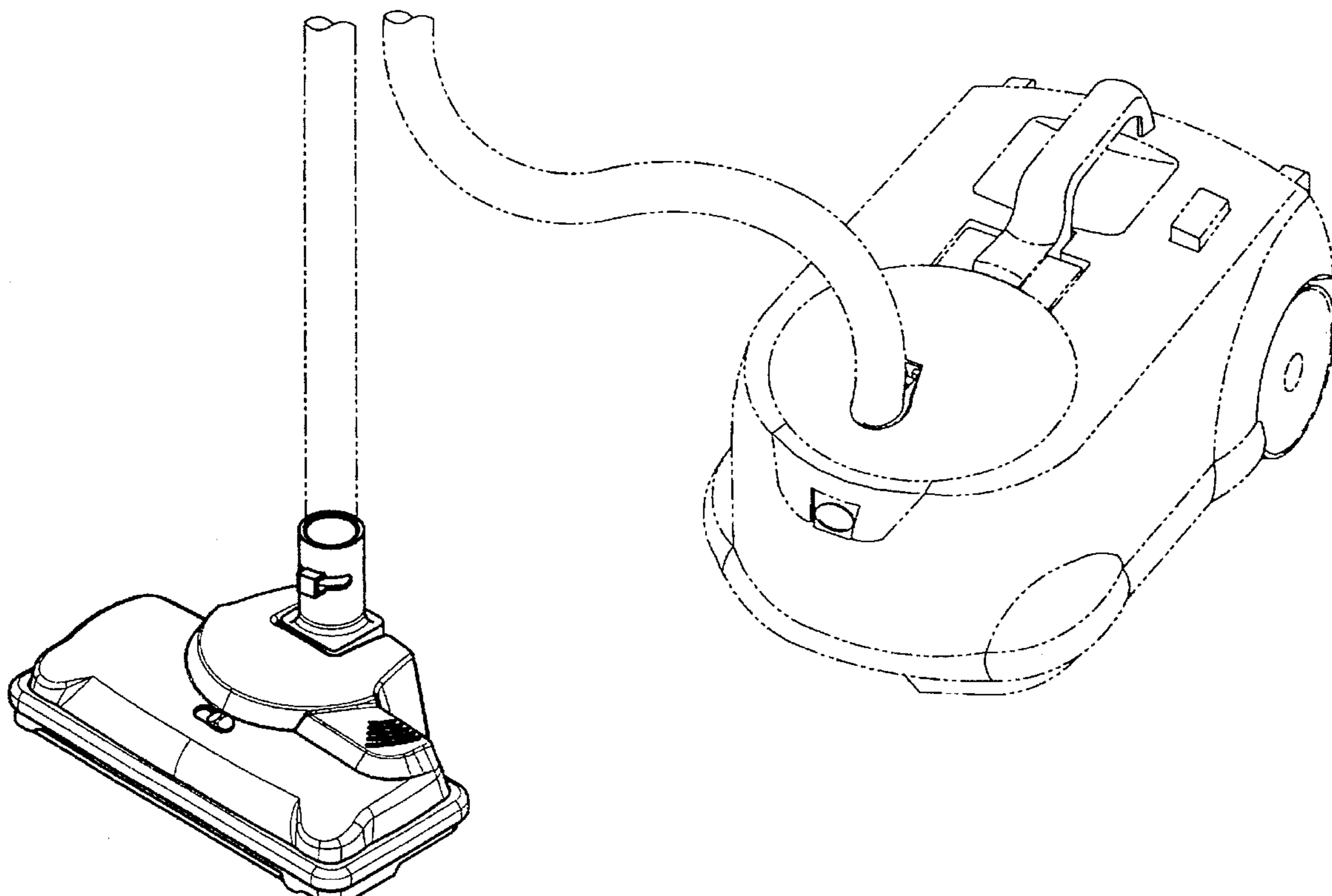
[57] **CLAIM**

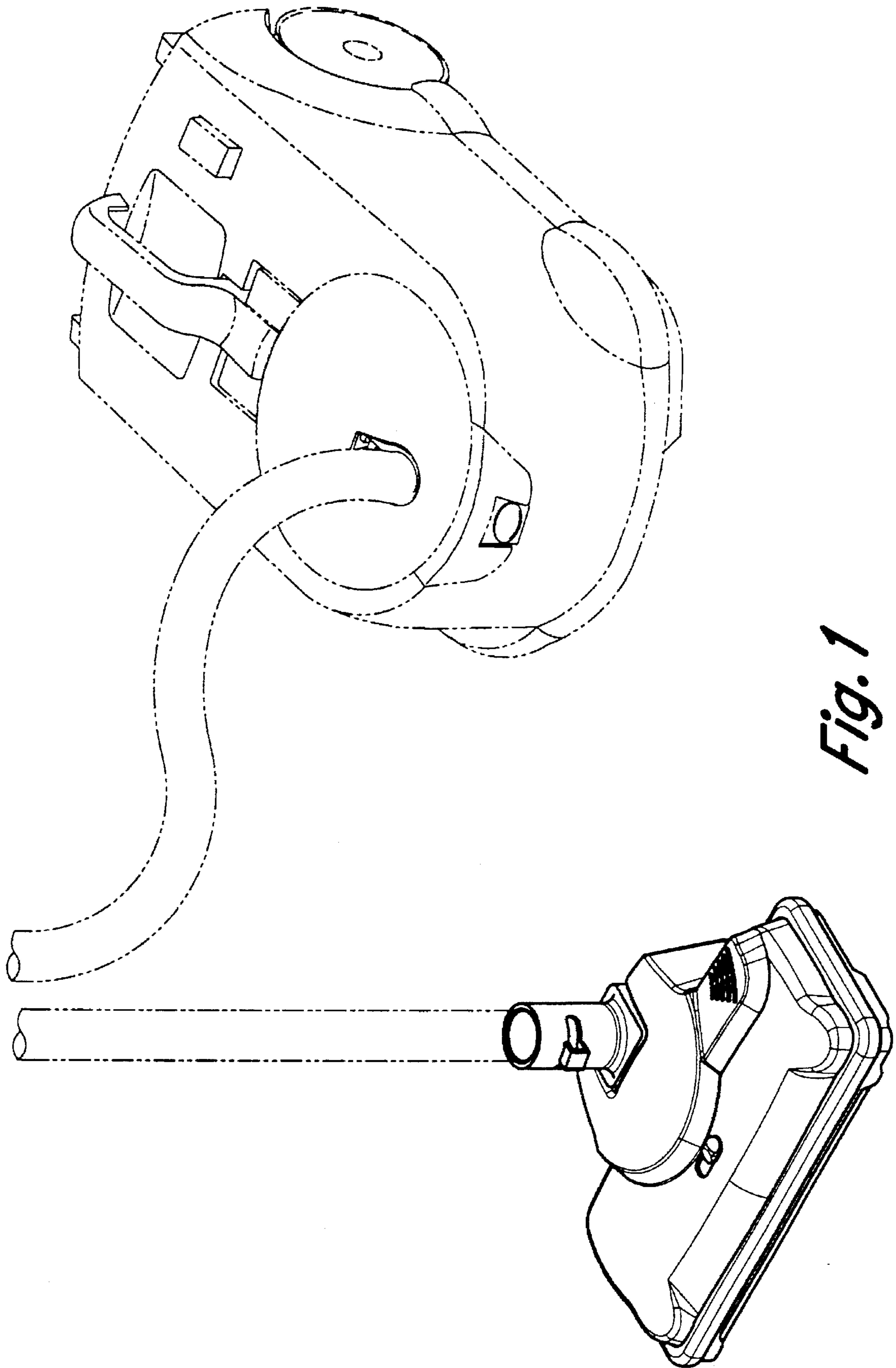
The ornamental design for a vacuum cleaner brush, as shown and described.

**DESCRIPTION**

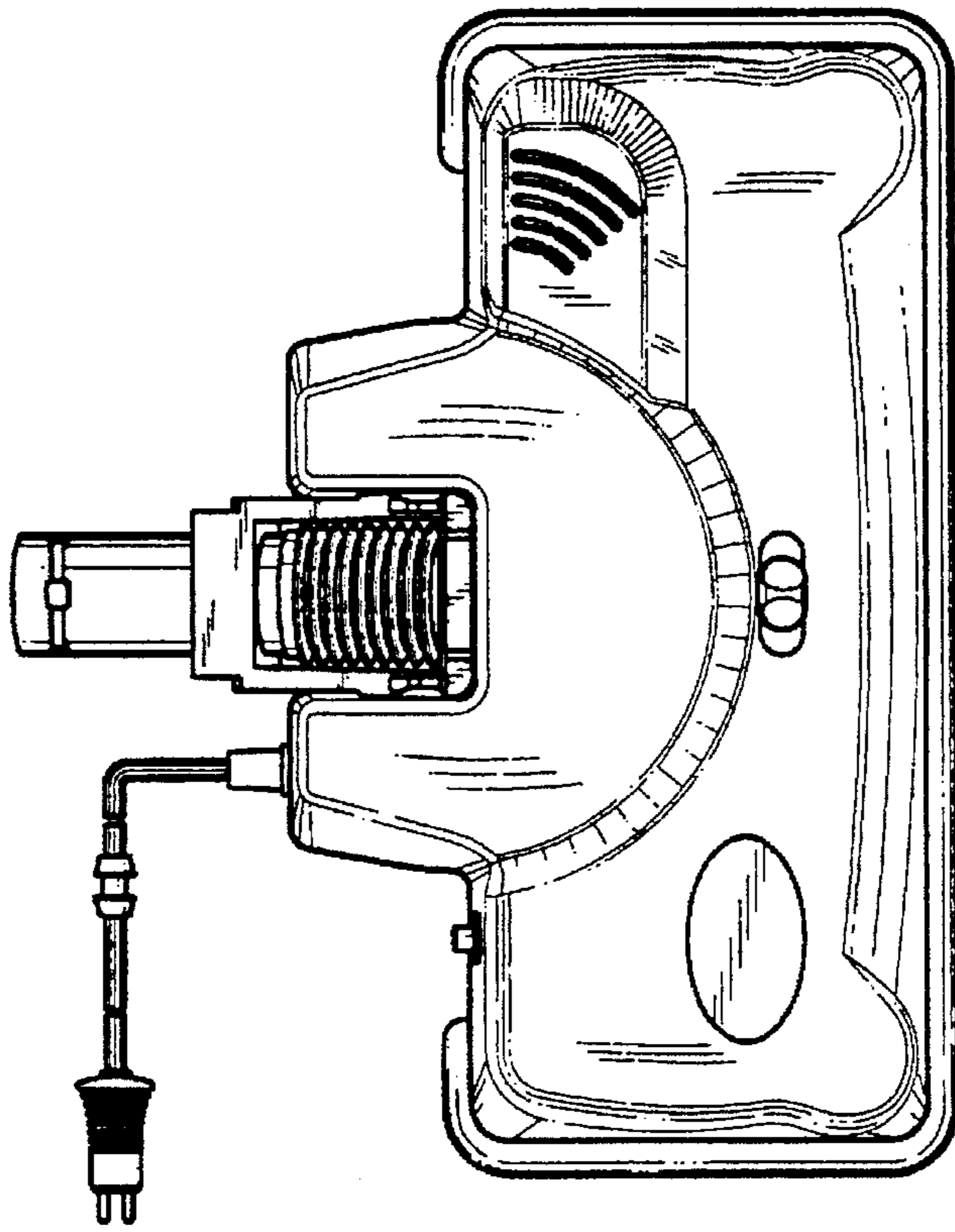
FIG. 1 is a perspective view of a vacuum cleaner brush showing our new design, the canister-style vacuum cleaner shown in broken lines is for illustrative purposes only and forms no part of the claimed design; FIG. 2 is a bottom plan view thereof; FIG. 3 is a top plan view thereof; FIG. 4 is a rear elevational view thereof; FIG. 5 is a front elevational view thereof; FIG. 6 is a left side elevational view thereof; and, FIG. 7 is a right side elevational view thereof.

**1 Claim, 3 Drawing Sheets**

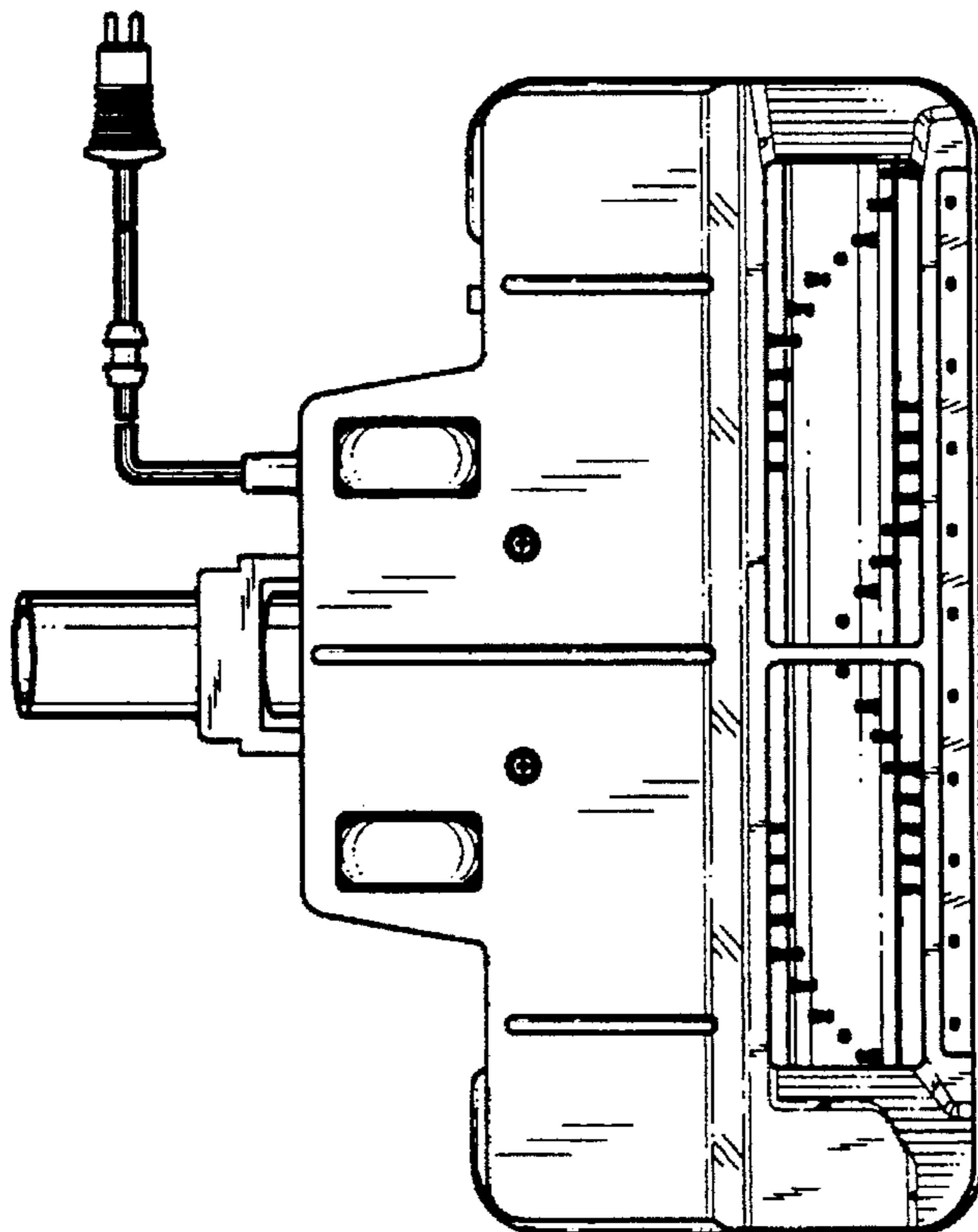




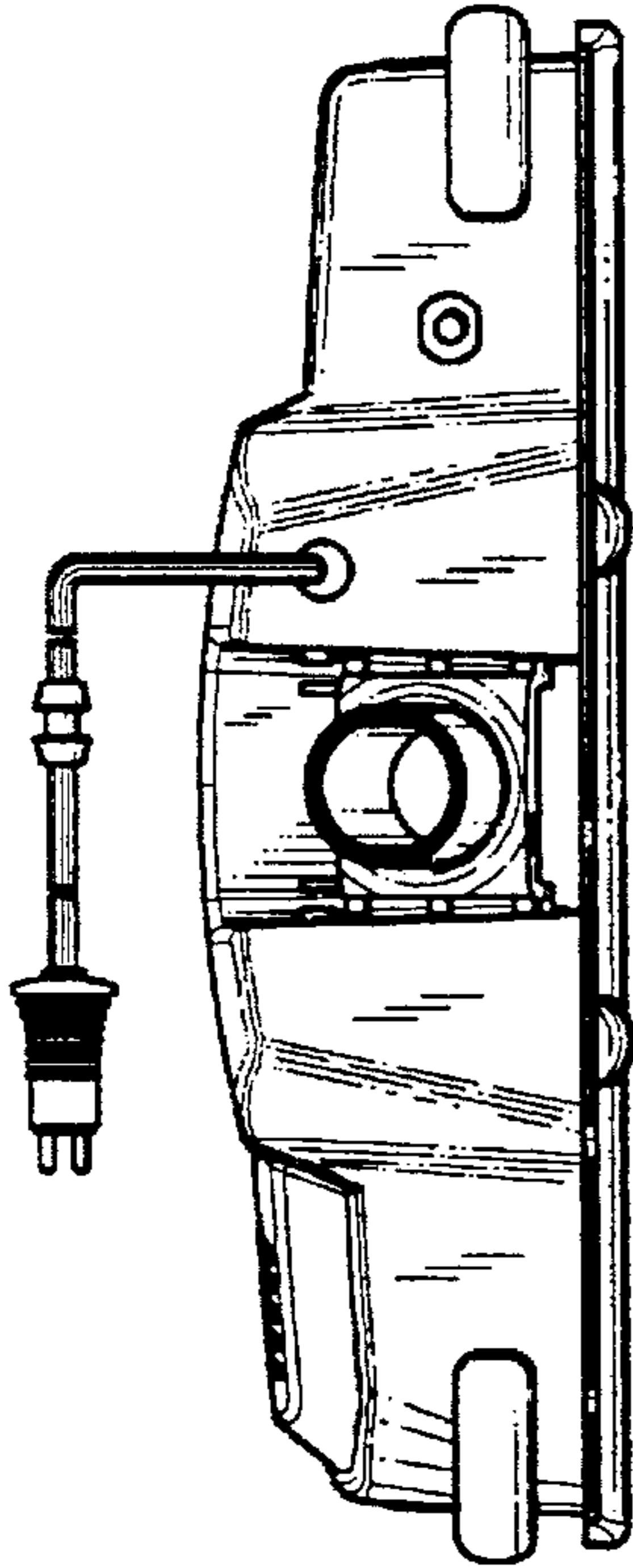
*Fig. 1*



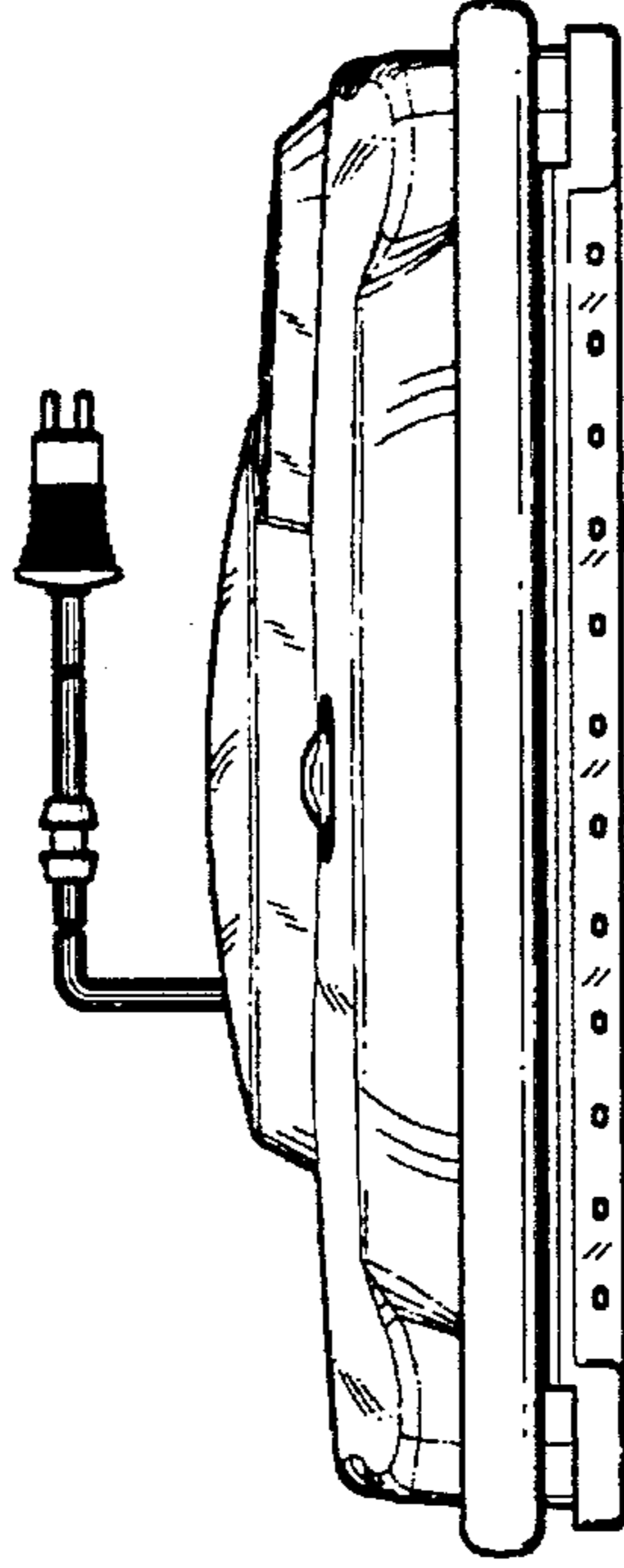
*Fig. 3*



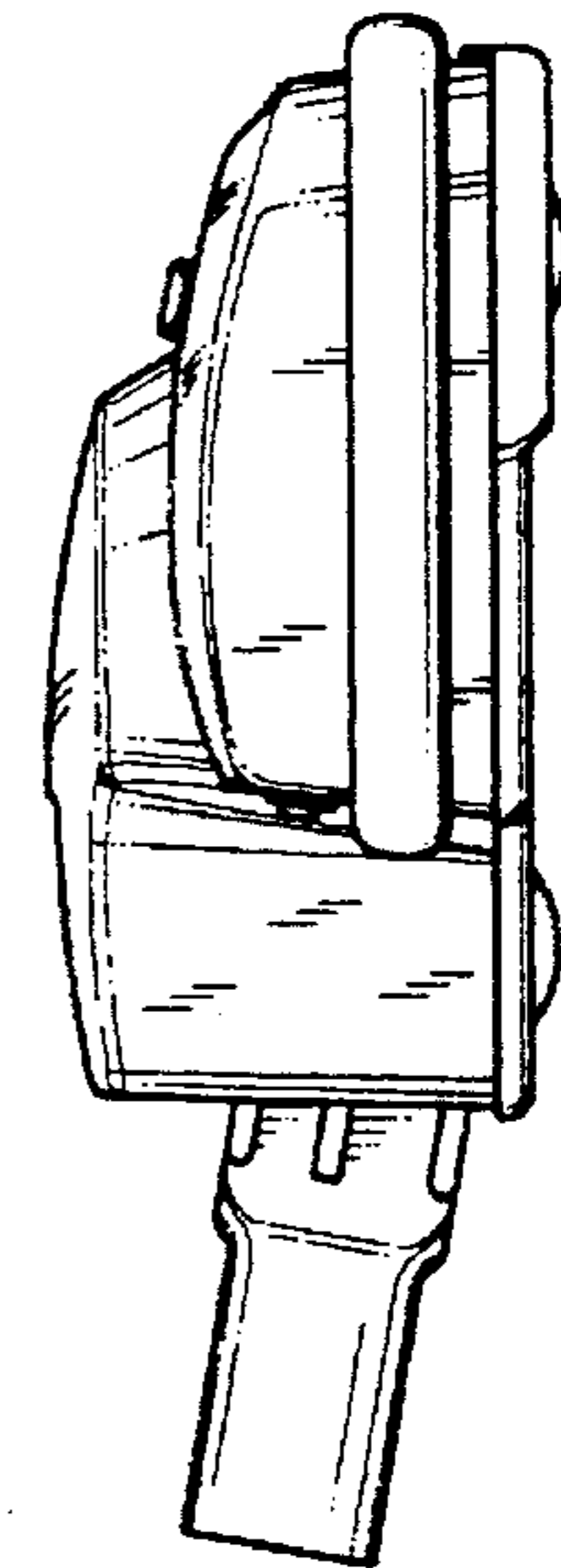
*Fig. 2*



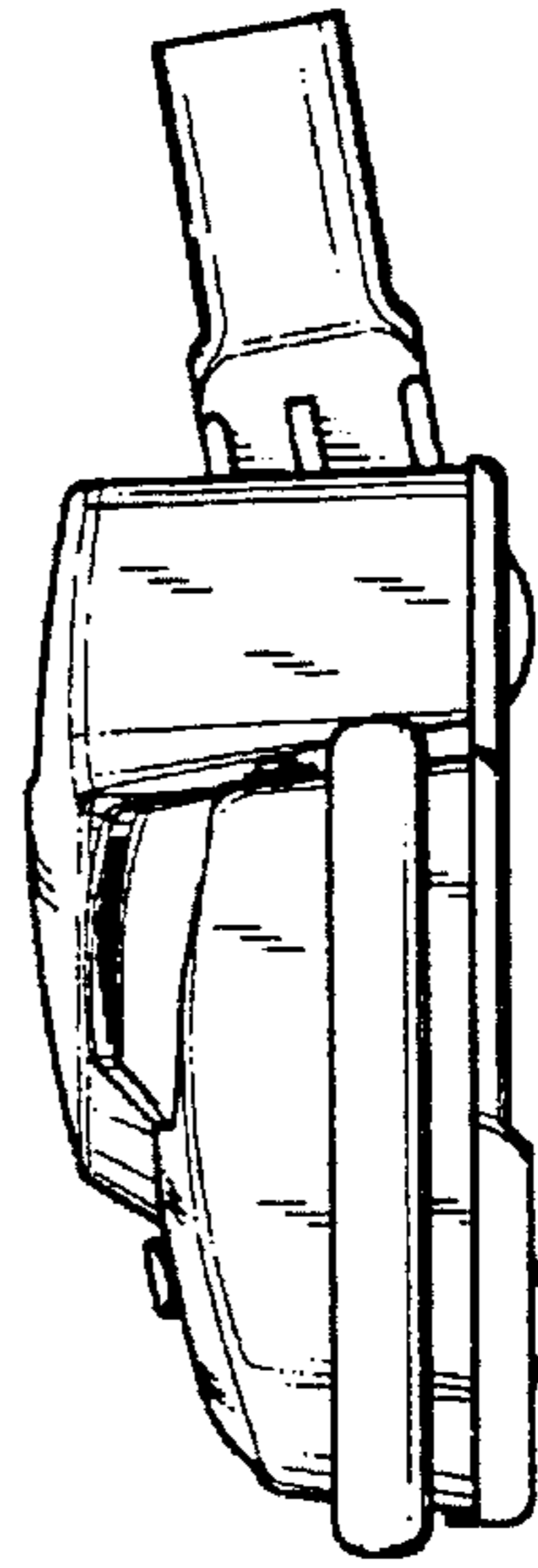
*Fig. 4*



*Fig. 5*



*Fig. 6*



*Fig. 7*