



US00D381779S

United States Patent [19]

Pritchett et al.

[11] Patent Number: Des. 381,779

[45] Date of Patent: **Jul. 29, 1997

[54] COMBINED WET AND DRY VACUUM CLEANER

[75] Inventors: James A. Pritchett, Summers; James D. Hanson, Siloam Springs, both of Ark.

[73] Assignee: Clarke Industries, Inc., Bowling Green, Ohio

[**] Term: 14 Years

[21] Appl. No.: 25,230

[22] Filed: Aug. 3, 1994

[51] LOC (6) Cl. 15-05

[52] U.S. Cl. D32/21

[58] Field of Search D32/21, 22, 23; 15/320-321, 353, 340.2, 327.1-327.2, 327.5-327.7

[56] References Cited

U.S. PATENT DOCUMENTS

D. 316,765	5/1991	Wulff	D32/21
D. 318,543	7/1991	Shero	D32/21
D. 332,330	1/1993	Gurstein	D32/21
D. 337,184	7/1993	Bothun et al.	D32/21
D. 337,185	7/1993	Wulff	D32/21
D. 338,292	8/1993	Schmitz et al.	D32/21
D. 344,374	2/1994	Wulff	D32/21
D. 345,034	3/1994	Fitzwater	D32/21
D. 346,679	5/1994	Bradd et al.	D32/21

OTHER PUBLICATIONS

Instruction Manual and Parts Breakdown; Nobles, dated Apr., 1992.

Hako Minuteman X839 Series Asbestos Vacuum System, dated Sep., 1987.

Super Filter Vacuum; HILD, dated May, 1989.

Windsor A Better Way of Looking At Floor Maintenance, date unknown, admitted prior art.

The National Super Service Company (NSS) Quality Floor Equipment; dated 1991.

Advance Commercial Cleaning Equipment; dated 1992.

NSS Colt Hepa Series; dated 1994.

Goodway The VAC-2 Multi-Purpose Vacuum; published before May, 1994.

Advance Metrik Canister Vacuum; dated 1992.

The Anatomy of a Typhoon; Nobles; dated 1992.

Life-Line Wet/Dry Vacs; Tennant Trend, dated Mar., 1992.

Typhoon, Nobles, date unknown, admitted prior art.

Gewerbesauger; Starmix; dated May 1991.

Wap; date unknown, admitted prior art.

Wap; Leverancierskrant dated 1994.

TMS-40 and TMS-50 Tailor-Mate; Clarke; dated Apr. 1984.

Clark; Family of . . . Wet/Dry Tank Vacuums; dated Apr. 1994.

Primary Examiner—Ruth McInroy

Attorney, Agent, or Firm—Senniger, Powers, Leavitt & Roedel

[57] CLAIM

The ornamental design of a combined wet and dry vacuum cleaner, as shown and described.

DESCRIPTION

FIG. 1 is a perspective view of a combined wet and dry vacuum cleaner showing my new design;

FIG. 2 is a front elevational view thereof;

FIG. 3 is a rear elevational view thereof;

FIG. 4 is a right side elevational view thereof;

FIG. 5 is a left side elevational view thereof;

FIG. 6 is a top plan view thereof; and,

FIG. 7 is a bottom plan view thereof.

1 Claim, 3 Drawing Sheets

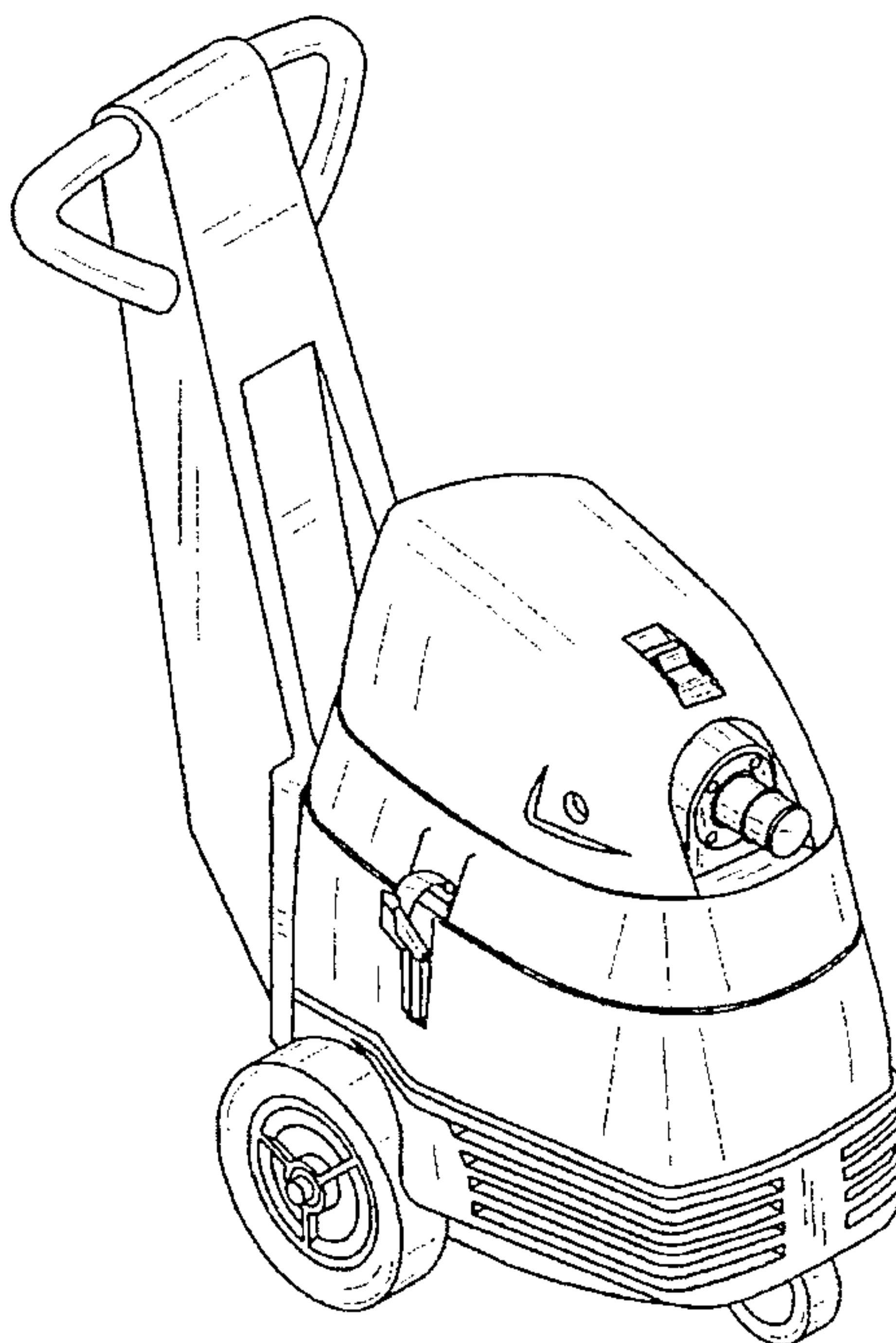


FIG. 1

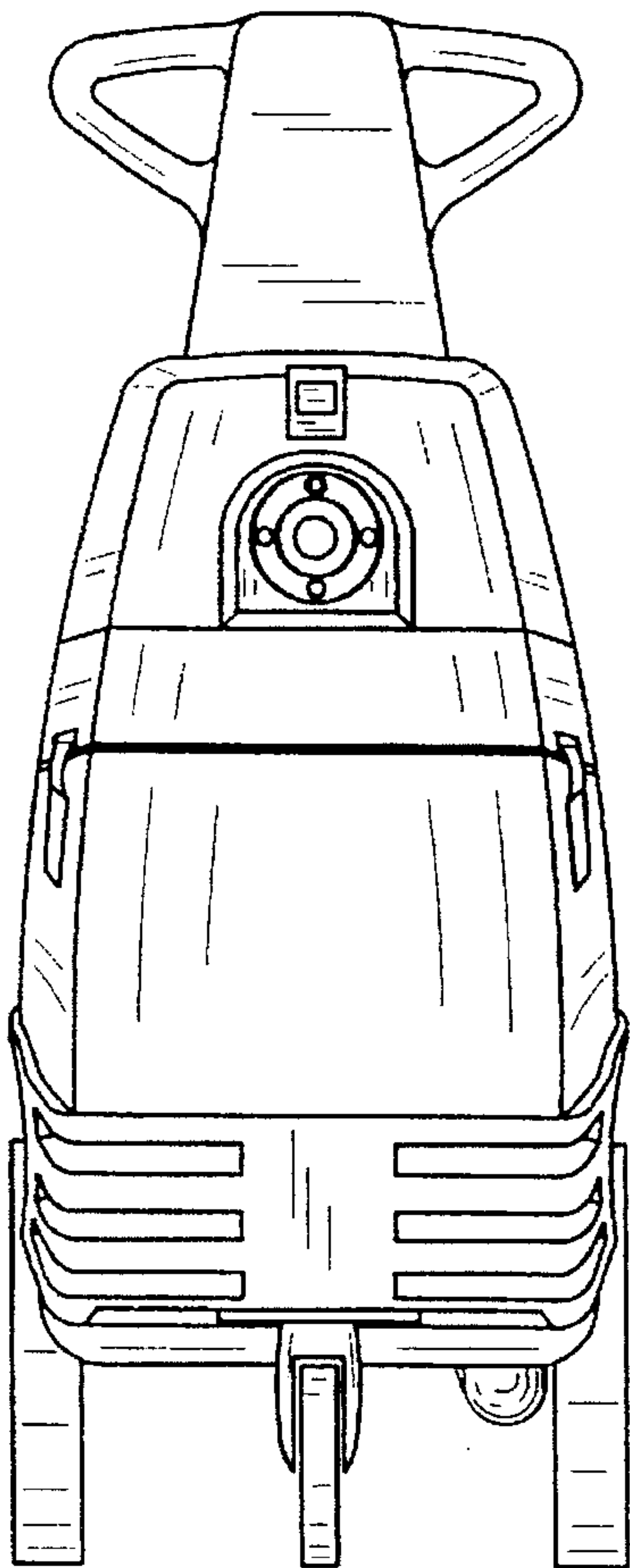
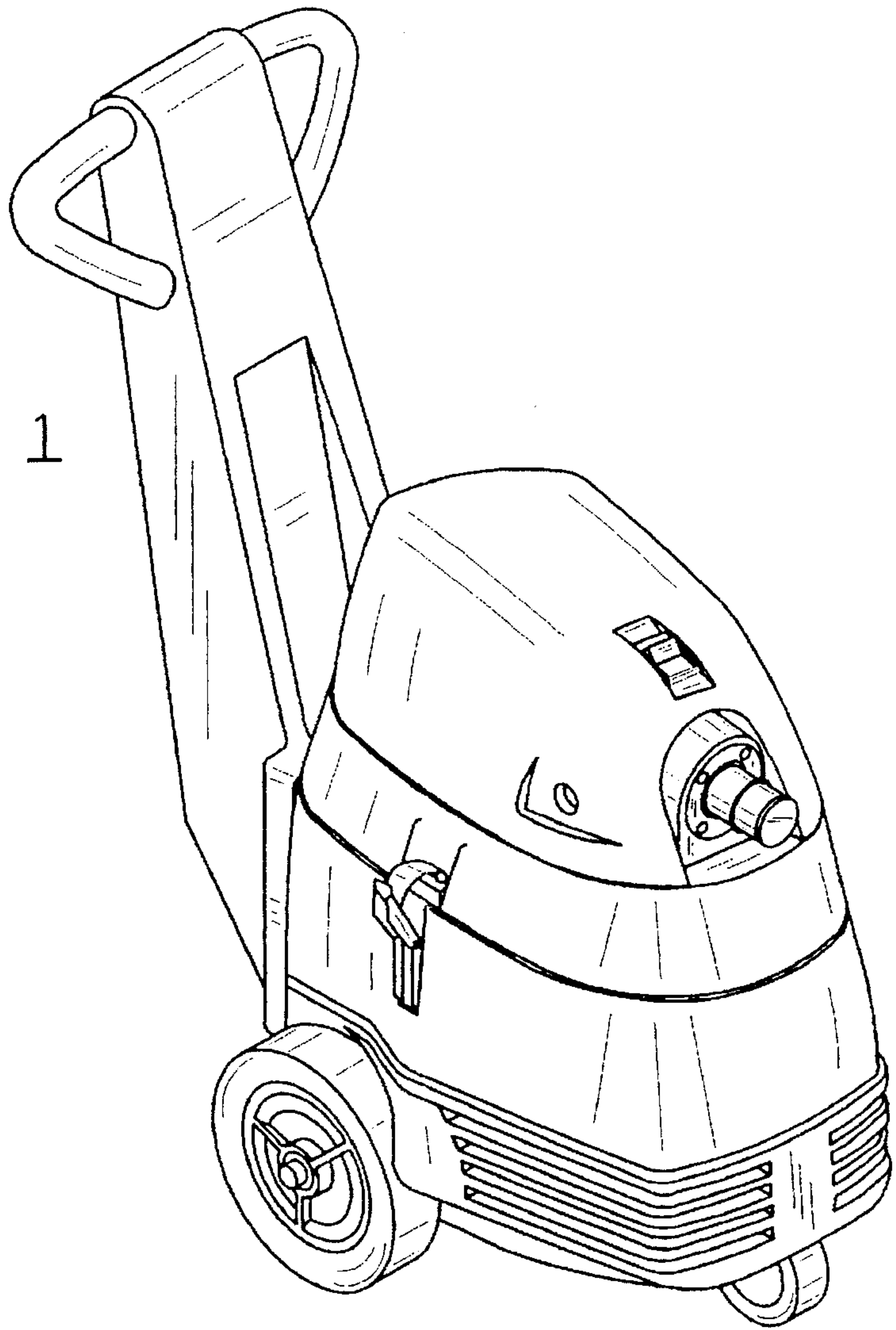


FIG. 2

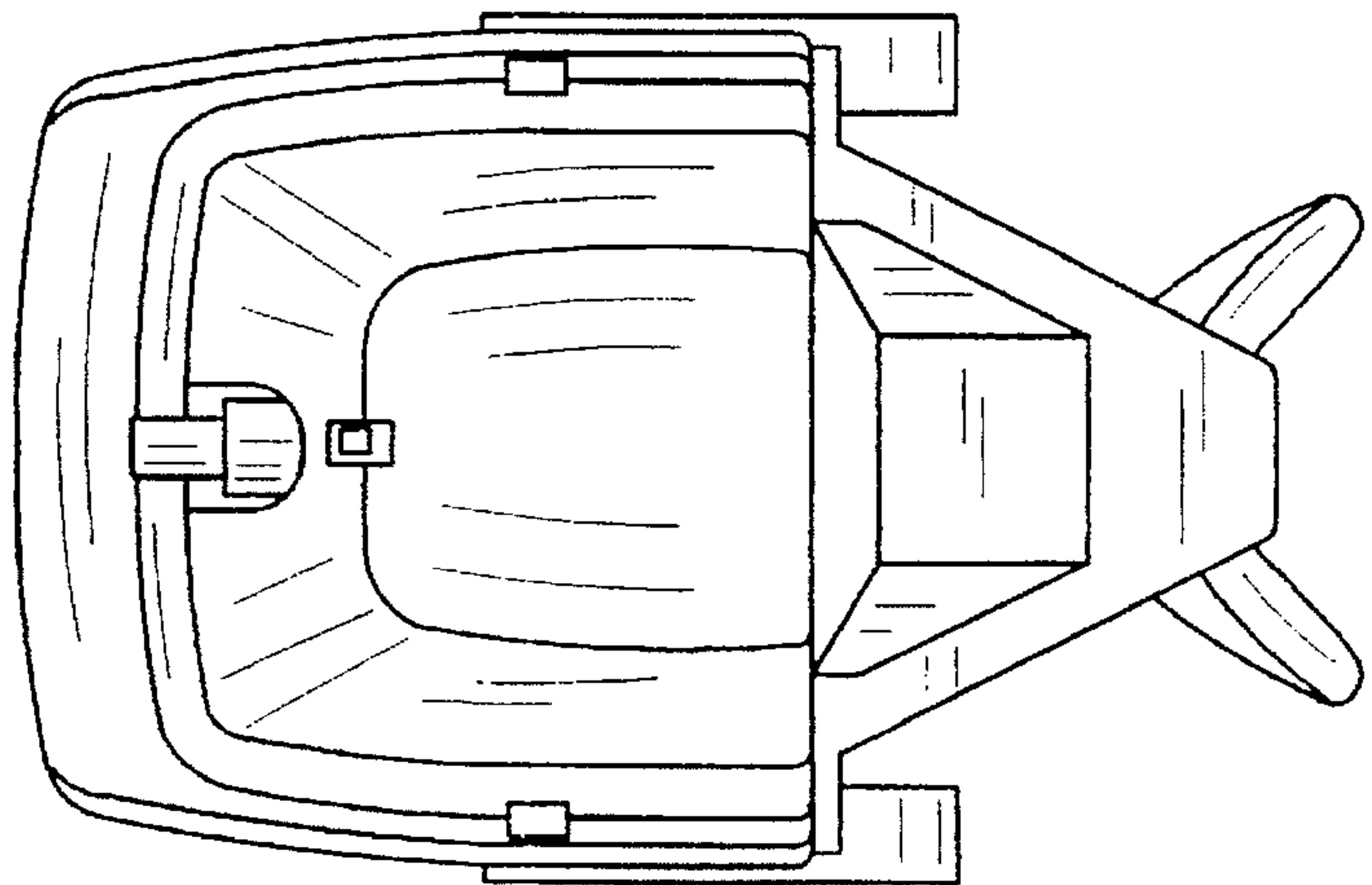


FIG. 6

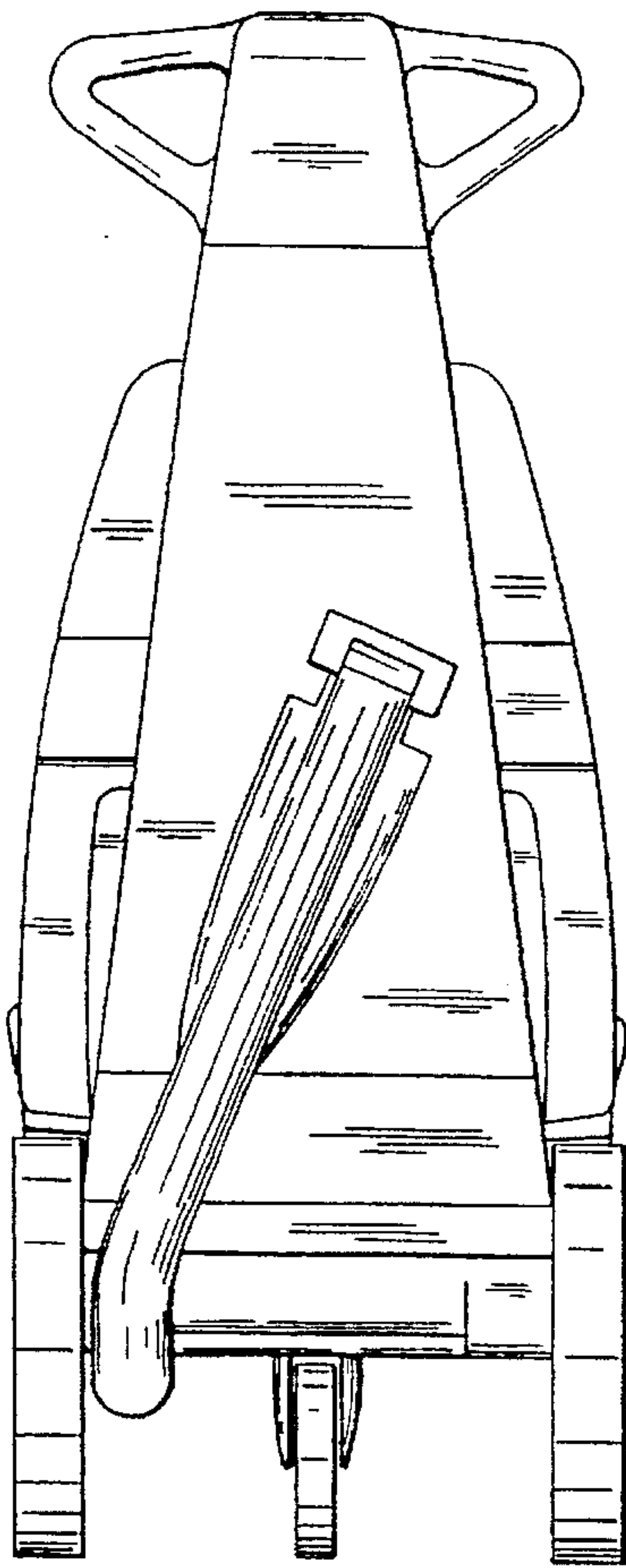


FIG. 3

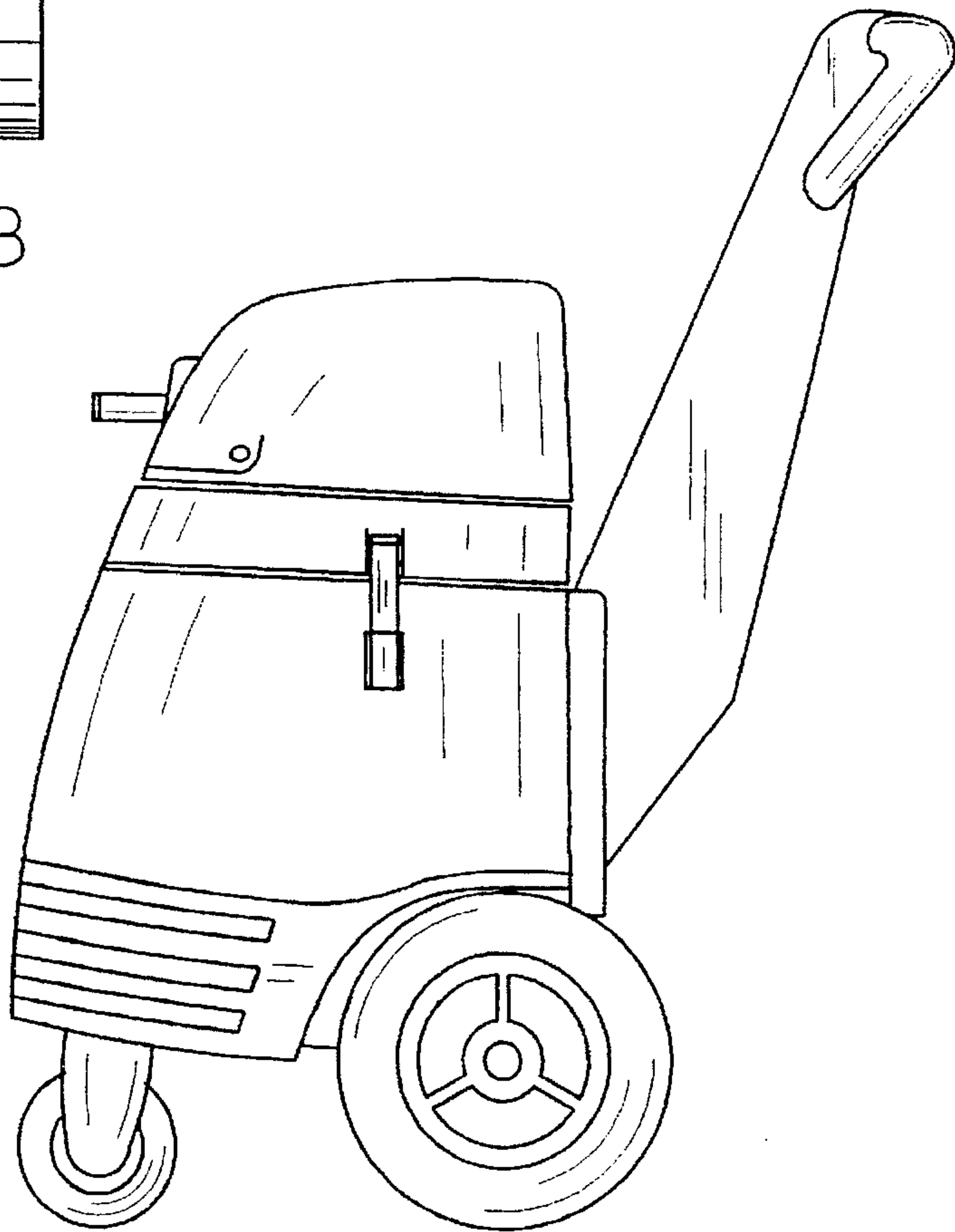


FIG. 4

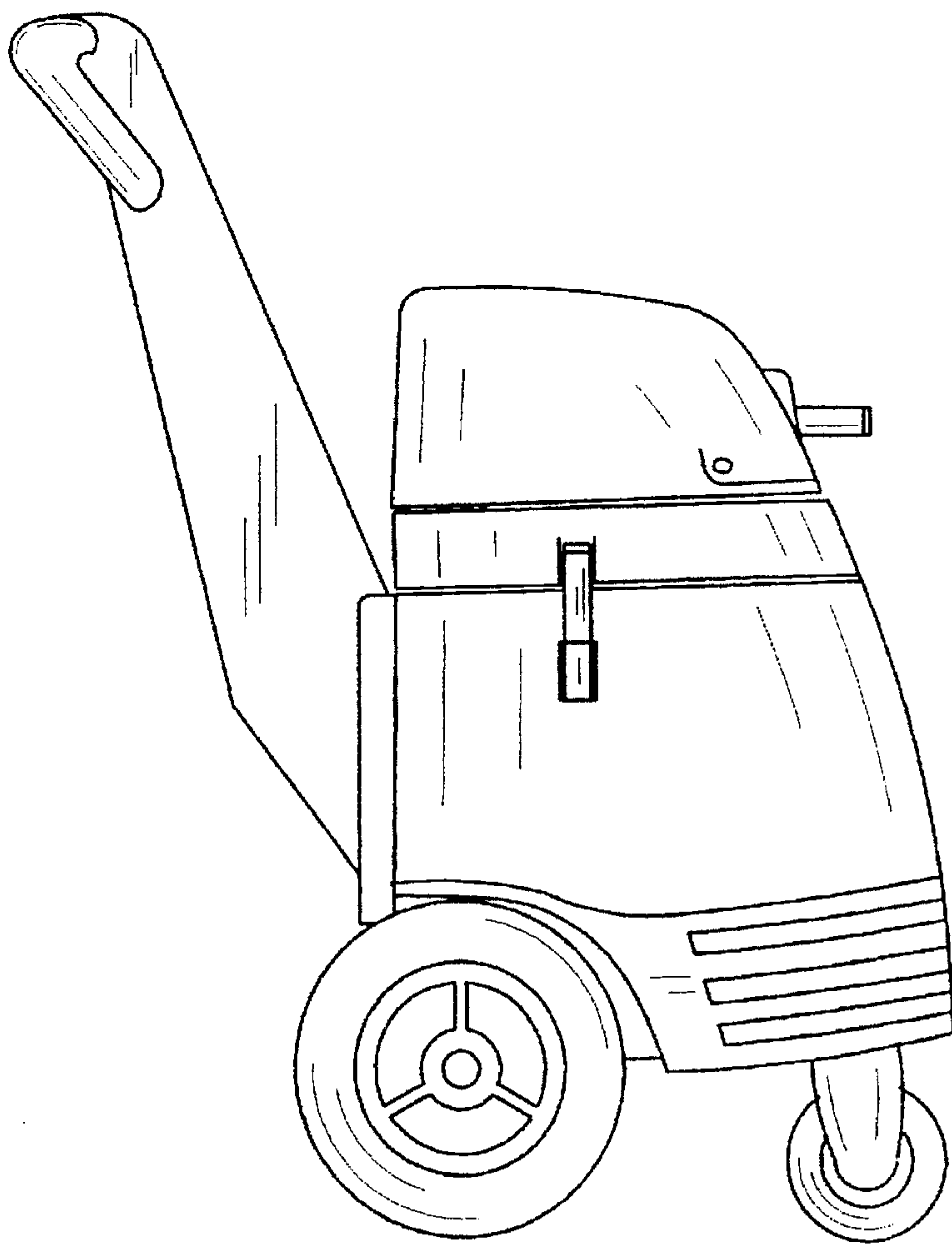


FIG. 5

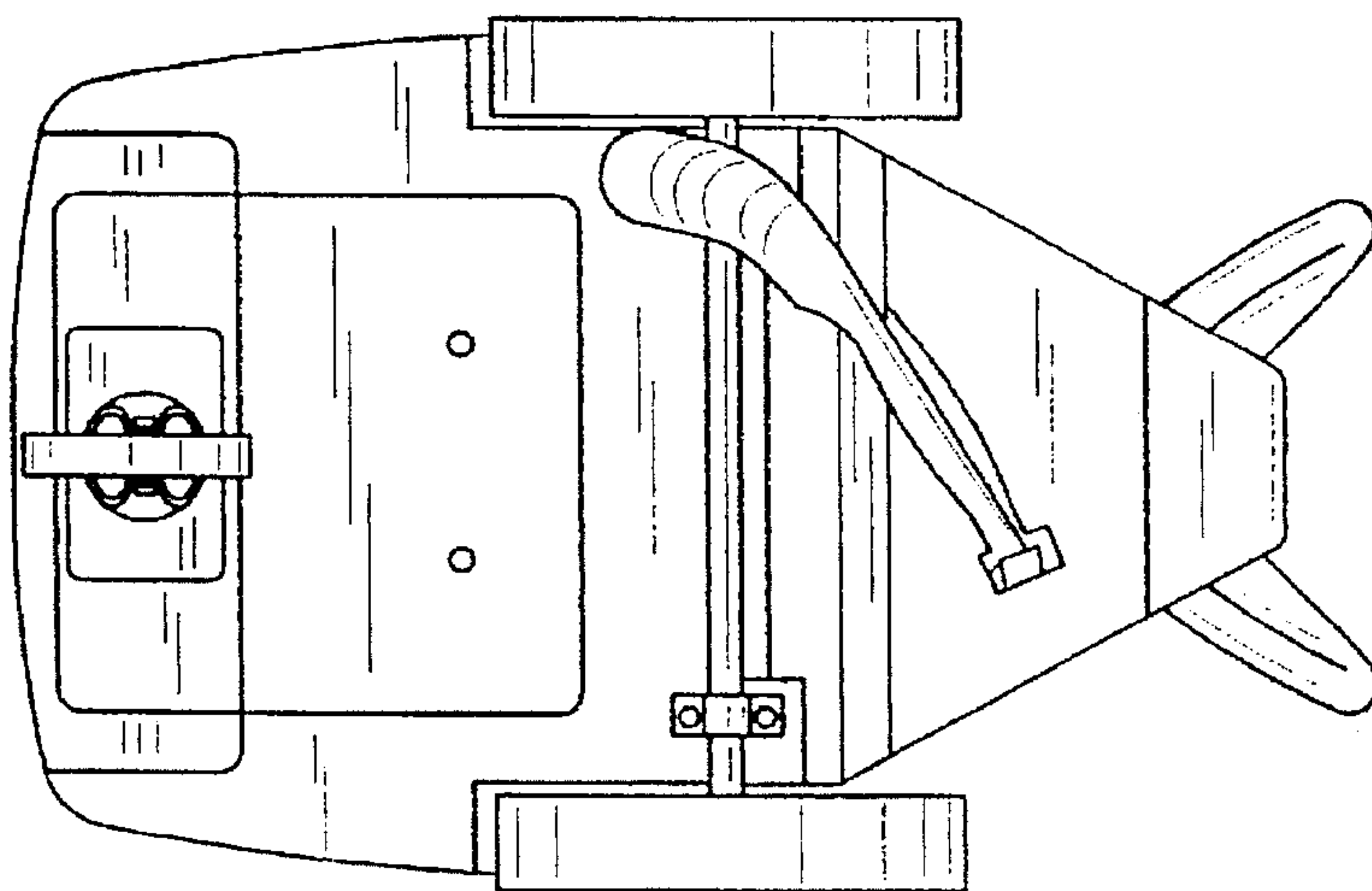


FIG. 7