



US00D381778S

# United States Patent [19]

[11] Patent Number: **Des. 381,778**

Semo

[45] Date of Patent: **\*\*Jul. 29, 1997**

[54] **COMBINED ADJUSTABLE SCOOP AND RAKE/SCRAPER FOR ANIMAL FECES REMOVAL**

7713350	9/1979	Netherlands .....	294/1.5
2078096	1/1982	United Kingdom .....	294/1.4
2236237	4/1991	United Kingdom .....	294/55

[76] Inventor: **Scott R. Semo**, 2719 Virginia Ave., Roseville, Minn. 55113

*Primary Examiner*—Cathy Anne MacCormac  
*Attorney, Agent, or Firm*—Anthony G. Eggink

[\*\*] Term: **14 Years**

[57] **CLAIM**

[21] Appl. No.: **40,619**

The ornamental design for an combined adjustable scoop and rake/scraper for animal feces removal, as shown and described.

[22] Filed: **Jun. 22, 1995**

**DESCRIPTION**

[51] LOC (6) Cl. .... **30-99**

[52] U.S. Cl. .... **D30/162; 294/1.4**

[58] Field of Search ..... 294/1.3, 1.4, 1.5, 294/52, 55; D30/162; 290/417-419

FIG. 1 is a side elevational view of a combined adjustable scoop and rake/scraper for animal feces removal showing my new design;

FIG. 2 is an end elevational view thereof;

FIG. 3 is the opposite end thereof;

FIG. 4 is a top plan view thereof;

FIG. 5 is a bottom plan view thereof;

FIG. 6 is a side elevational view of a second embodiment of FIG. 1;

FIG. 7 is an elevational view of FIG. 6;

FIG. 8 is the opposite end of FIG. 7;

FIG. 9 is a top plan view of FIG. 6;

FIG. 10 is a bottom plan view of FIG. 6;

FIG. 11 is a side elevational view of a third embodiment of FIG. 1;

FIG. 12 is an end view of FIG. 11;

FIG. 13 is an opposite end of FIG. 12;

FIG. 14 is a top plan view of FIG. 11; and,

FIG. 15 is a bottom plan view of FIG. 11.

[56] **References Cited**

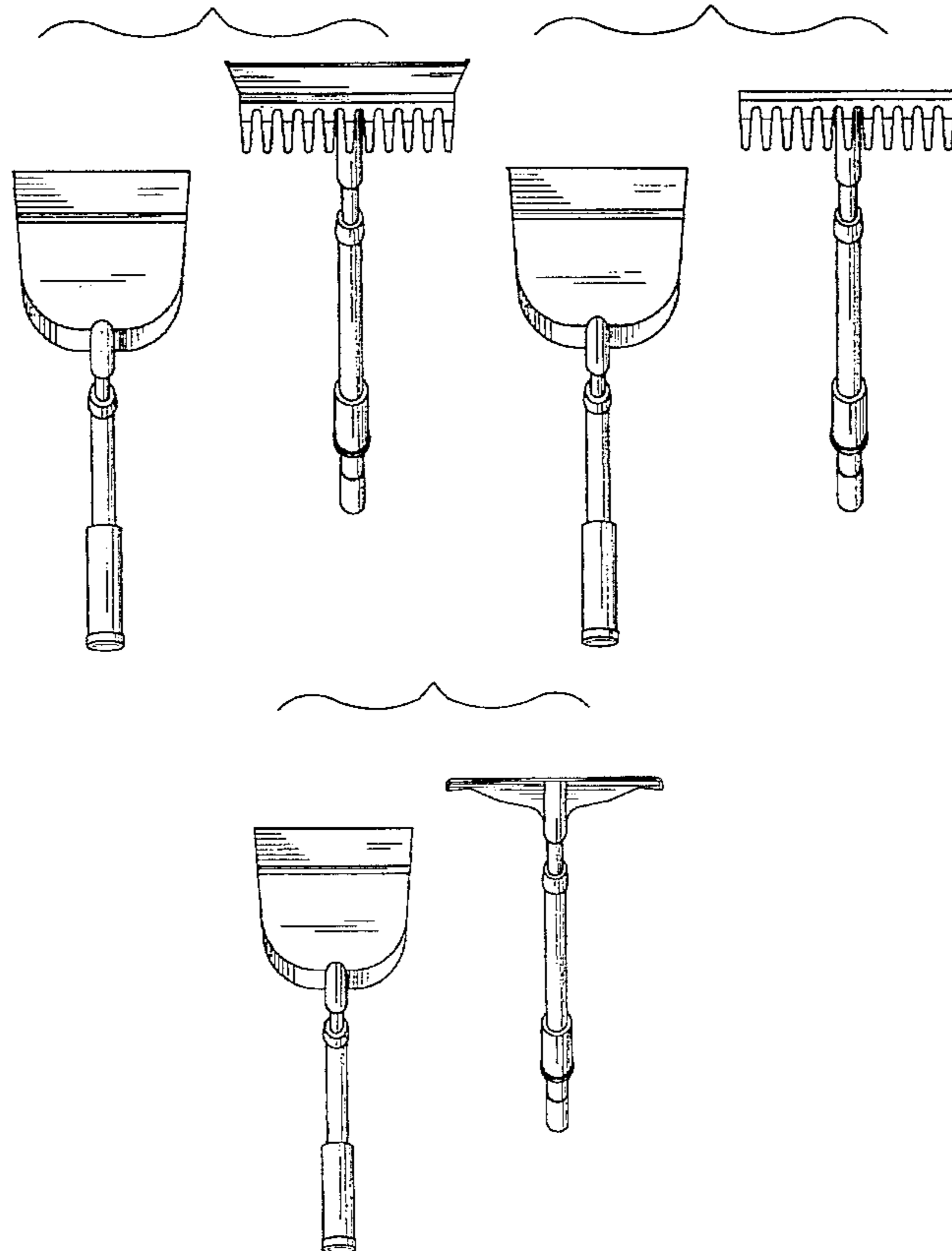
**U.S. PATENT DOCUMENTS**

D. 209,660	12/1967	Lind .....	294/1.4
1,076,048	10/1913	McIntosh .....	294/52
1,650,428	11/1927	Chinneck .....	294/52
2,549,491	4/1951	Larson .....	294/55
3,688,483	9/1972	Hamilton .....	294/1.4
4,165,895	8/1979	Bacaka .....	294/1.4
4,222,597	9/1980	Willis .....	294/55
4,565,398	1/1986	Poulin .....	294/52
4,767,141	8/1988	Martin .....	294/55
4,791,780	12/1988	Phillips .....	294/52
5,456,509	10/1995	Martin et al. ....	294/55

**FOREIGN PATENT DOCUMENTS**

5-304850	11/1993	Japan .....	294/1.5
----------	---------	-------------	---------

**1 Claim, 12 Drawing Sheets**



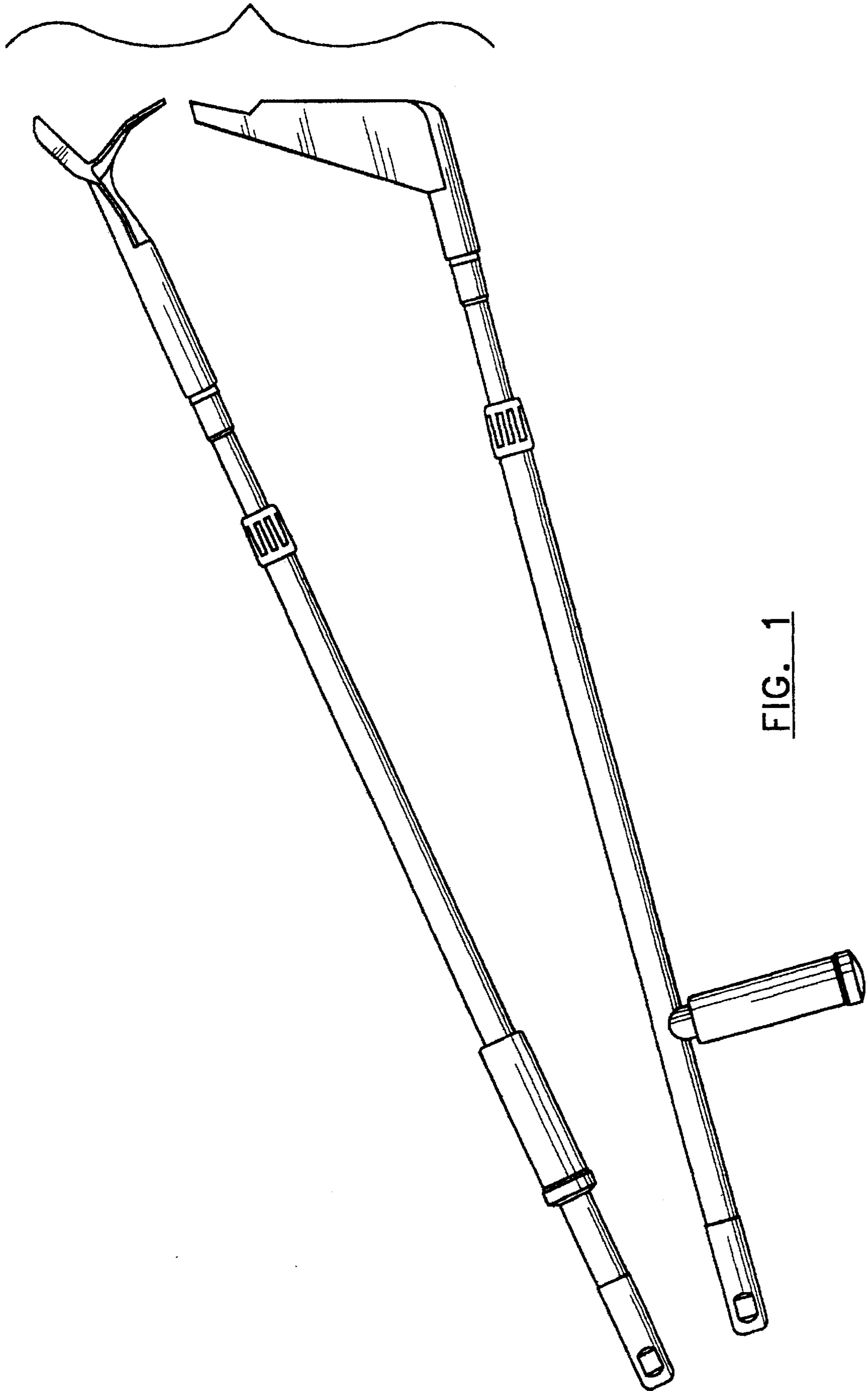


FIG. 1

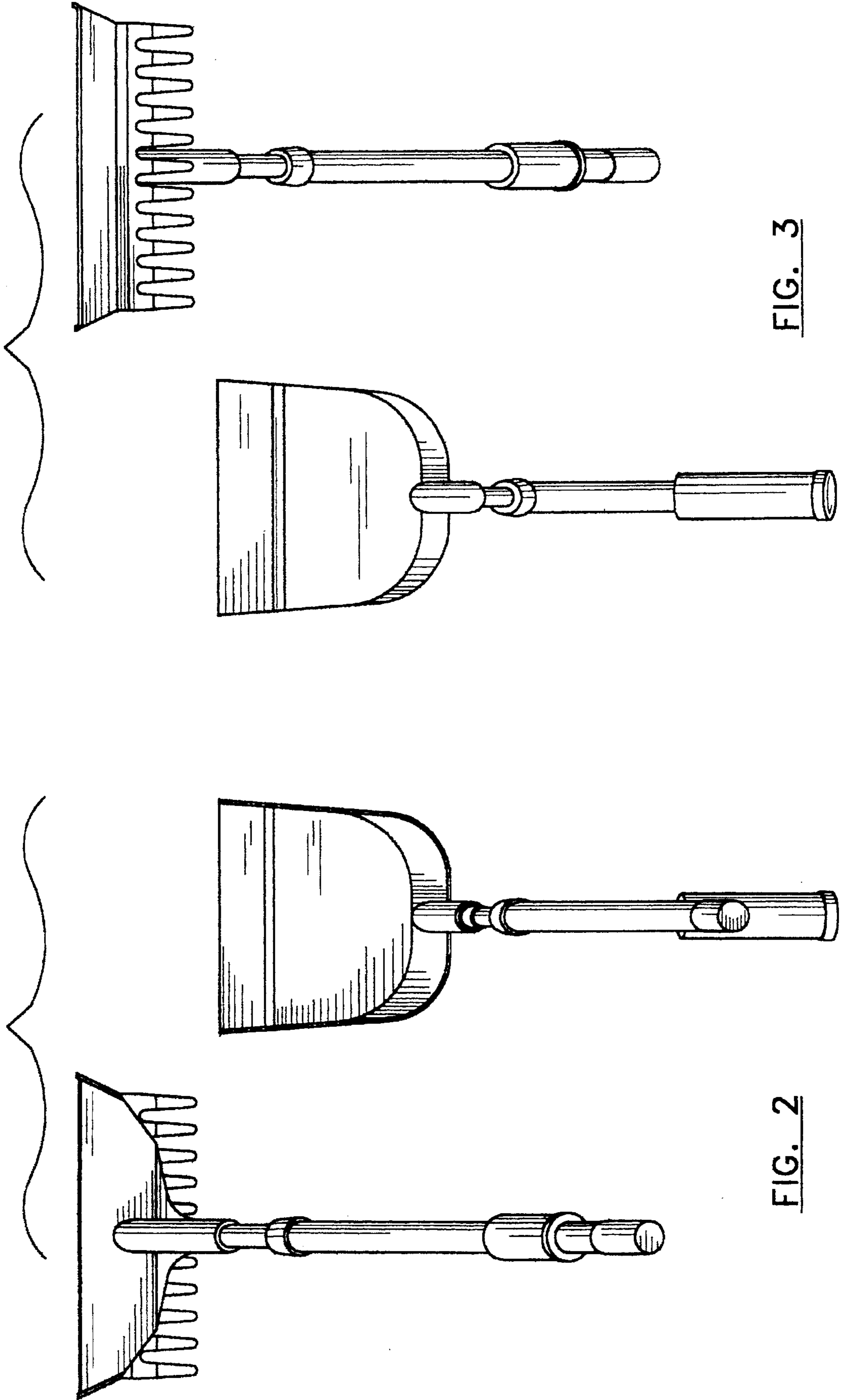


FIG. 3

FIG. 2

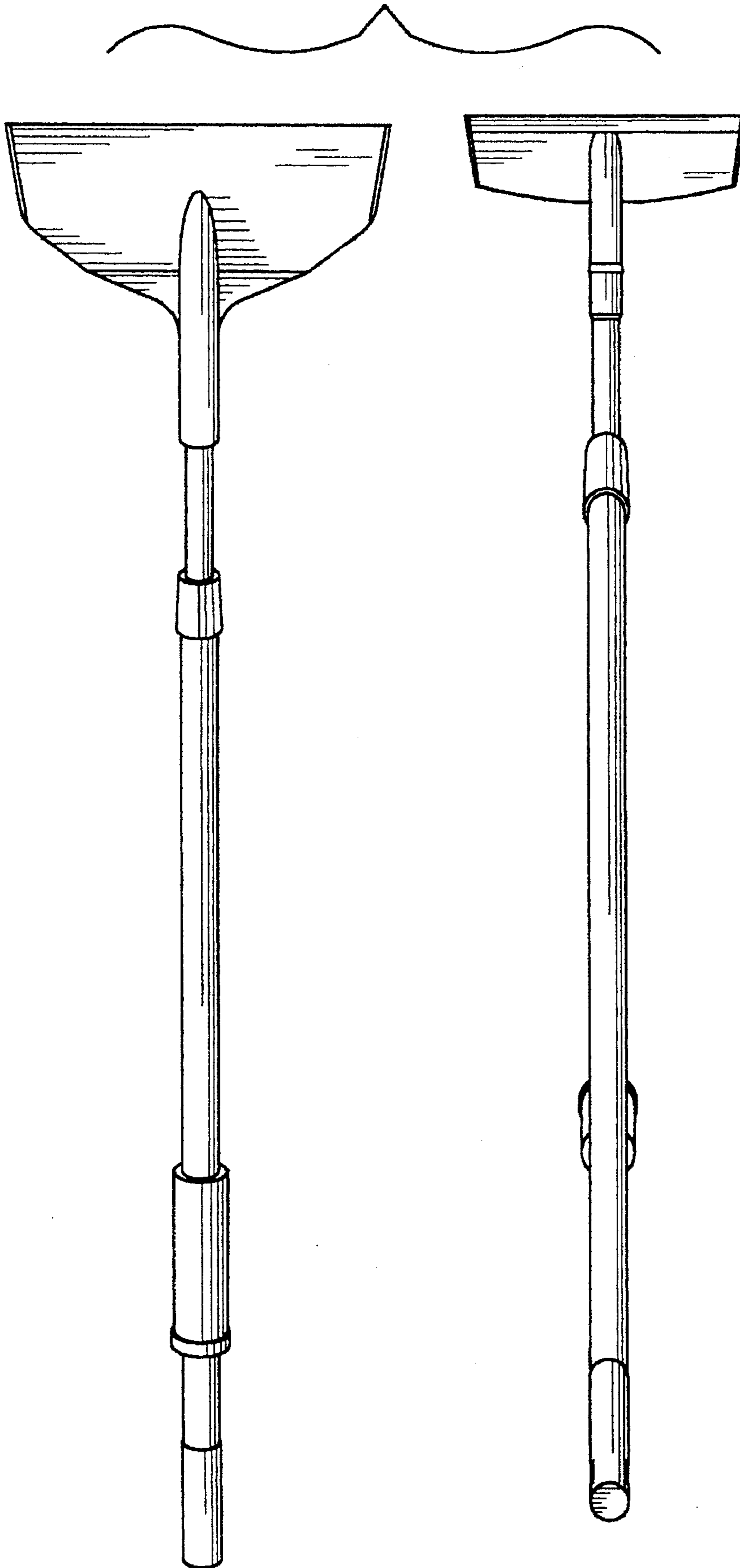


FIG. 4

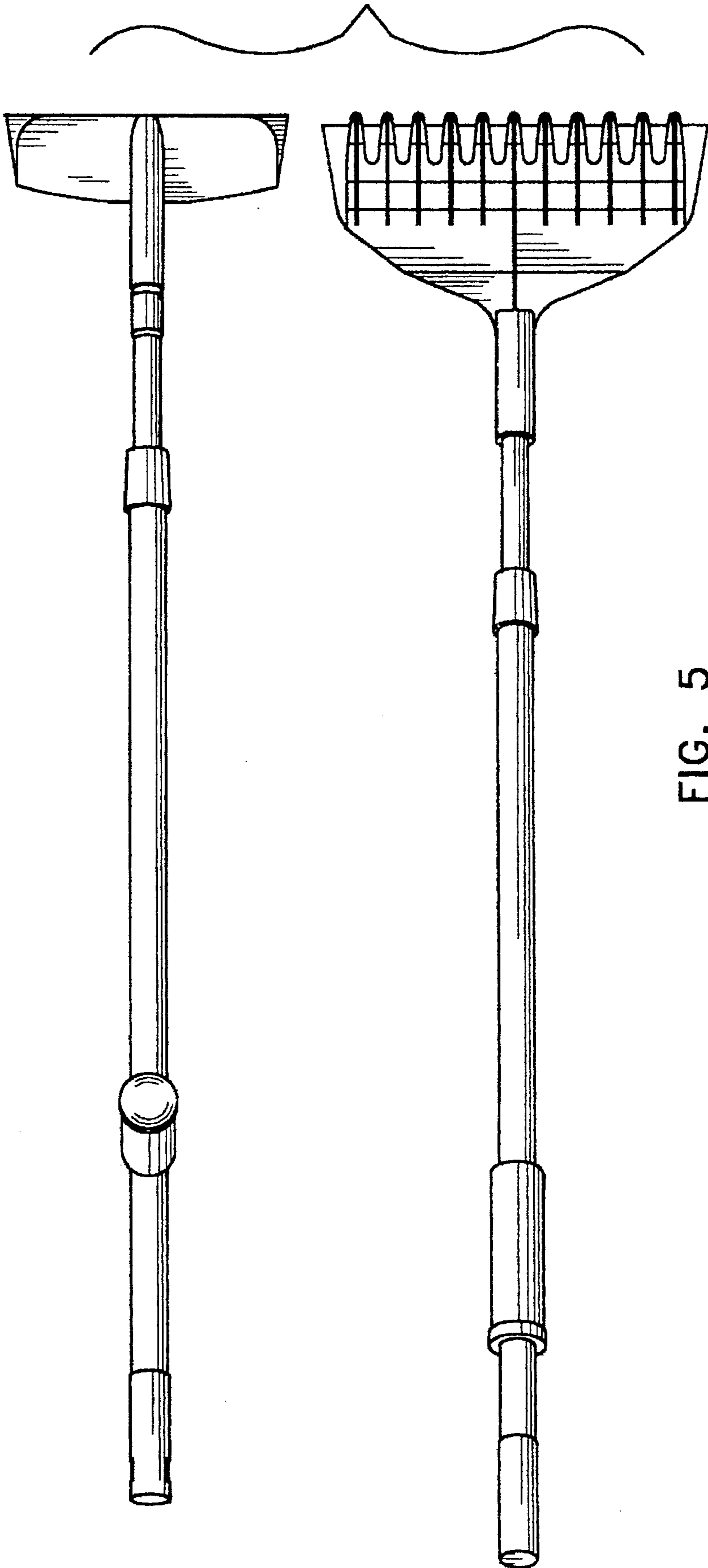


FIG. 5



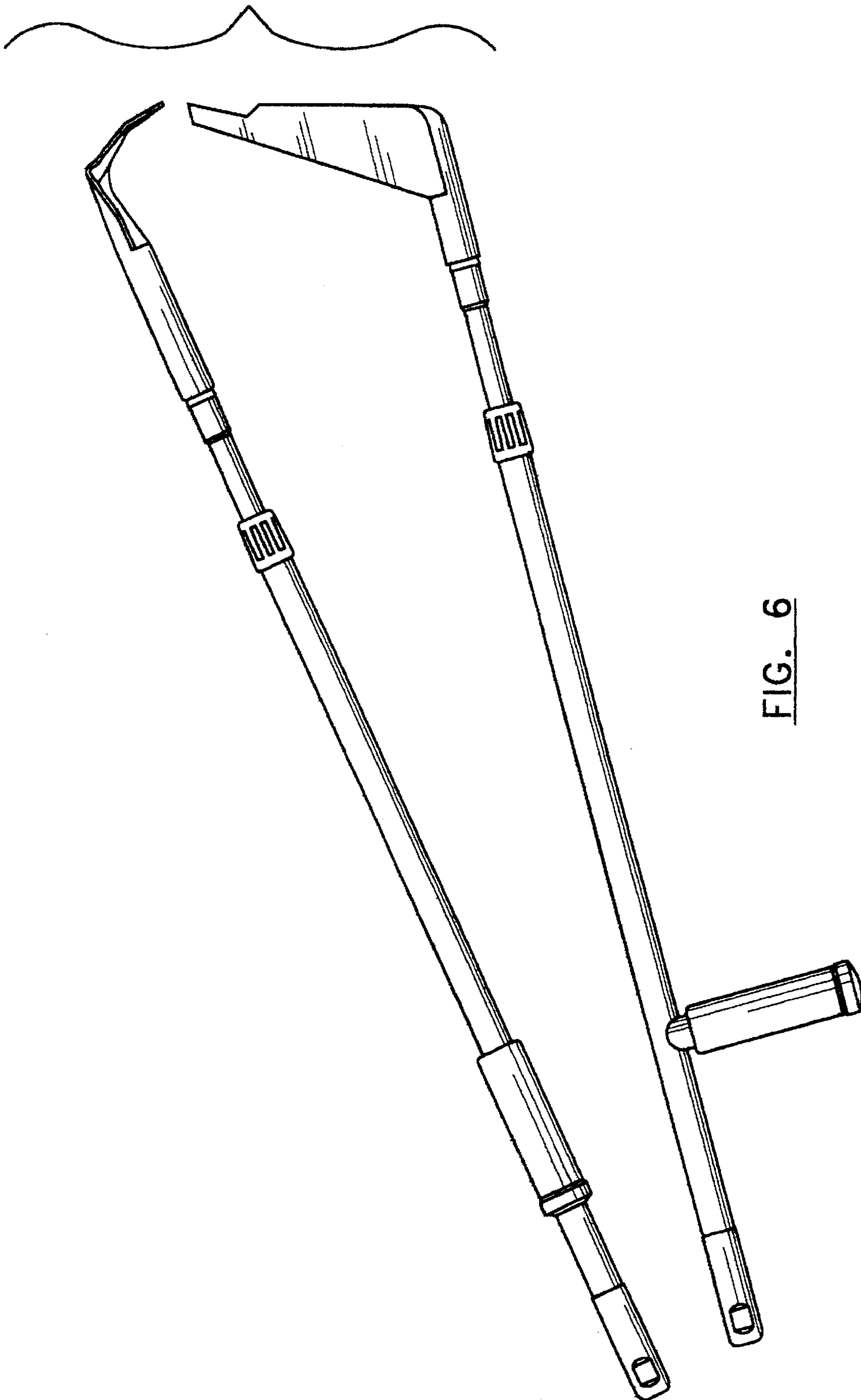


FIG. 6

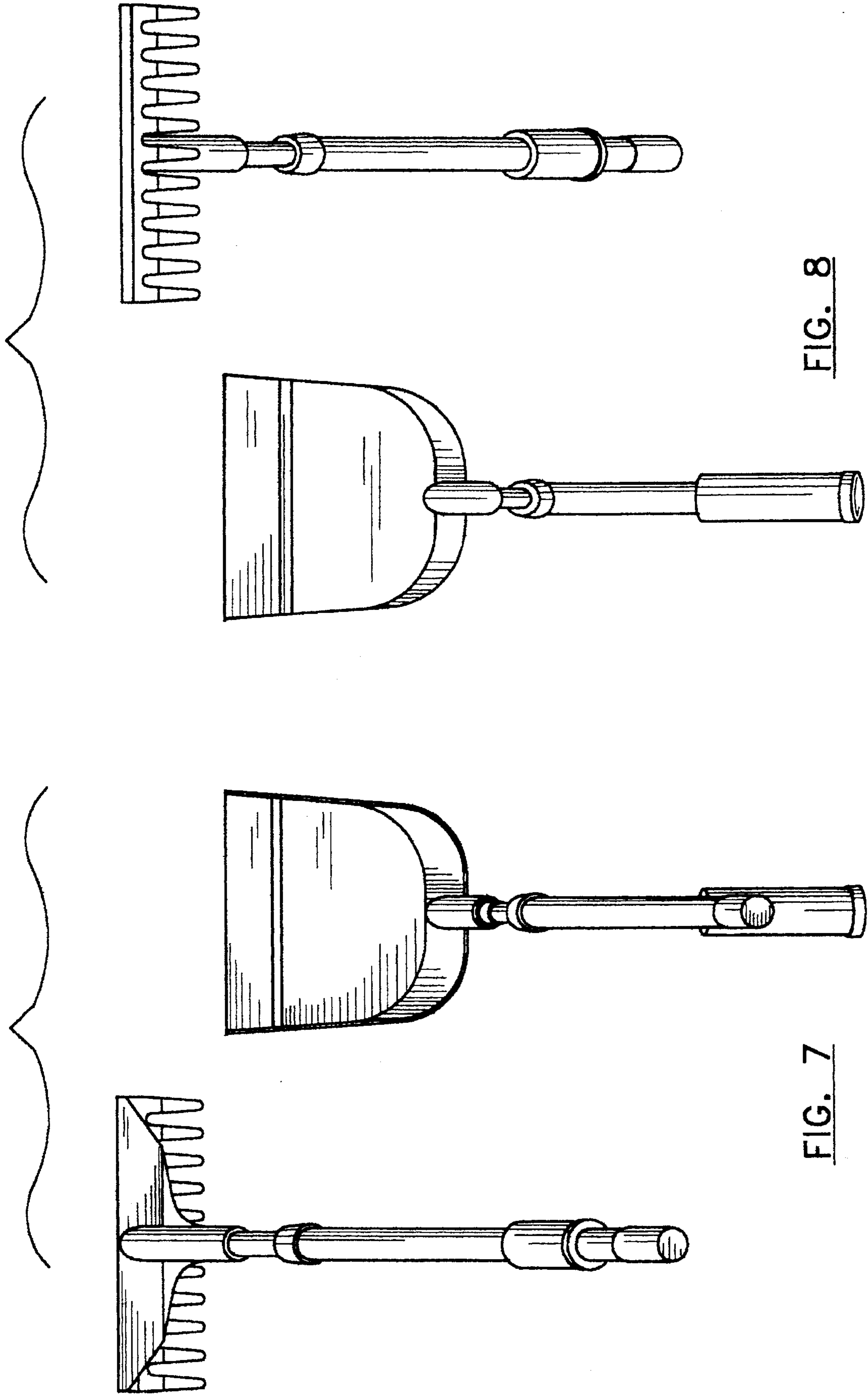


FIG. 8

FIG. 7

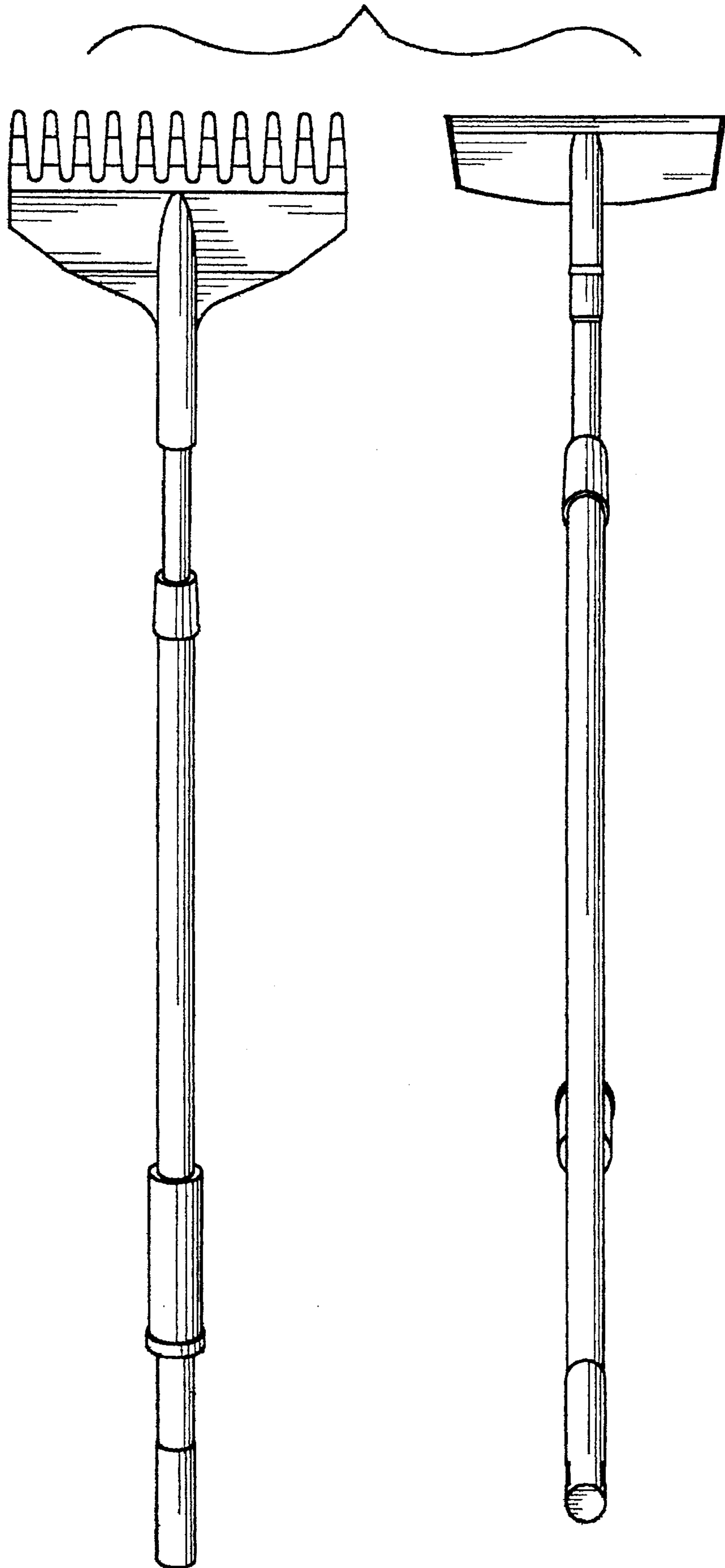


FIG. 9



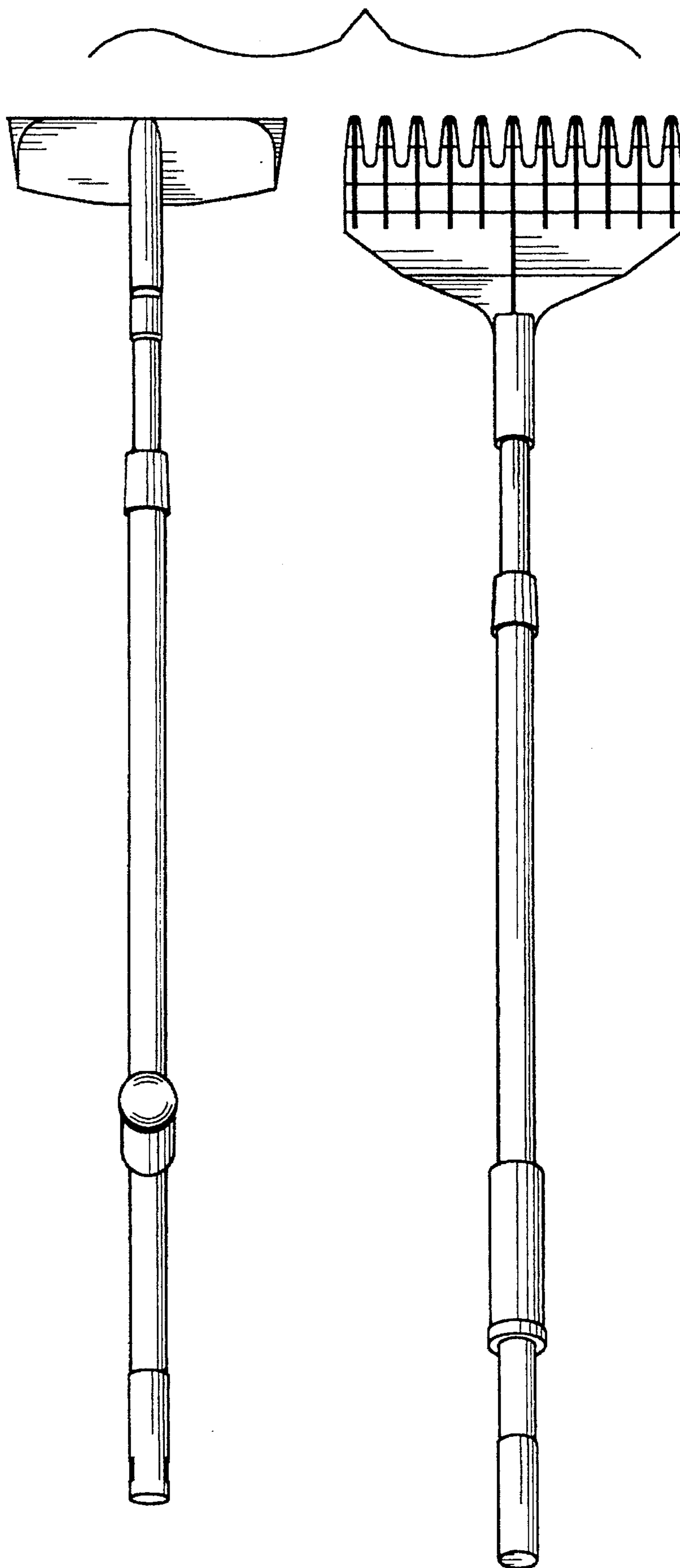


FIG. 10

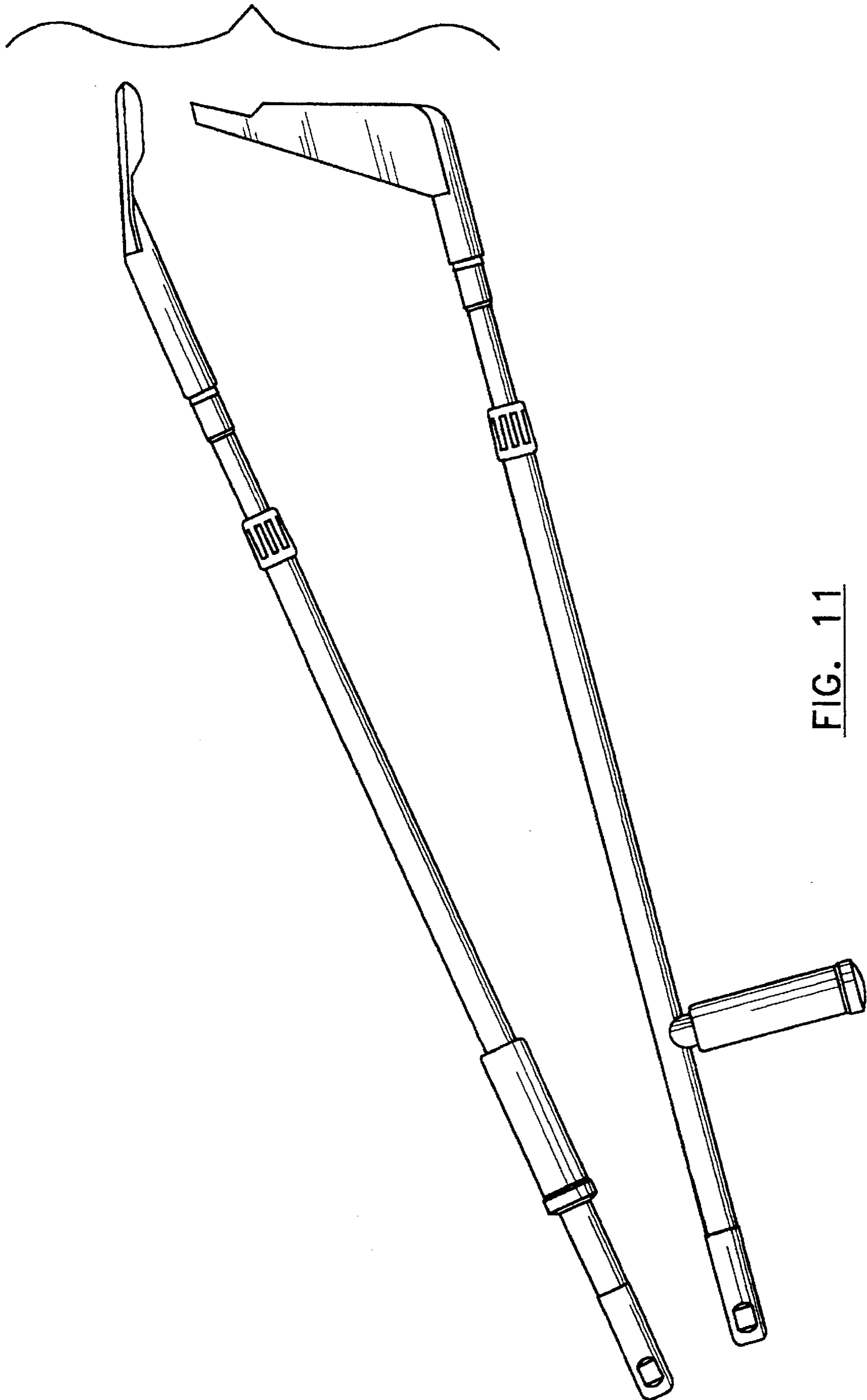
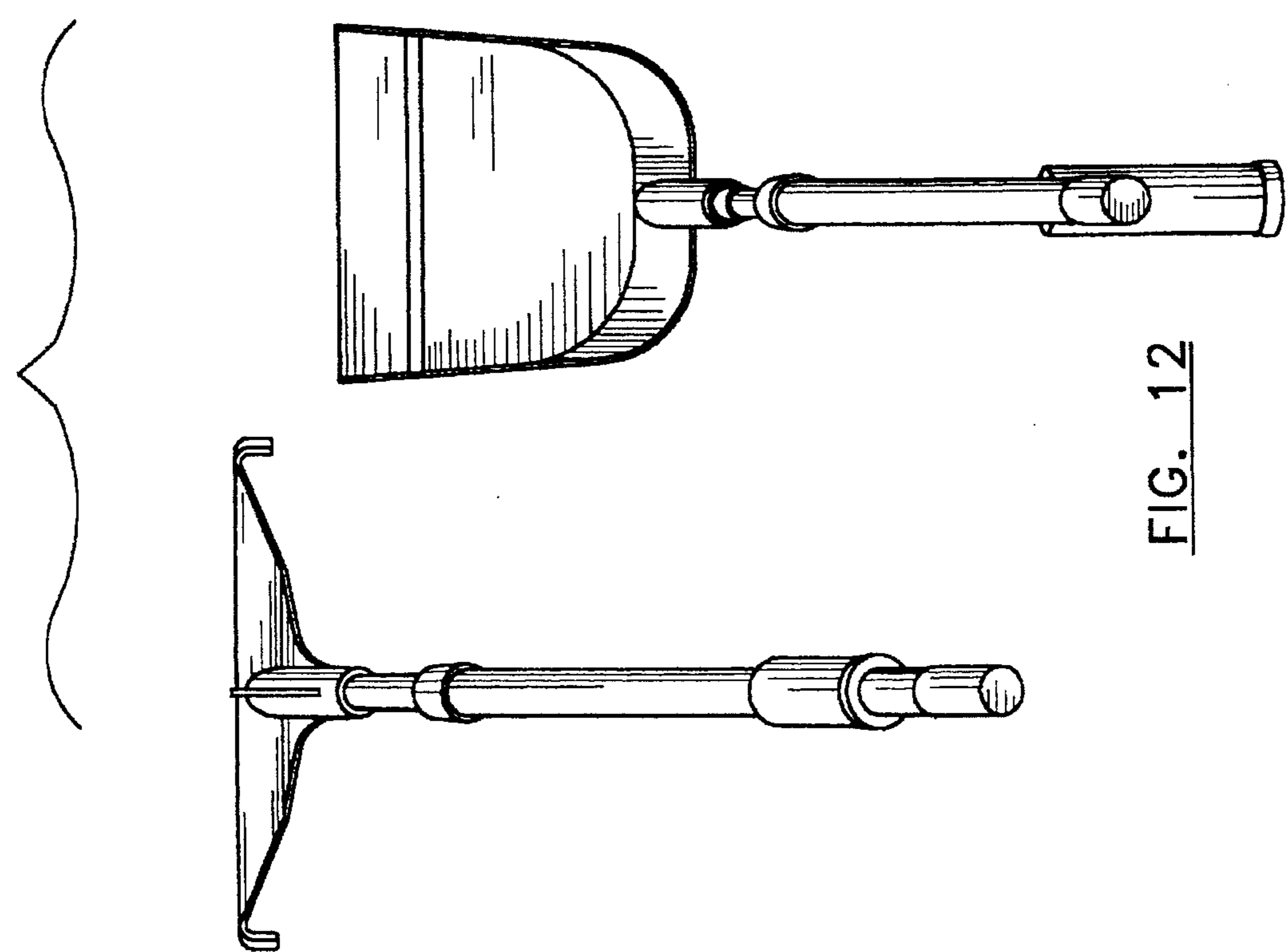
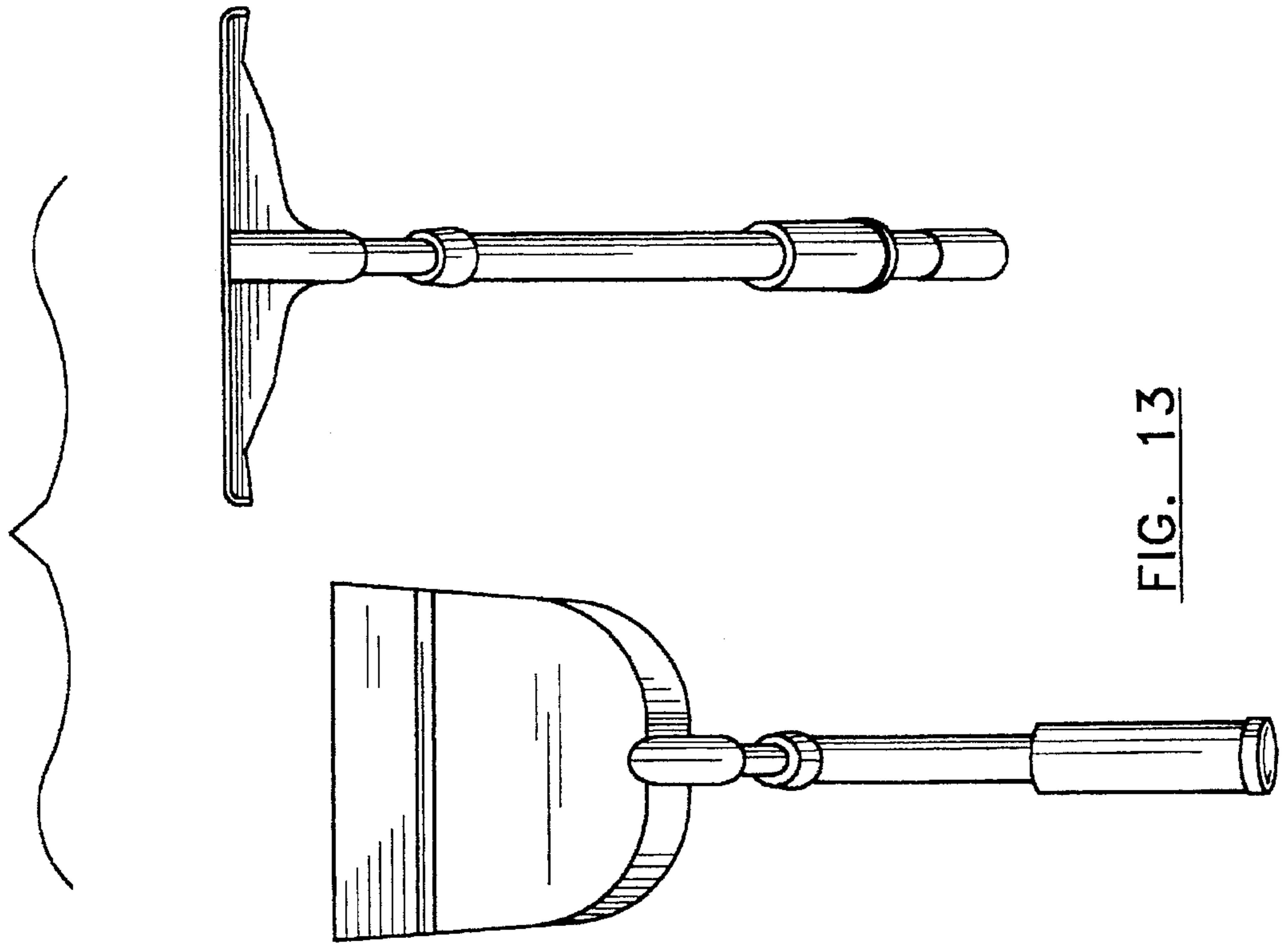


FIG. 11



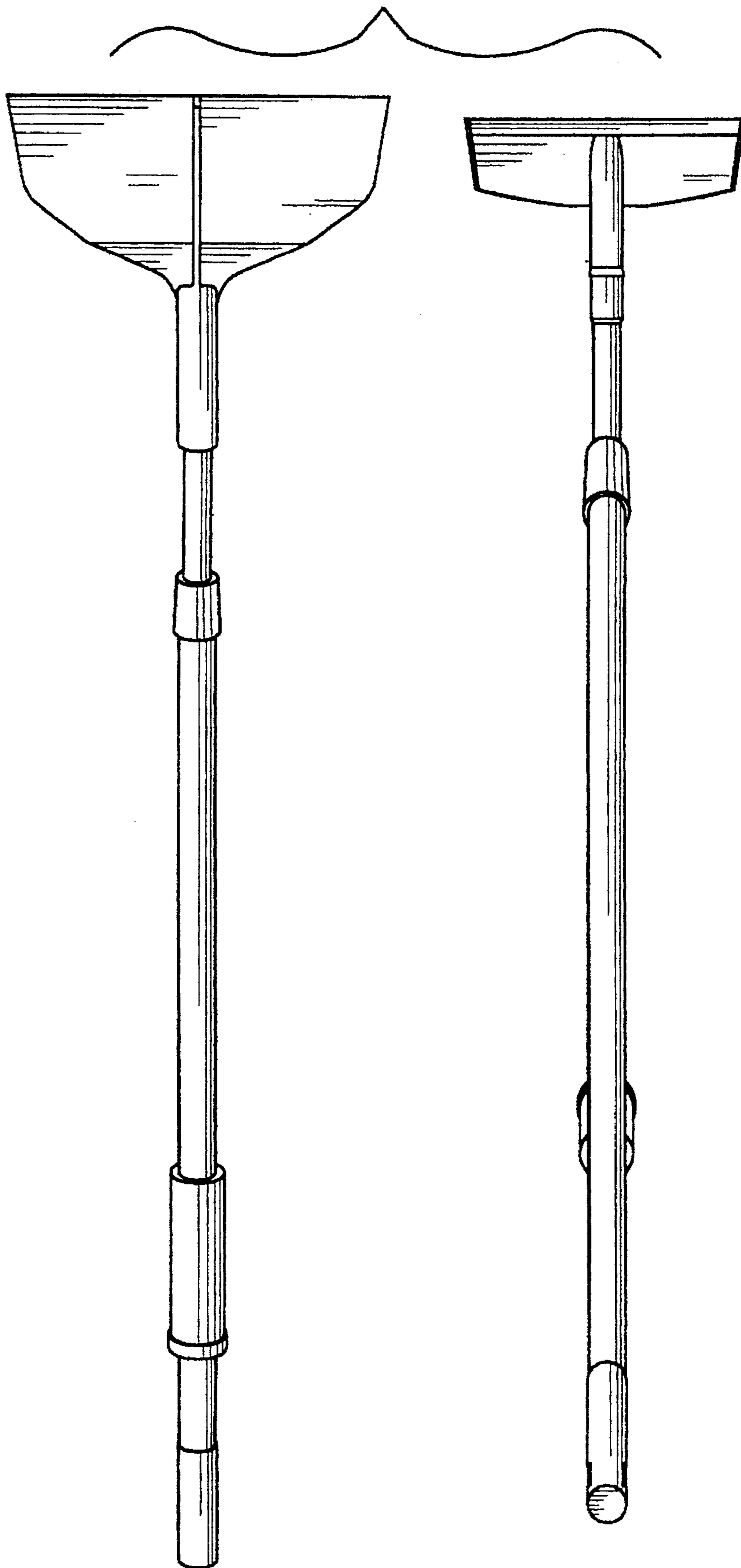


FIG. 14

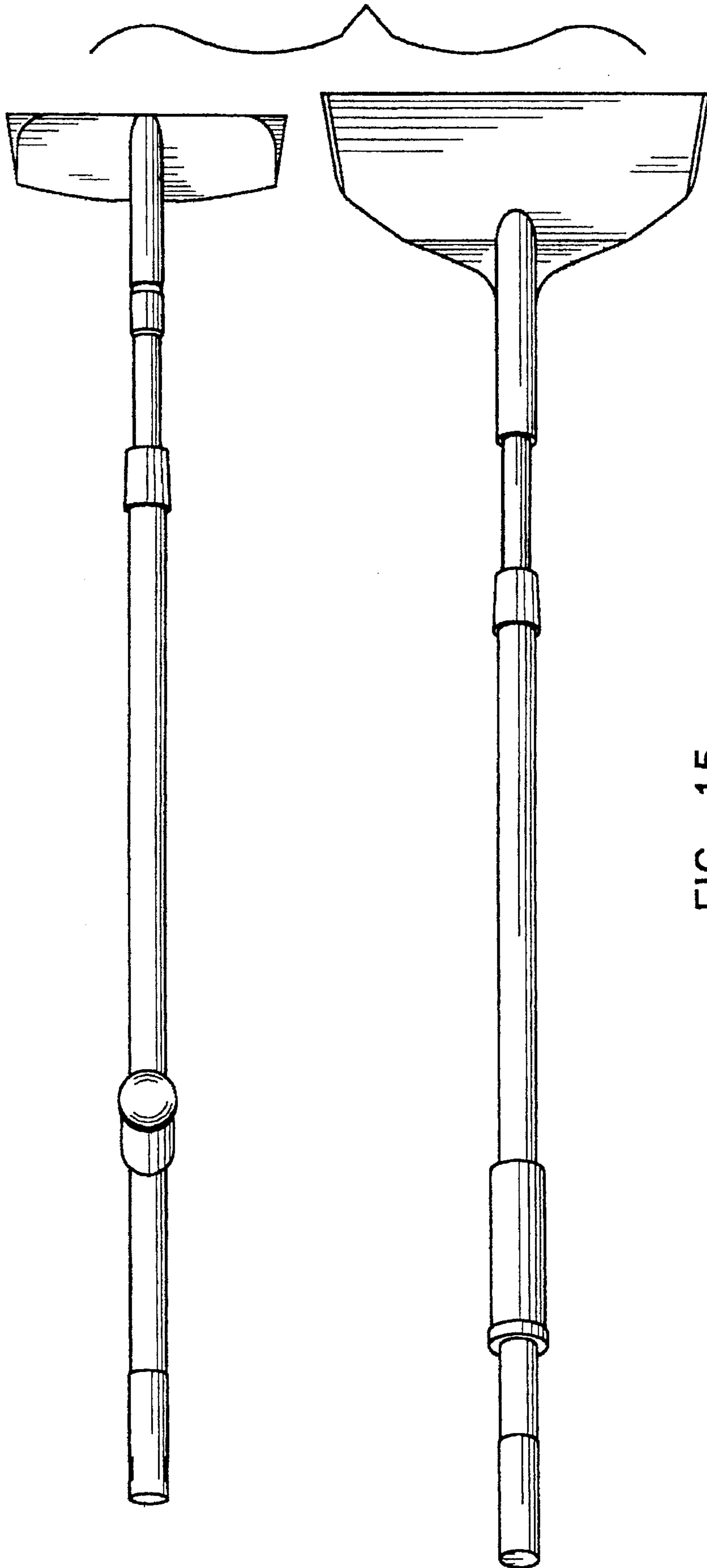


FIG. 15