



US00D381774S

United States Patent [19] Huang

[11] Patent Number: **Des. 381,774**

[45] Date of Patent: ****Jul. 29, 1997**

[54] LIPSTICK CASE

D. 364,005 11/1995 Wacker D28/85 X

[76] Inventor: **Chin-Yi Huang**, No. 4, Lane 155, Tan Pei Road, Yueh Mei Li, Ho Mei Chen, Chang Hua Hsien, Taiwan

FOREIGN PATENT DOCUMENTS

325307 10/1957 Switzerland 401/78

[**] Term: **14 Years**

OTHER PUBLICATIONS

"Beauty Fashion" Feb. 1989, p. 35: Shishiedo Bio-Performance Container.

[21] Appl. No.: **44,826**

Primary Examiner—Catherine Tuttle

[22] Filed: **Oct. 2, 1995**

Attorney, Agent, or Firm—Morton J. Rosenberg; David I. Klein

[51] LOC (6) Cl. **28-03**

[52] U.S. Cl. **D28/87; D28/85**

[58] Field of Search D28/76, 77, 85-91; D9/307, 322, 516, 544, 546, 548, 549, 552, 560, 562, 565; 206/385, 581, 823, 457; 401/88, 89, 98, 55, 61; D21/119; D7/591, 594, 597, 599

[57] CLAIM

The ornamental design for a lipstick case, as shown and described.

[56] References Cited

U.S. PATENT DOCUMENTS

- D. 58,283 6/1921 Woodard D21/119 X
- D. 138,602 8/1944 Merralls D9/322
- D. 141,278 5/1945 Frederics D28/85
- D. 142,679 10/1945 Spiegel D28/85
- D. 180,113 4/1957 Slater D28/85
- D. 183,997 11/1958 McConnell D28/85
- D. 305,398 1/1990 Chen D28/87

DESCRIPTION

FIG. 1 is a perspective view of a lipstick case showing my new design;

FIG. 2 is a front elevational view thereof;

FIG. 3 is a rear elevational view thereof;

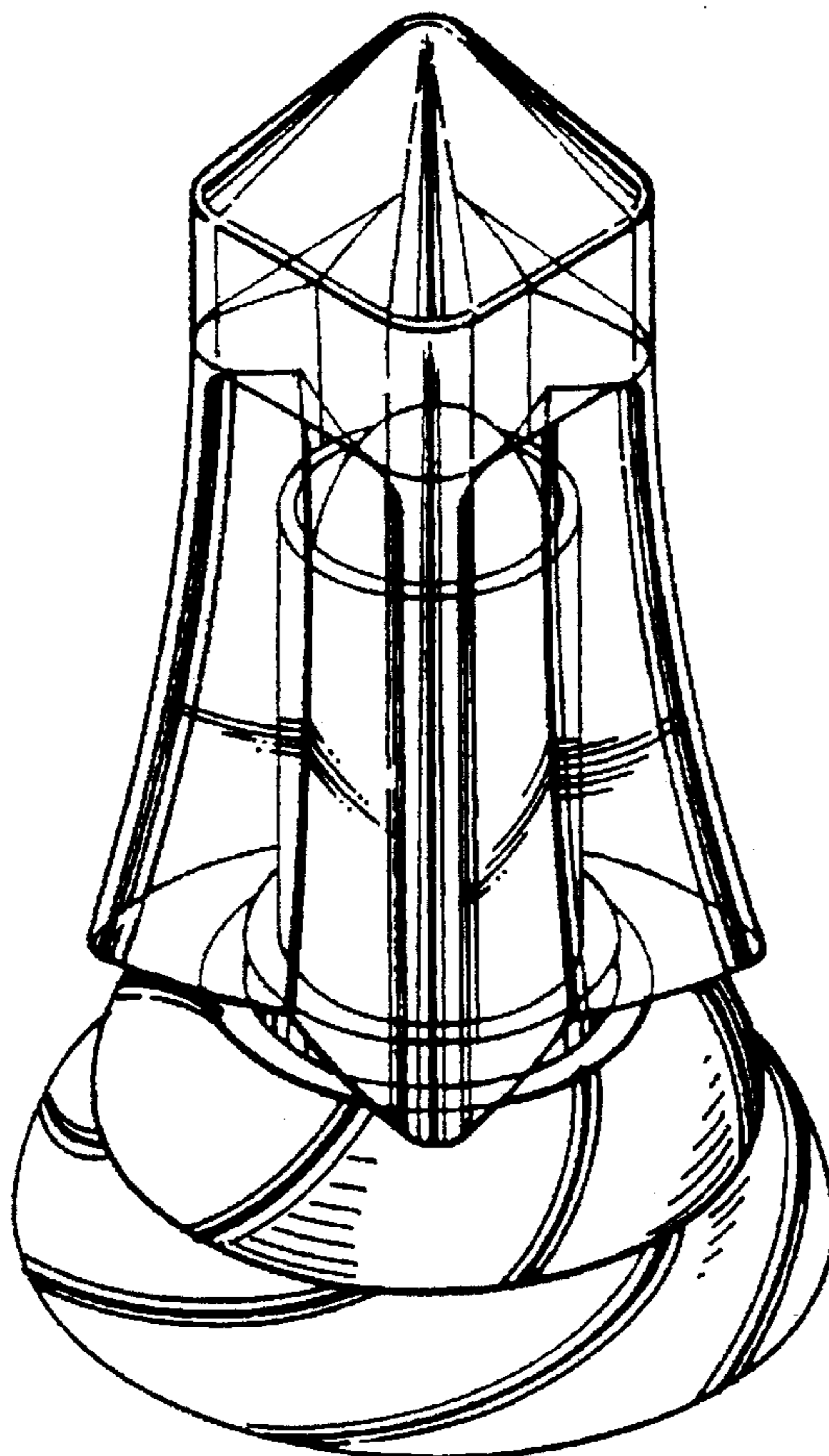
FIG. 4 is a left side elevational view thereof;

FIG. 5 is a right side elevational view thereof;

FIG. 6 is a top plan view thereof; and,

FIG. 7 is a bottom plan view thereof.

1 Claim, 3 Drawing Sheets



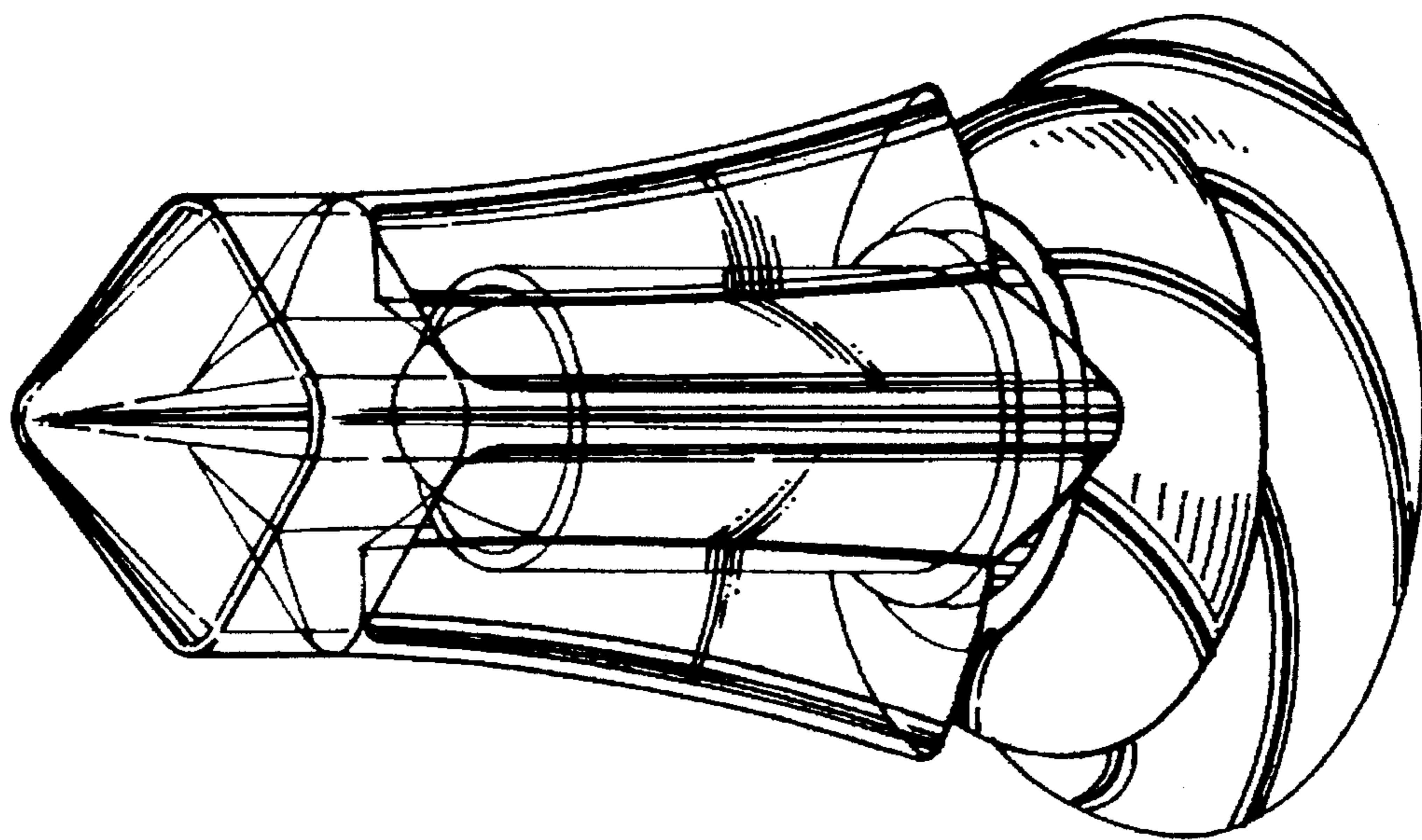


FIG. 1

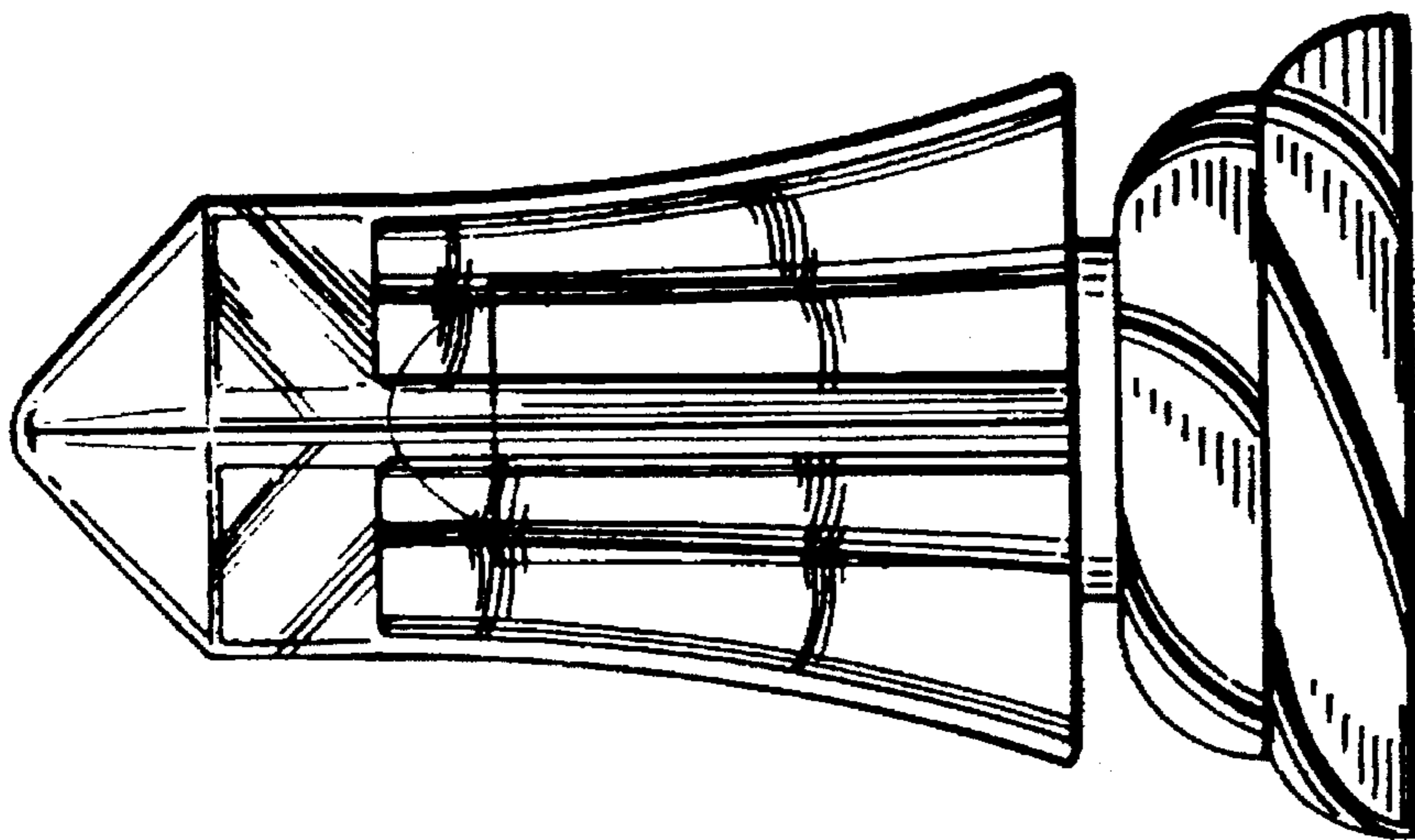


FIG. 2

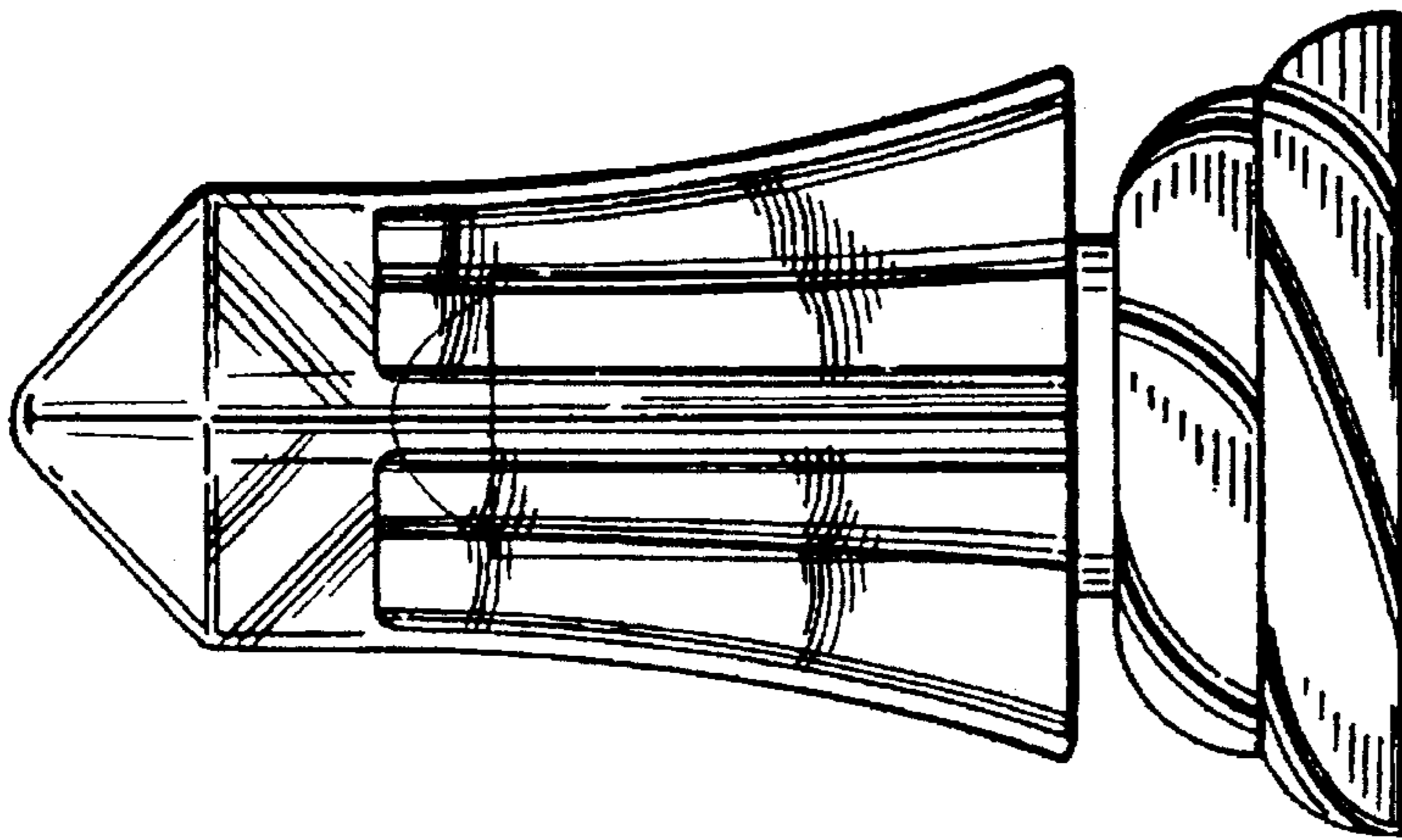


FIG. 3

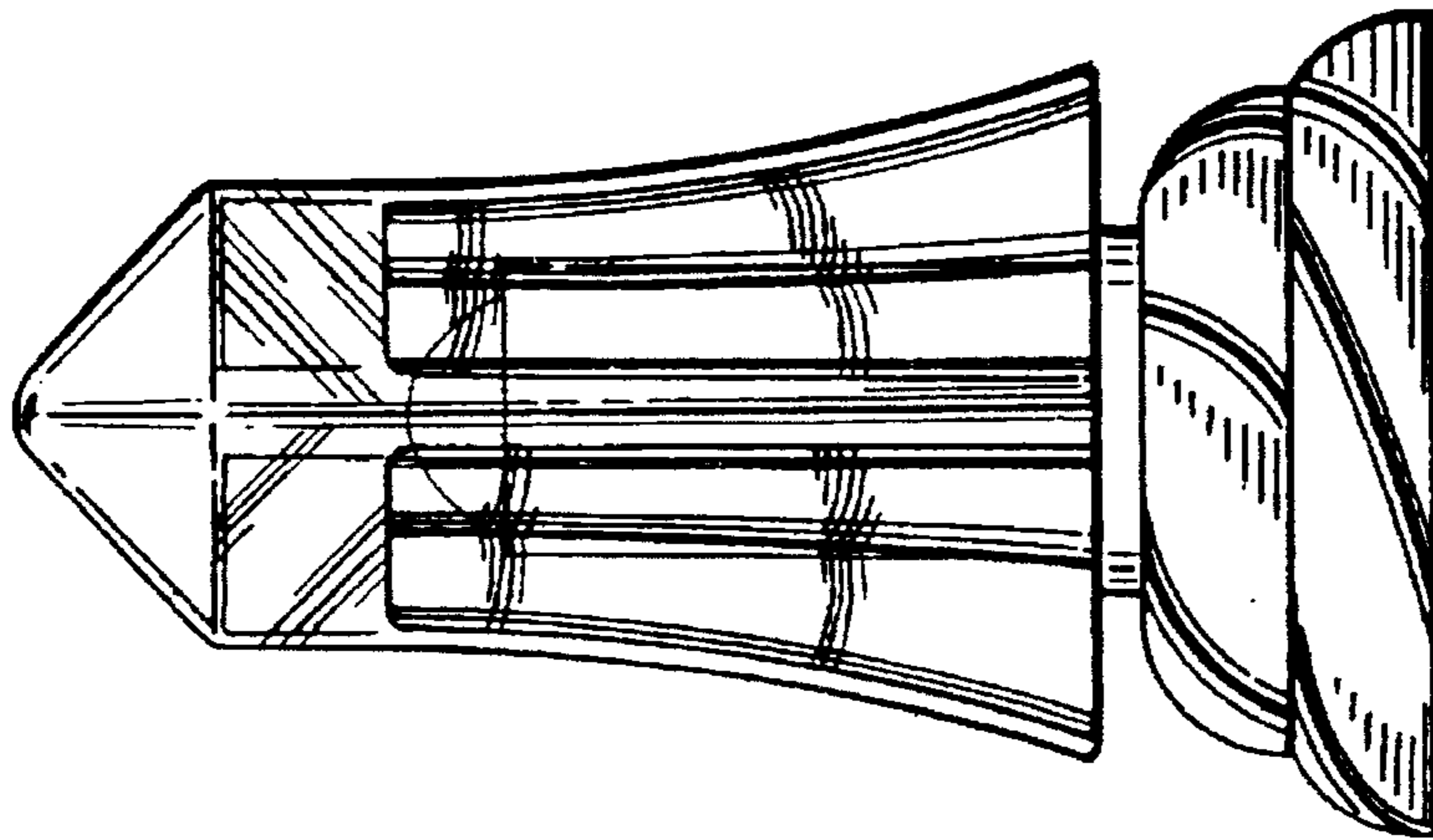


FIG. 4

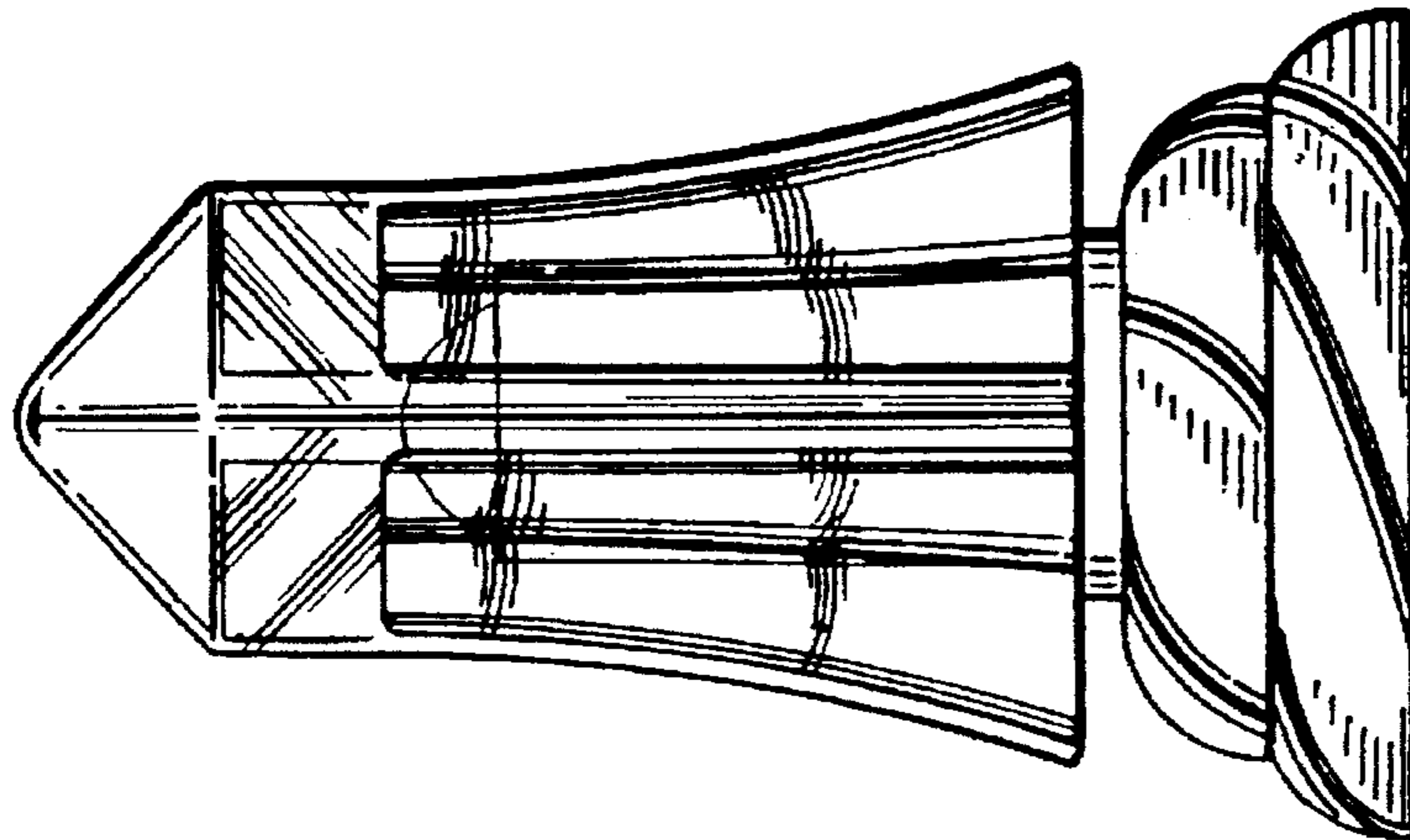


FIG. 5

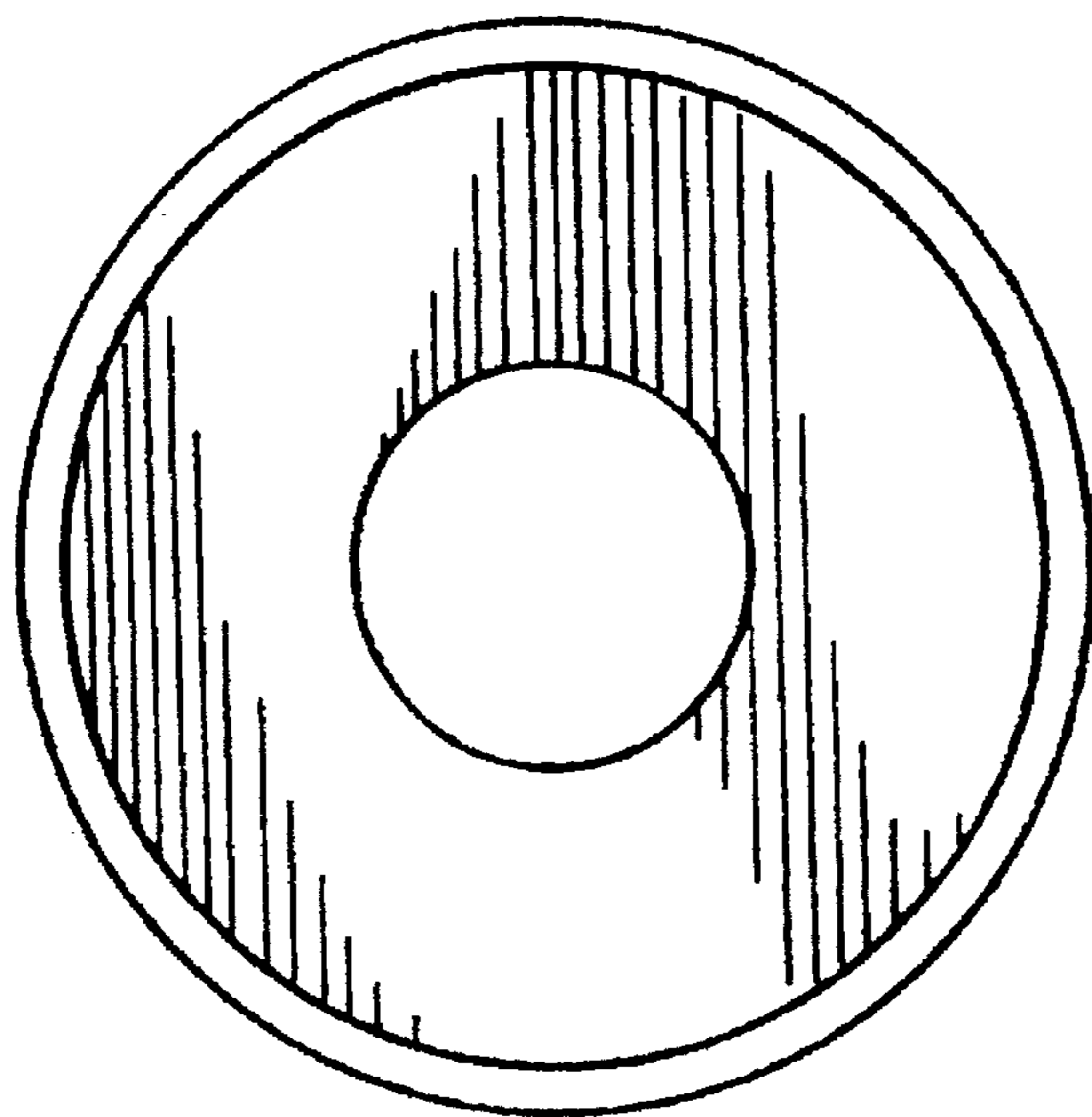


FIG. 7

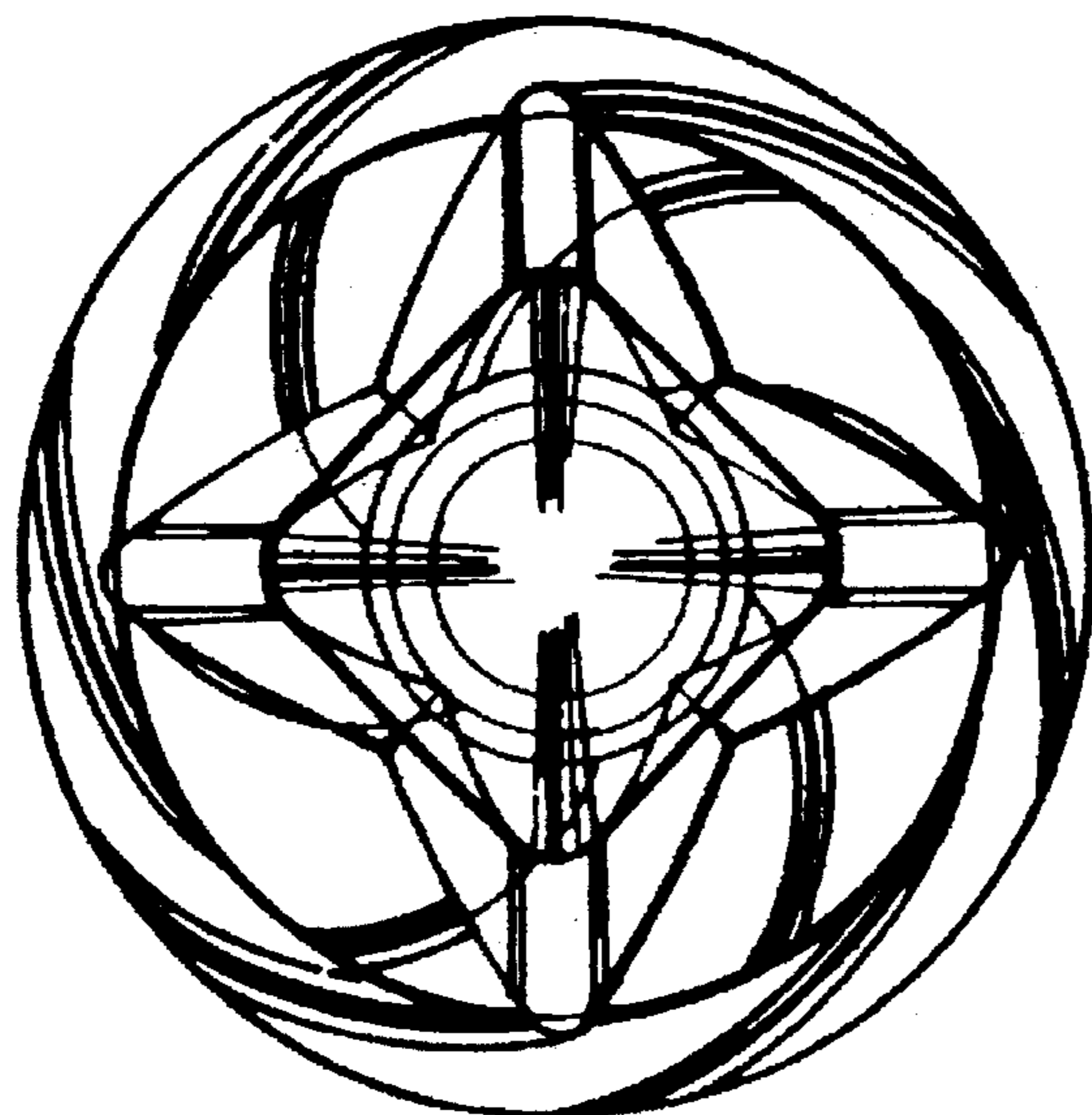


FIG. 6