

US00D381767S

United States Patent [19]
Chang

[11] **Patent Number: Des. 381,767**

[45] **Date of Patent: **Jul. 29, 1997**

[54] **HAIR CLIP**

[76] **Inventor: Wen-Hsiung Chang**, No. 32, Lane 232,
Chung Shan Road, Tainan, Taiwan

[**] **Term: 14 Years**

[21] **Appl. No.: 47,155**

[22] **Filed: Nov. 28, 1995**

[51] **LOC (6) Cl. 28-03**

[52] **U.S. Cl. D28/40; D28/29; D28/25**

[58] **Field of Search D28/21, 25-33,**
D28/35, 38; 132/126-135, 144, 148-50,
158-60, 273, 275, 277

[56] **References Cited**

U.S. PATENT DOCUMENTS

D. 38,849	10/1907	Wilcox	D28/33
825,842	7/1906	Kingman	132/278
2,279,997	4/1942	Kantor	132/223
2,712,319	7/1955	Roitner	132/129
5,494,060	2/1996	Potut	132/279 X

FOREIGN PATENT DOCUMENTS

609324	8/1926	France	132/144
--------	--------	--------	-------	---------

OTHER PUBLICATIONS

Hong Kong Enterprise Feb. 1982, p. 101: hair retaining
combs indicated by arrows Feb. 1982.

Hong Kong Enterprise Jun. 1995, p. 91: item Nos. B448/
VG, B447M and B446N to the left of center in rows 6,7 and
8 Jun. 1995.

Primary Examiner—Ted Shooman

Assistant Examiner—C. Tuttle

[57] **CLAIM**

The ornamental design for a hair clip, as shown and
described.

DESCRIPTION

FIG. 1 is a perspective view of a hair clip showing my new
design;

FIG. 2 is a front elevational view thereof;

FIG. 3 is a rear elevational view thereof;

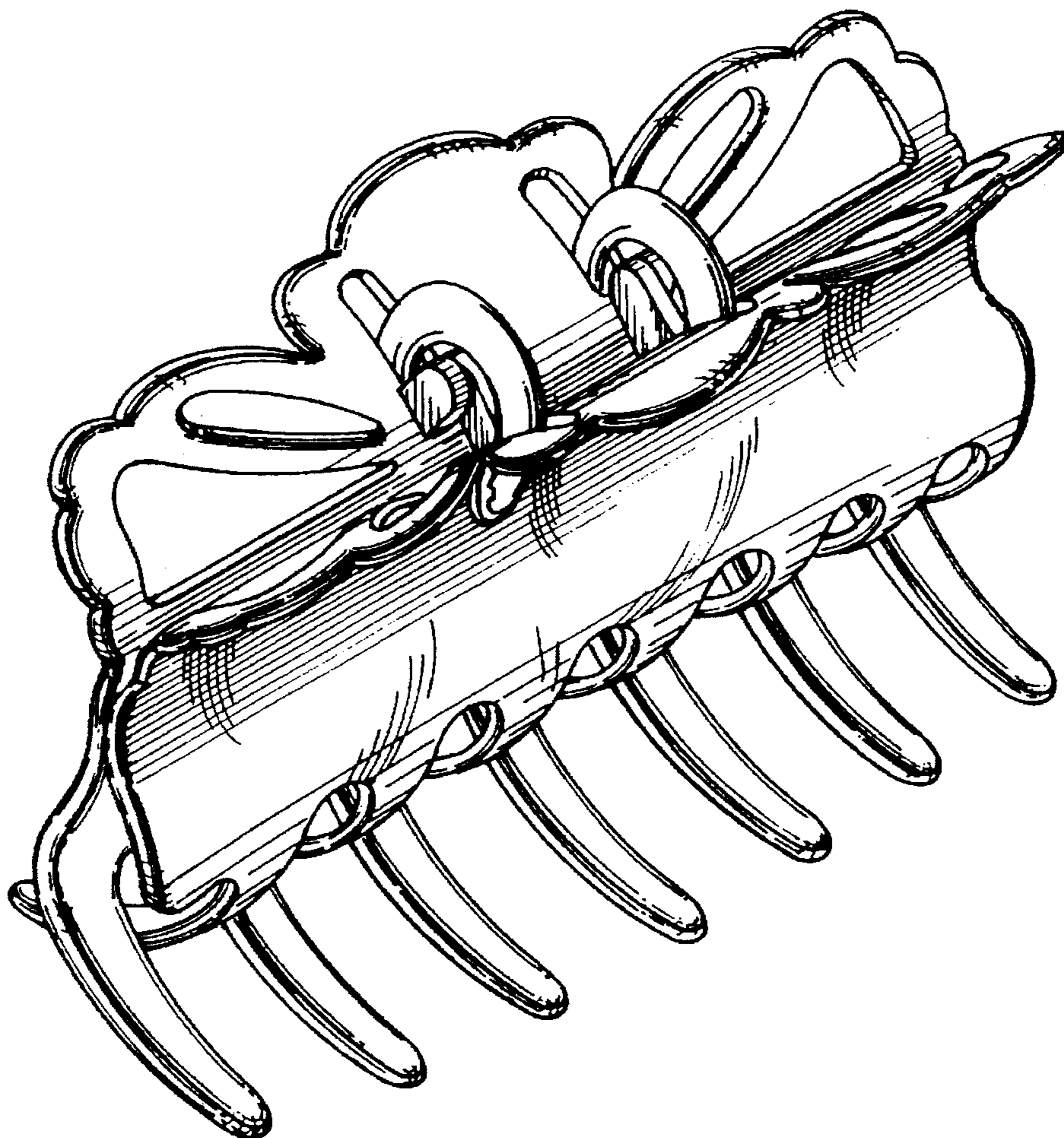
FIG. 4 is a left side elevational view thereof;

FIG. 5 is a right side elevational view thereof;

FIG. 6 is a top plan view thereof; and,

FIG. 7 is a bottom plan view thereof.

1 Claim, 3 Drawing Sheets



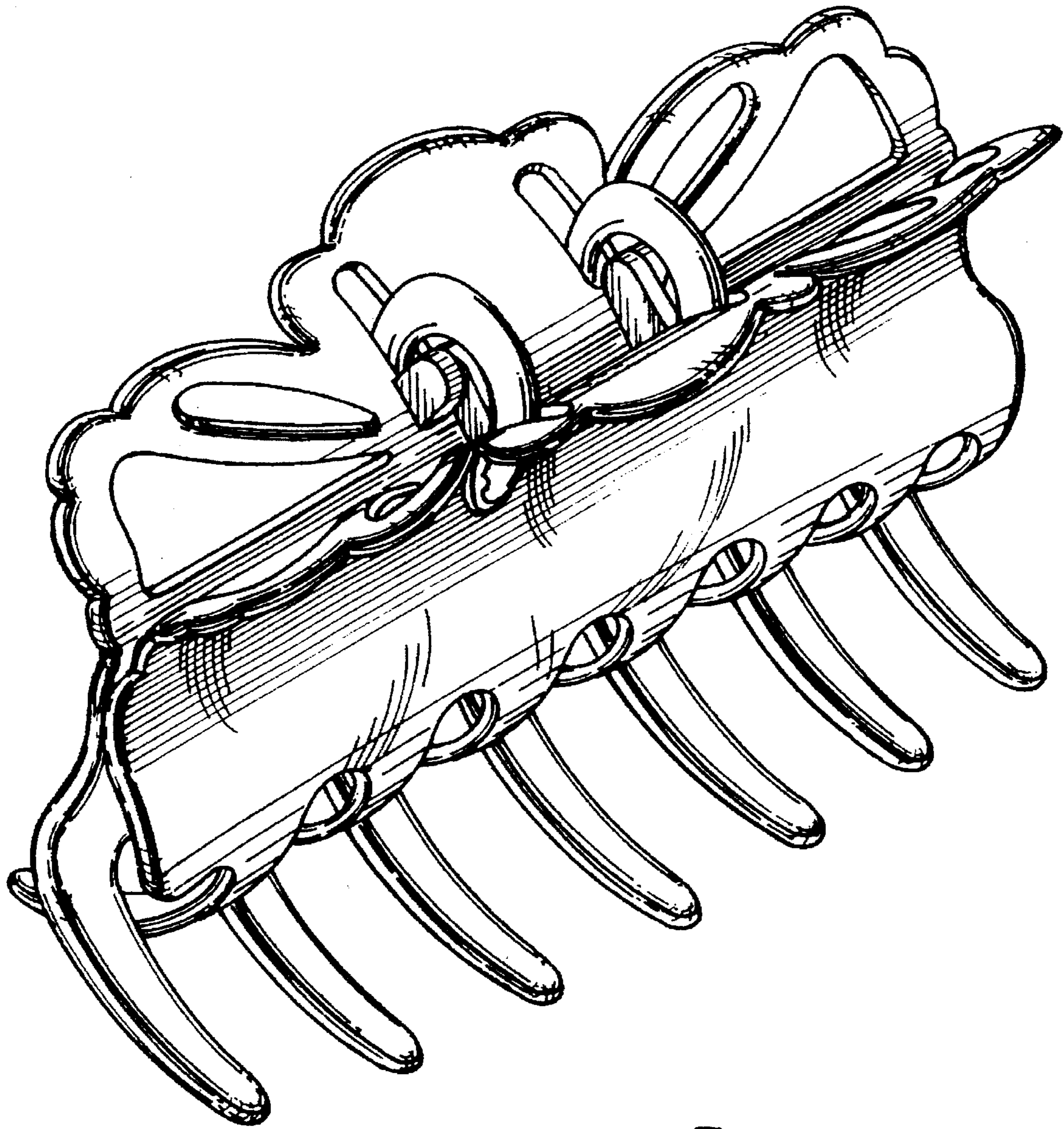


Fig. 1

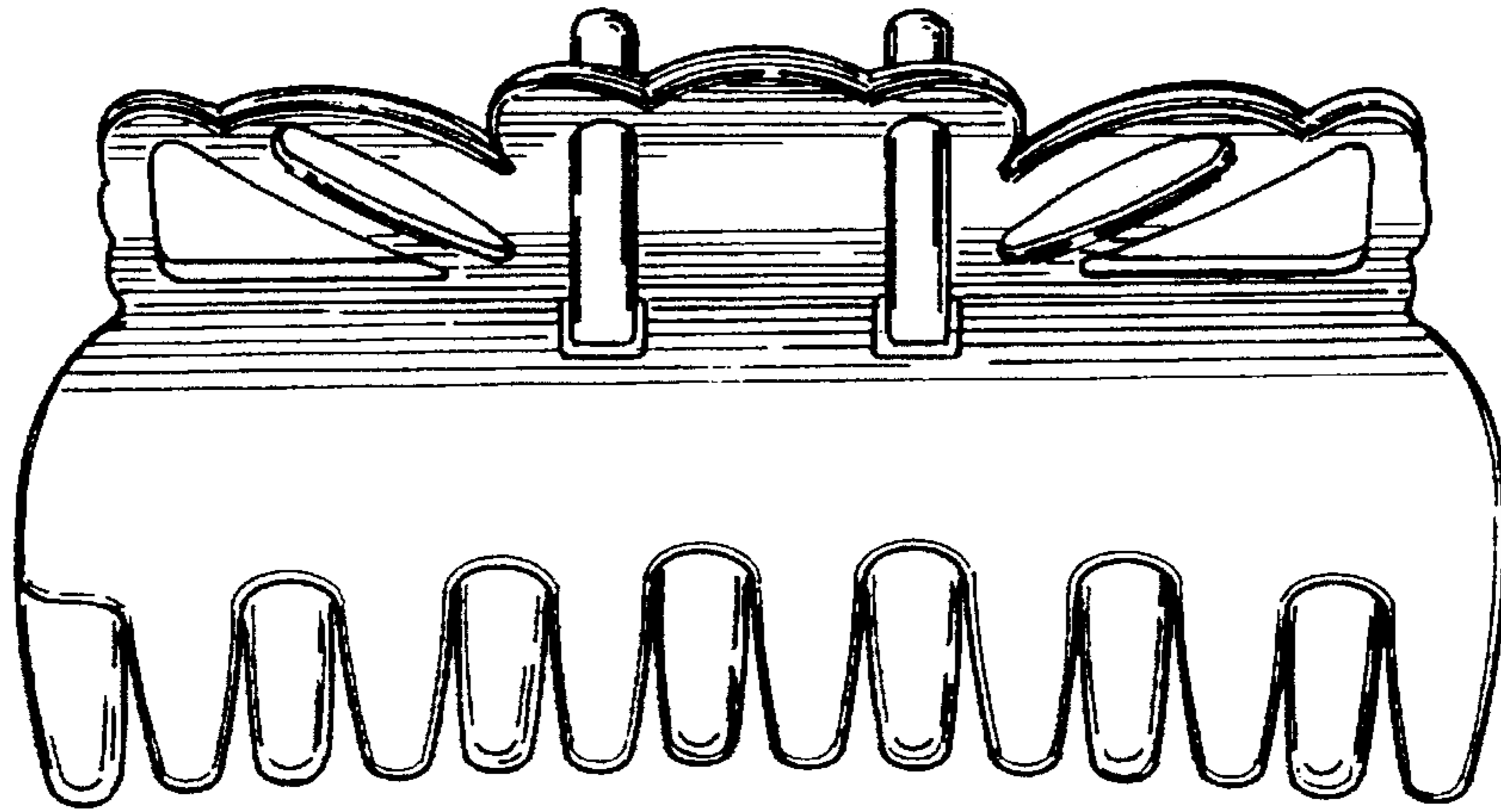


Fig 2

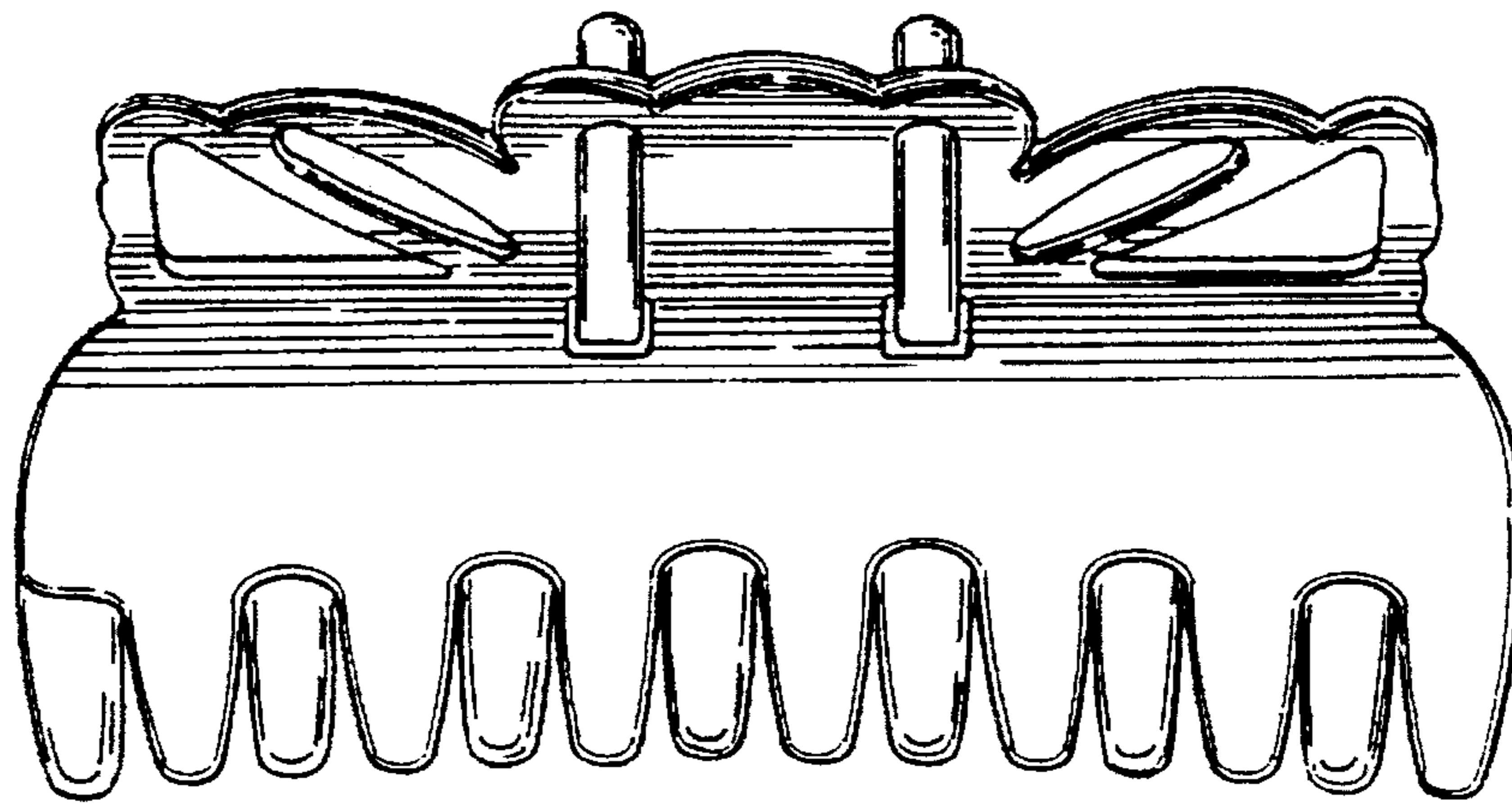


Fig 3

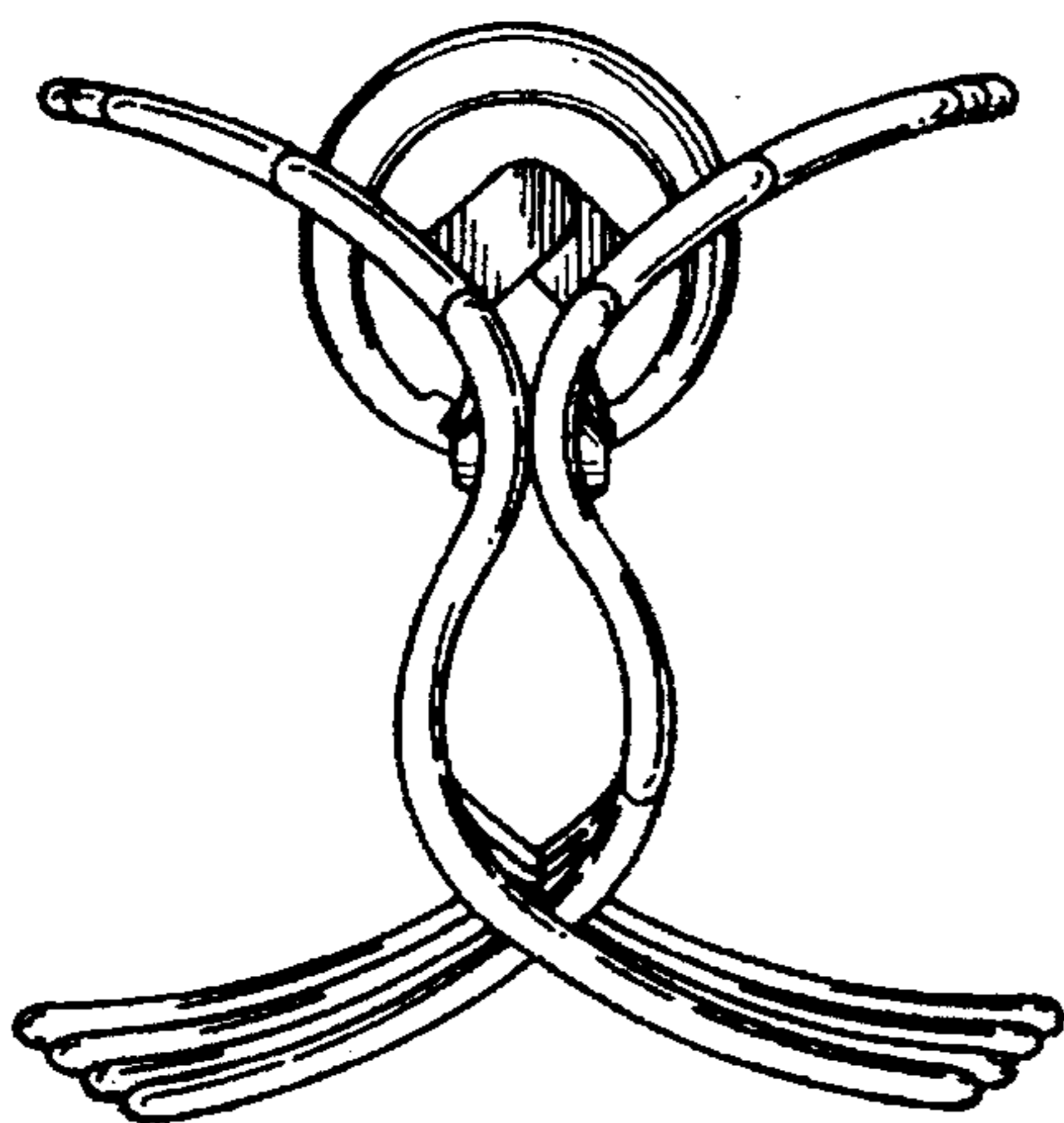


Fig.4

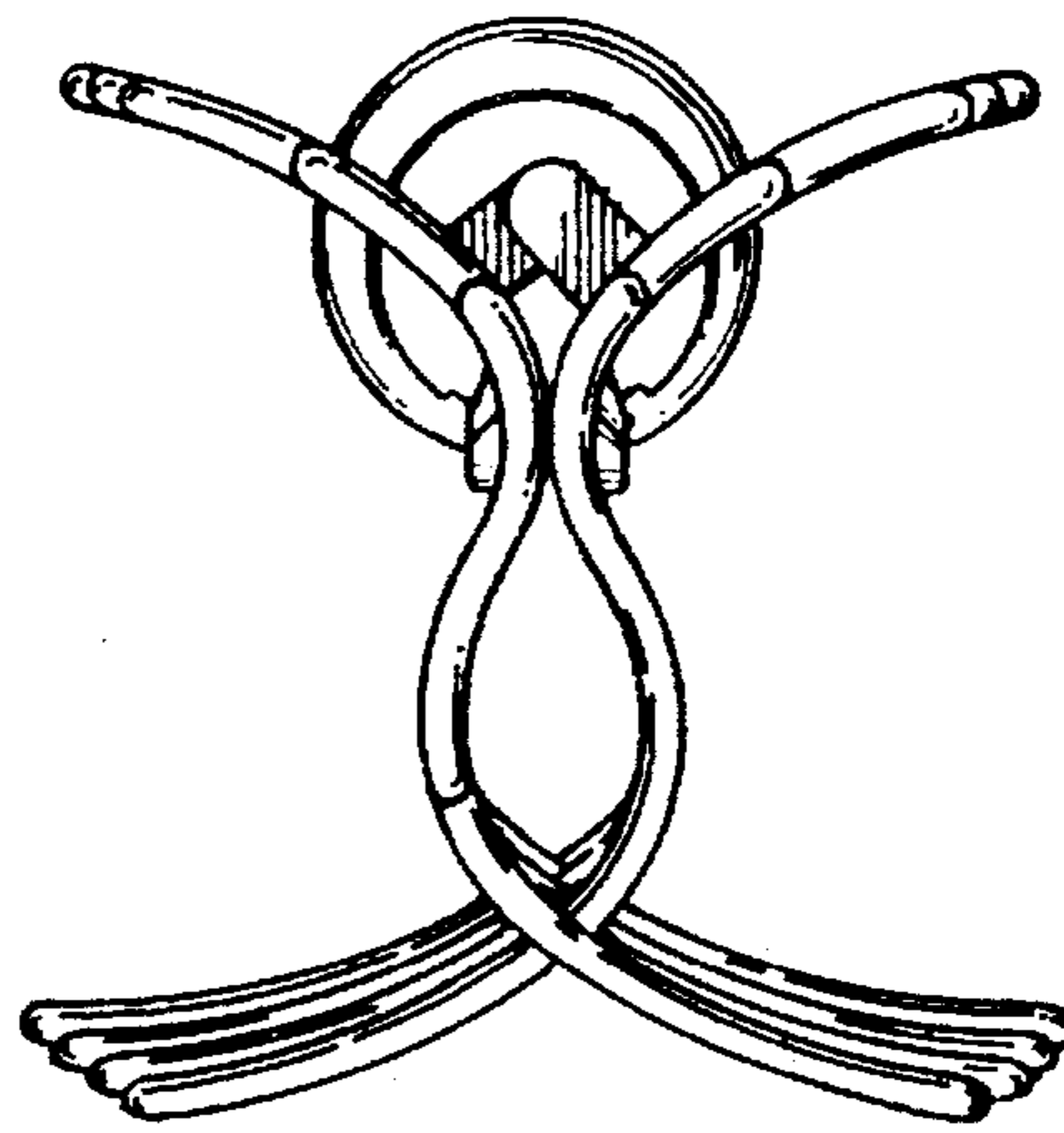


Fig.5

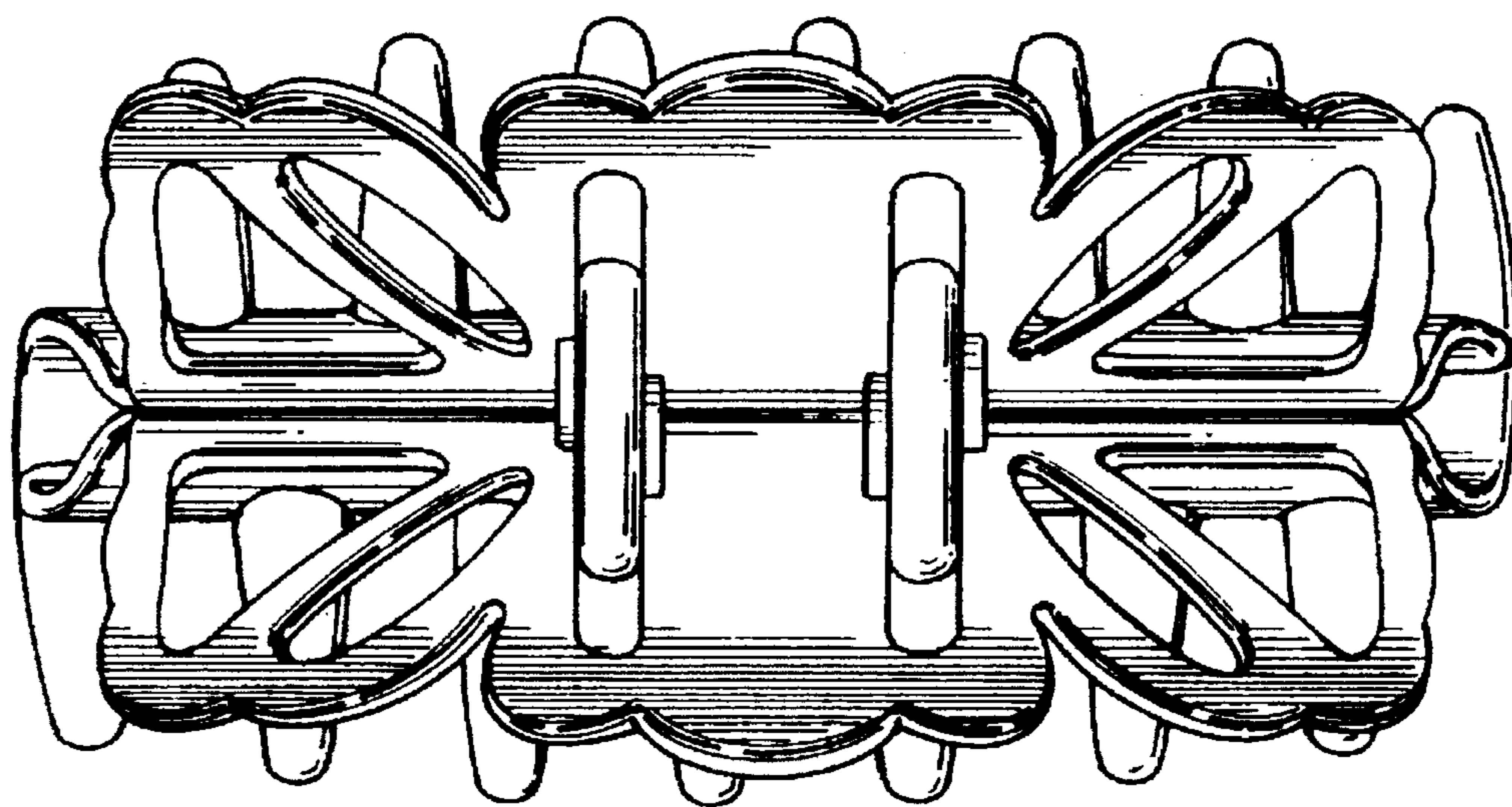


Fig. 6

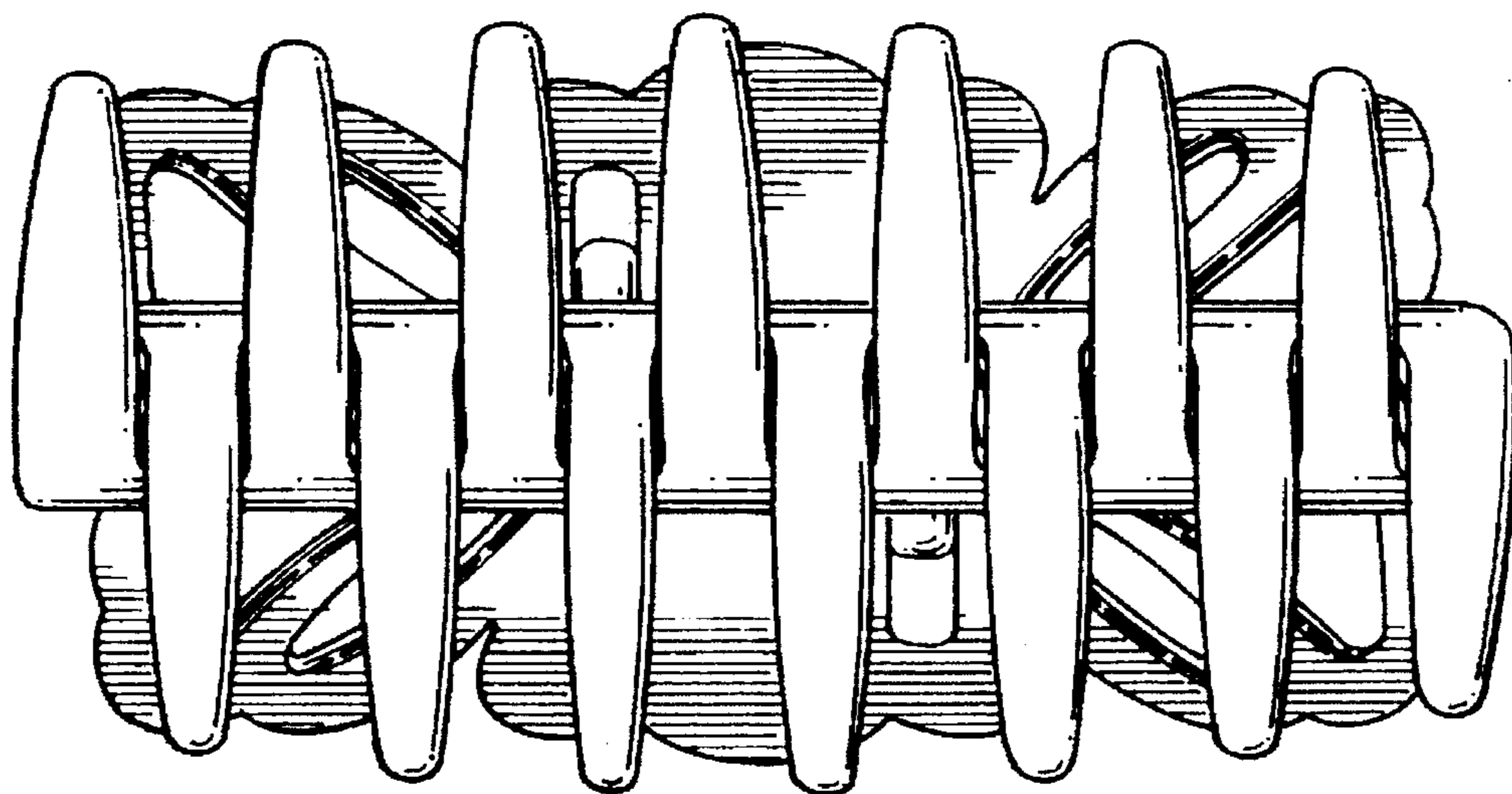


Fig. 7