



US00D381766S

# United States Patent [19] Smal

[11] Patent Number: Des. 381,766  
[45] Date of Patent: \*\*Jul. 29, 1997

[54] **HAIR DRYER STYLING HEAD** 4,308,670 1/1982 Bonnema ..... 34/97  
[75] Inventor: **Henri Smal**, Barchon, Belgium  
[73] Assignee: **Faco S.A.**, Wandre, Belgium  
[\*\*] Term: **14 Years**  
[21] Appl. No.: **26,582**  
[22] Filed: **Aug. 1, 1994**  
[30] **Foreign Application Priority Data**  
Feb. 2, 1994 [WO] WIPO ..... DM/028596  
[51] **LOC (6) Cl.** ..... **28-02**  
[52] **U.S. Cl.** ..... **D28/18**  
[58] **Field of Search** ..... D28/13-18, 25,  
D28/28; 132/212, 271, 272, 112, 116, 117;  
34/96-101; 392/384, 385

FOREIGN PATENT DOCUMENTS  
3234014 3/1984 Germany ..... 34/96

OTHER PUBLICATIONS  
*Modern Salon* Mar. 1988, p. 8 upper left: hair dryer attachment shown by arrow.  
*Hong Kong Enterprise* Feb. 1993, p. 292: hair dryer attachment indicated by arrow.

*Primary Examiner*—Catherine Tuttle  
*Attorney, Agent, or Firm*—Herbert Dubno

### [57] CLAIM

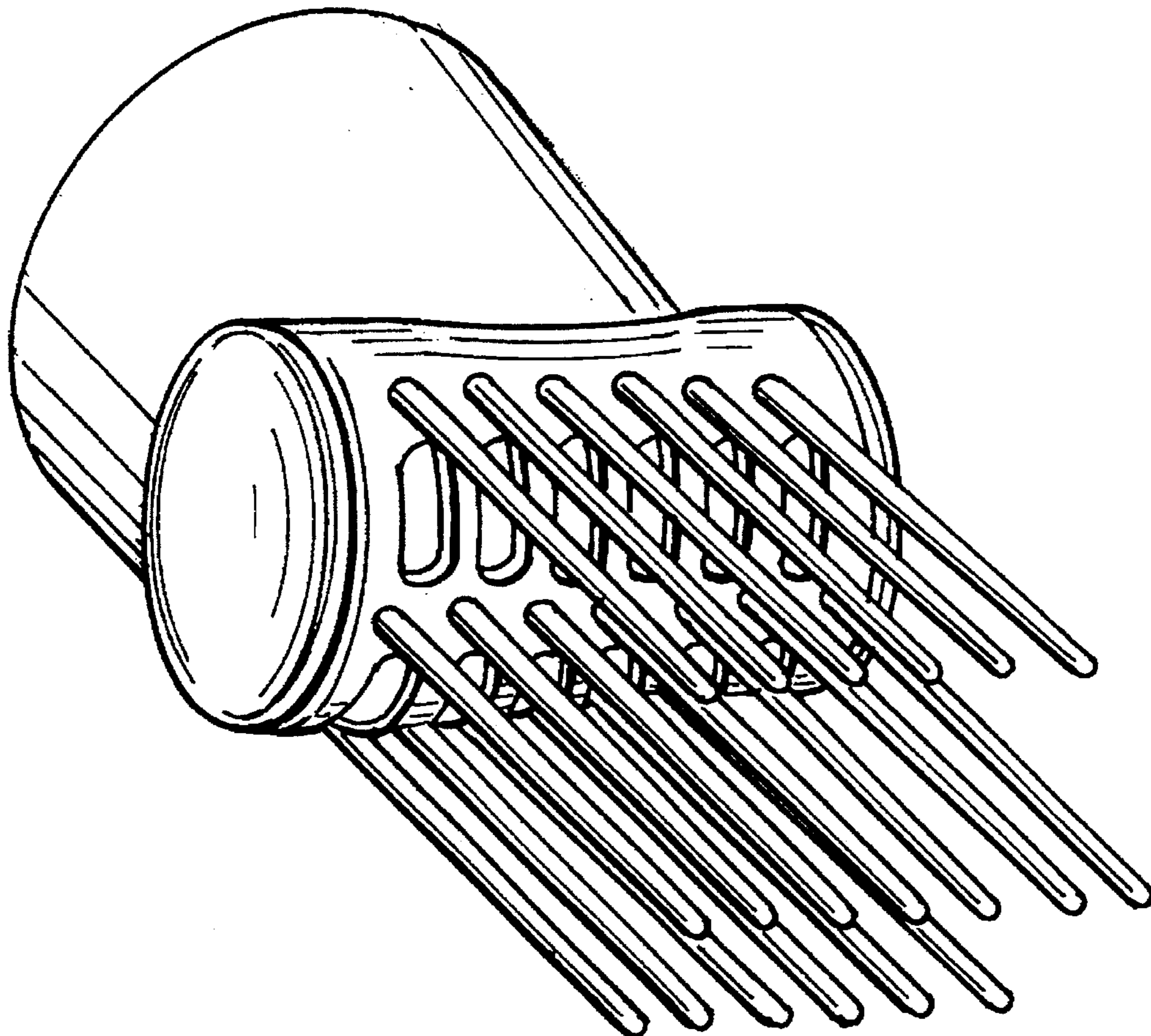
The ornamental design for a hair dryer styling head, as shown and described.

### DESCRIPTION

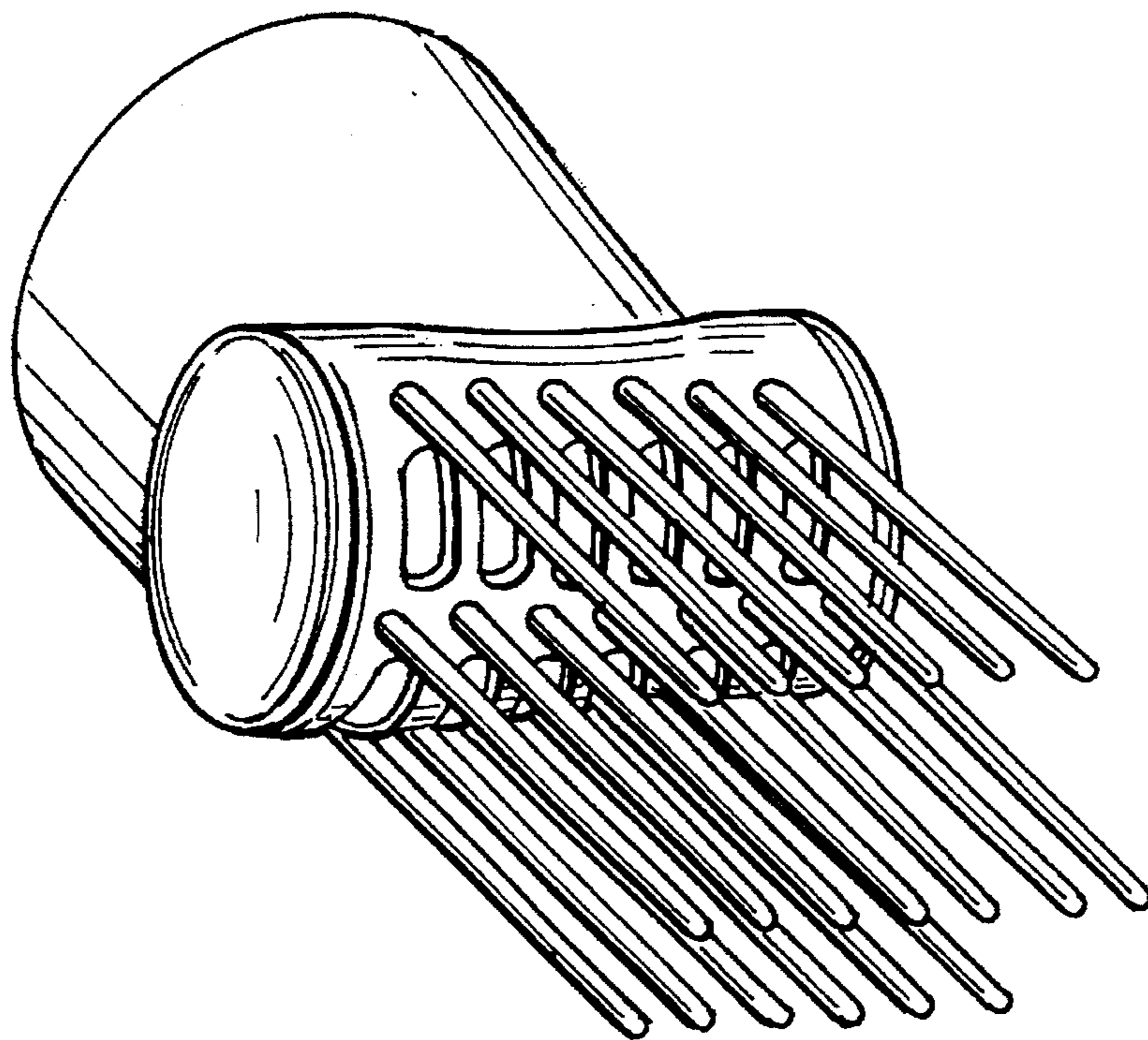
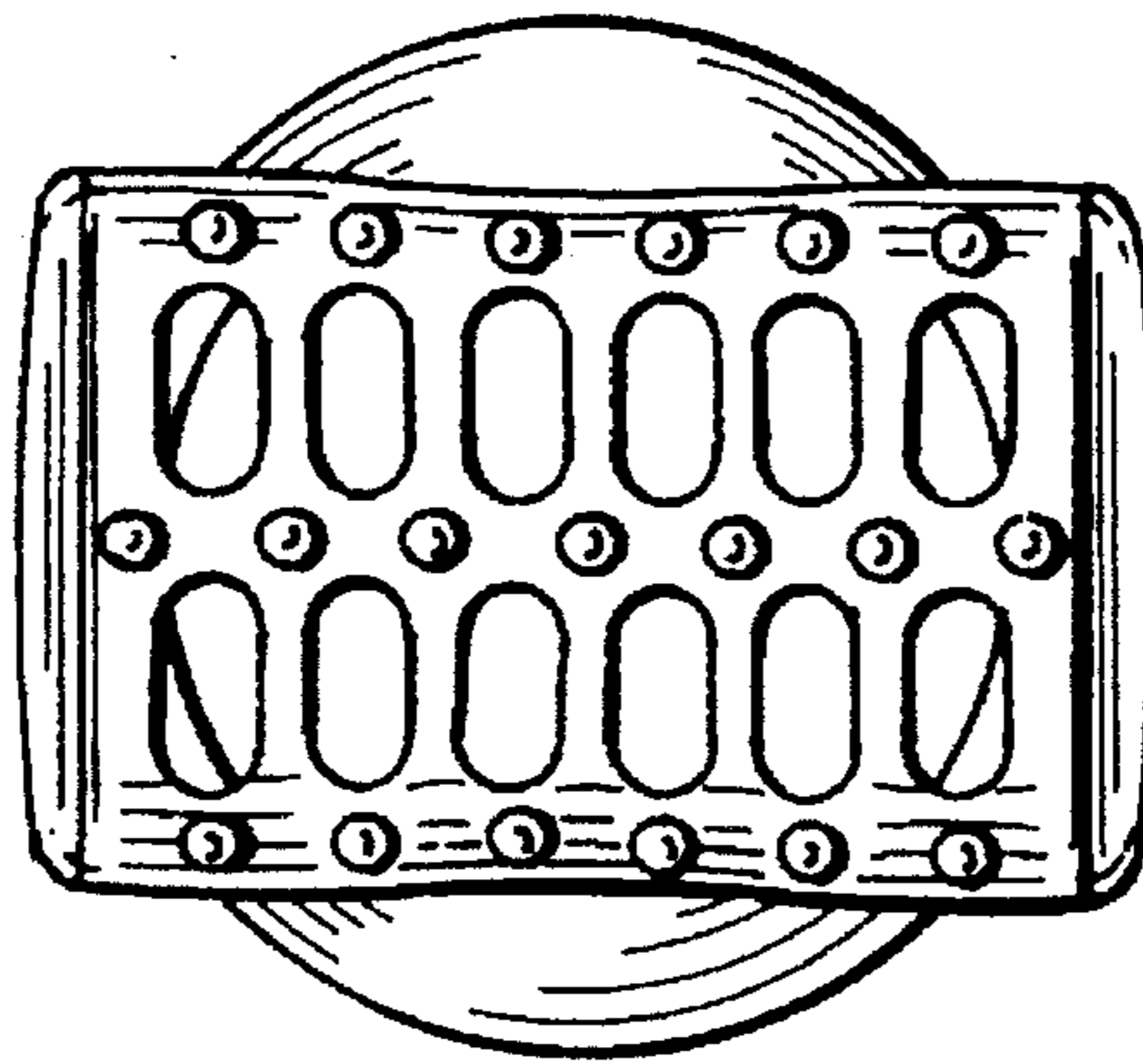
FIG. 1 is a front view of a hair dryer styling head showing my new design;  
FIG. 2 is a top view thereof, the bottom view being identical thereto;  
FIG. 3 is a left side elevational view thereof, the right side being mirror symmetrical thereto; and,  
FIG. 4 is a perspective view thereof.

1 Claim, 2 Drawing Sheets

[56] **References Cited**  
**U.S. PATENT DOCUMENTS**  
D. 238,109 12/1975 Vitetta ..... D28/18  
D. 244,882 6/1977 Long et al. .... D28/18  
D. 256,846 9/1980 Haase ..... D28/18 X  
D. 349,585 8/1994 Rizzuto, Jr. .... D28/18  
3,477,447 11/1969 Eldrege ..... 132/212

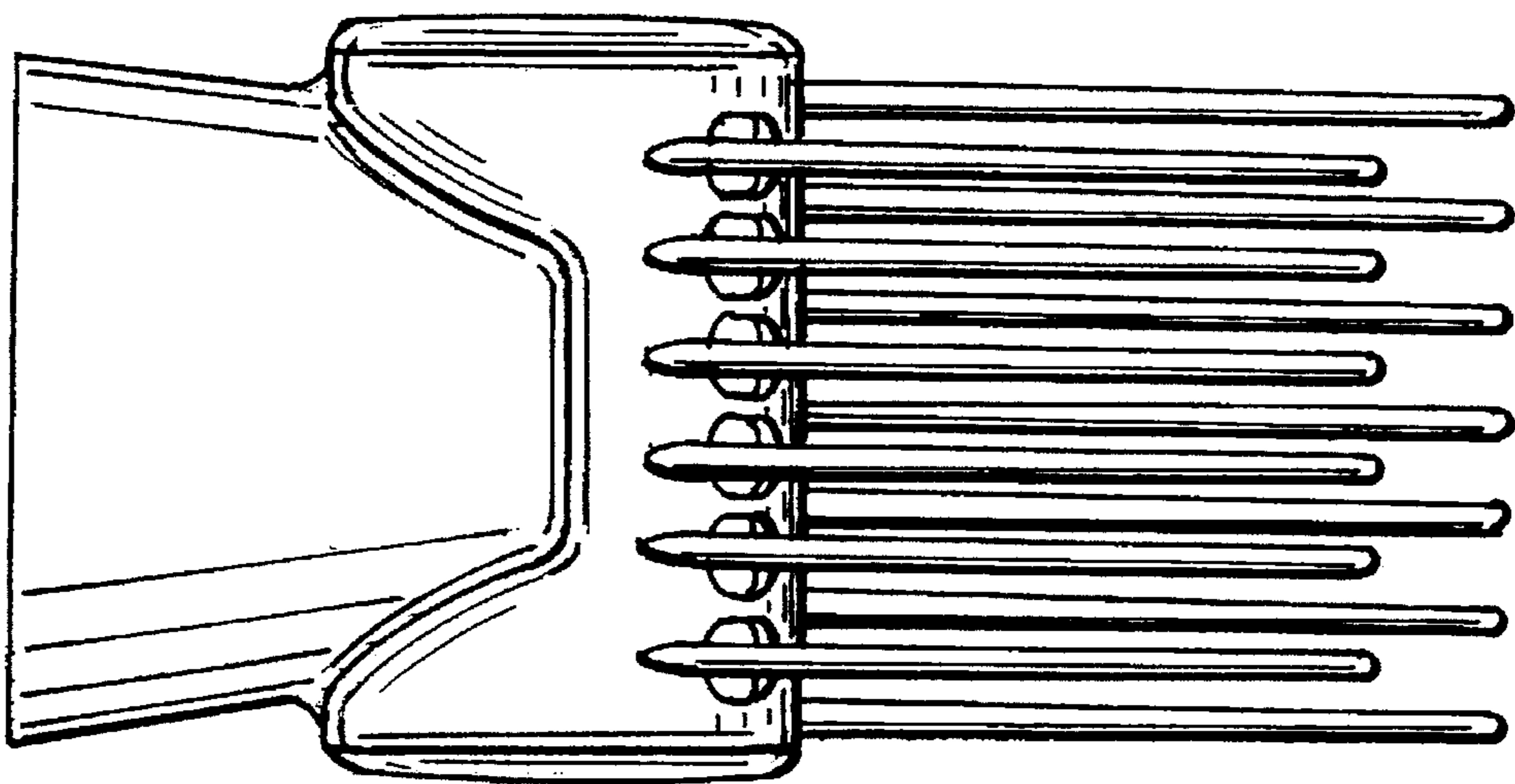
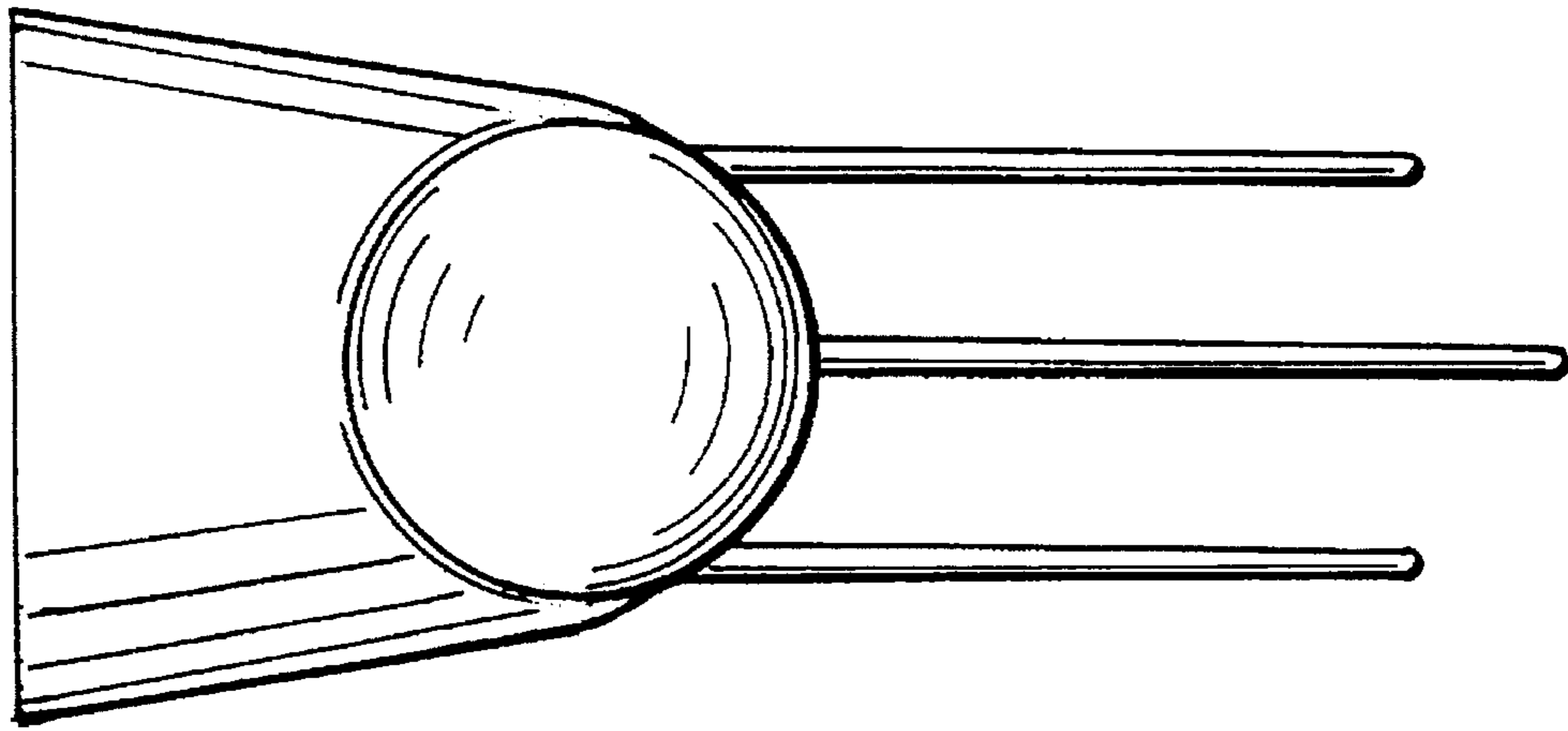


**FIG. 1**



**FIG. 4**

**FIG. 3**



**FIG. 2**