



US00D381760S

United States Patent [19]
Costa

[11] **Patent Number: Des. 381,760**

[45] **Date of Patent: **Jul. 29, 1997**

[54] **LUMINAIRE FOR LUMINESCENT LIGHTING TUBES**

[75] **Inventor: Paul D. Costa, Burlingame, Calif.**

[73] **Assignee: Videssence Inc., Burlingame, Calif.**

[**] **Term: 14 Years**

[21] **Appl. No.: 56,121**

[22] **Filed: Jun. 24, 1996**

[51] **LOC (6) Cl. 26-05**

[52] **U.S. Cl. D26/76**

[58] **Field of Search D26/24, 72, 75, 226/76, 77, 78, 81, 85; 362/147, 218, 221, 222, 223, 224, 219**

[56] **References Cited**

U.S. PATENT DOCUMENTS

D. 140,504	3/1945	Gleason	D26/76
D. 161,700	1/1951	Marker	D26/76
4,464,707	8/1984	Forrest	362/222

OTHER PUBLICATIONS

Crouse-Hinds Catalog Page, Fluorescent Lighting Fixture.

Primary Examiner—Susan J. Lucas

Attorney, Agent, or Firm—David E. Newhouse

[57] **CLAIM**

The ornamental design for a luminaire for luminescent lighting tubes, as shown and described.

DESCRIPTION

FIG. 1 is a perspective view of my new design for a luminaire for luminescent lighting tubes;

FIG. 2 shows a front elevation view of my new design for a luminaire for luminescent lighting tubes shown in FIG. 1;

FIG. 3 is a top plan view my new design for a luminaire for luminescent lighting tubes shown in FIG. 1;

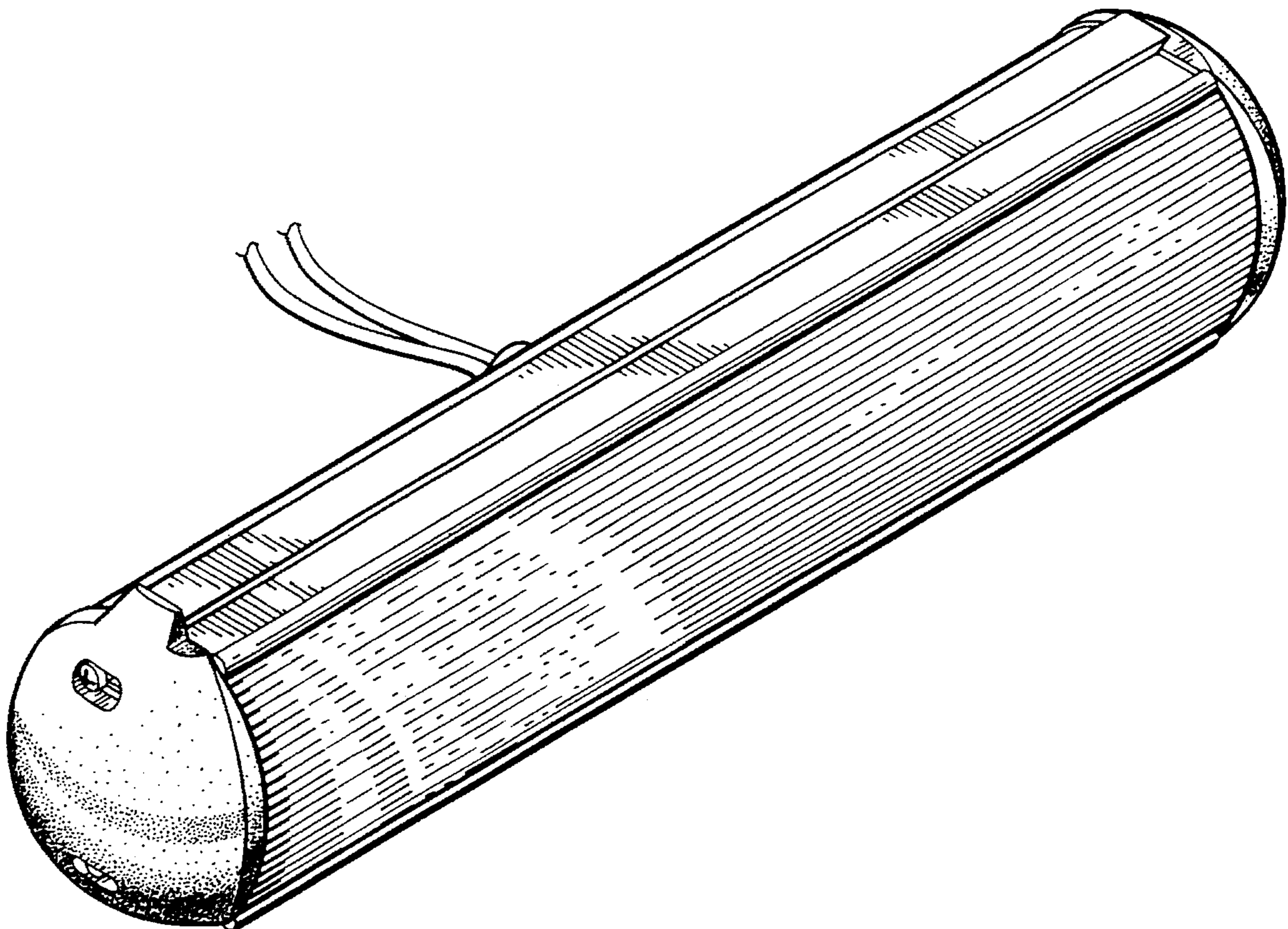
FIG. 4 is back elevation view of my new design for a luminaire for luminescent lighting tubes shown in FIG. 1;

FIG. 5 is a bottom plan view of my new design for a luminaire for luminescent lighting tubes shown in FIG. 1;

FIG. 6 is a left end elevation view of my new design for a luminaire for luminescent lighting tubes shown in FIG. 1; and,

FIG. 7 is a right end elevation view of my new design for a luminaire for luminescent lighting tubes shown in FIG. 1.

1 Claim, 4 Drawing Sheets



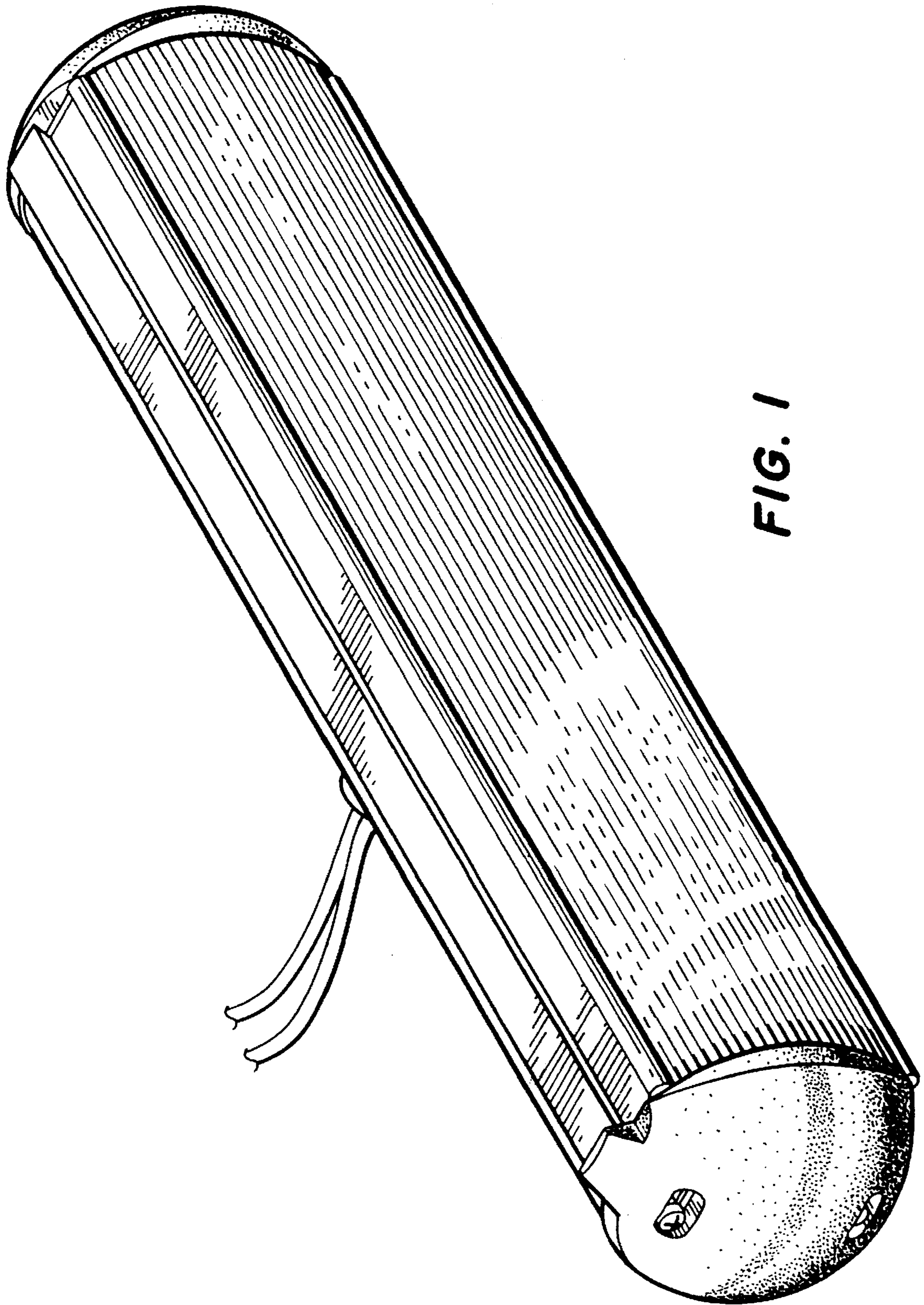


FIG. 1

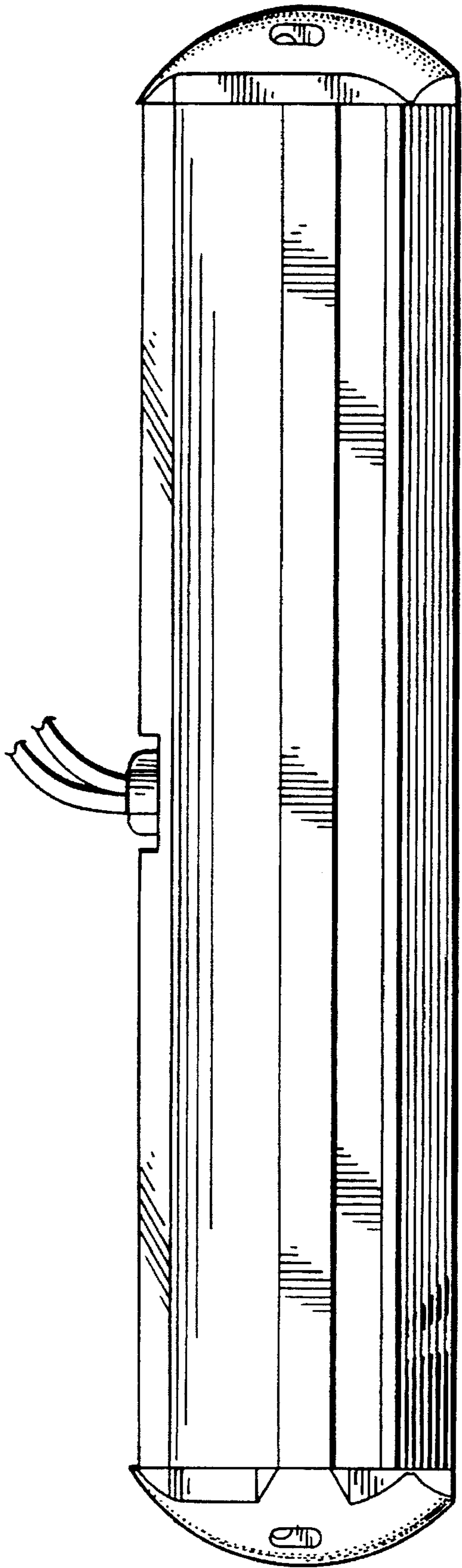


FIG. 3

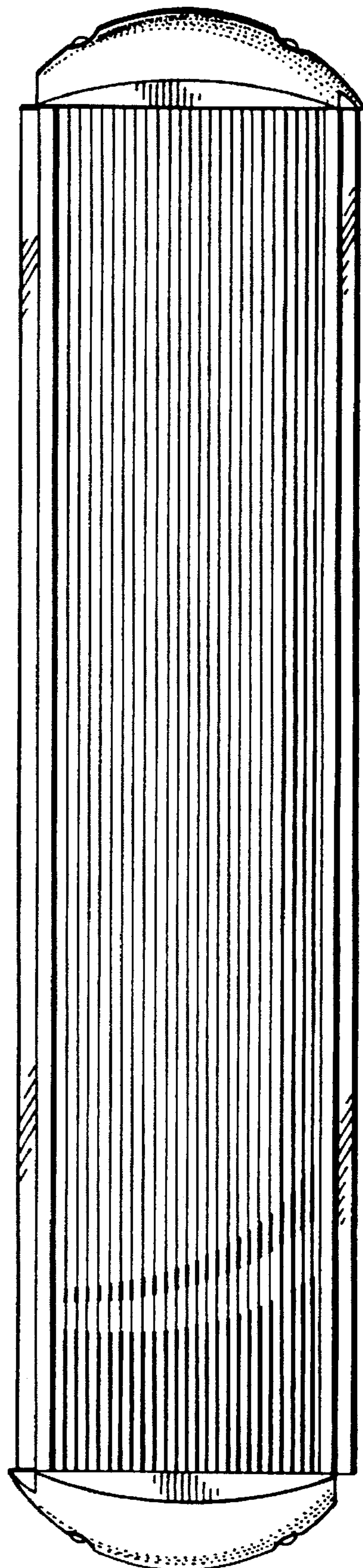


FIG. 2

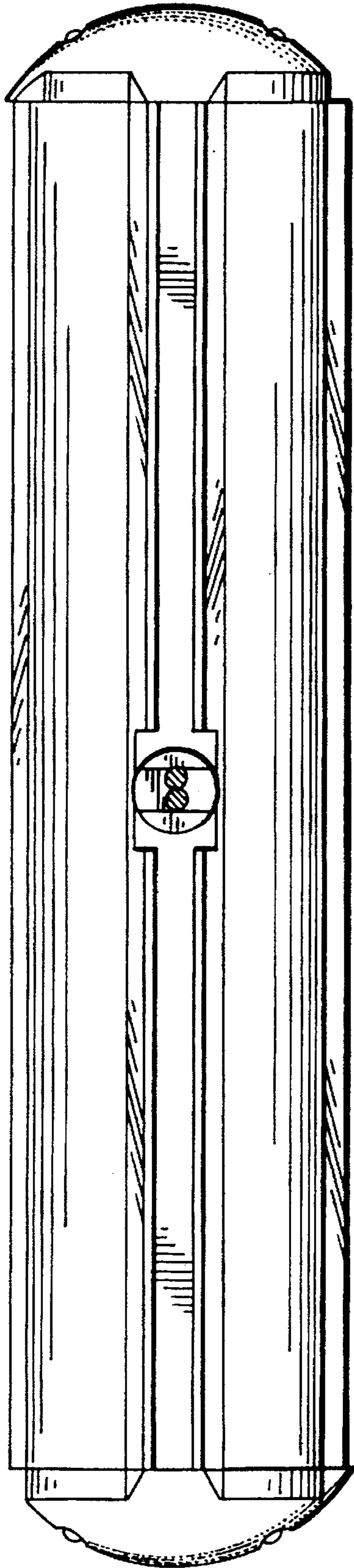


FIG. 4

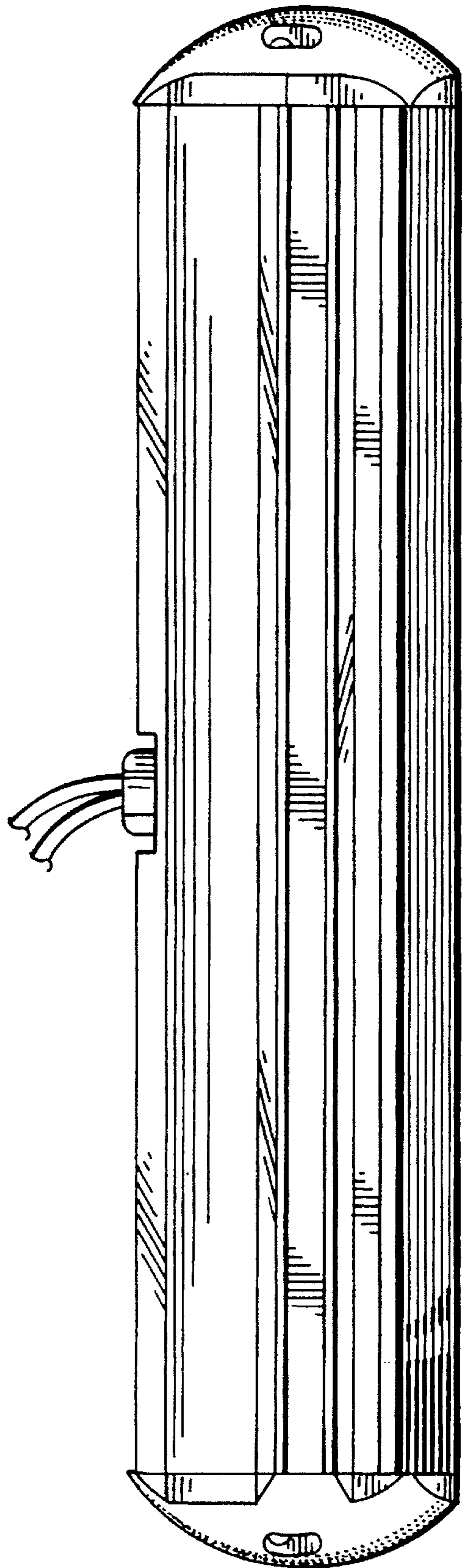


FIG. 5

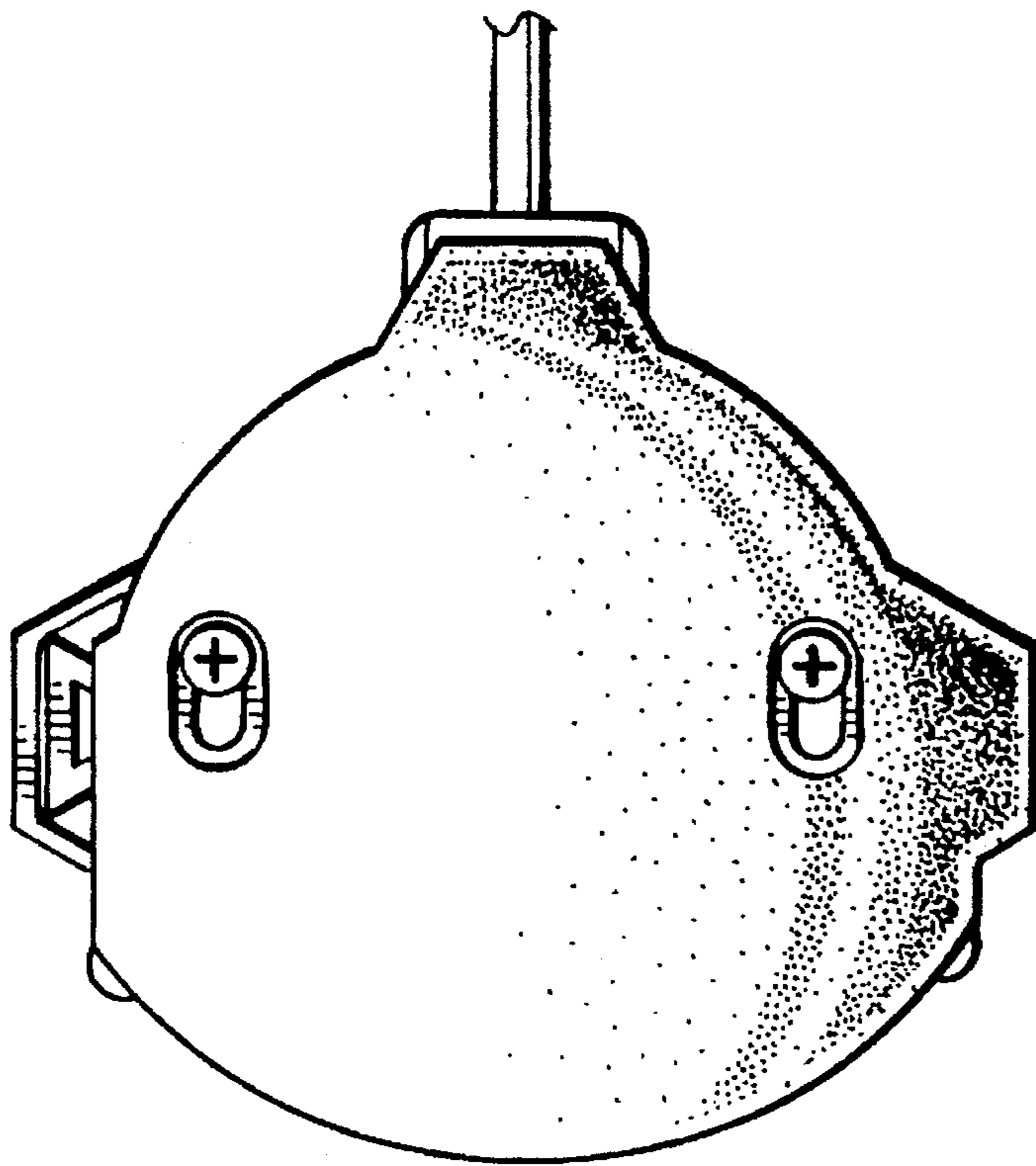


FIG. 6

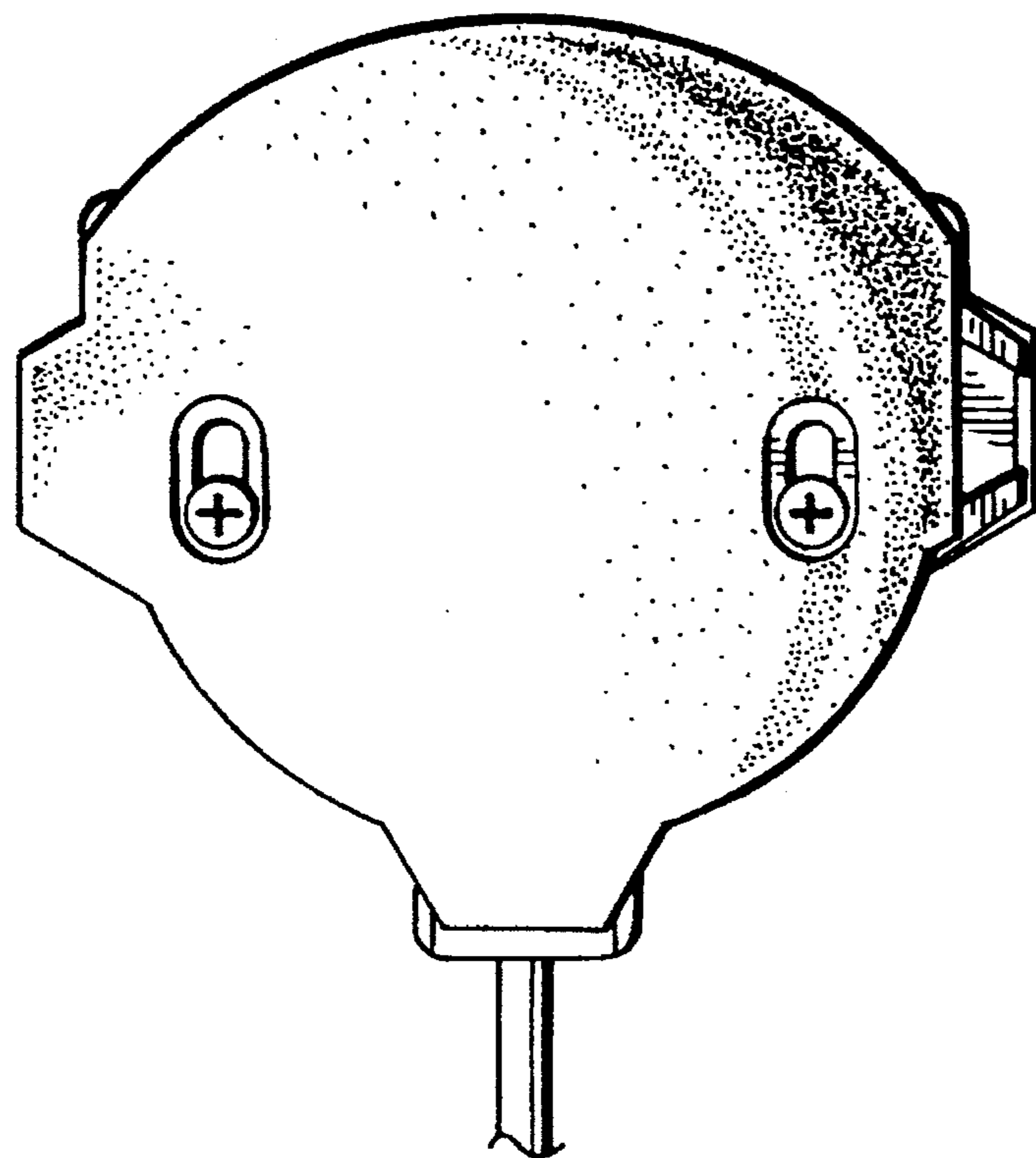


FIG. 7