



US00D381759S

United States Patent [19]
Yeh

[11] **Patent Number: Des. 381,759**
[45] **Date of Patent: **Jul. 29, 1997**

[54] **MULTIPURPOSE TREE LAMP**

[76] **Inventor: John Yeh, 660 S. Aberdeen, Anaheim Hills, Calif. 90266**

[**] **Term: 14 Years**

[21] **Appl. No.: 44,130**

[22] **Filed: Sep. 18, 1995**

[51] **LOC (6) Cl. 26-05**

[52] **U.S. Cl. D26/106; D26/106**

[58] **Field of Search D26/93, 102-112, D26/61, 63, 65; 362/410-414, 269, 275, 287, 418, 419, 427**

[56] **References Cited**

U.S. PATENT DOCUMENTS

D. 353,904 12/1994 Swanson D26/63

OTHER PUBLICATIONS

Murray Feiss Corp. "Lite Chips" Catalog, Jan. 1988, p. 13, Floor Lamp #T1018.

Primary Examiner—Susan J. Lucas
Attorney, Agent, or Firm—Francis X. LoJacono

[57] **CLAIM**

The ornamental design for an multipurpose tree lamp, as shown and described.

DESCRIPTION

FIG. 1 is a front elevational view of a multipurpose tree lamp, showing my new design thereof;
FIG. 2 is a left side elevational view thereof;
FIG. 3 is a right side elevational view thereof;
FIG. 4 is a rear elevational view thereof;
FIG. 5 is a top plan view thereof; and
FIG. 6 is a bottom plan view thereof.

1 Claim, 2 Drawing Sheets

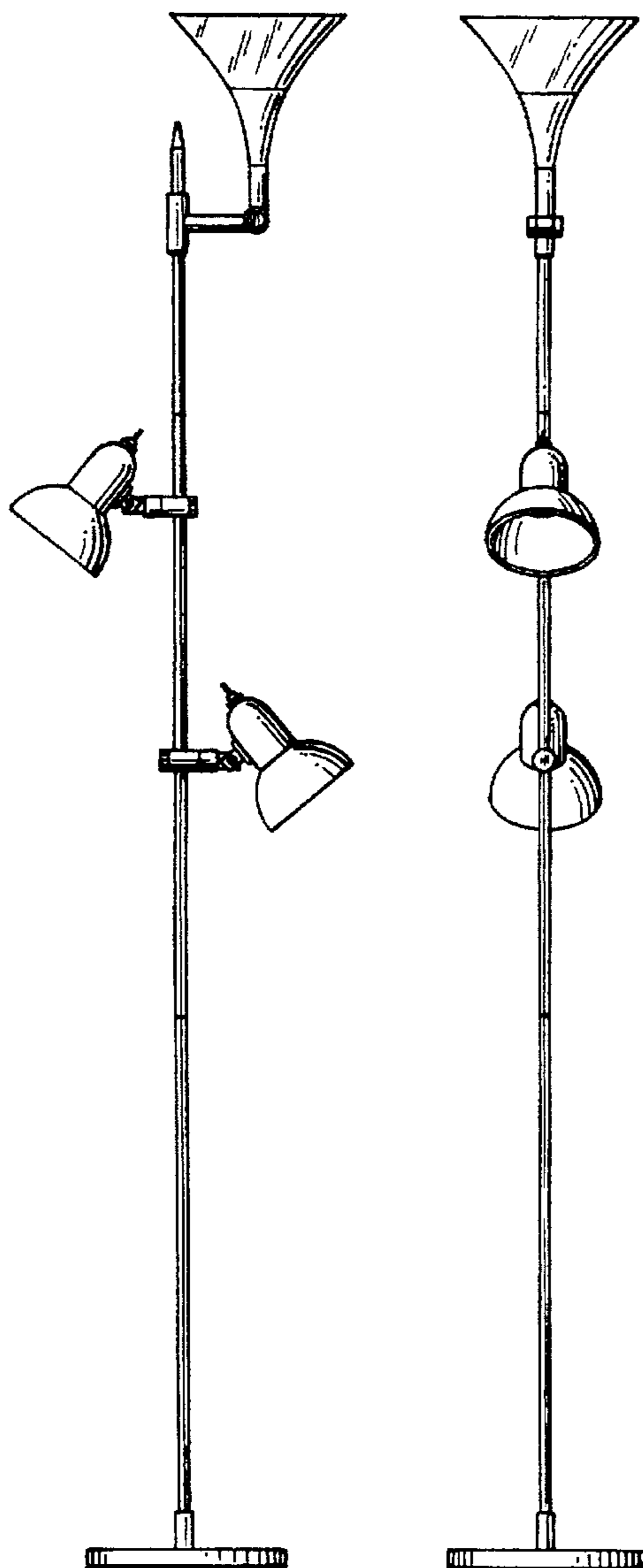


FIG. 1

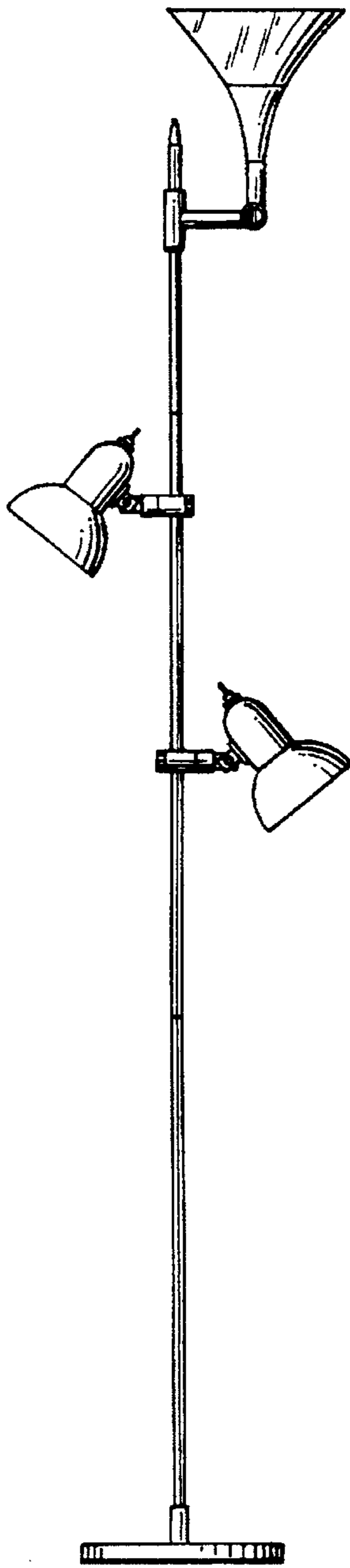


FIG. 2

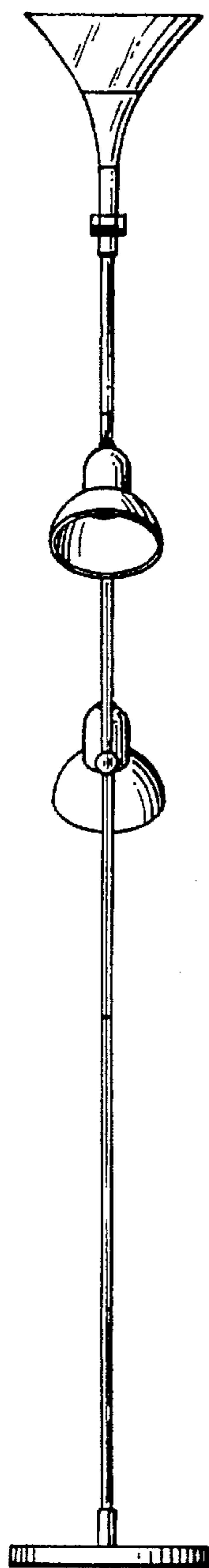


FIG. 3

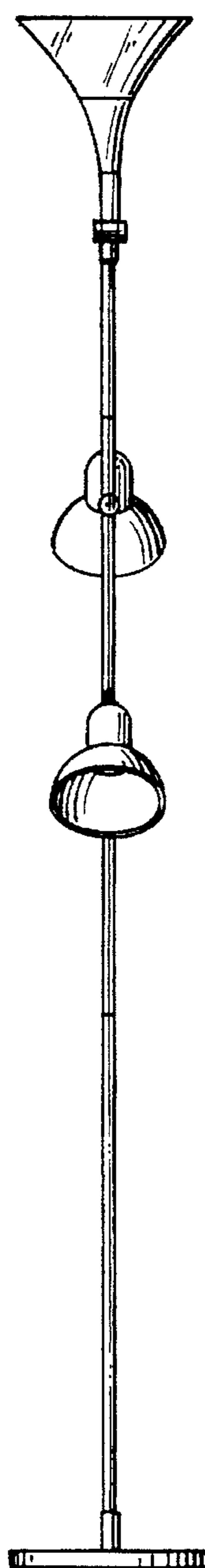


FIG. 4

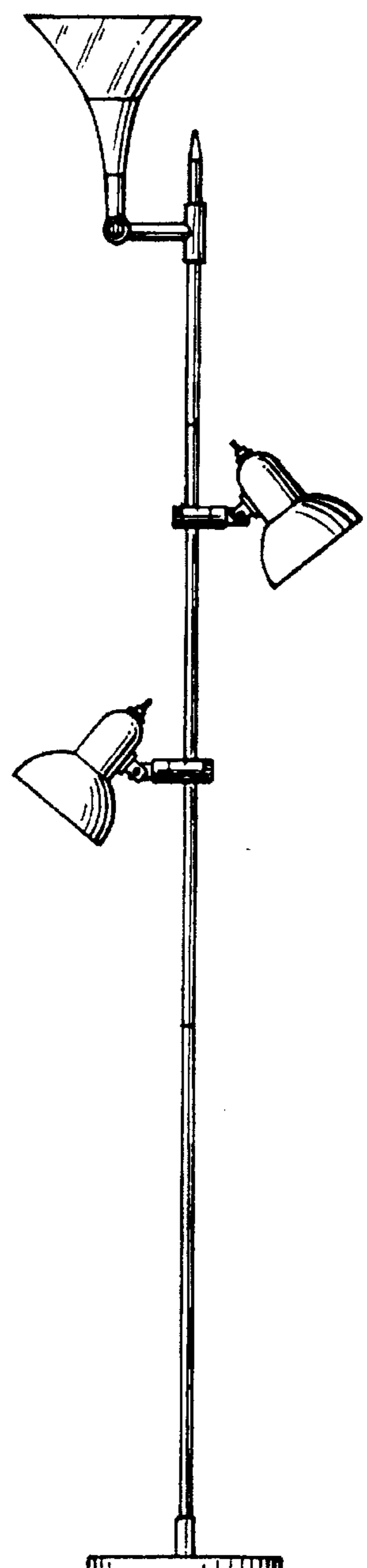


FIG. 5

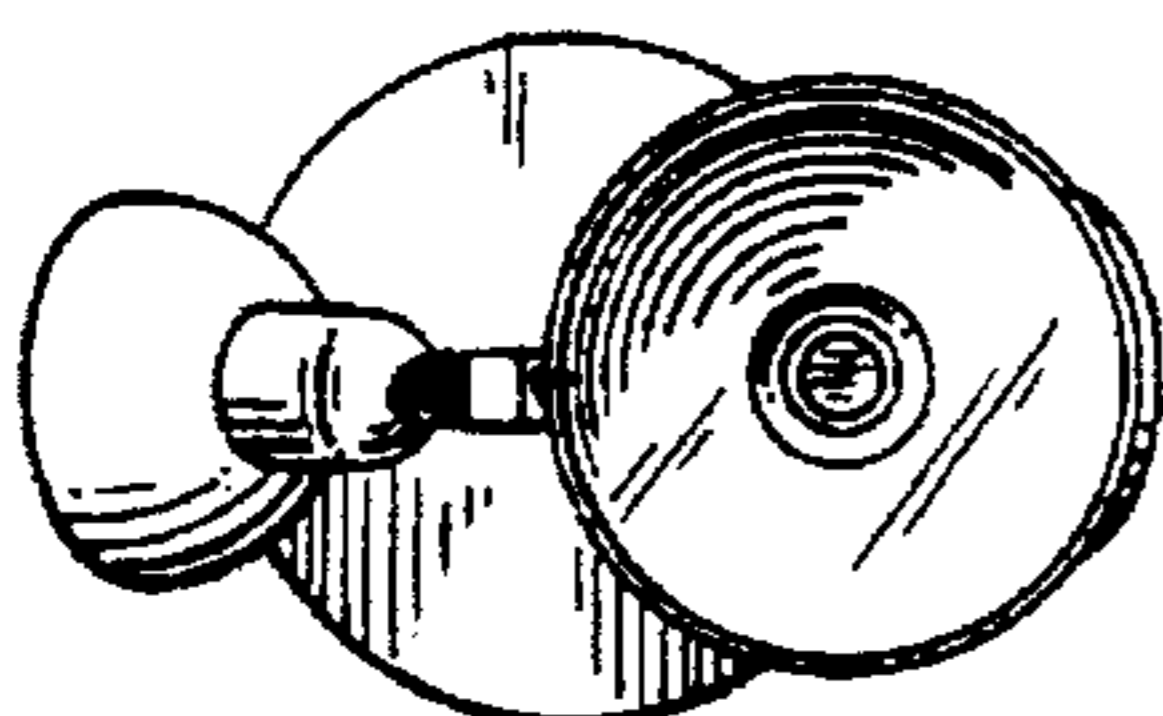


FIG. 6

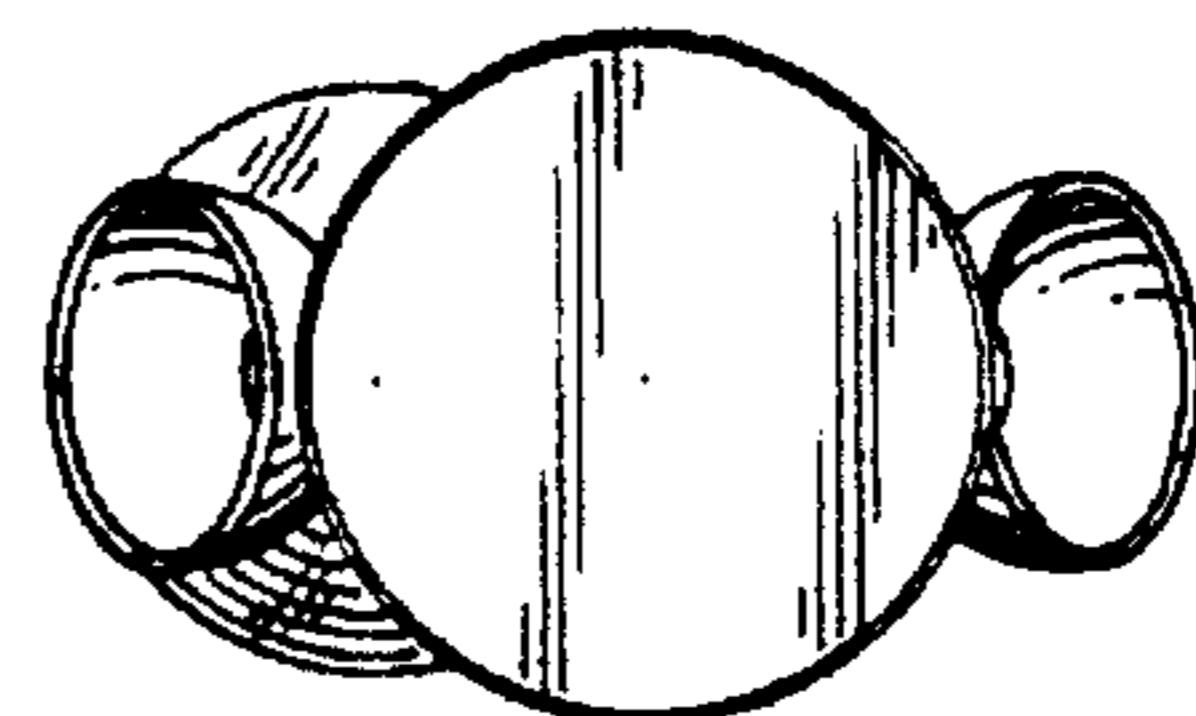


FIG. 7

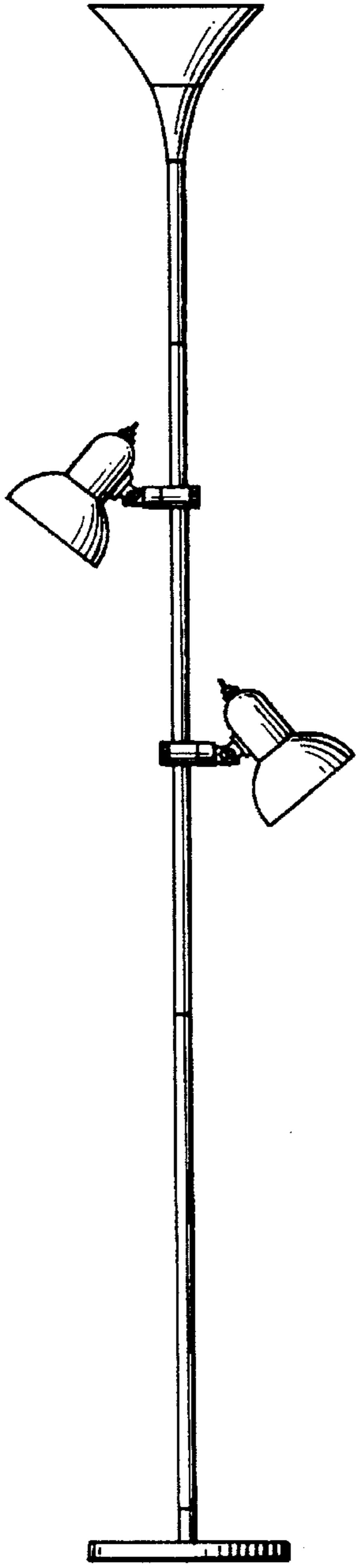


FIG. 8

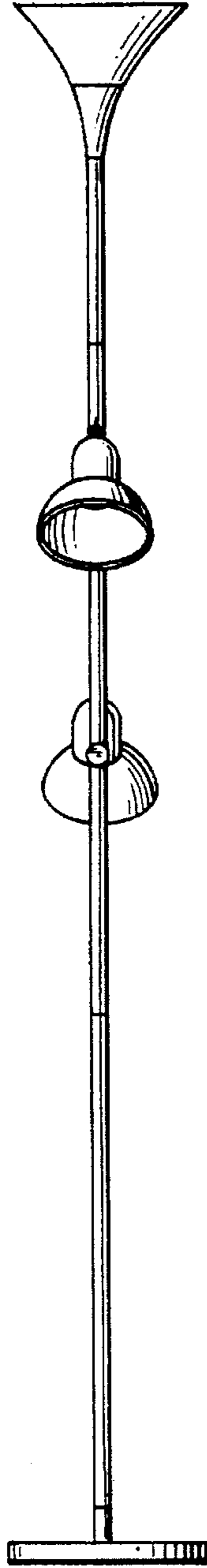


FIG. 9

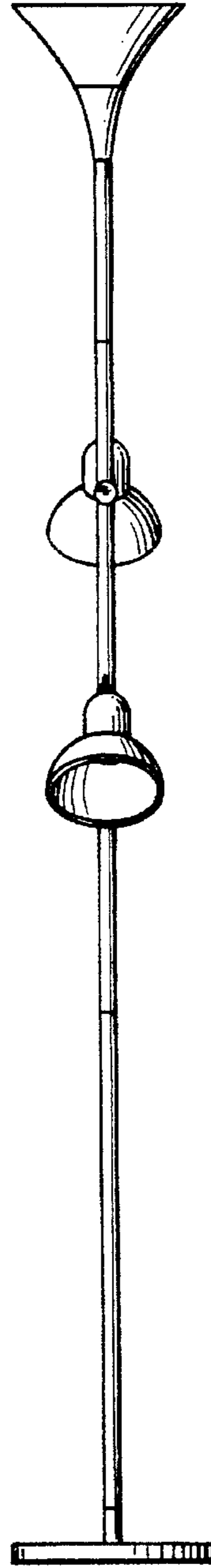


FIG. 10

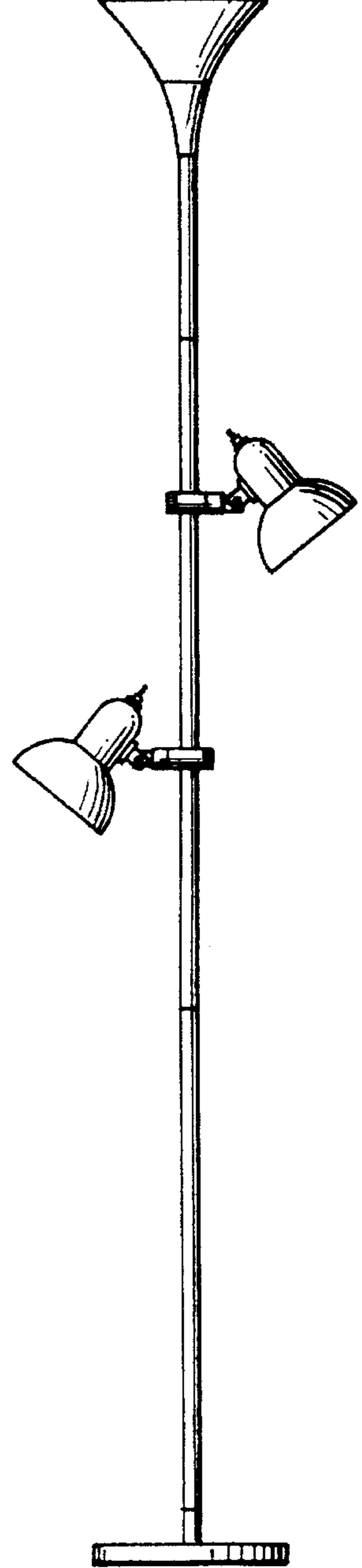


FIG. 11

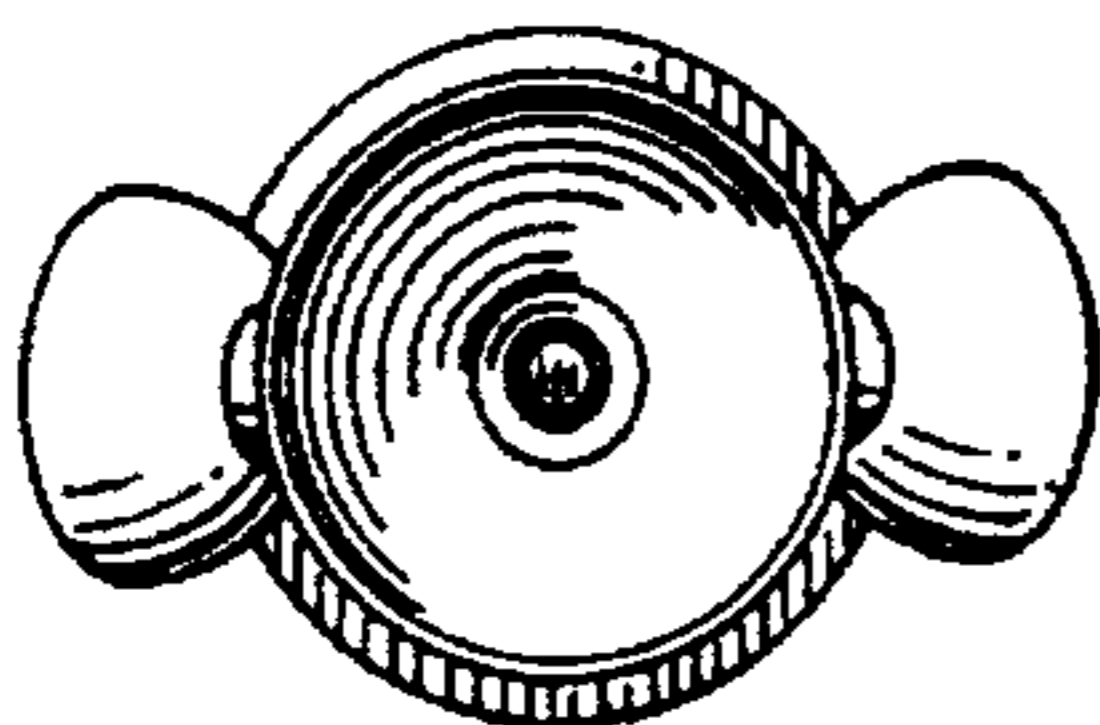


FIG. 12

