



US00D381753S

United States Patent [19]

Ellenberger et al.

[11] Patent Number: **Des. 381,753**

[45] Date of Patent: ****Jul. 29, 1997**

[54] FLANGED NIPPLE

[75] Inventors: **J. Phillip Ellenberger**, Spring; **James W. Bordwine**, Houston, both of Tex.

[73] Assignee: **WFI International, Inc.**, Houston, Tex.

[**] Term: **14 Years**

[21] Appl. No.: **46,445**

[22] Filed: **Nov. 15, 1995**

[51] LOC (6) Cl. **24-04**

[52] U.S. Cl. **D24/196**

[58] Field of Search D24/196, 194, D24/193; 606/234, 235, 236; 215/11.1-11.6

[56] References Cited

U.S. PATENT DOCUMENTS

D. 223,972	6/1972	Ritsi	D24/196
D. 243,456	2/1977	Ryan	D23/40
D. 243,457	2/1977	Ryan	D23/40
D. 254,266	2/1980	Tableriou	D23/40
D. 262,397	12/1981	Ryan	D23/40
D. 273,515	4/1984	Fabjancic	D24/196 X
D. 282,867	3/1986	Ryan et al.	D23/40
D. 282,961	3/1986	Ryan	D23/40
D. 286,071	10/1986	Fuller	D24/196
D. 293,710	1/1988	Woods	D23/265
2,109,915	3/1938	Watts	29/157
3,022,915	2/1962	Mullin	215/11.1
3,254,909	6/1966	Ver Nooy	285/189

FOREIGN PATENT DOCUMENTS

1 024 786	9/1985	United Kingdom .
1 025 876	10/1985	United Kingdom .

OTHER PUBLICATIONS

European Products "Promat Weldoflange." Promat Nipoflange, and Promat Reinforced Nipoflange, pp. 4, 6, 8-12, 25-30, undated.

WFI Spec. Sheet Therma-Connections, p. 34, Sep. 1980.

WFI International, Inc., Product Brochure Catalog, 1994.

Primary Examiner—Stella Reid

Attorney, Agent, or Firm—Pravel, Hewitt, Kimball & Krieger

[57] CLAIM

The ornamental design for flanged nipple, as shown and described.

DESCRIPTION

FIG. 1 is a perspective view of a flanged nipple showing my new design;

FIG. 2 is a top plan view thereof;

FIG. 3 is a side elevational view thereof, the side elevational view being the same from all sides;

FIG. 4 is a bottom plan view thereof;

FIG. 5 is a side elevational view of a first alternate embodiment of the flanged nipple shown in FIG. 1, the side elevational view being the same from all sides; and,

FIG. 6 is a top plan view of the first alternate embodiment shown in FIG. 5, the bottom plan view of the first alternate embodiment being identical to FIG. 4.

1 Claim, 3 Drawing Sheets

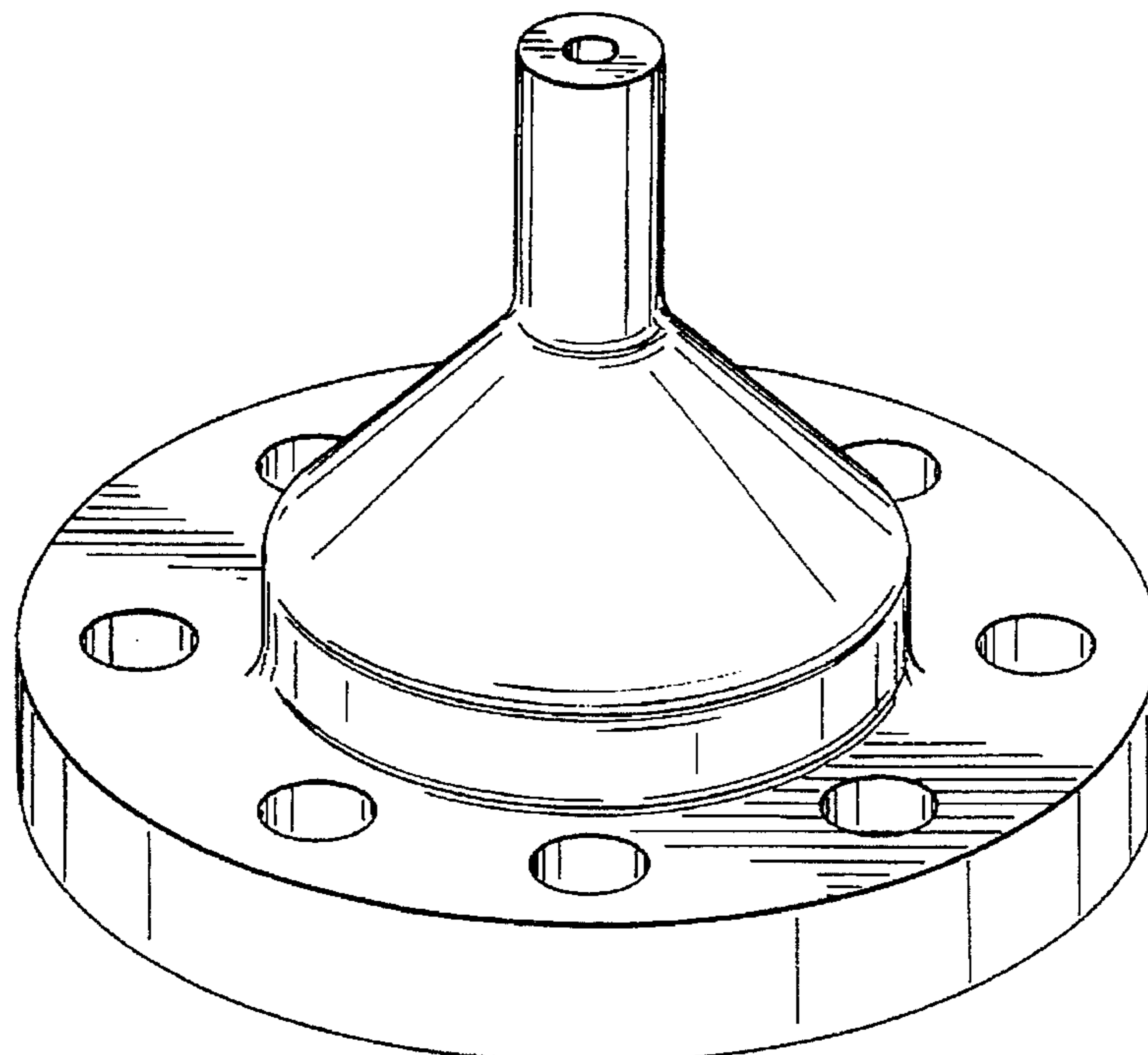


FIG. 1

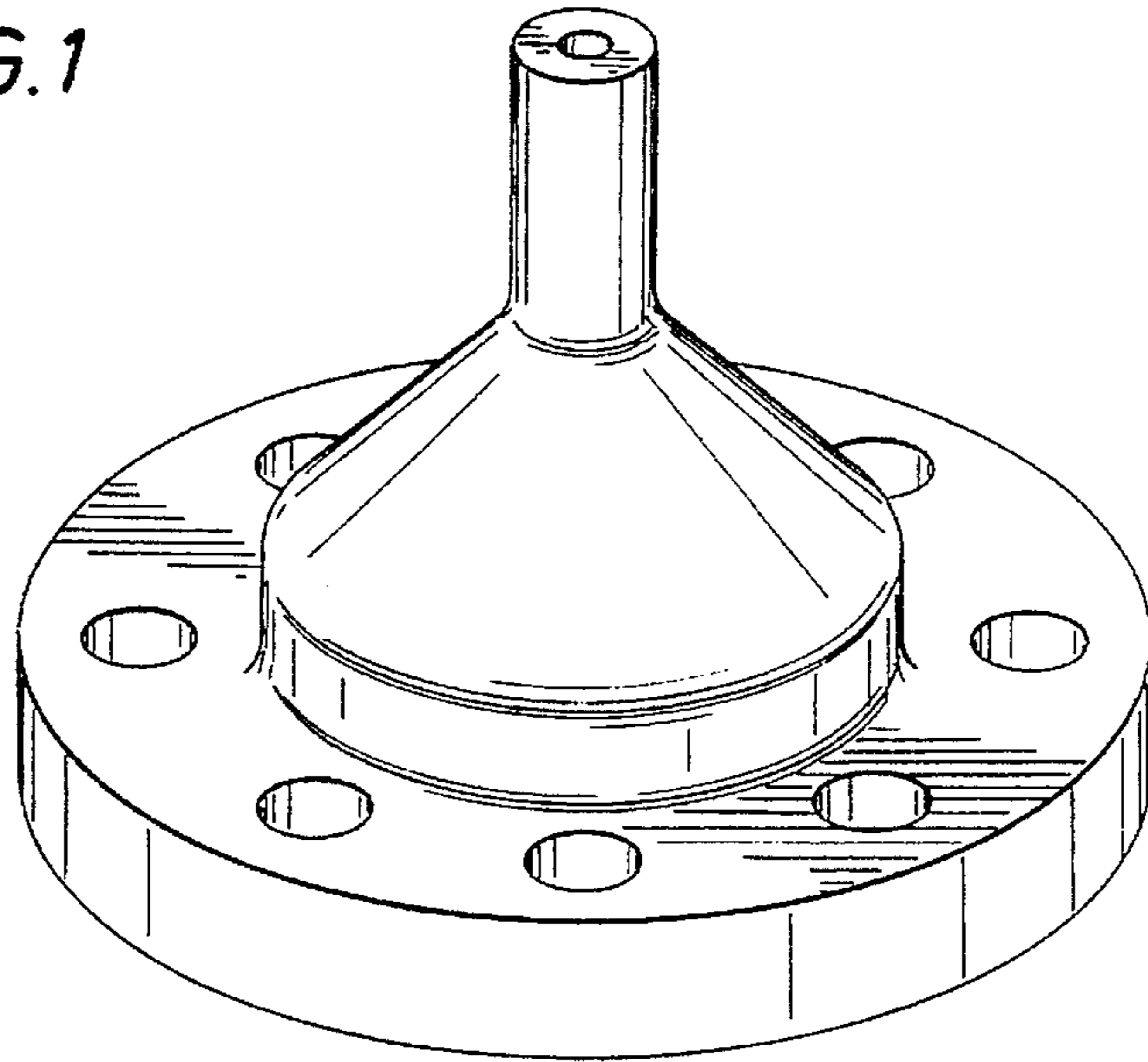


FIG. 2

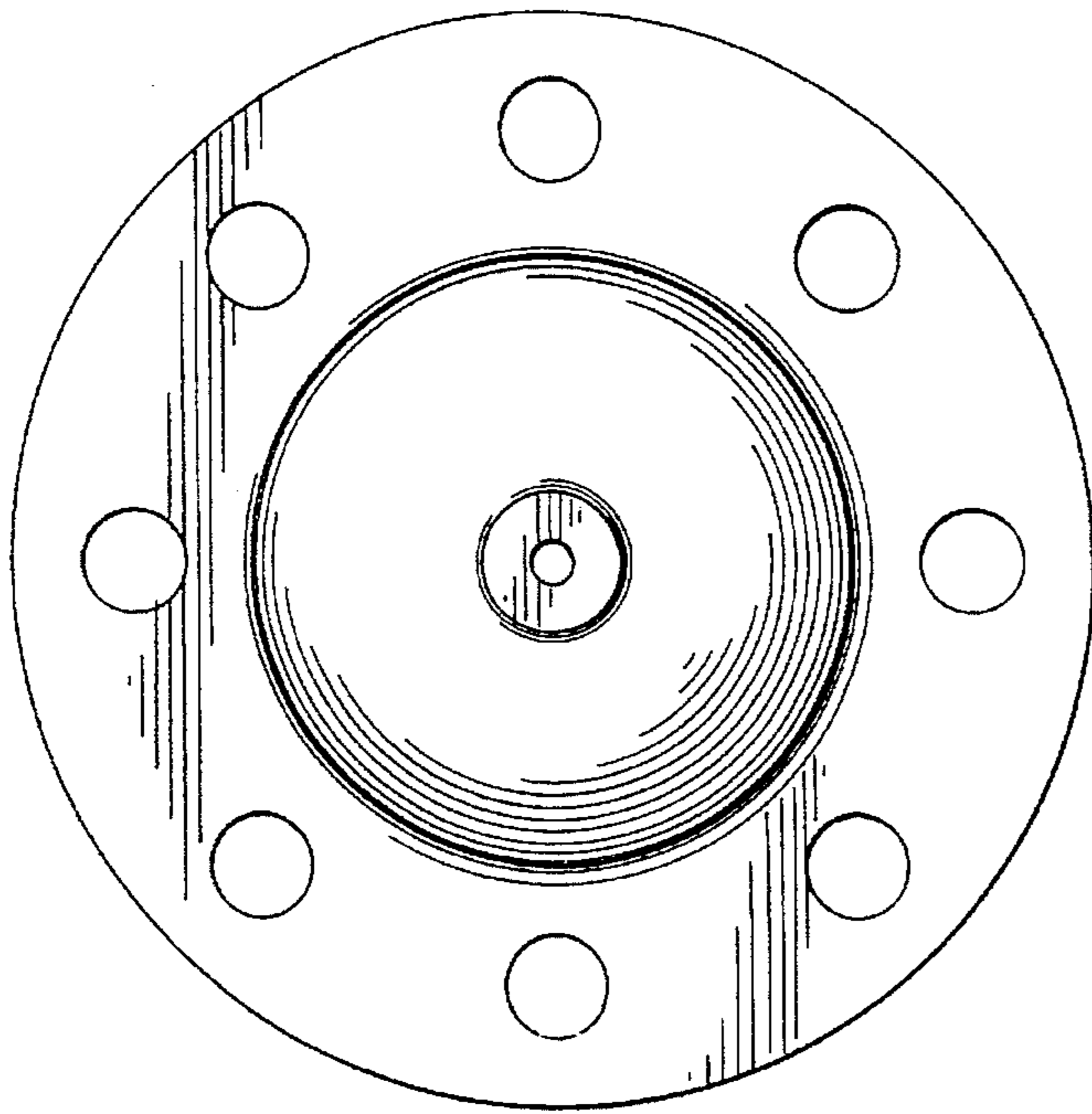


FIG. 3

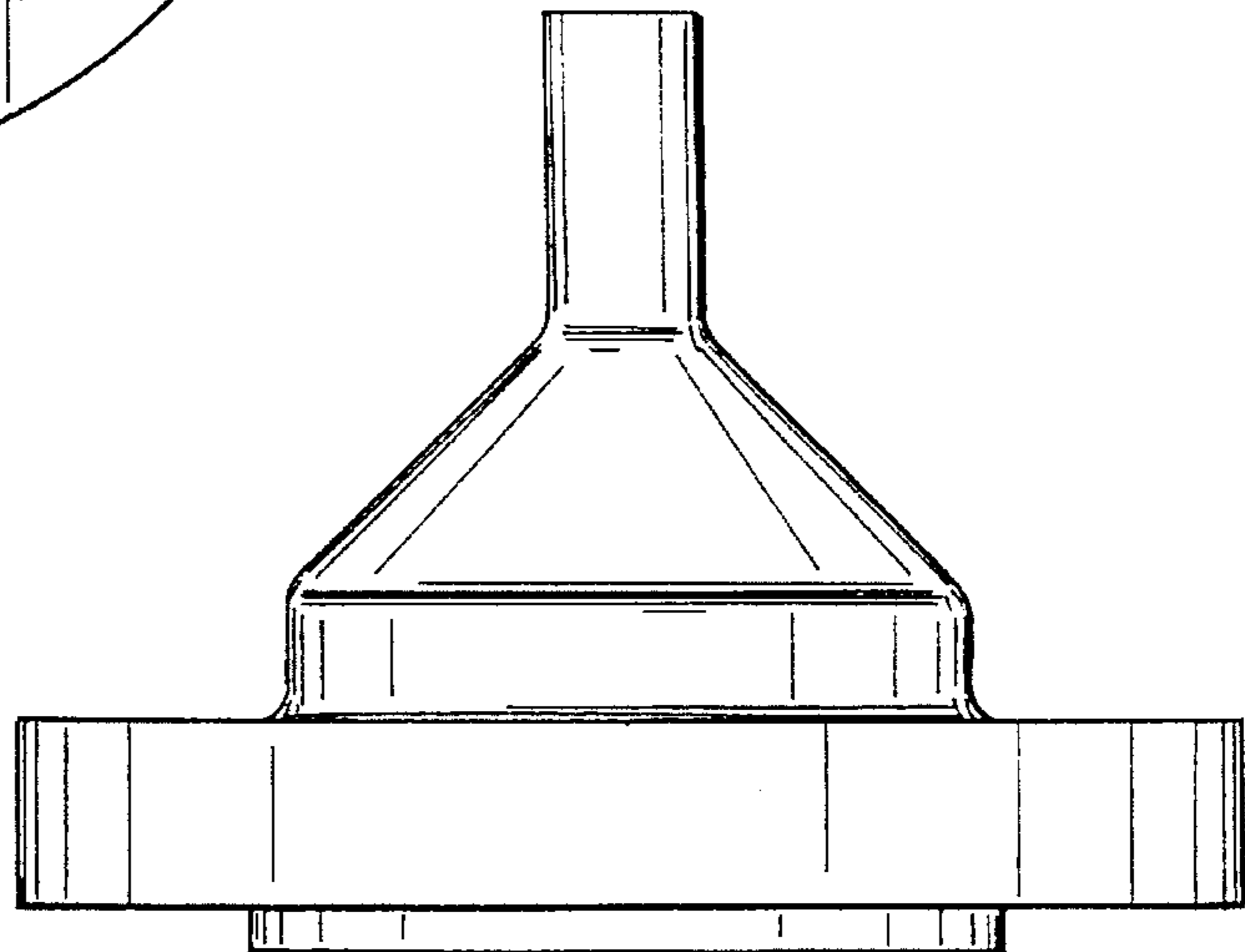


FIG. 4

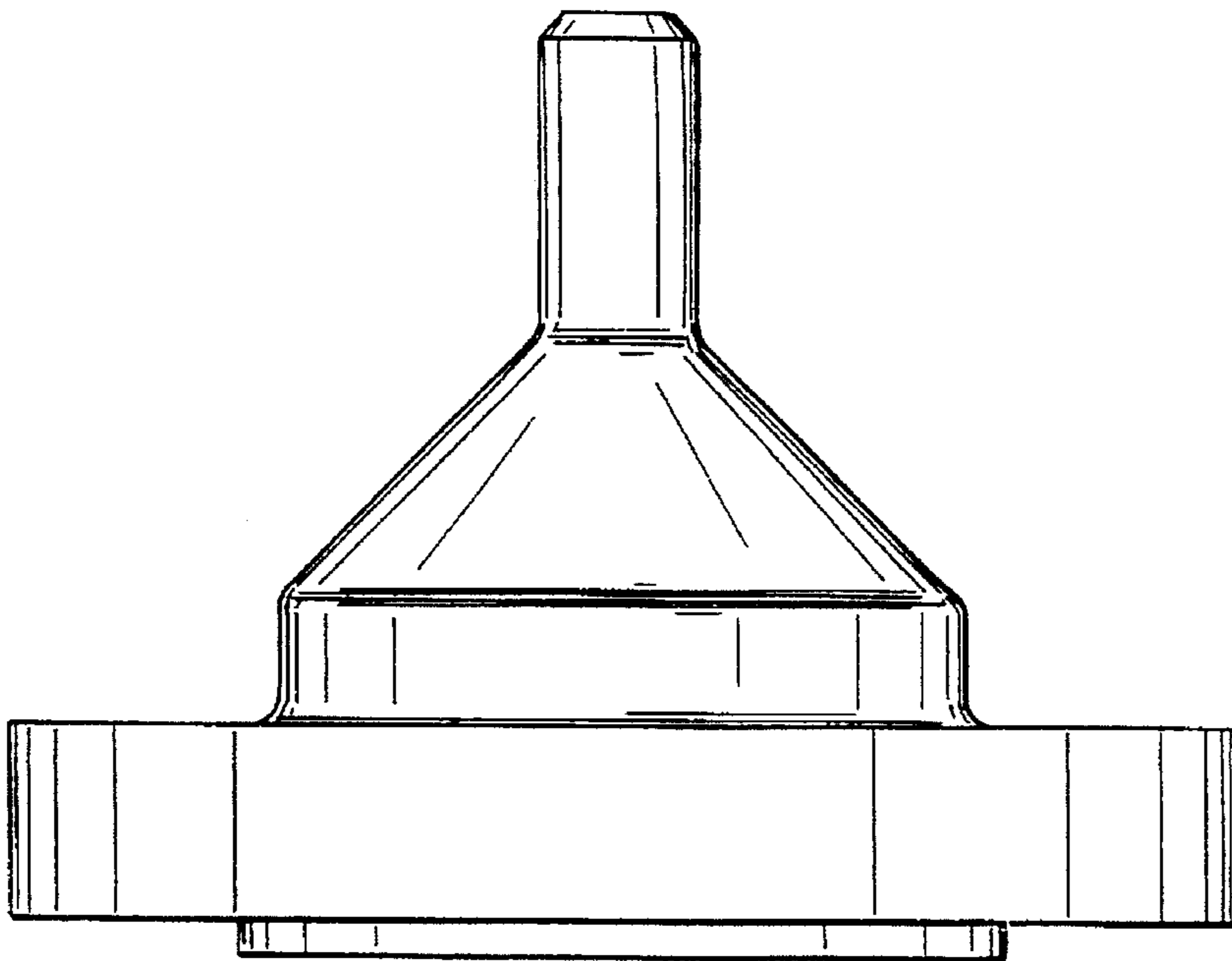
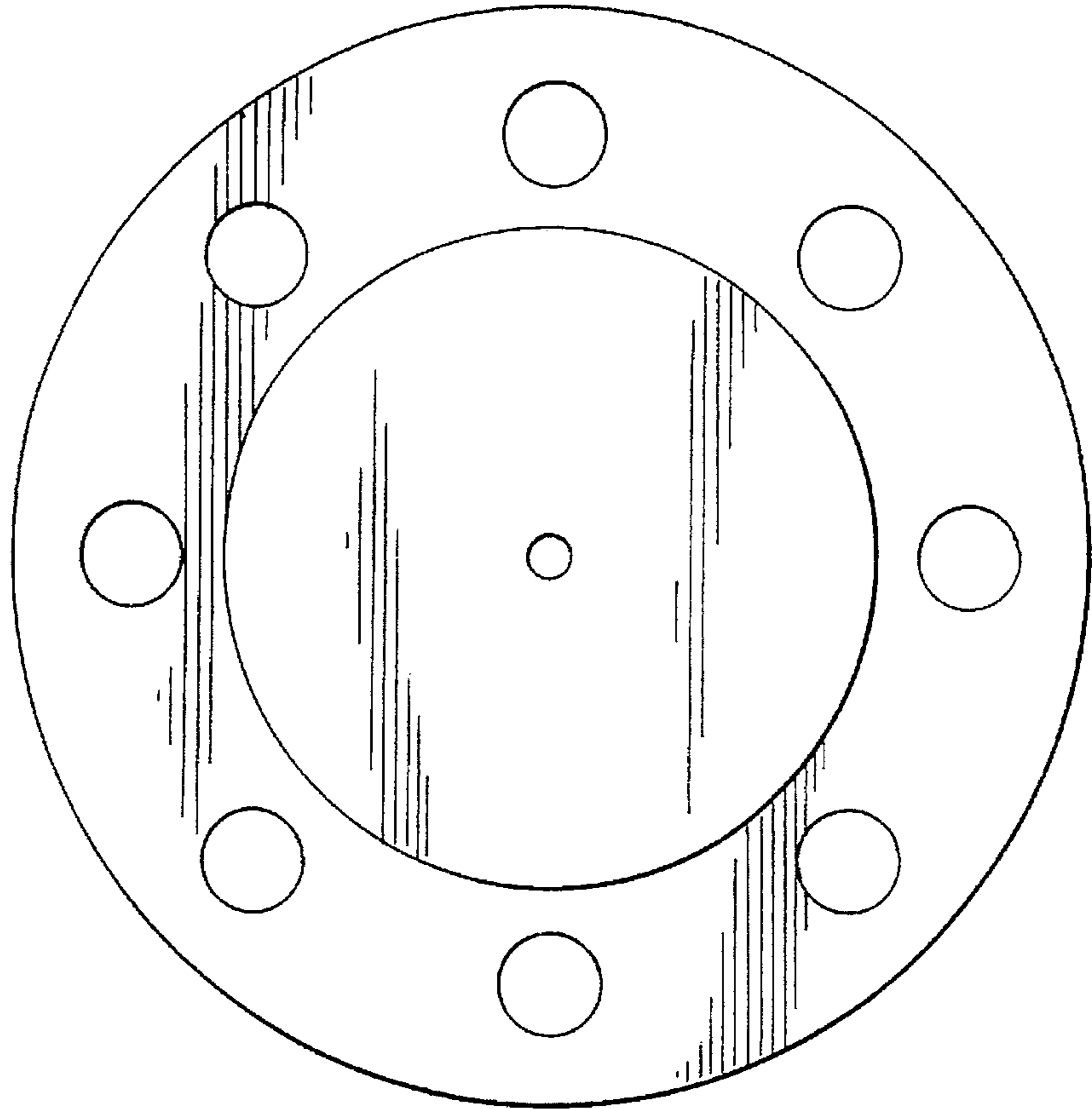


FIG. 5

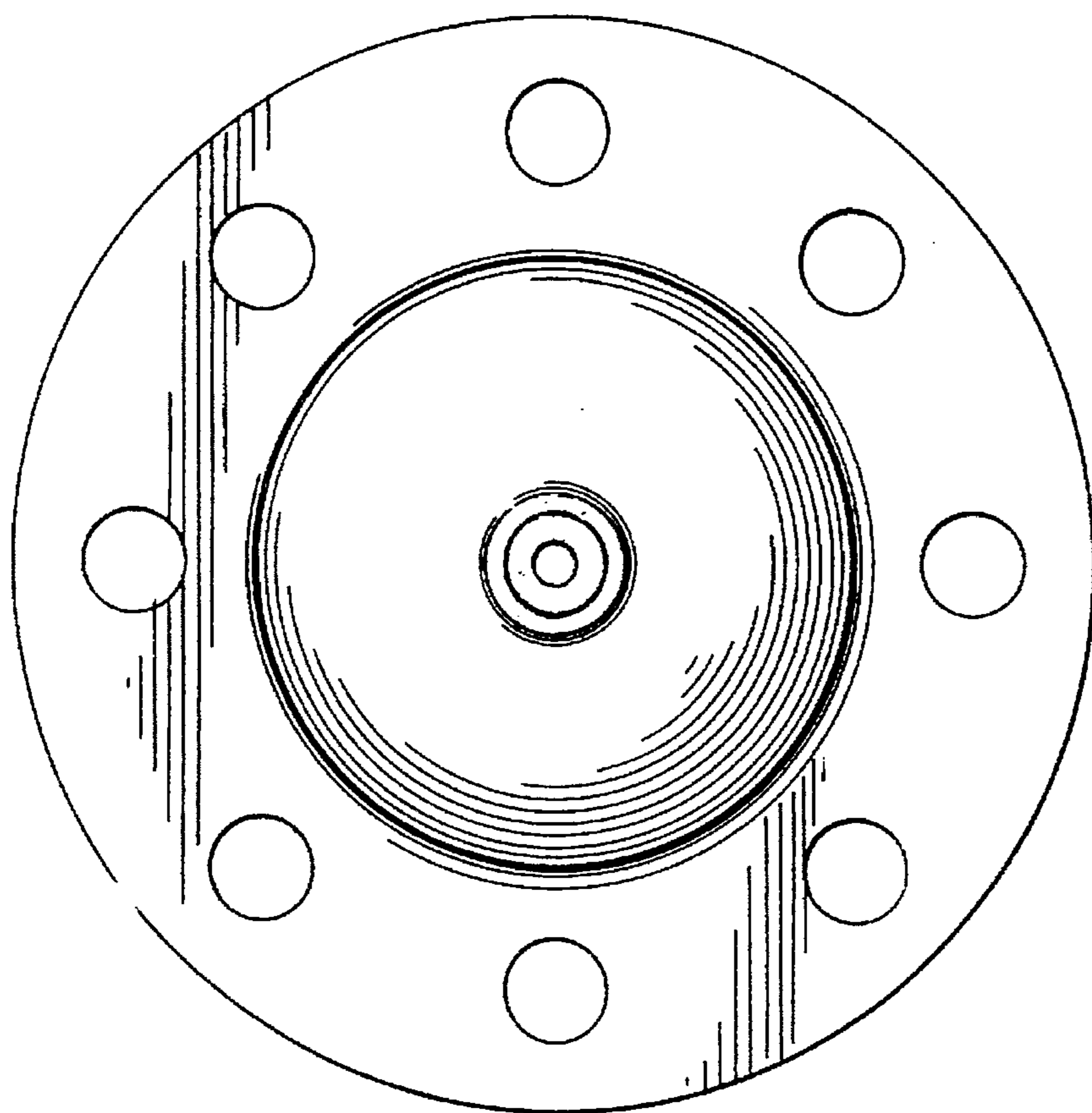


FIG. 6