



US00D381748S

# United States Patent [19]

Matsuda et al.

[11] Patent Number: **Des. 381,748**

[45] Date of Patent: **\*\*Jul. 29, 1997**

[54] **AUTOTRANSFUSION MACHINE**

4,033,345 7/1977 Sorenson et al. .... 604/4  
4,047,526 9/1977 Reynolds ..... 604/4

[75] Inventors: **Hari Matsuda**, Evanston; **Rick Mason**, Chicago; **Victor Lazzaro**, Skokie; **John Olson**, Evanston, all of Ill.

*Primary Examiner*—Stella Reid  
*Attorney, Agent, or Firm*—Ancel W. Lewis, Jr.

[73] Assignee: **Medtronic Electromedics, Inc.**, Parker, Colo.

[57] **CLAIM**

[\*\*] Term: **14 Years**

The ornamental design for an autotransfusion machine, as shown.

[21] Appl. No.: **49,814**

**DESCRIPTION**

[22] Filed: **Jan. 31, 1996**

FIG. 1 is an isometric view of an autotransfusion machine, showing our new design;

[51] LOC (6) Cl. .... **24-01**

FIG. 2 is a top plan view;

[52] U.S. Cl. .... **D24/169**

FIG. 3 is a front elevation;

[58] Field of Search ..... D24/169; 604/4, 604/6, 317, 319-321, 400

FIG. 4 is a right side elevation;

FIG. 5 is a left side elevation;

FIG. 6 is a rear elevation; and,

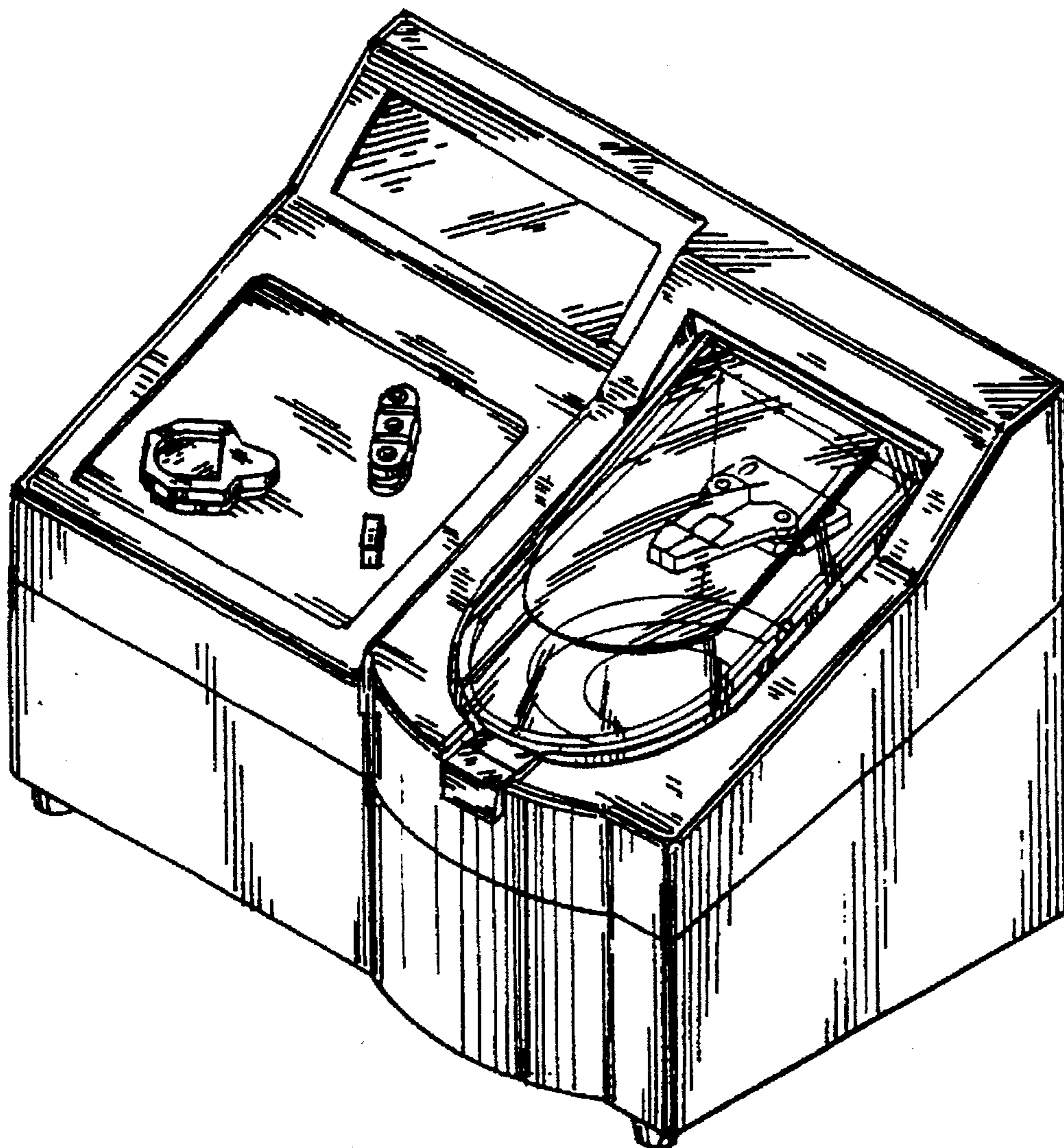
FIG. 7 is a bottom plan view.

[56] **References Cited**

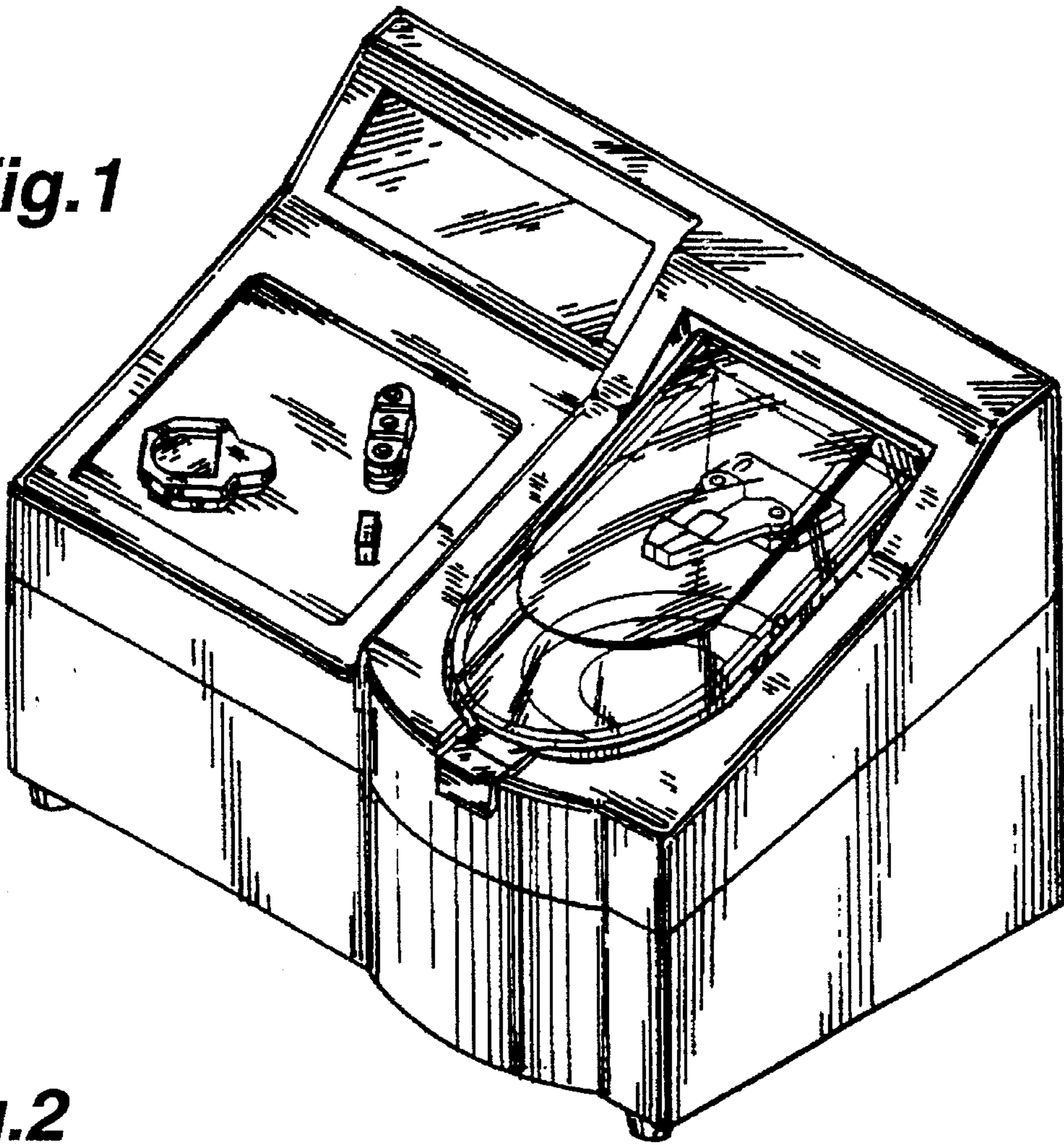
**U.S. PATENT DOCUMENTS**

D. 341,890 11/1993 Sievert et al. .... D24/169

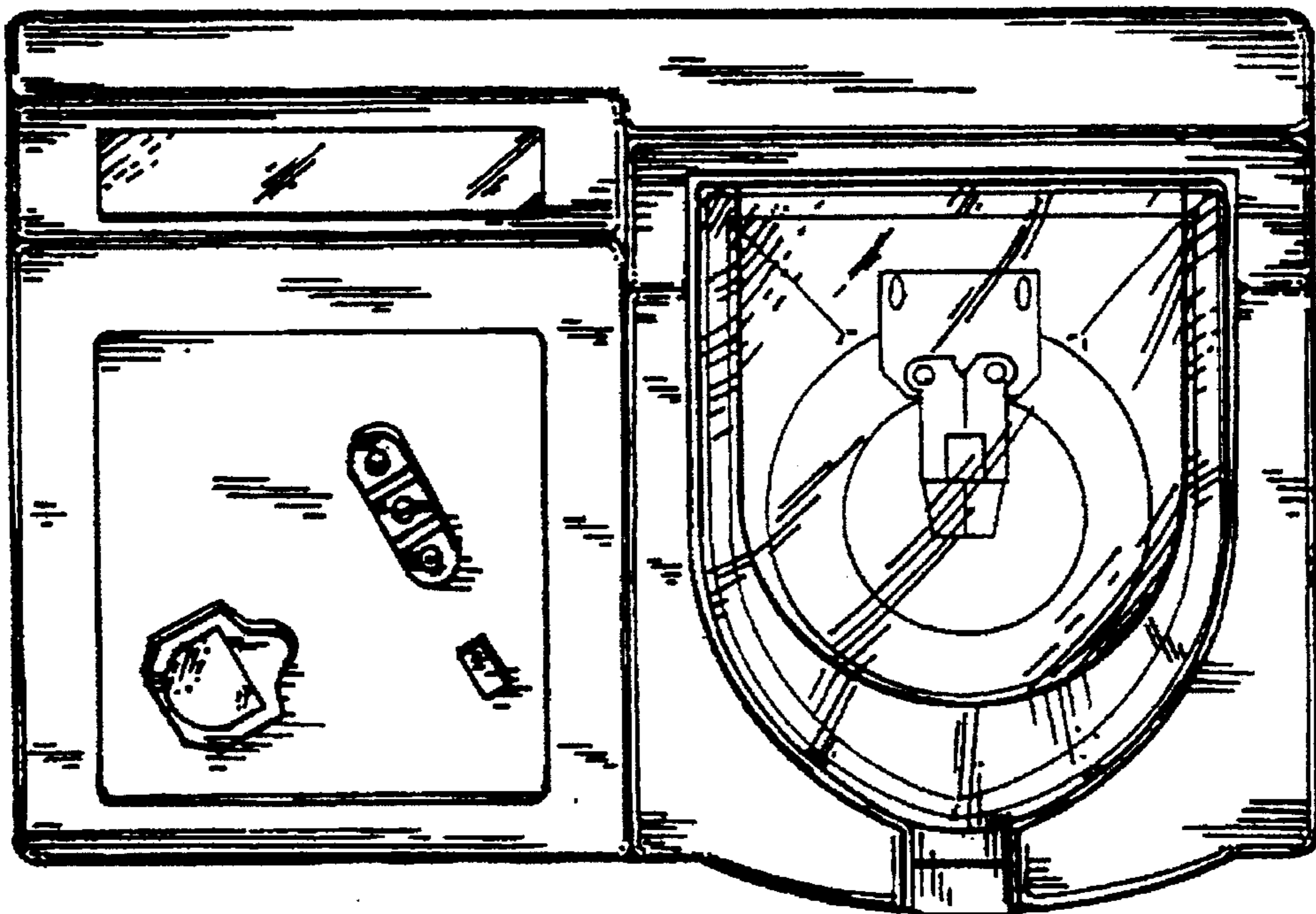
**1 Claim, 4 Drawing Sheets**

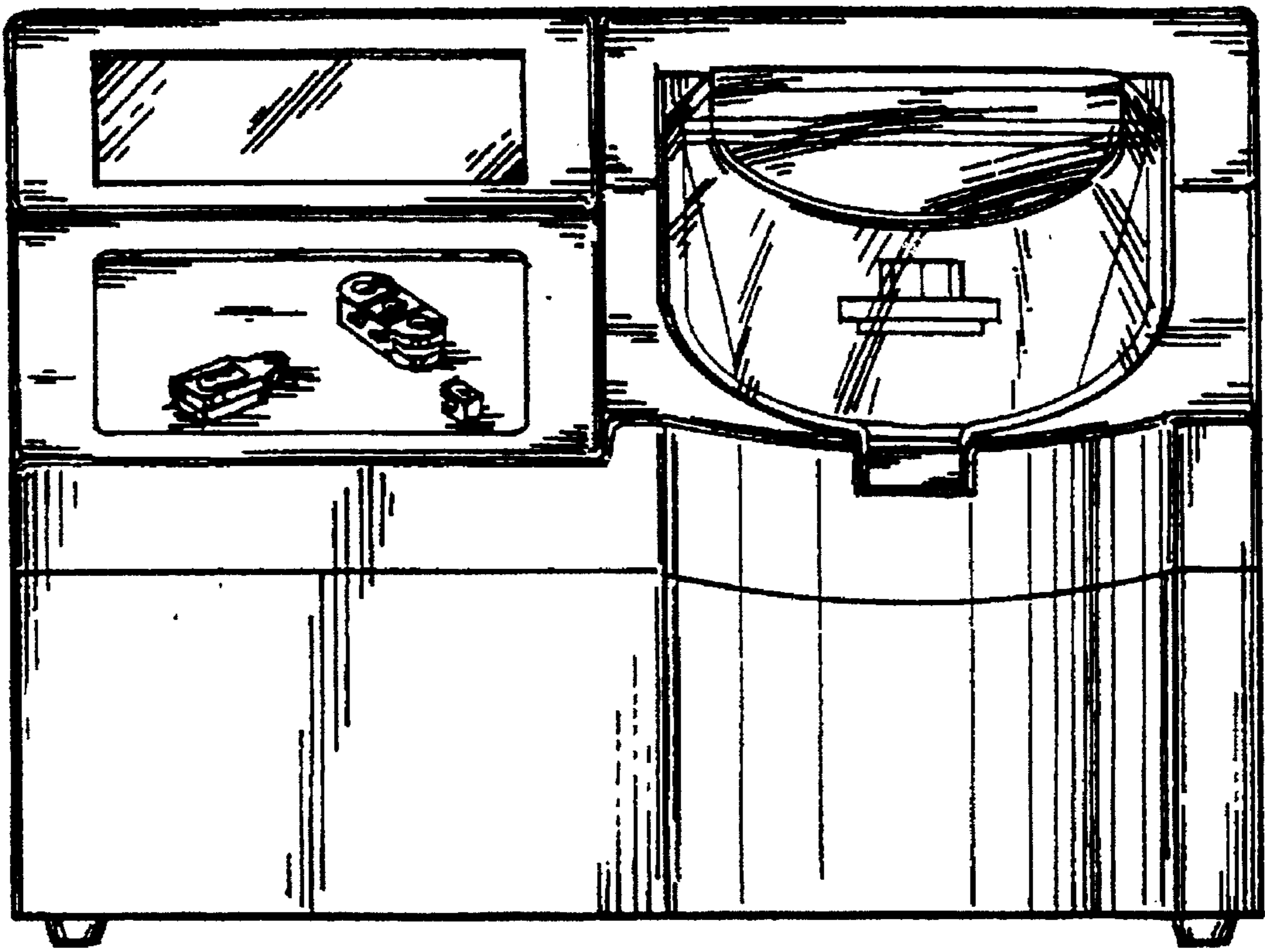


**Fig. 1**

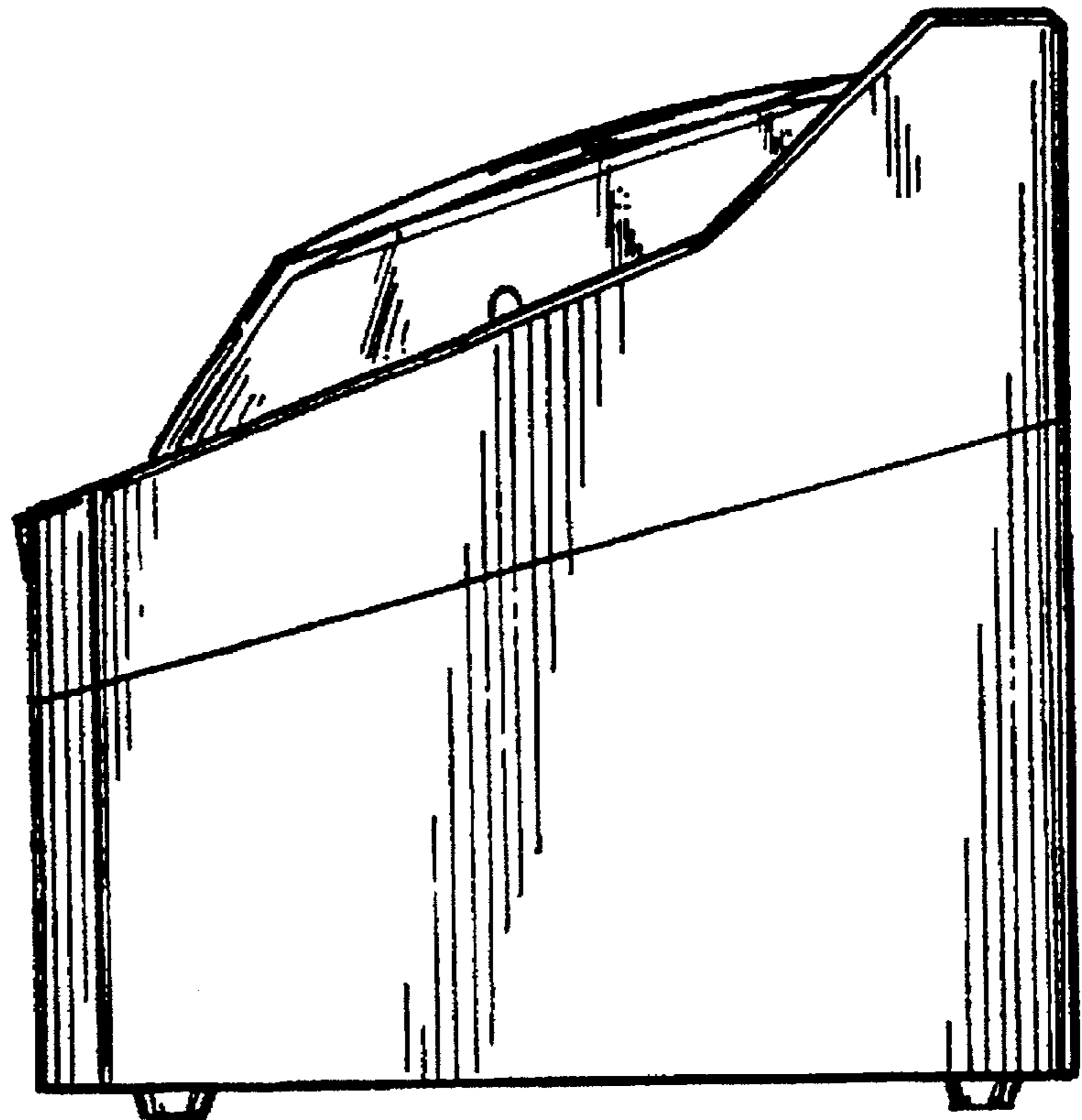


**Fig. 2**

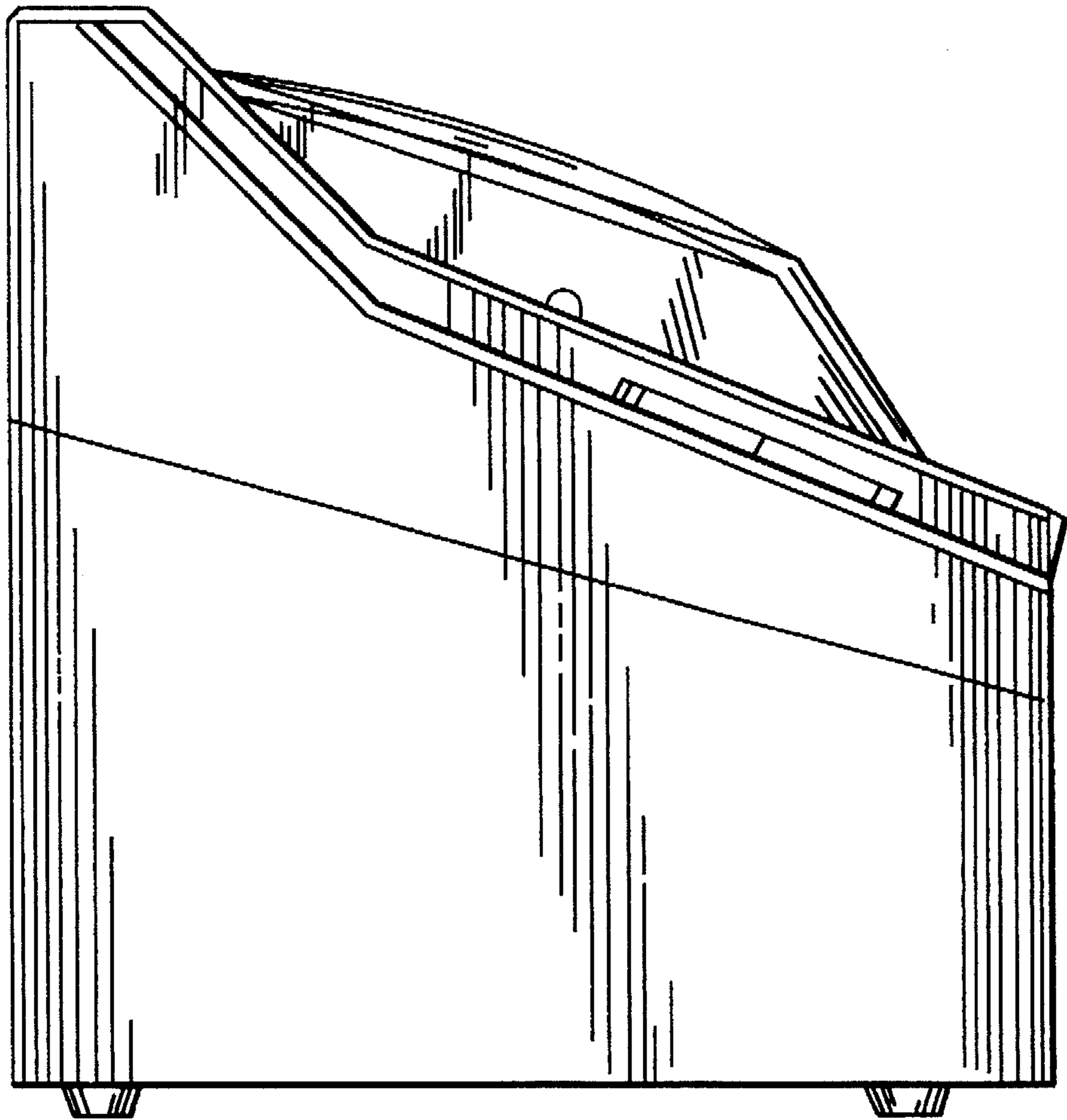




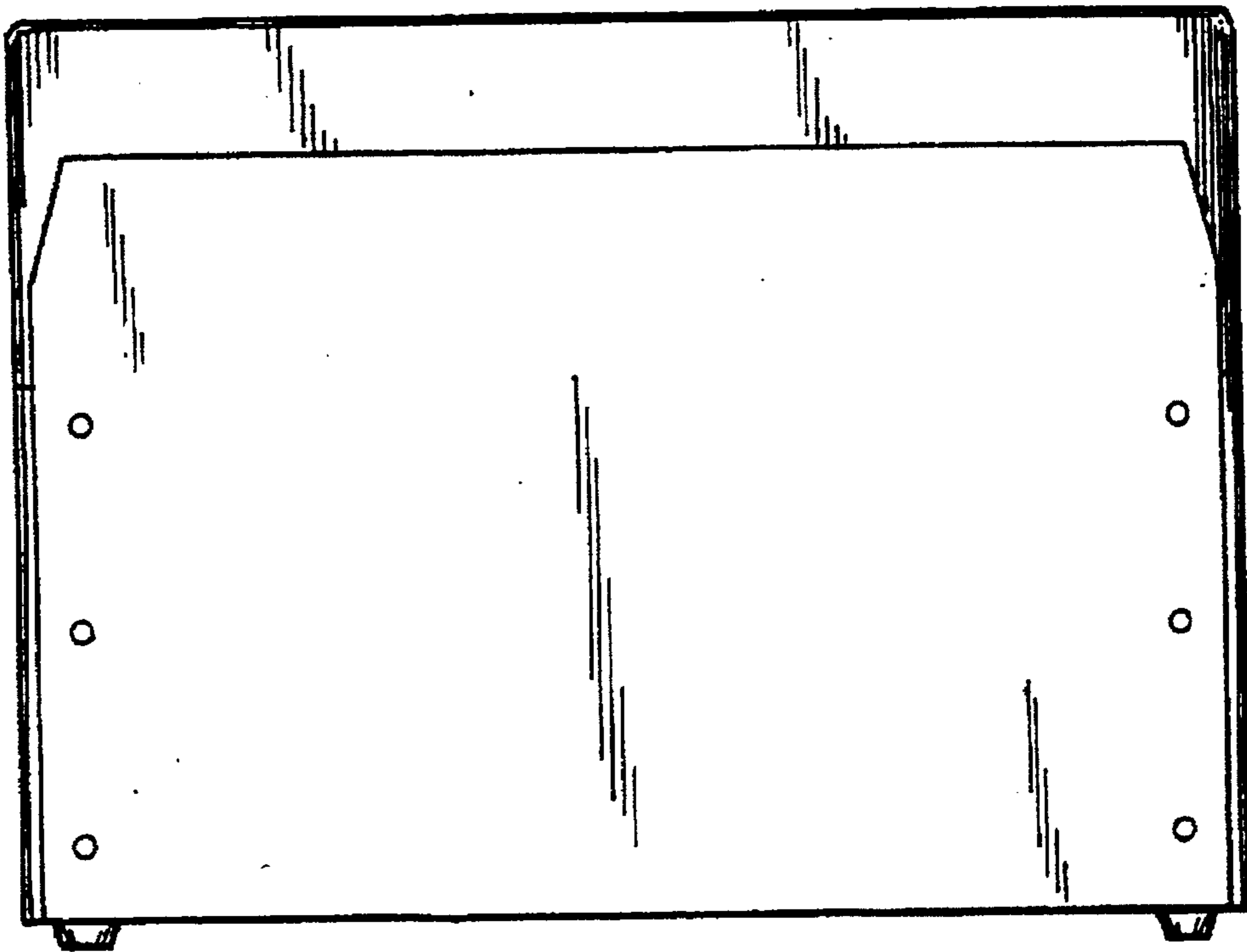
**Fig. 3**



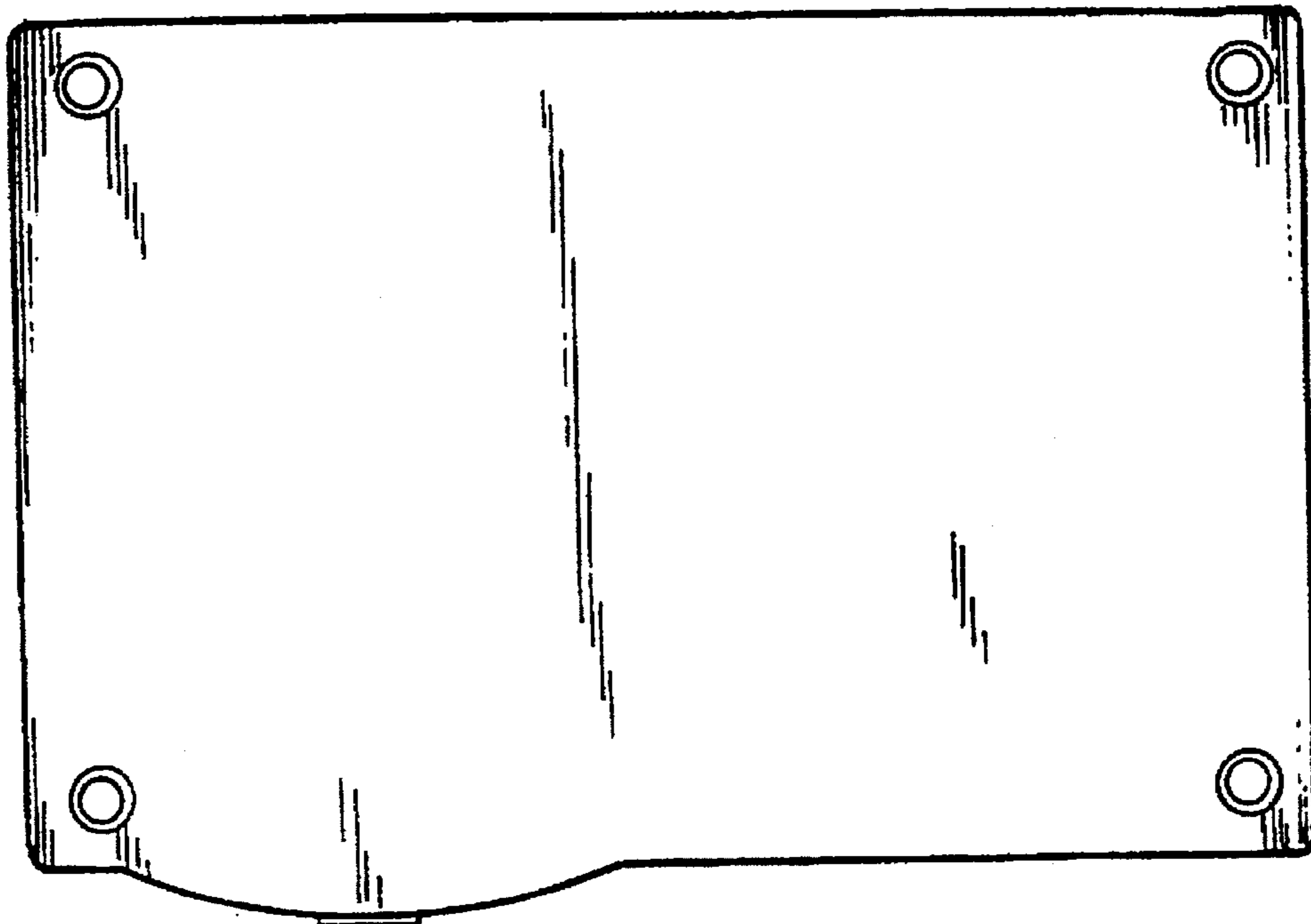
**Fig. 4**



***Fig. 5***



**Fig. 6**



**Fig. 7**