



US00D381746S

United States Patent [19]

Koros et al.

[11] Patent Number: Des. 381,746

[45] Date of Patent: **Jul. 29, 1997

[54] **COMBINED CERVICAL AND LUMBAR EXTRACTOR AND INJECTOR SURGICAL INSTRUMENT**

5,423,826	6/1995	Coates et al.	606/96
5,489,307	2/1996	Kuslich et al.	606/96 X
5,514,144	5/1996	Bolton	606/96
5,531,751	7/1996	Schultheiss et al.	606/96

[76] Inventors: **Tibor Koros; Gabriel Koros**, both of 610 Flinn Ave., Moorpark, Calif. 93021

Primary Examiner—Louis S. Zarfaz
Assistant Examiner—I. Simmons
Attorney, Agent, or Firm—Richard D. Slehofer

[**] Term: **14 Years**

[57] **CLAIM**

[21] Appl. No.: **34,391**

The ornamental design for a combined cervical and lumbar extractor and injector surgical instrument, as shown and described.

[22] Filed: **Feb. 3, 1995**

DESCRIPTION

[51] LOC (6) Cl. **24-02**

[52] U.S. Cl. **D24/133; D24/135; D24/146**

[58] Field of Search **D24/135, 140, D24/133; 606/96, 80, 79, 72**

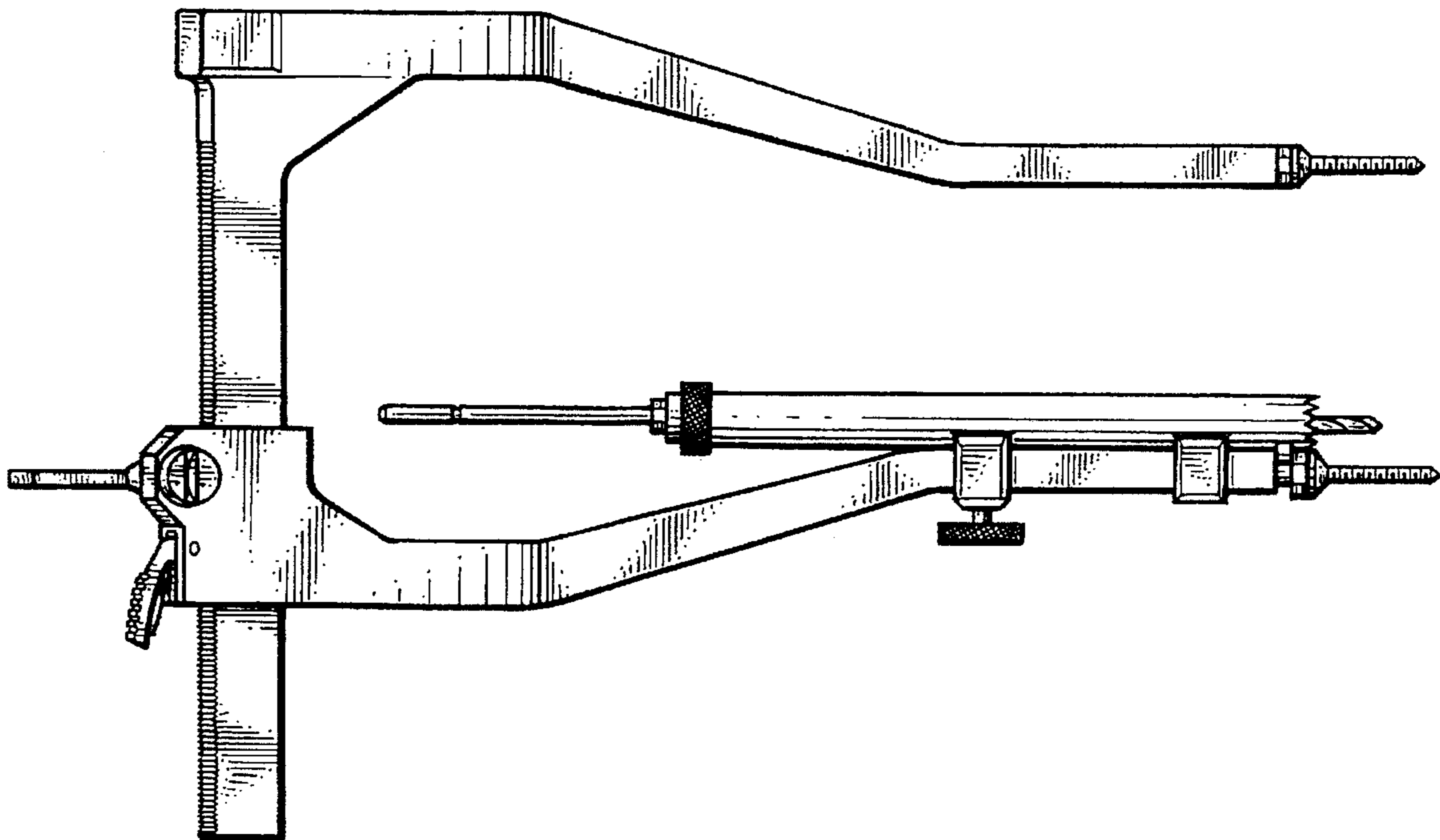
FIG. 1 is a front elevational view of a combined cervical and lumbar extractor and injector surgical instrument showing our new design;
FIG. 2 is a right side elevational view thereof;
FIG. 3 is a rear elevational view thereof;
FIG. 4 is a left side elevational view thereof;
FIG. 5 is a top plan view thereof; and,
FIG. 6 is a bottom plan view thereof.

[56] **References Cited**

U.S. PATENT DOCUMENTS

D. 272,854	2/1984	Witte et al.	D24/140
D. 357,534	4/1995	Hayes	D24/140
3,486,505	12/1969	Morrison	D24/135 X
4,907,577	3/1990	Wu	606/96 X
5,363,841	11/1994	Coker	D24/135 X

1 Claim, 2 Drawing Sheets



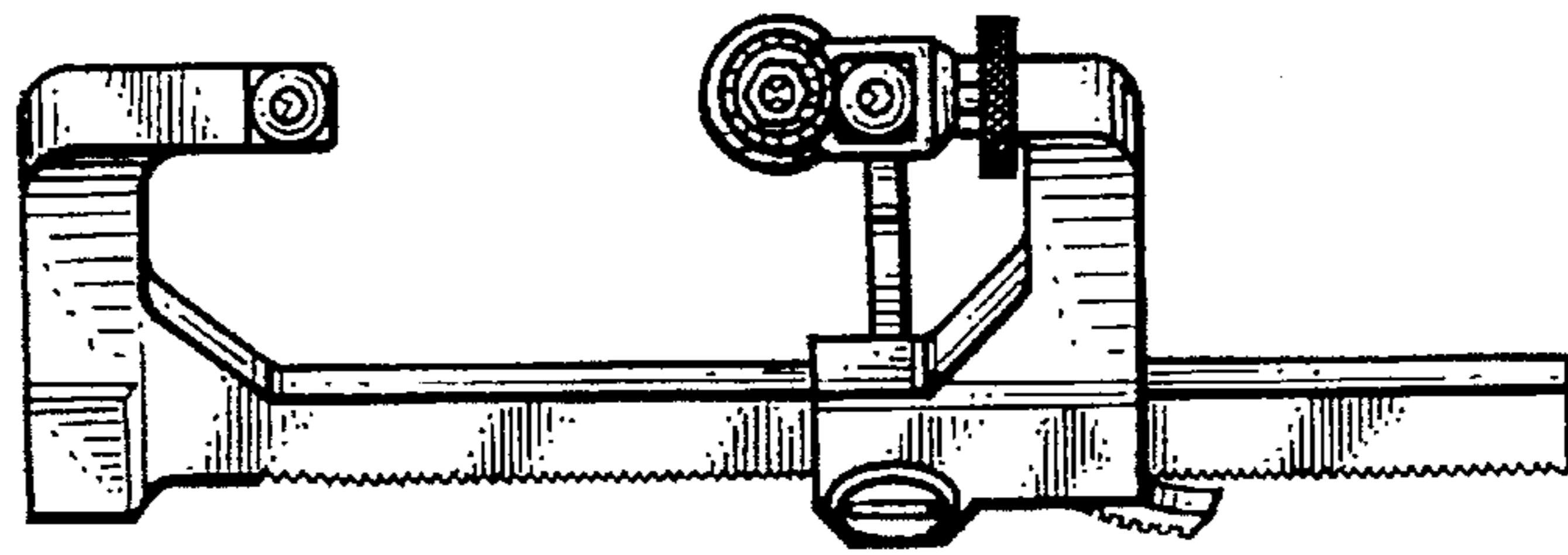


Fig. 1.

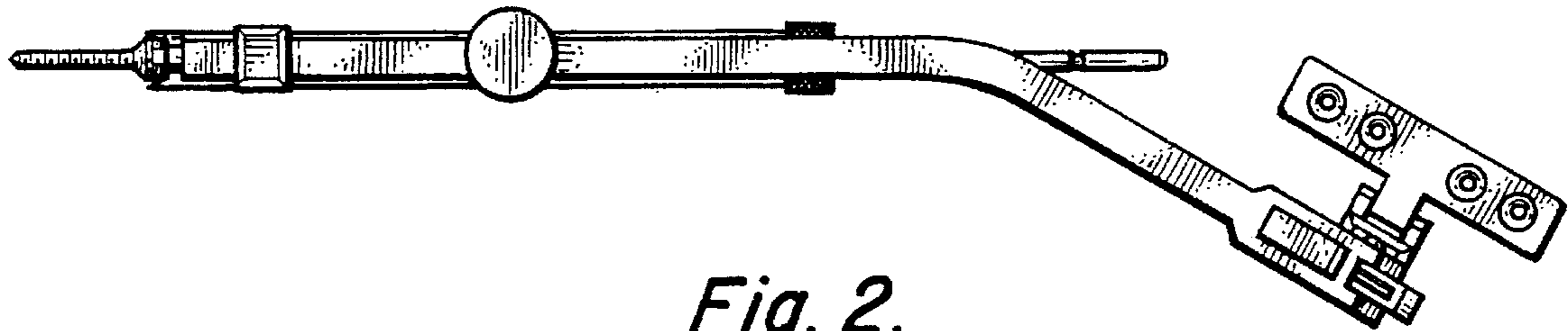


Fig. 2.

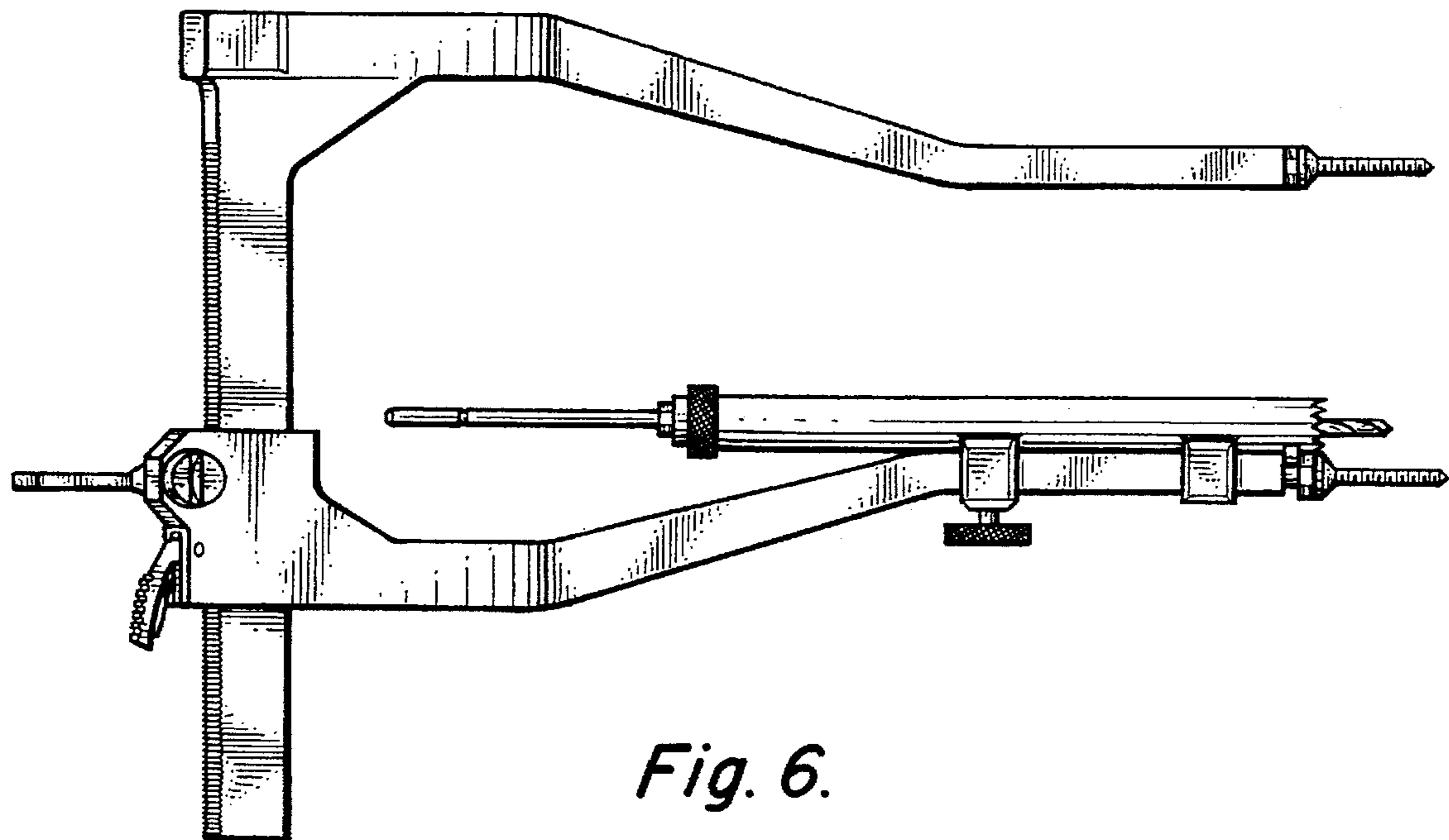


Fig. 6.

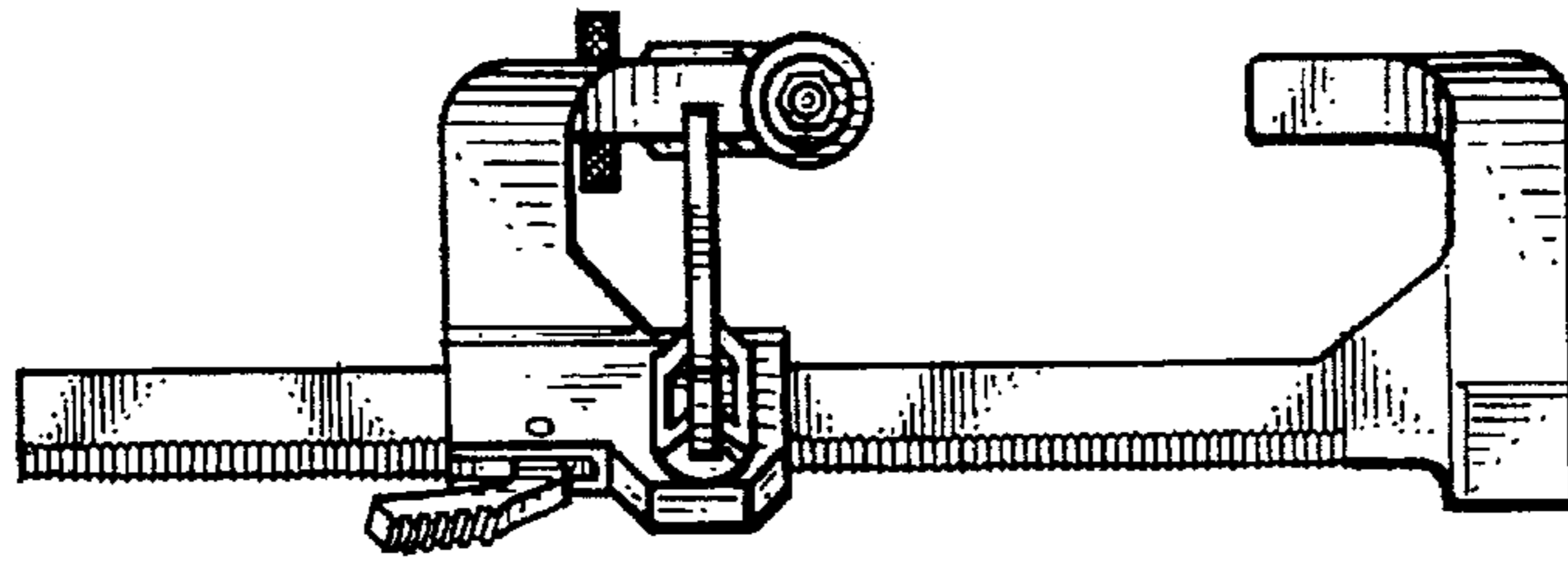


Fig. 3.

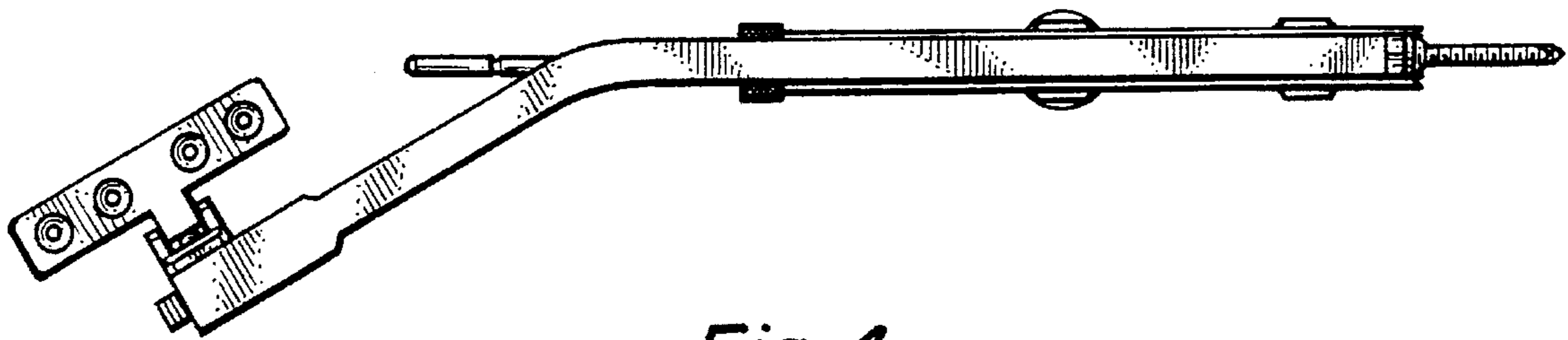


Fig. 4.

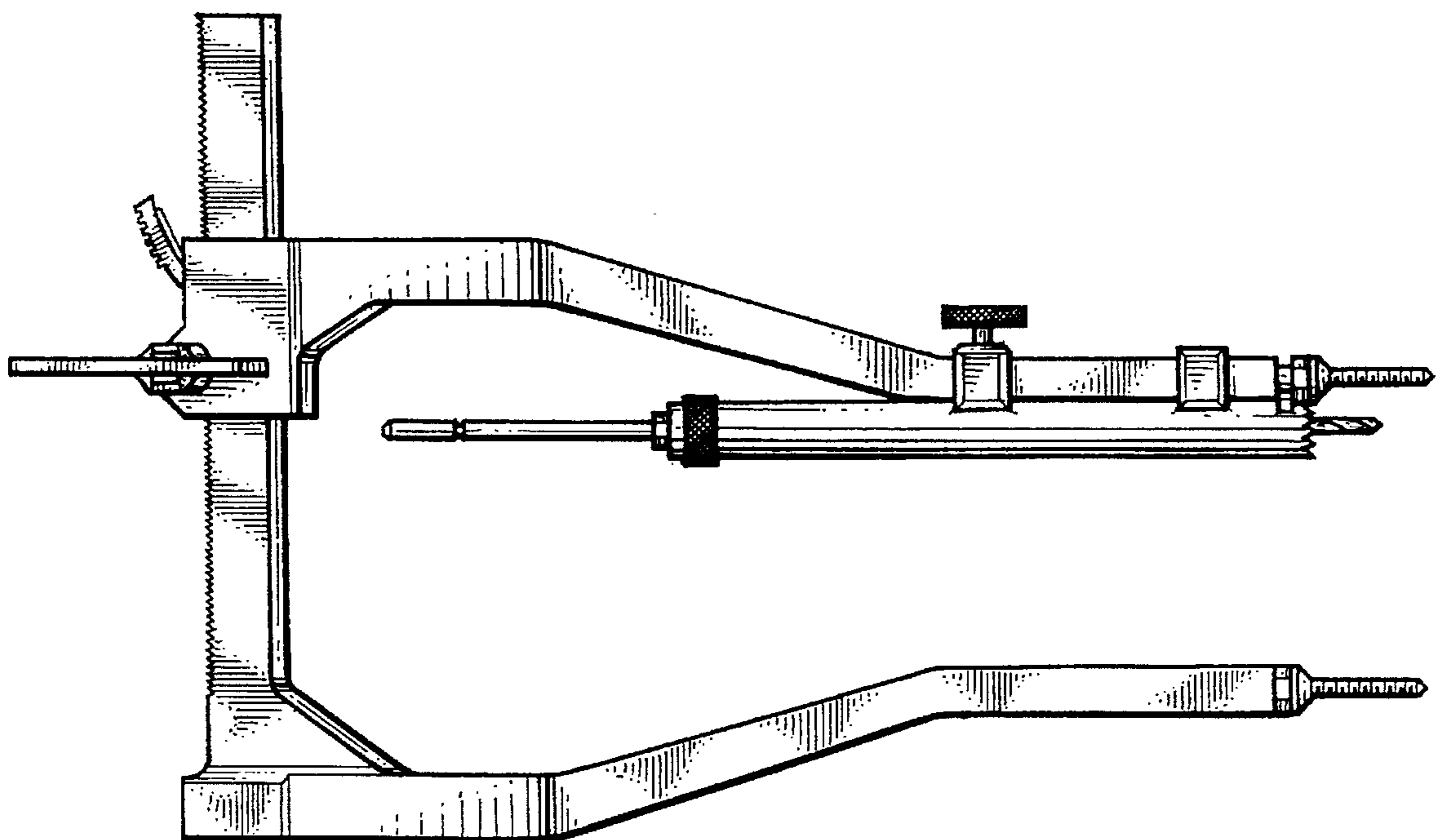


Fig. 5.