



US00D381745S

United States Patent [19]
Owens

[11] **Patent Number: Des. 381,745**
[45] **Date of Patent: **Jul. 29, 1997**

[54] **IV POLE ATTACHMENT**

[76] **Inventor: Jeffrey W. Owens, 359 Oak Leaf Cir.,
Lake Mary, Fla. 32746**

[**] **Term: 14 Years**

[21] **Appl. No.: 54,681**

[22] **Filed: May 20, 1996**

[51] **LOC (6) Cl. 24-02**

[52] **U.S. Cl. D24/128**

[58] **Field of Search D24/129, 128;
248/121, 291.1, 188, 188.8, 125.7, 125.8,
125.9, 126; 211/70.6, 71, 60.1**

[56] **References Cited**

U.S. PATENT DOCUMENTS

D. 339,195	9/1993	Nash et al.	D24/128
4,042,232	8/1977	Lile et al.	D24/128 X
4,225,104	9/1980	Larson	248/125
4,295,619	10/1981	Kulin et al.	248/95
4,666,111	5/1987	Schuler	248/125
4,725,027	2/1988	Bekanich	248/125
5,000,407	3/1991	Juji et al.	248/125

5,078,349	1/1992	Smith	248/125
5,135,191	8/1992	Schmuhl	248/125
5,319,816	6/1994	Ruehl	248/121 X
5,322,253	6/1994	Stevens	248/229
5,366,191	11/1994	Bekanich	248/125

Primary Examiner—Louis S. Zarfaz
Assistant Examiner—I. Simmons
Attorney, Agent, or Firm—William M. Hobby, III

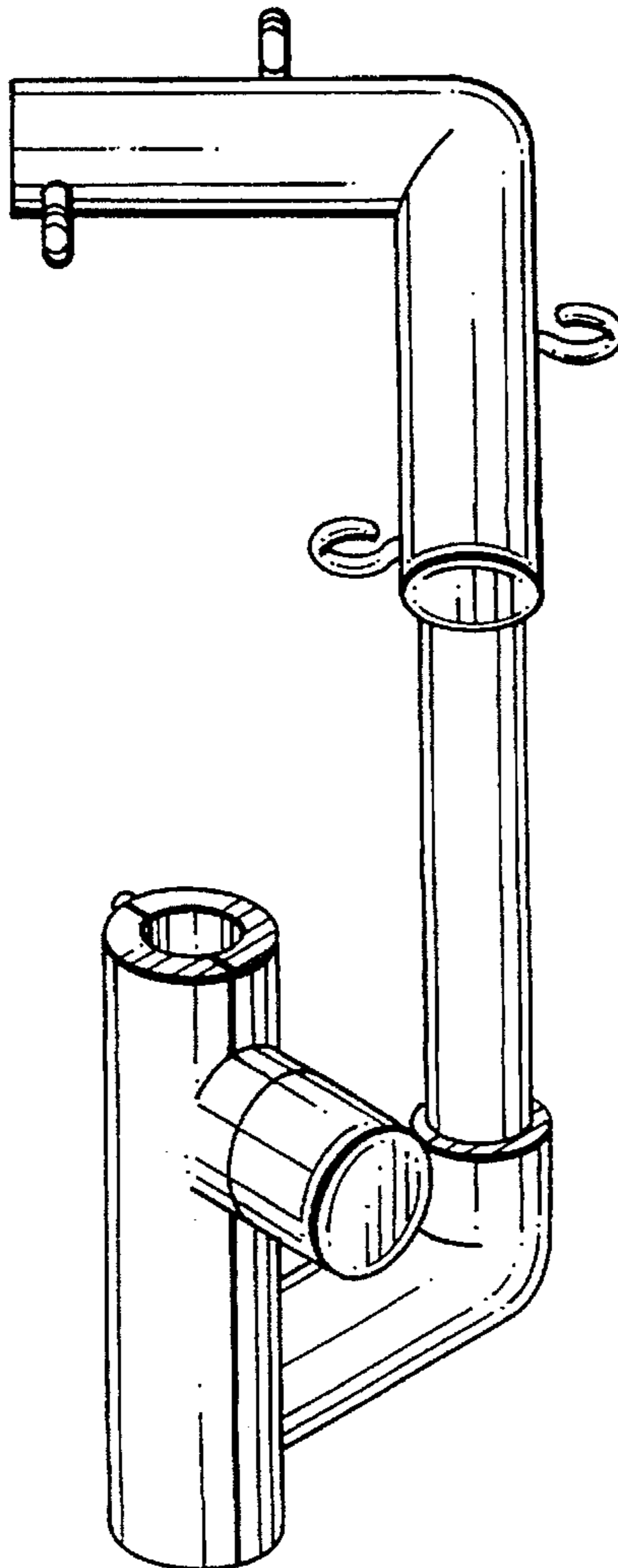
[57] **CLAIM**

The ornamental design for an IV pole attachment, as shown and described.

DESCRIPTION

FIG. 1 is a left side and rear perspective view of my new IV pole attachment;
FIG. 2 is a left side elevation;
FIG. 3 is a right side elevation;
FIG. 4 is a top plan view;
FIG. 5 is a front elevation;
FIG. 6 is a rear elevation; and,
FIG. 7 is a bottom plan view.

1 Claim, 1 Drawing Sheet



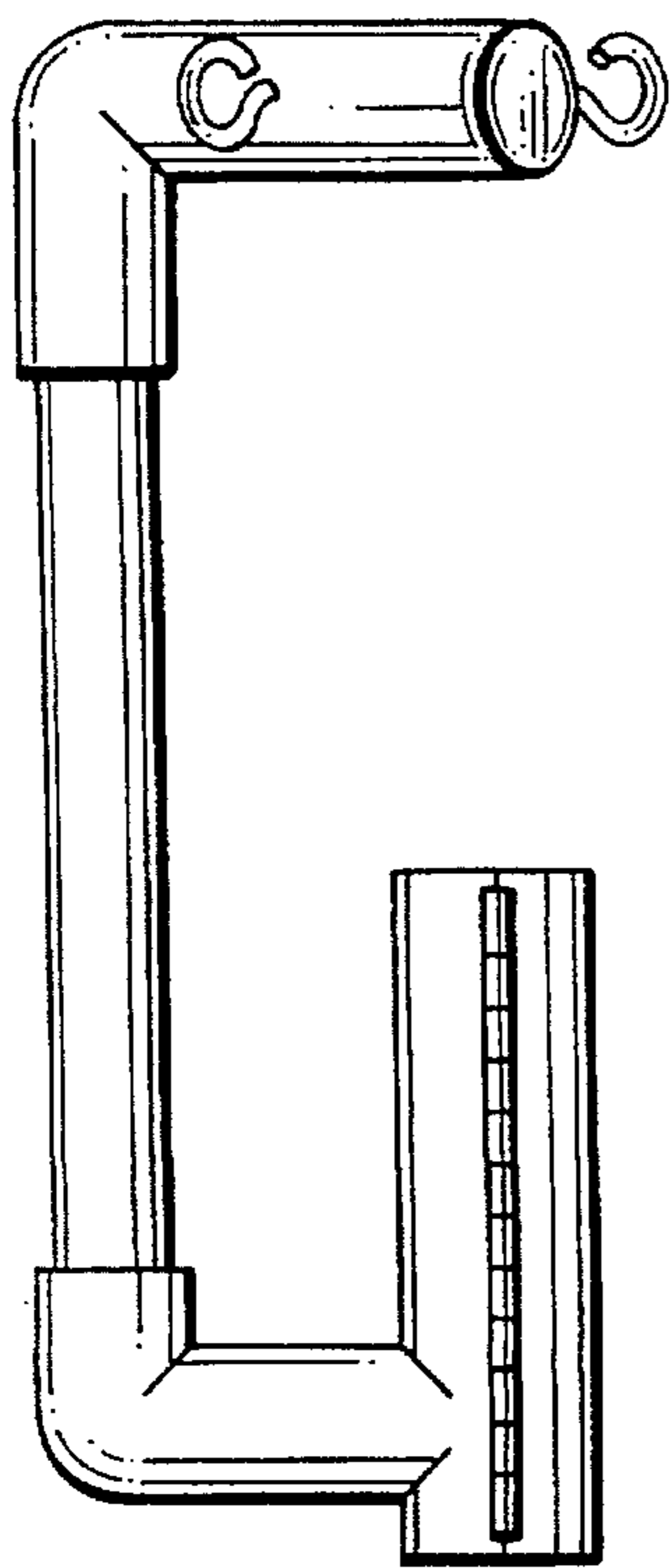


FIG. 3

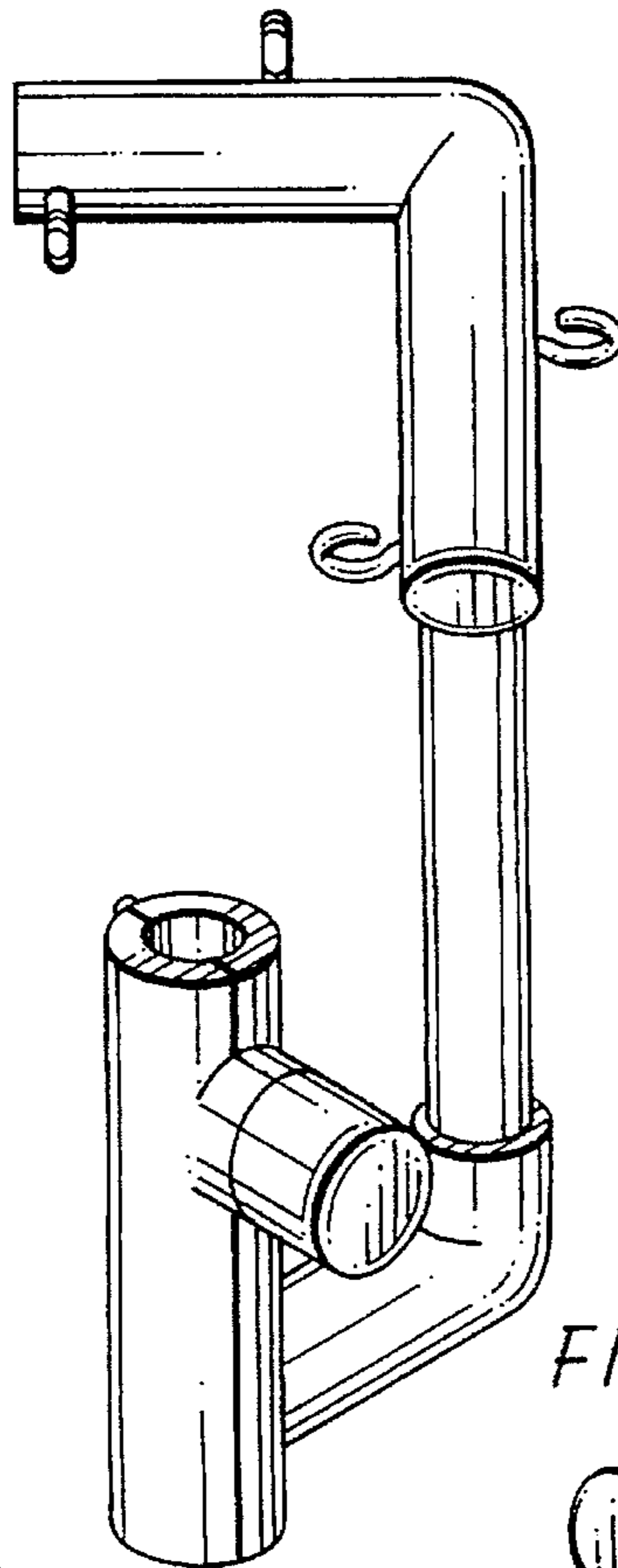


FIG. 1

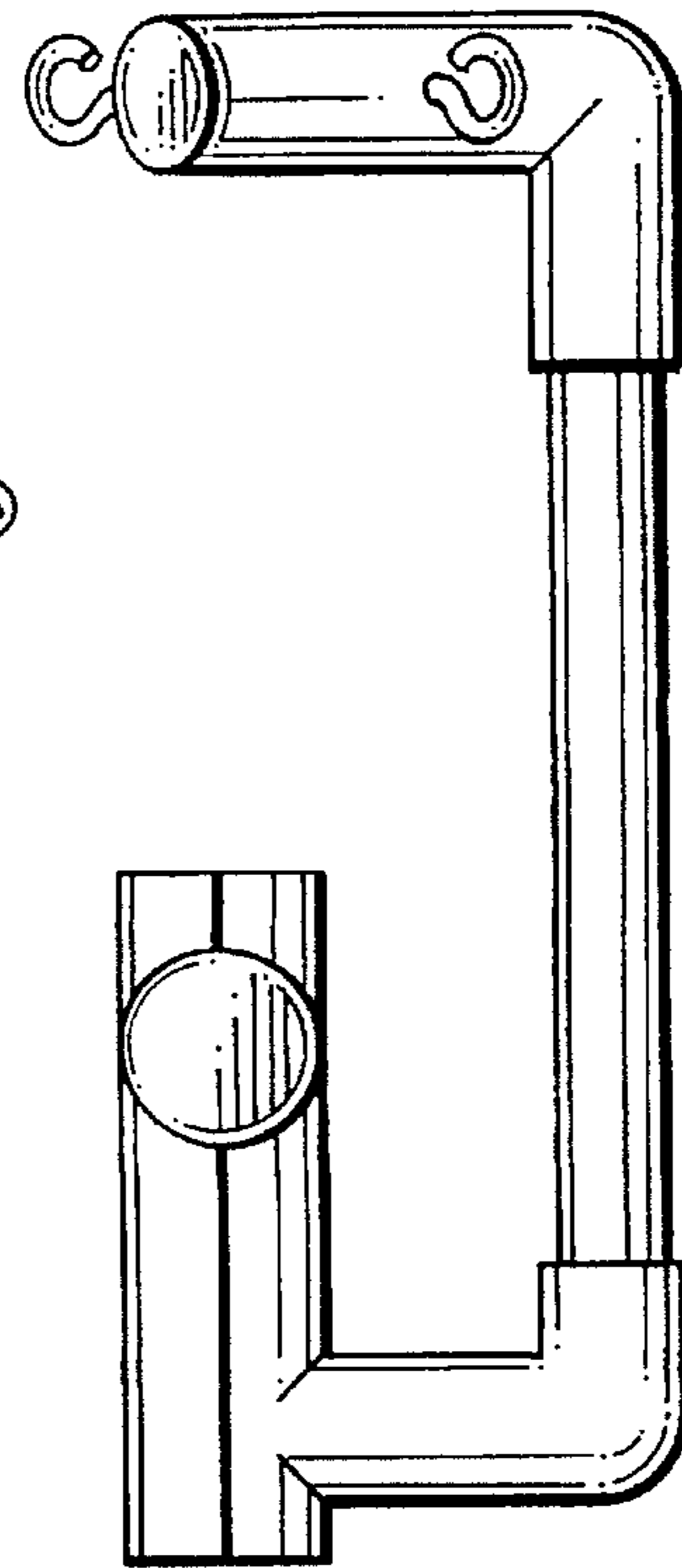


FIG. 2

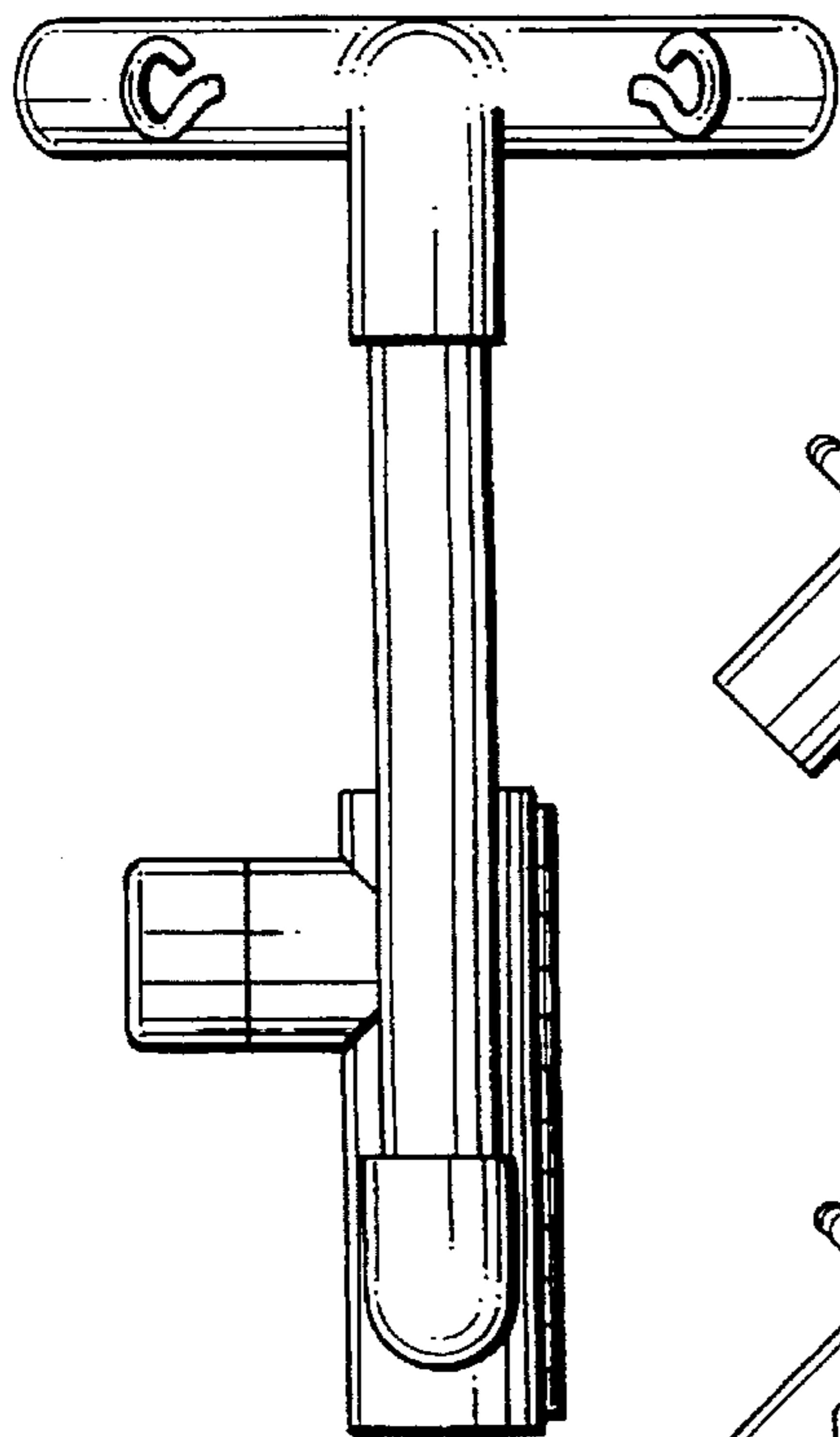


FIG. 5

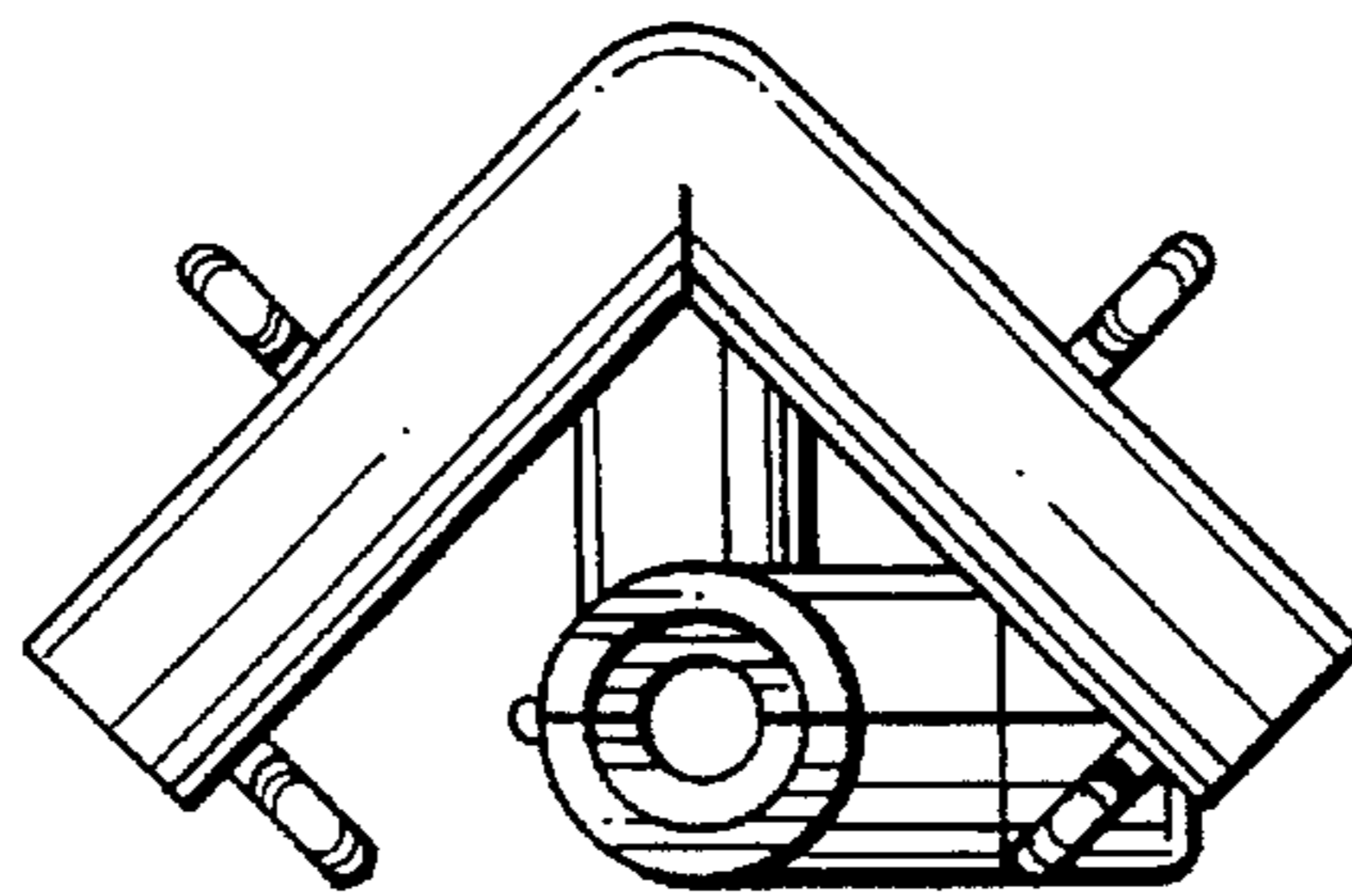


FIG. 4

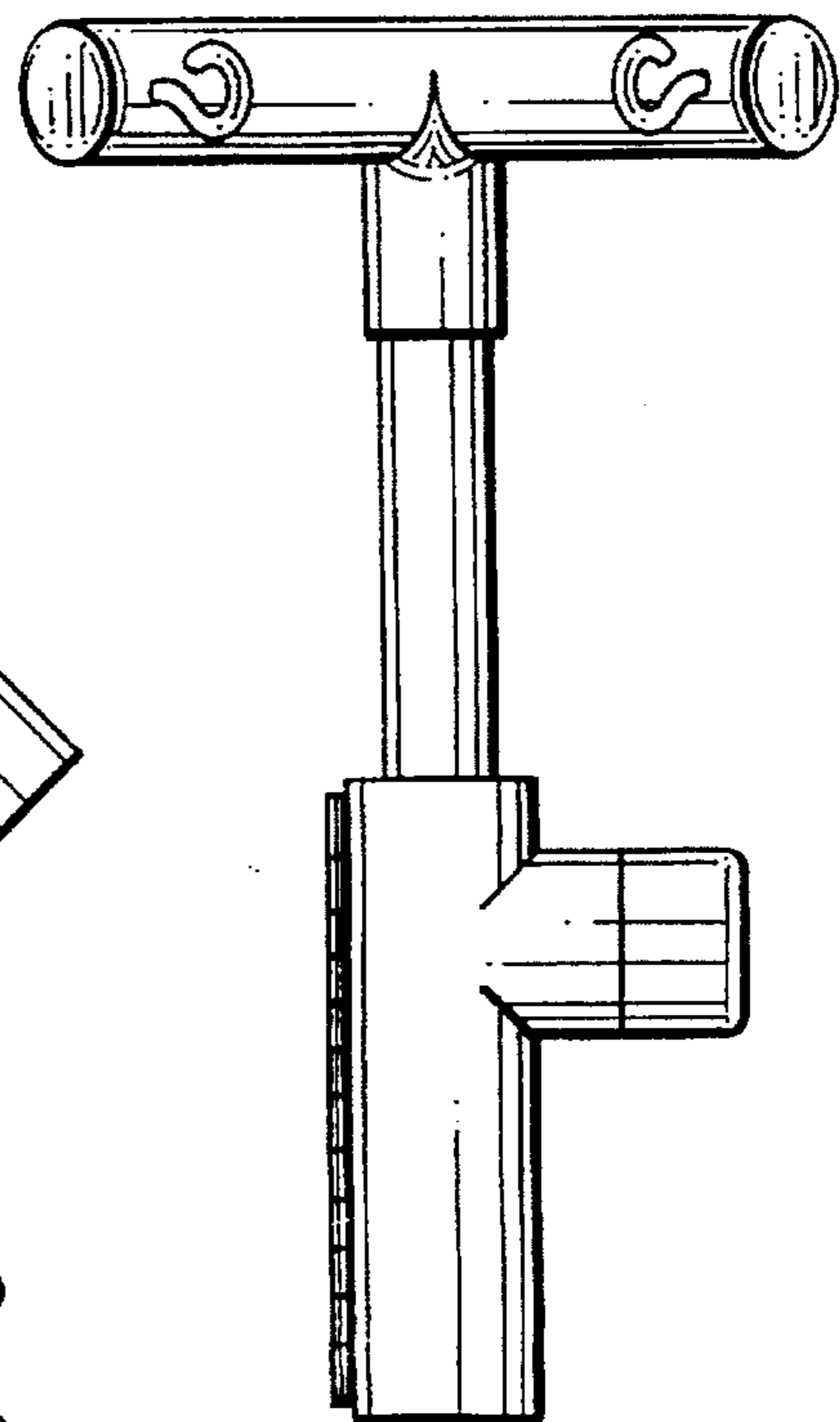


FIG. 6

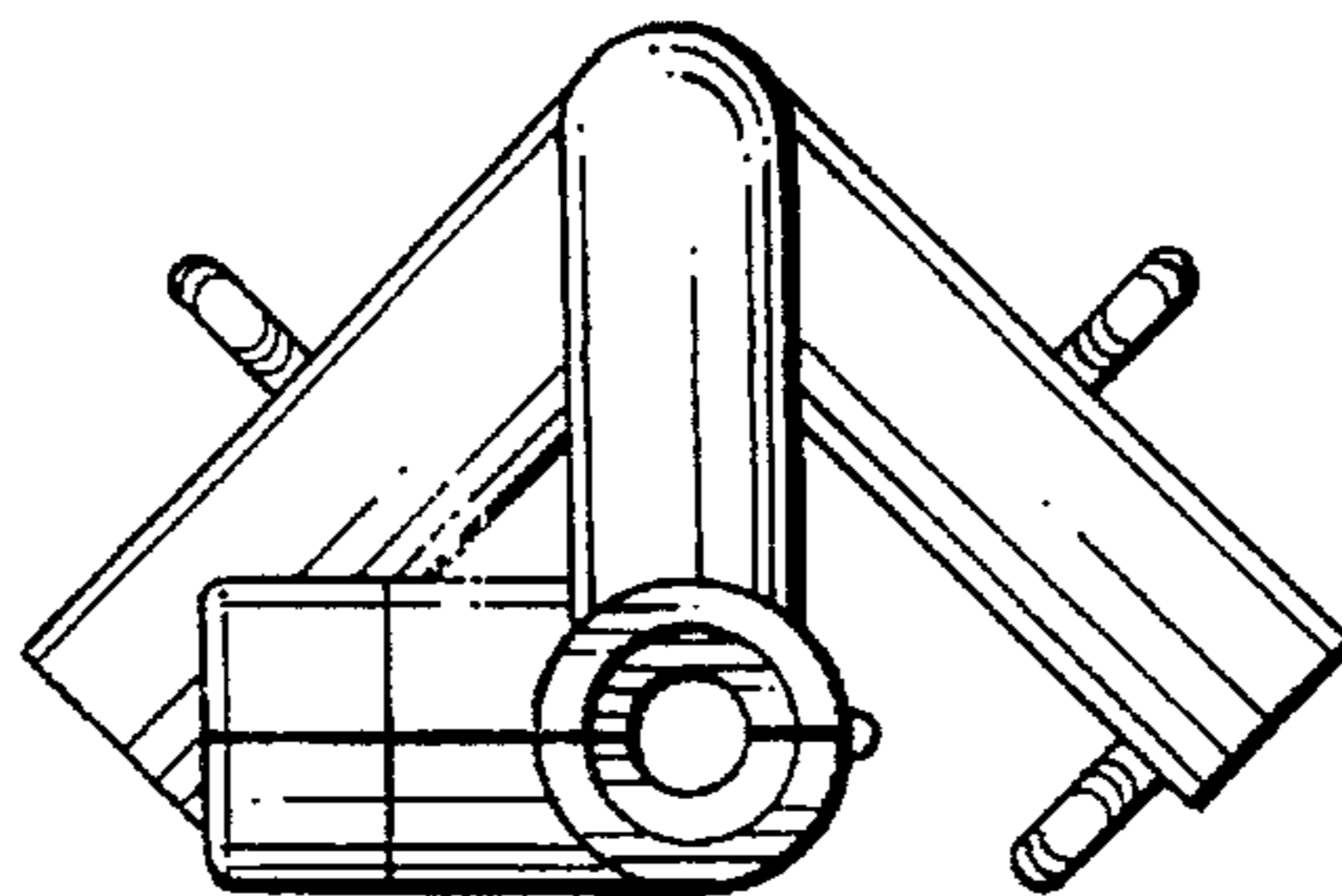


FIG. 7