



US00D381743S

United States Patent [19]
Szwartz

[11] **Patent Number:** **Des. 381,743**

[45] **Date of Patent:** ****Jul. 29, 1997**

[54] **FIREPLACE DAMPER ASSEMBLY UNIT**

[76] **Inventor:** **Henry S. Szwartz**, 17 Terrace Ave.,
Suffern, N.Y. 10901

[**] **Term:** **14 Years**

[21] **Appl. No.:** **10,936**

[22] **Filed:** **Jul. 23, 1993**

[51] **LOC (6) Cl.** **23-03**

[52] **U.S. Cl.** **D23/403**

[58] **Field of Search** D23/403; 454/5,
454/7, 2; 126/286

[56] **References Cited**

U.S. PATENT DOCUMENTS

3,996,920 12/1976 Andrews 126/286

FOREIGN PATENT DOCUMENTS

2376935 8/1978 France 454/7

2505457 11/1982 France 126/286

Primary Examiner—Lisa Lichtenstein
Attorney, Agent, or Firm—Weingram & Associates, P.C.

[57] **CLAIM**

The ornamental design for a fireplace damper assembly unit,
as shown and described.

DESCRIPTION

FIG. 1 is a front aerial view thereof;

FIG. 2 is a rear view thereof;

FIG. 3 is a front view thereof;

FIG. 4 is a left view thereof;

FIG. 5 is a right view thereof;

FIG. 6 is a bottom view thereof; and,

FIG. 7 is a top view thereof.

The broken-line showing of environmental structure in FIG. 1 is for illustrative purposes only and forms no part of the claimed design.

1 Claim, 4 Drawing Sheets

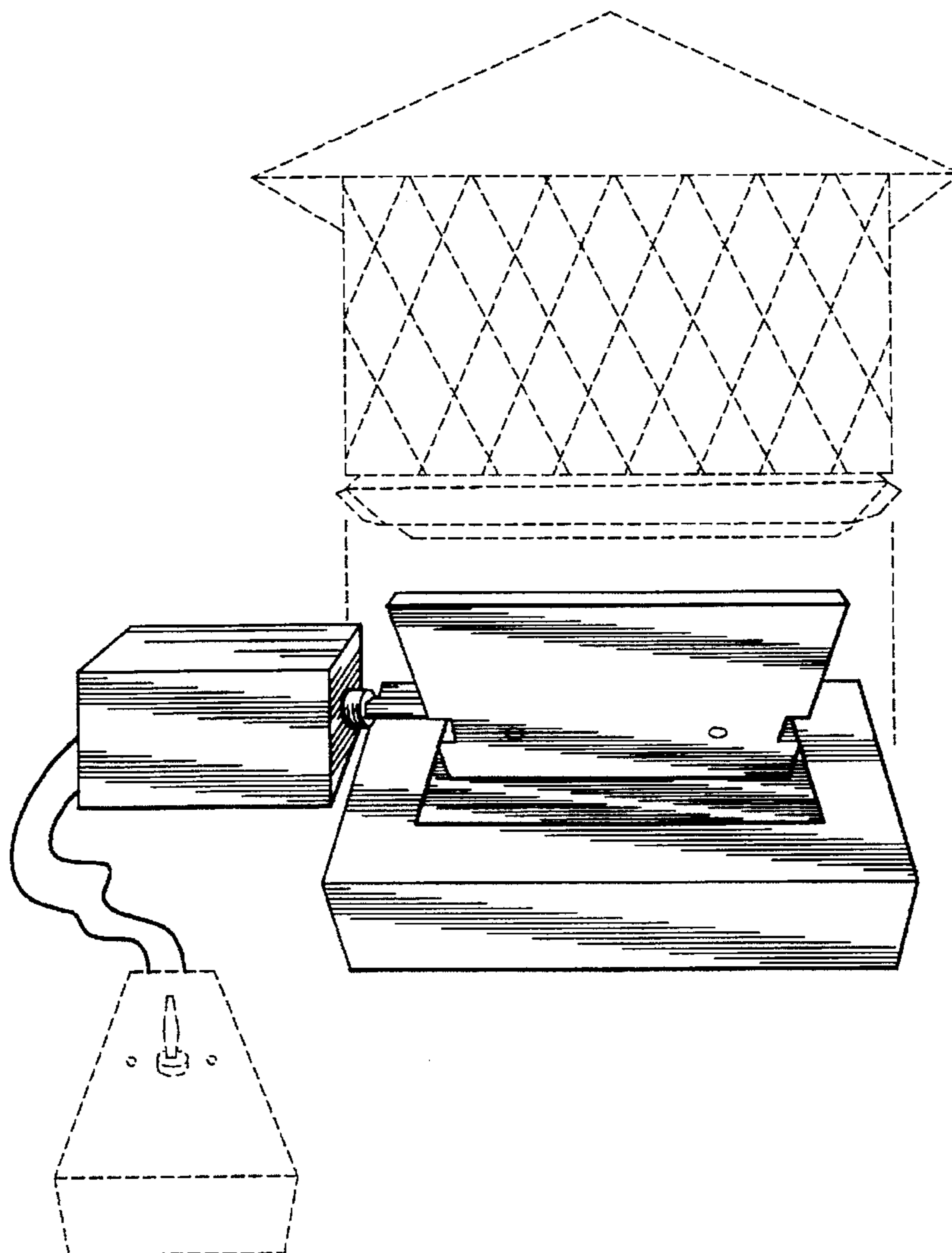


FIG. 1.

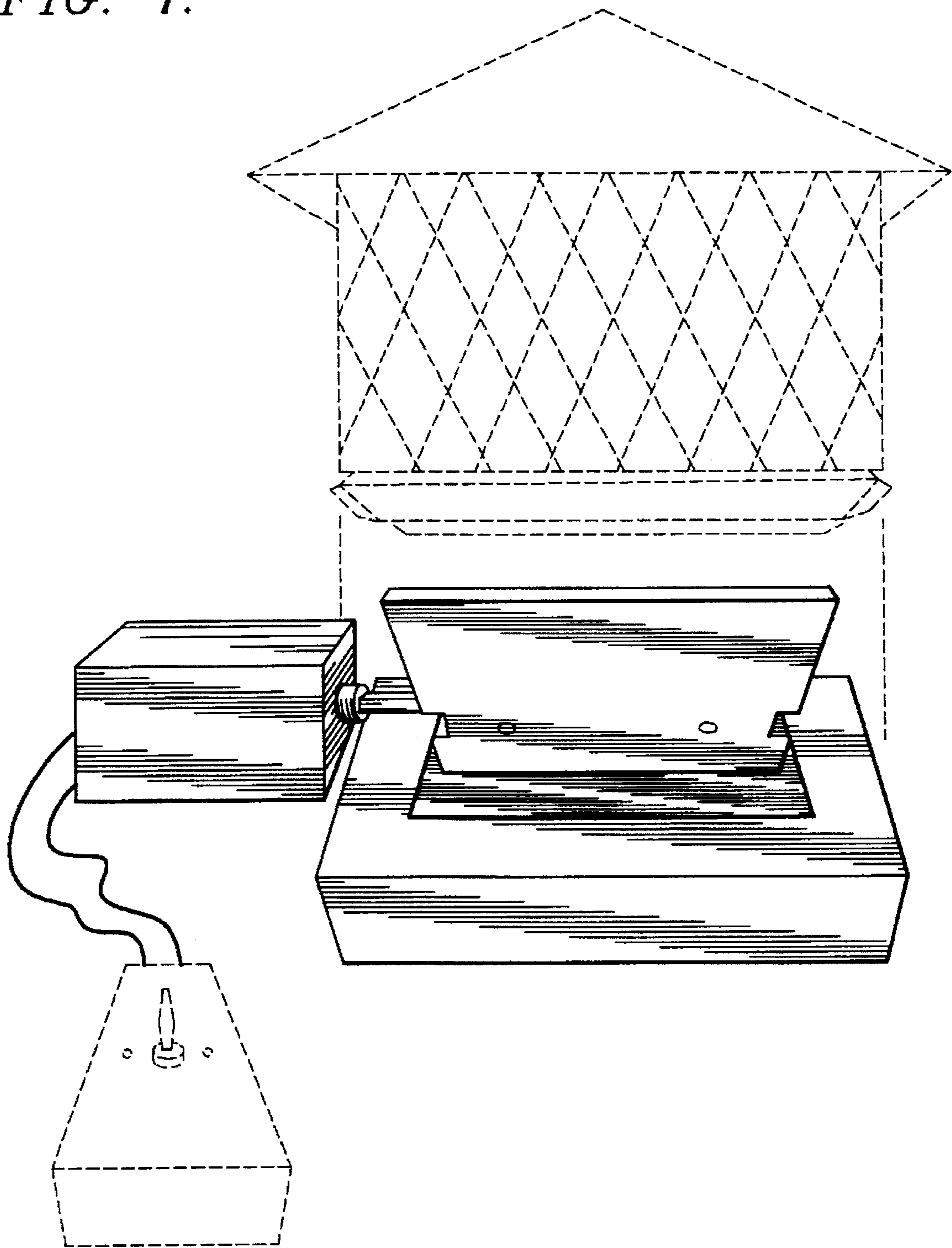


FIG. 2.

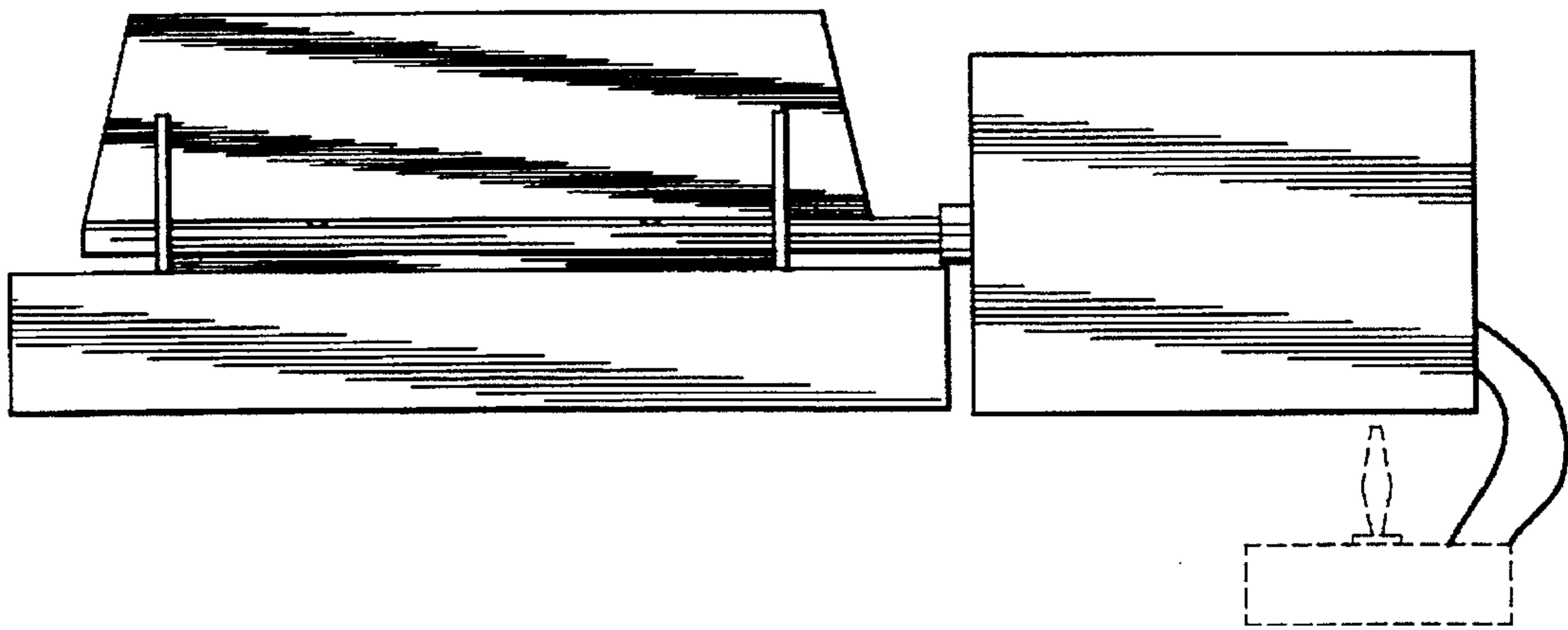


FIG. 3.

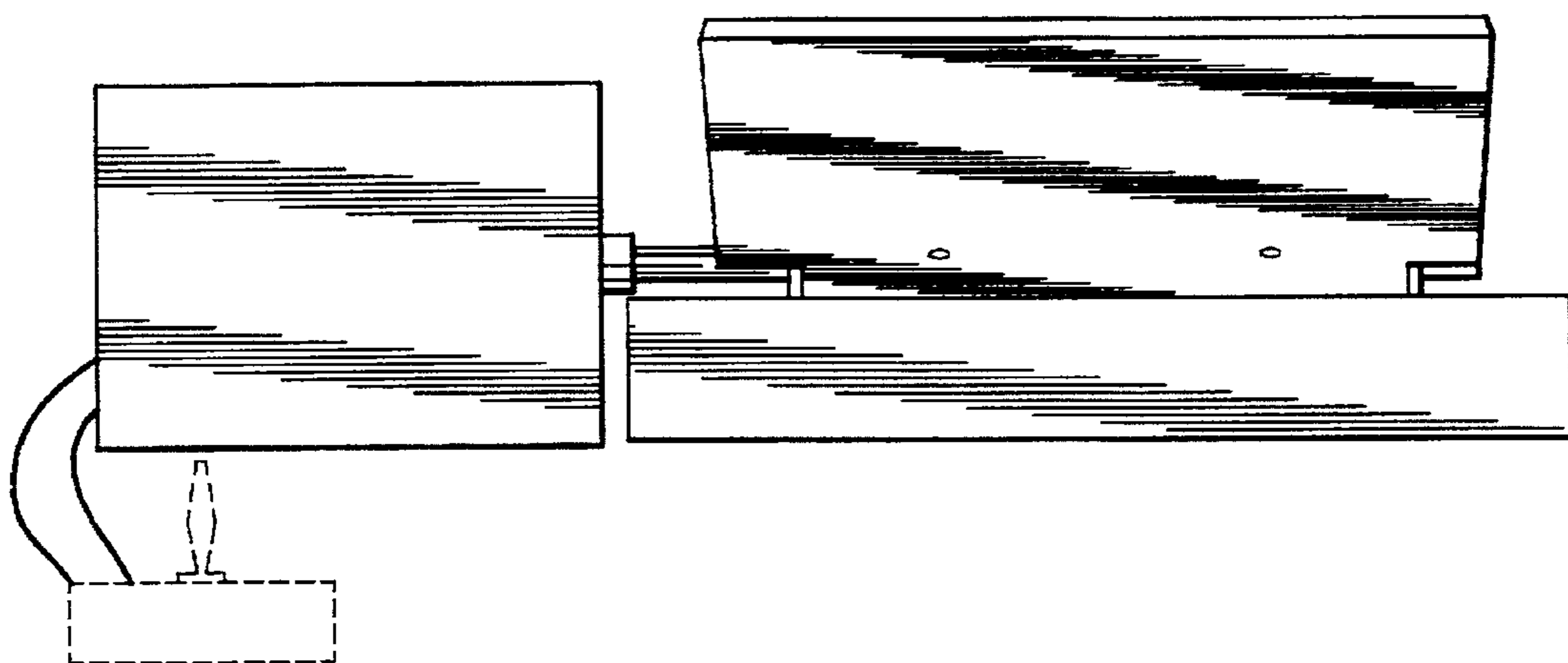


FIG. 4.

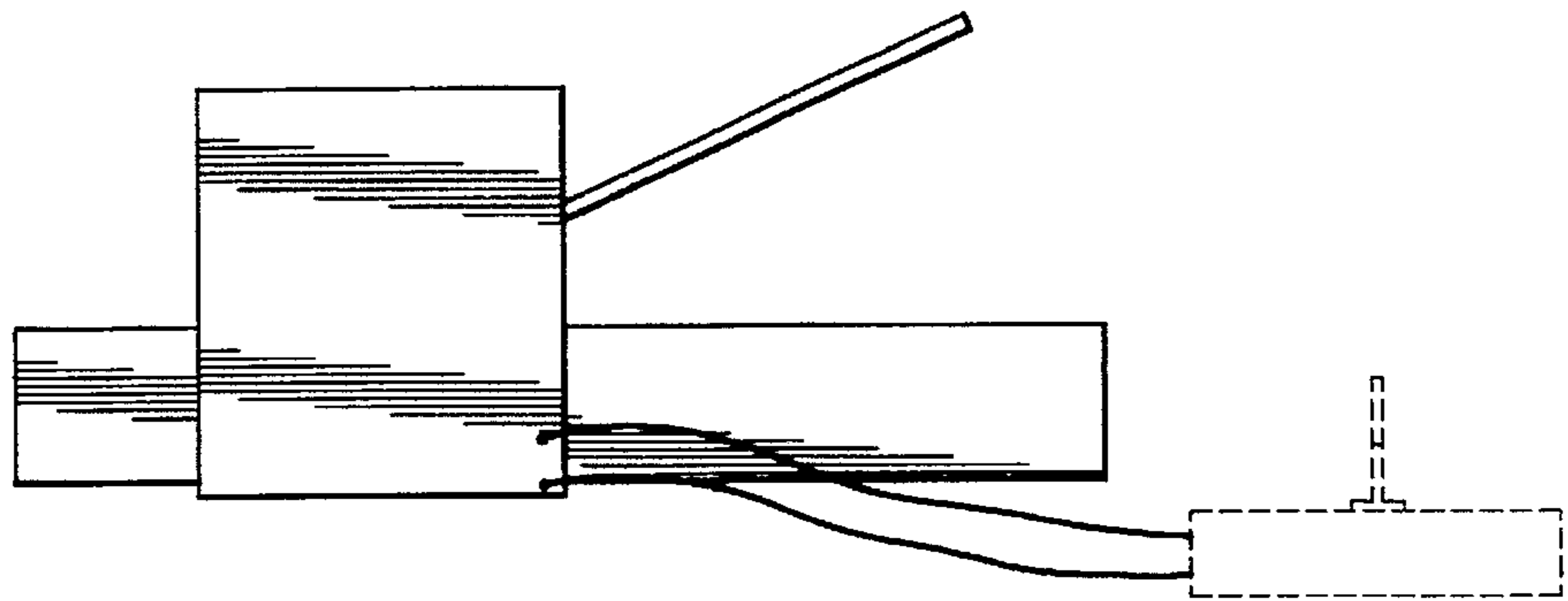


FIG. 5.

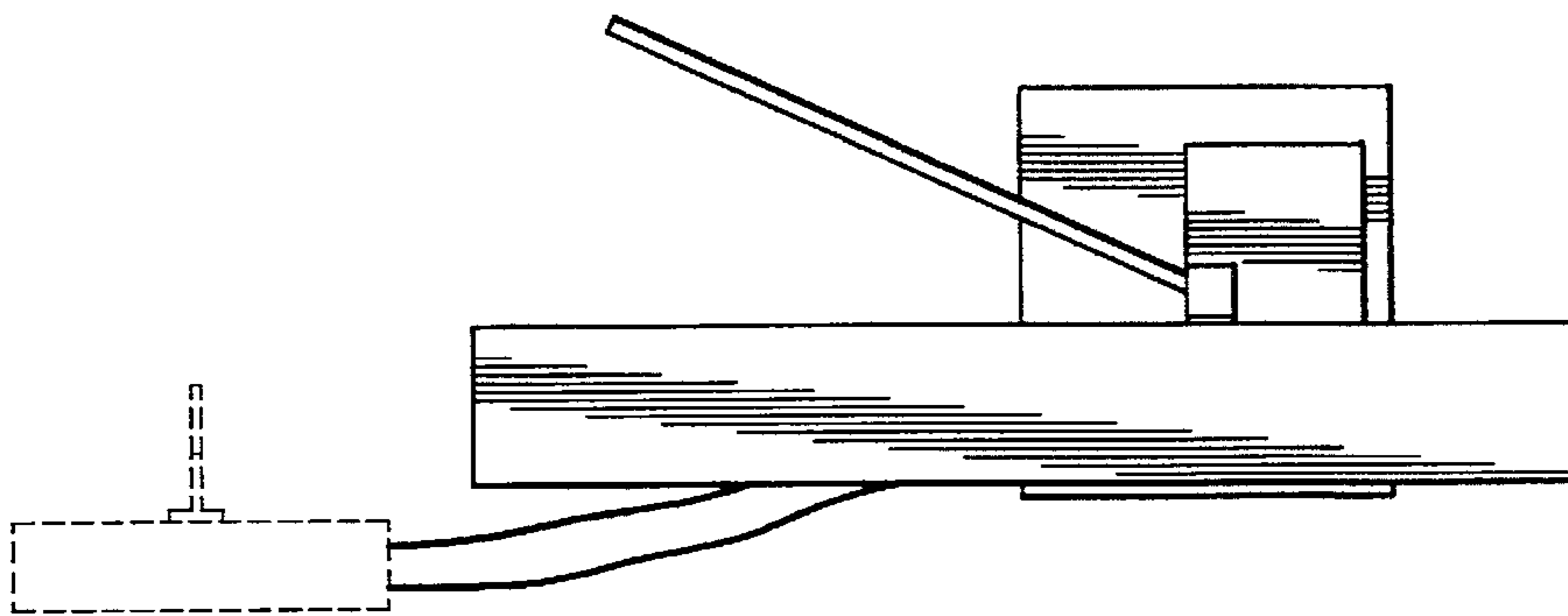


FIG. 6.

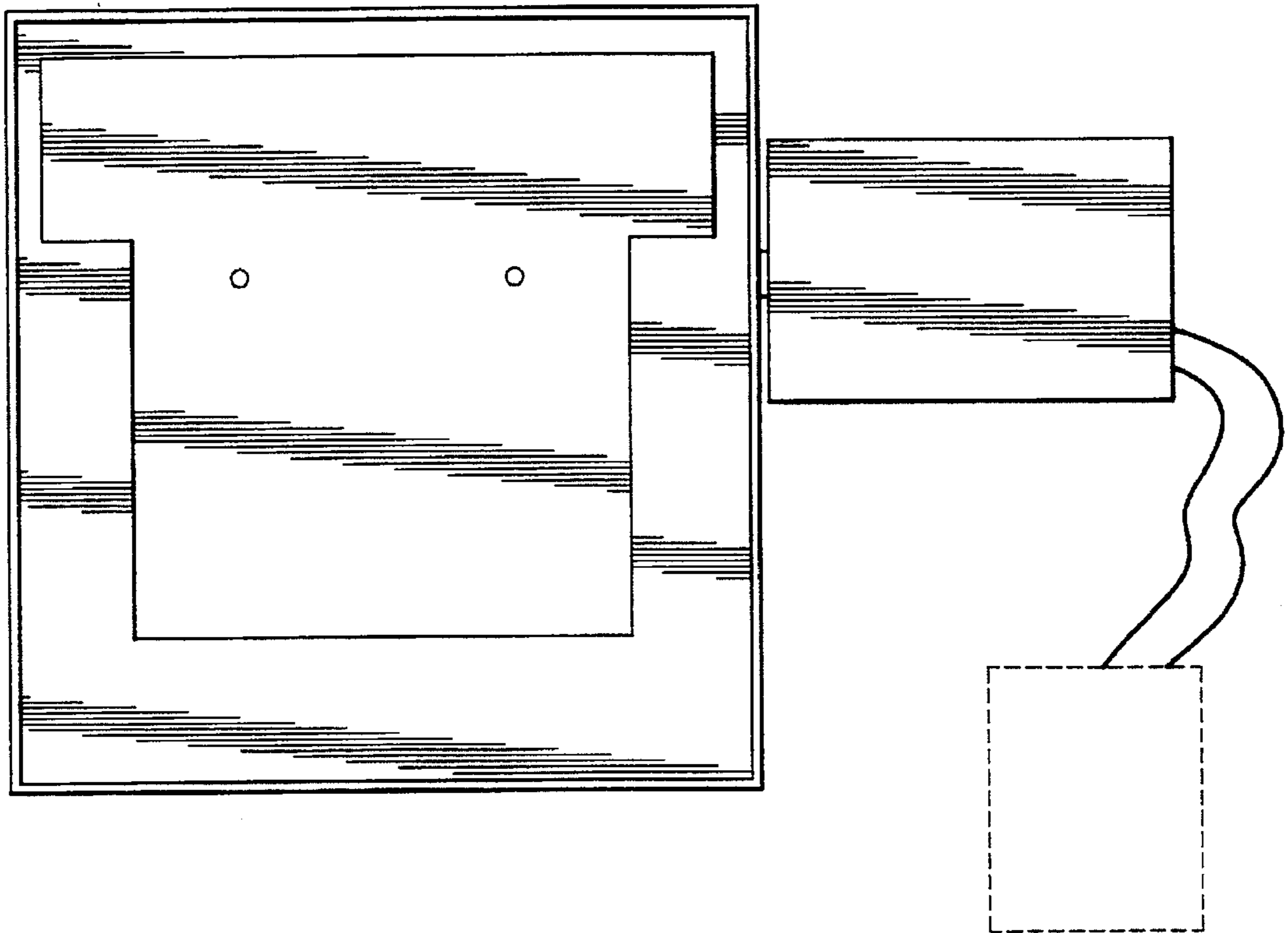


FIG. 7.

