



US00D381738S

United States Patent [19]

Battaini

[11] Patent Number: **Des. 381,738**

[45] Date of Patent: ****Jul. 29, 1997**

[54] **COMBINED REMOTE CONTROL TOILET FLUSHER AND REMOTE THEREFOR**

4,941,215 7/1990 Liu 4/406
5,313,674 5/1994 Chiang et al. 4/406

[76] Inventor: **Lawrence L. Battaini**, 251 Merrill Rd.,
Pittsfield, Mass. 01201

Primary Examiner—Louis S. Zarfes
Assistant Examiner—Eric Watterson
Attorney, Agent, or Firm—Harpman & Harpman

[**] Term: **14 Years**

[57] **CLAIM**

[21] Appl. No.: **38,165**

The ornamental design for a combined remote control toilet flusher and remote therefor, as shown and described.

[22] Filed: **Apr. 28, 1995**

DESCRIPTION

[51] LOC (6) Cl. **23-02**

[52] U.S. Cl. **D23/309**

[58] **Field of Search** D23/301, 303,
D23/309; 4/241, 246.2, 249, 250, 386,
402, 405, 406, 407, 408, 411, 313

FIG. 1 is a front, top and side perspective view of a combined remote control toilet flusher and remote therefor embodying the design of the present invention; FIG. 2 is a front elevational view thereof; FIG. 3 is a rear elevational view thereof; FIG. 4 is a right side elevational view thereof; FIG. 5 is a left side elevational view thereof; FIG. 6 is a top plan view thereof; and, FIG. 7 is a bottom plan view thereof.

[56] **References Cited**

U.S. PATENT DOCUMENTS

D. 352,100 11/1994 Veal D23/309
4,411,029 10/1983 Huang 4/325 X
4,447,919 5/1984 Mobilia 4/325

1 Claim, 4 Drawing Sheets

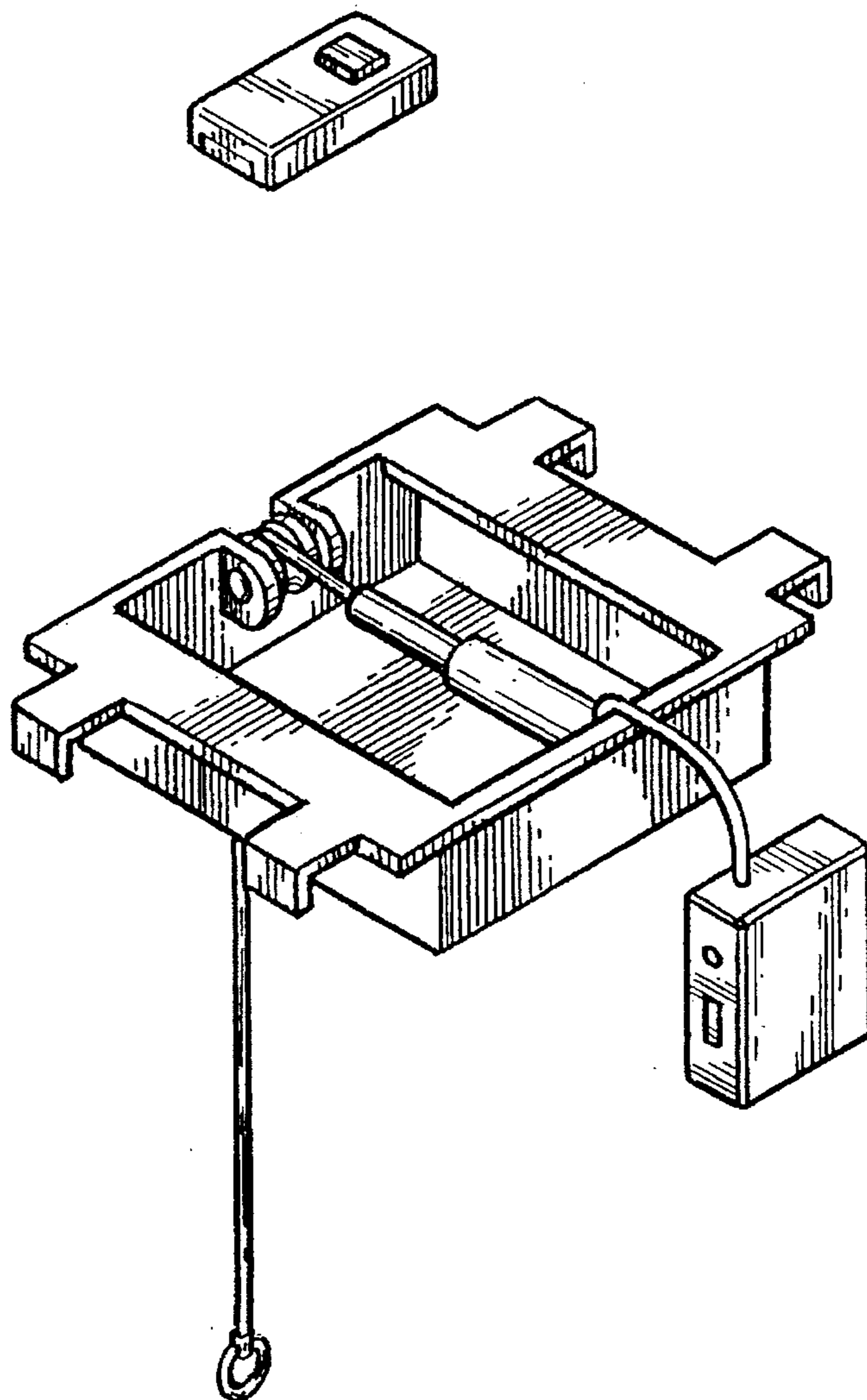
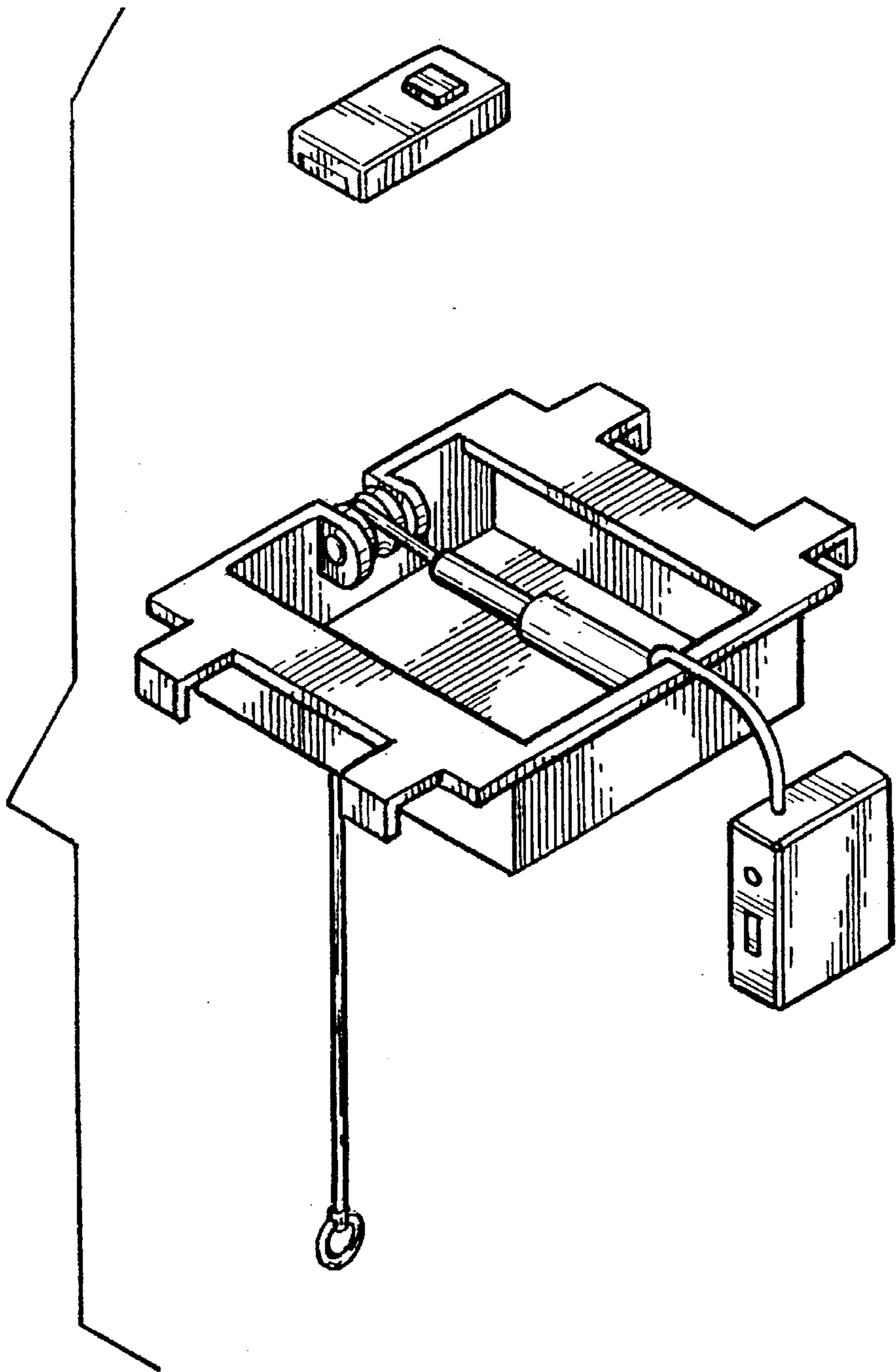


FIG. 1



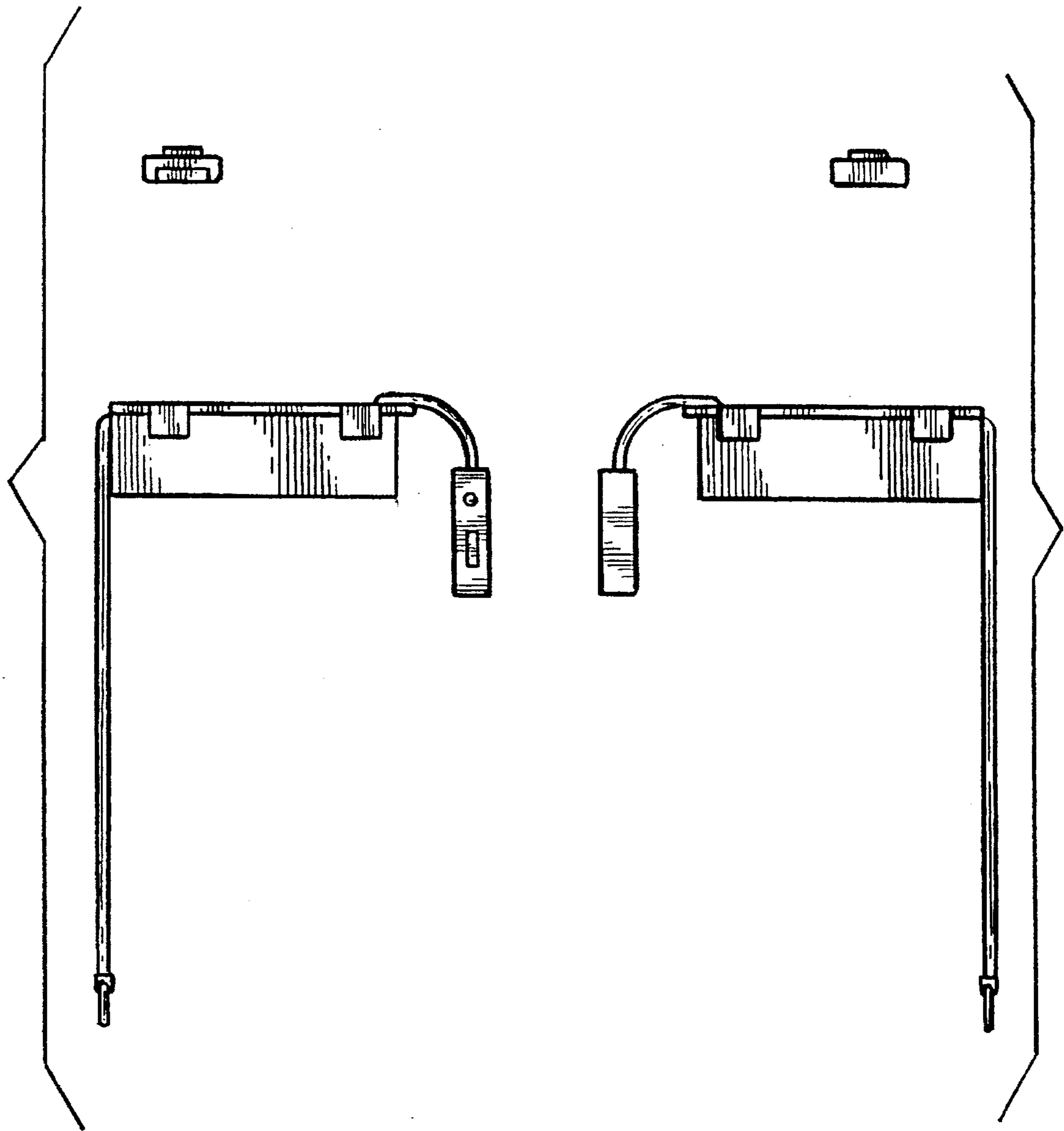


FIG. 2

FIG. 3

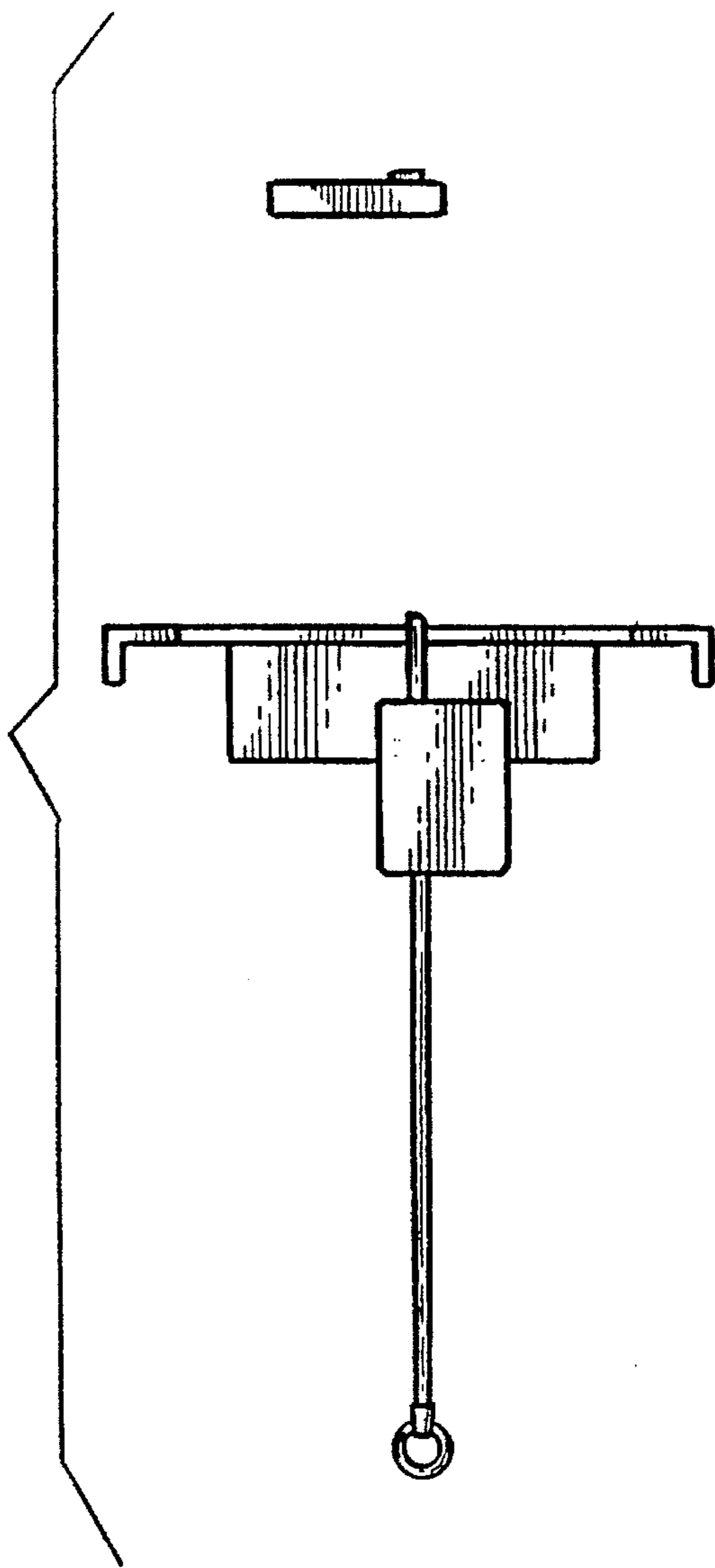


FIG. 4

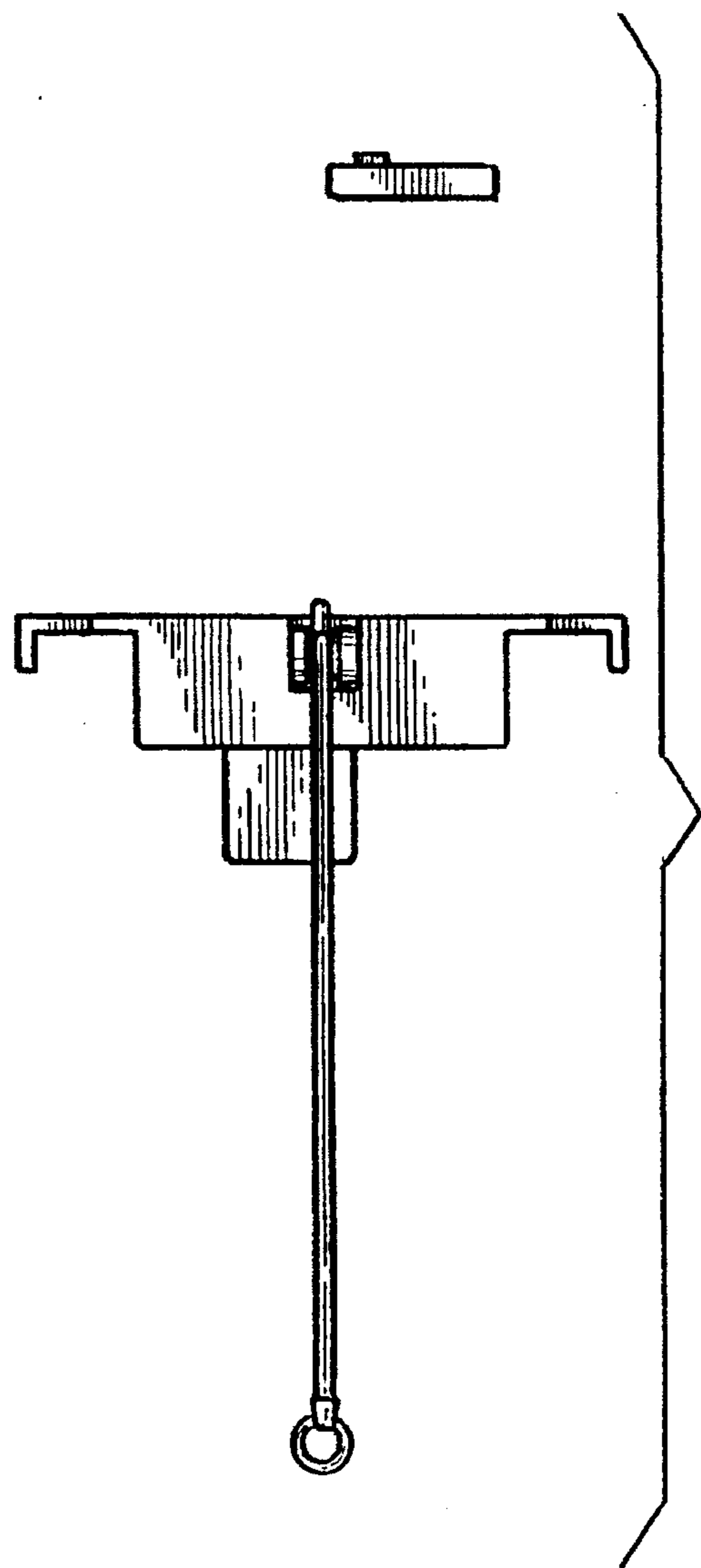


FIG. 5

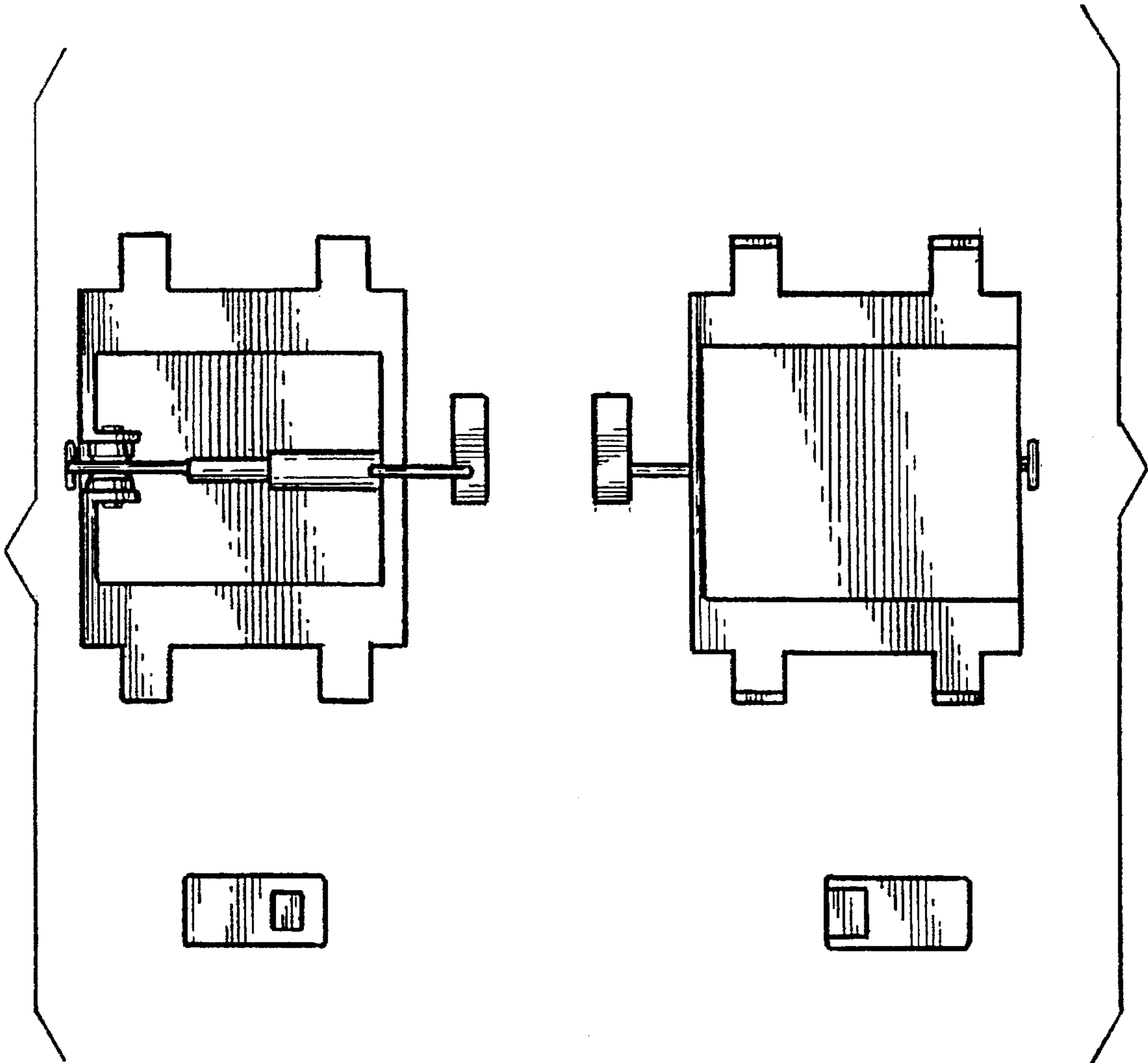


FIG. 6

FIG. 7