



US00D381737S

United States Patent [19] Chan

[11] Patent Number: **Des. 381,737**

[45] Date of Patent: ****Jul. 29, 1997**

[54] **HAND HELD SHOWER HEAD**

[76] Inventor: **Raymond W. M. Chan**, 6263 Balsam Street, Vancouver, Canada, V6M 4C4

[**] Term: **14 Years**

[21] Appl. No.: **15,687**

[22] Filed: **Nov. 24, 1993**

[51] LOC (6) Cl. **23-01**

[52] U.S. Cl. **D23/223**

[58] Field of Search D23/213, 223-229;
239/280-283, 456-460, 443-449, 288,
288.3, 288.5

[56] **References Cited**

U.S. PATENT DOCUMENTS

D. 261,300	10/1981	Klose	D23/223
D. 295,437	4/1988	Fabian	D23/223
D. 328,634	8/1992	Ward	D23/223
4,203,550	5/1980	On	239/449

Primary Examiner—A. Hugo Word
Assistant Examiner—Robin V. Taylor
Attorney, Agent, or Firm—Laff. Whitesel, Conte & Saret, Ltd.

[57] **CLAIM**

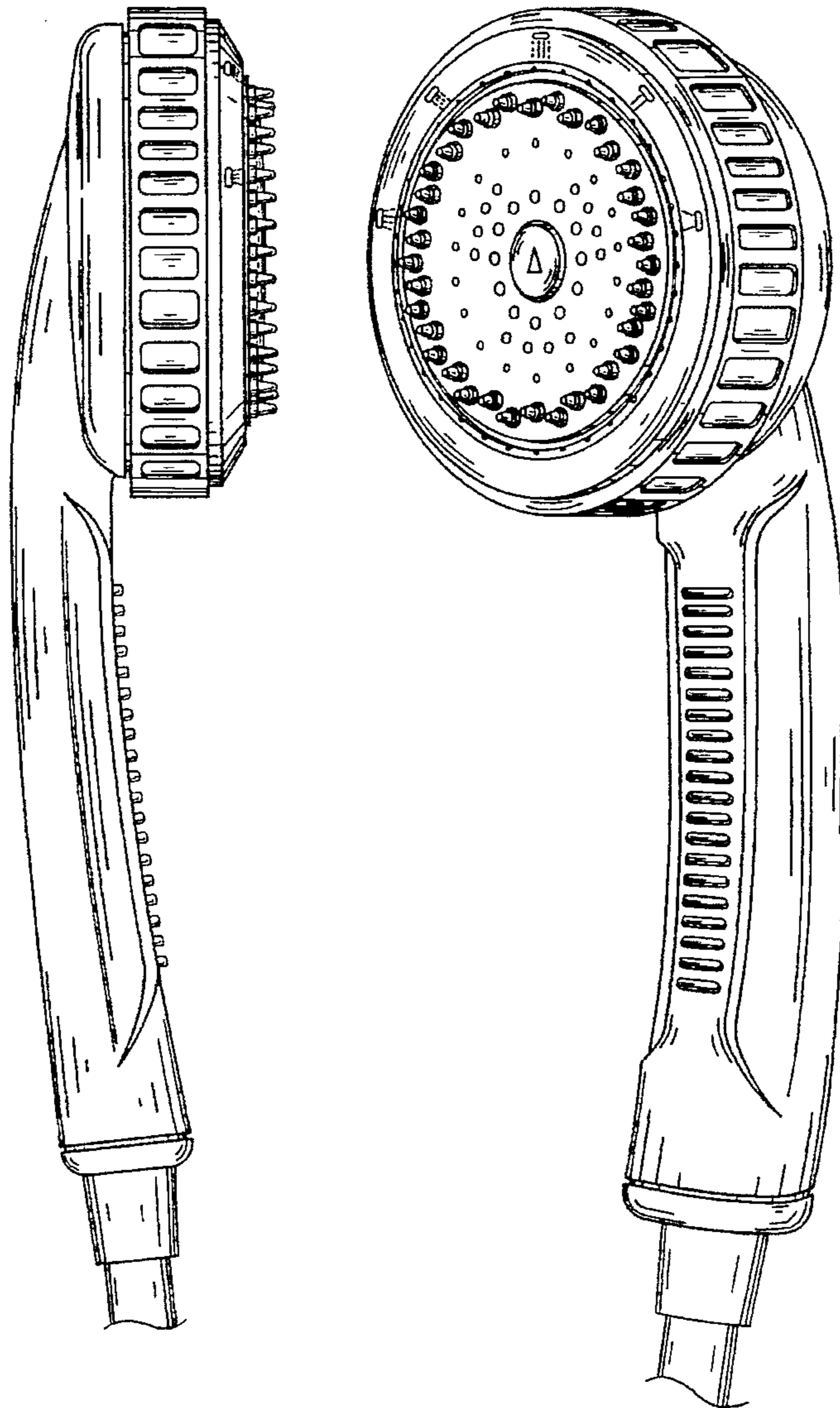
The ornamental design for a hand held shower head, as shown and described.

DESCRIPTION

FIG. 1 is a top plan view of a hand held shower head, showing the new design;
FIG. 2 is a left elevation view thereof;
FIG. 3 is a bottom plan view thereof;
FIG. 4 is a right elevation view thereof;
FIG. 5 is a front elevation view thereof;
FIG. 6 is a rear elevation view thereof; and,
FIG. 7 is a perspective view showing the bottom and side of the hand held shower head.

The hose is shown broken away to indicate indeterminate length.

1 Claim, 4 Drawing Sheets



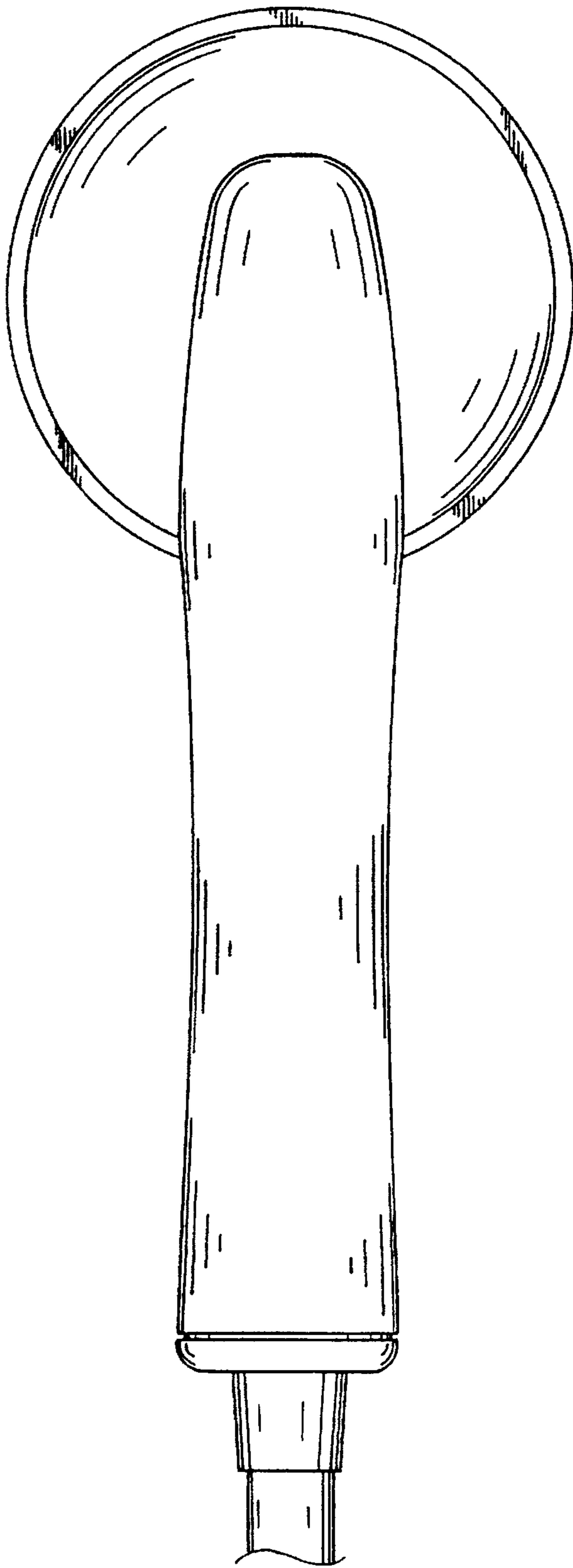


FIG. 1

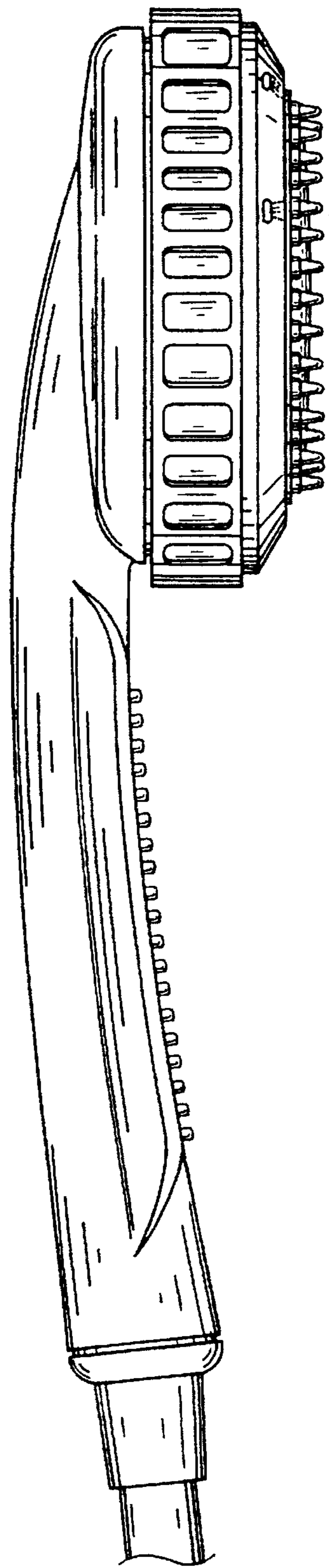


FIG. 2

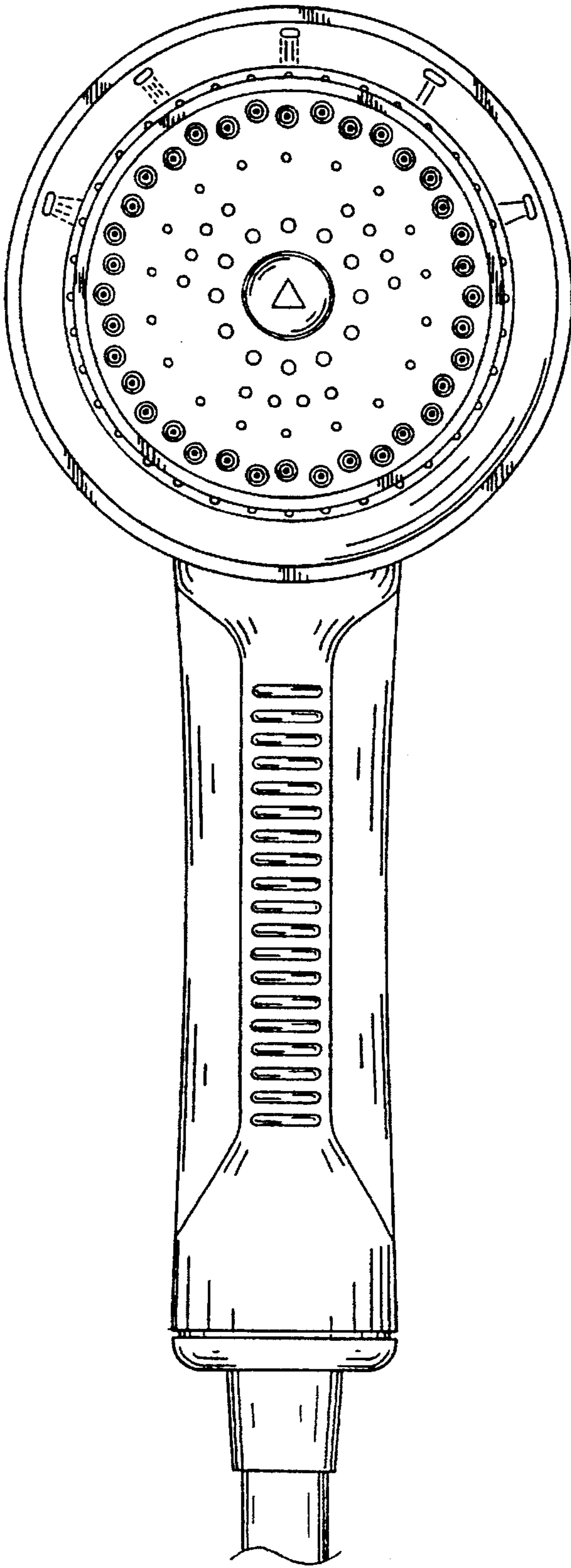


FIG. 3

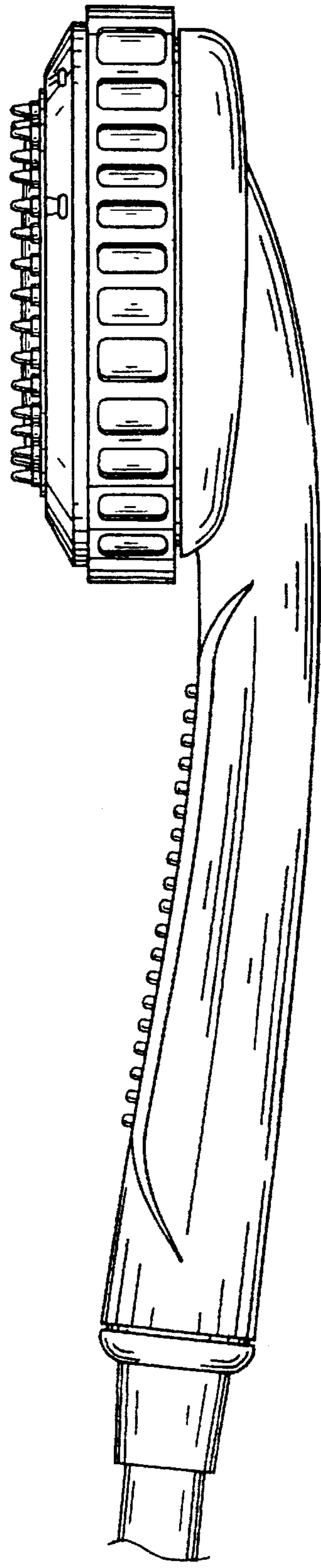


FIG. 4

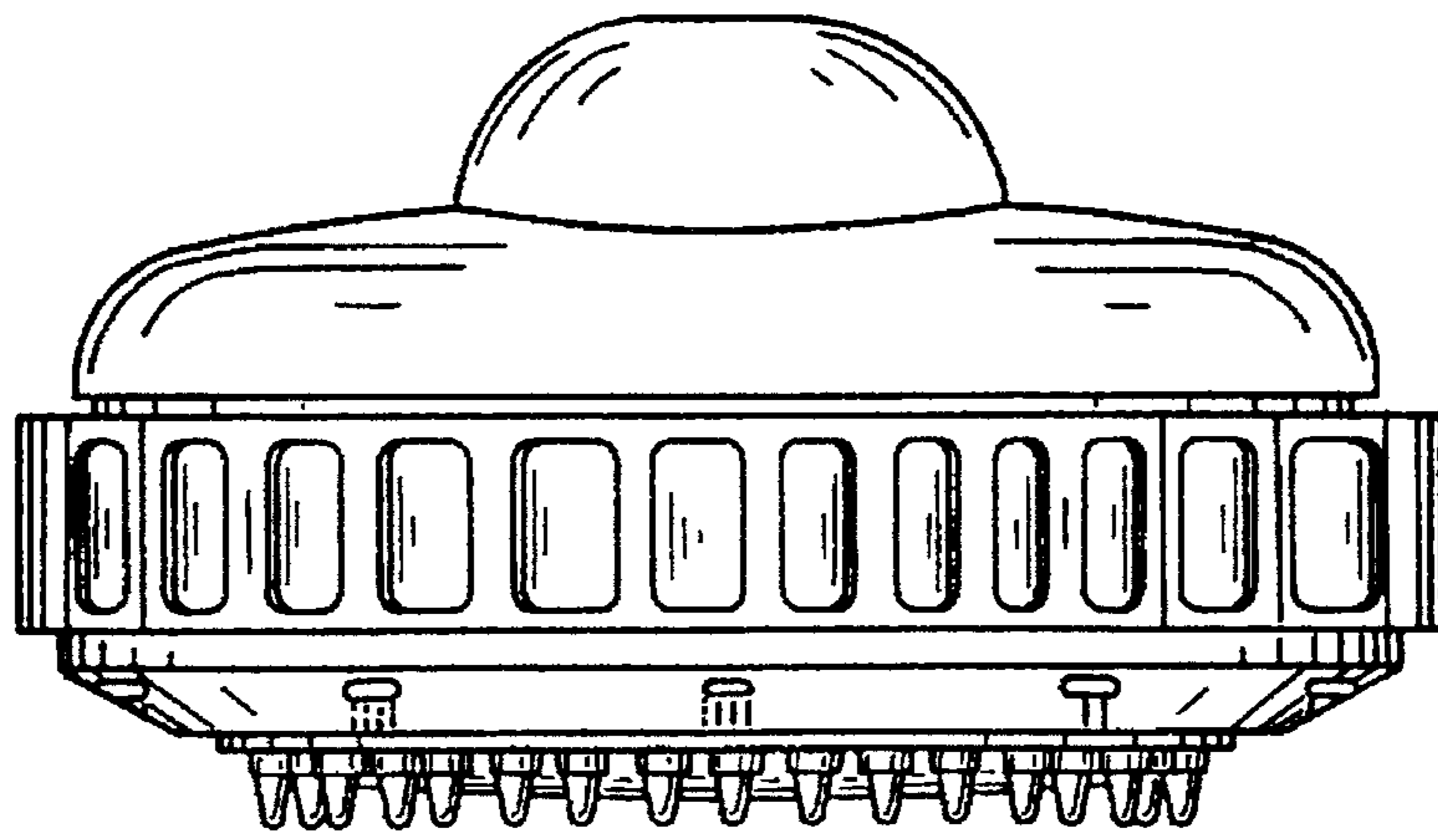


FIG. 5

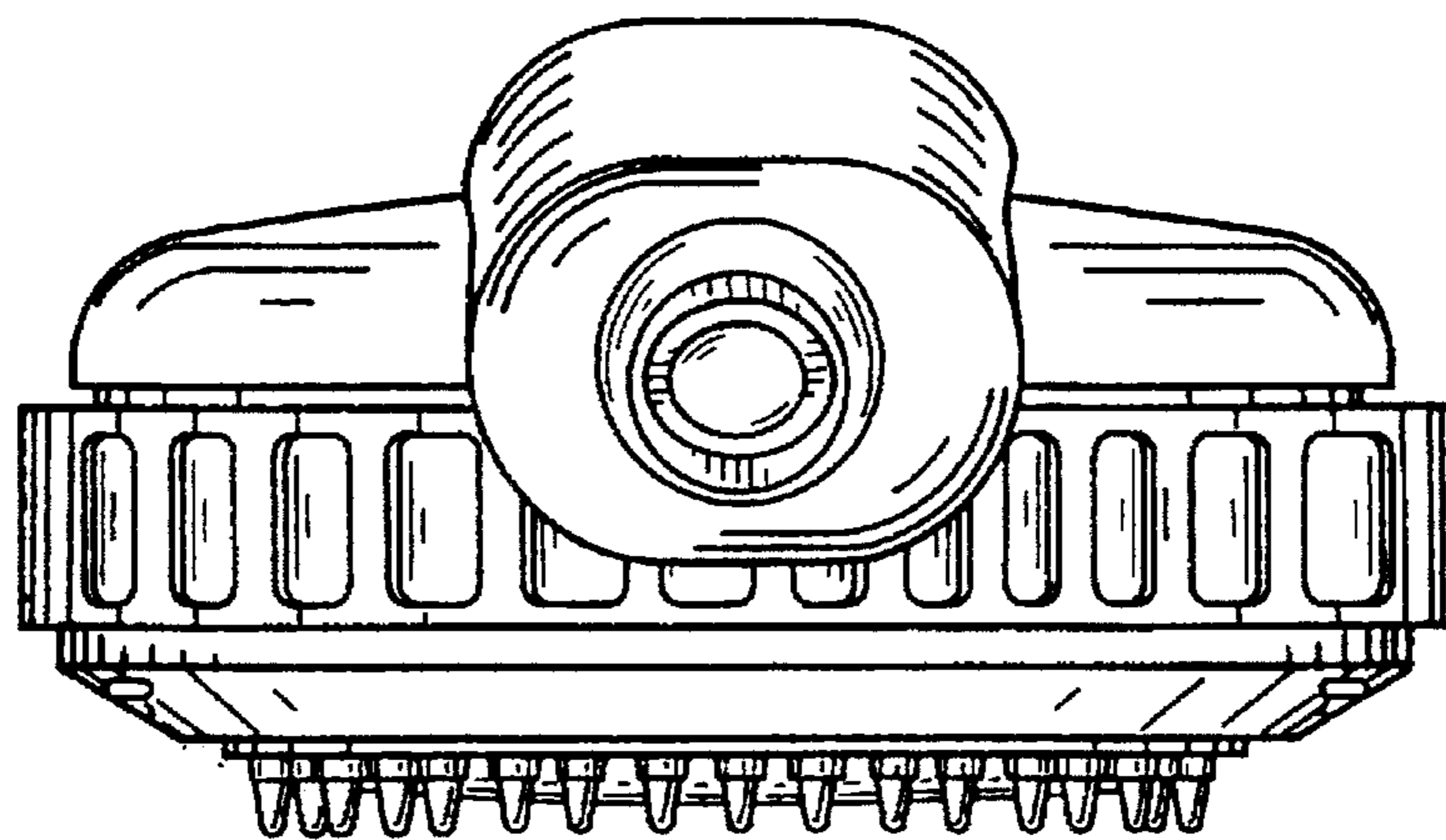


FIG. 6

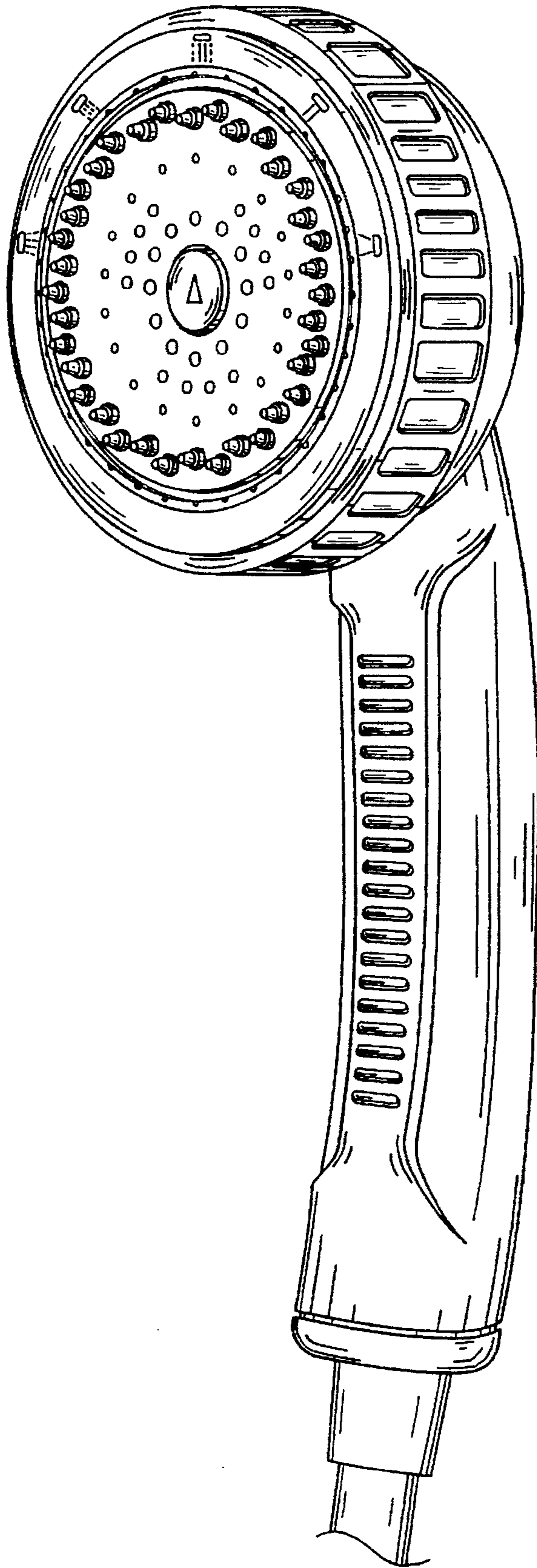


FIG. 7