



US00D381736S

**United States Patent** [19]  
**Grice**

[11] **Patent Number: Des. 381,736**

[45] **Date of Patent: \*\*Jul. 29, 1997**

[54] **REEL SEAT WITH TRIGGER**  
[75] Inventor: **Steve Grice**, Spirit Lake, Iowa  
[73] Assignee: **Berkley, Inc.**, Spirit Lake, Iowa  
[\*\*] Term: **14 Years**

4,334,378 6/1982 Worth ..... 43/22  
4,516,351 5/1985 Highby ..... 43/18.1 X  
4,649,611 3/1987 Myojo ..... 43/18.1  
4,703,578 11/1987 Highby ..... 43/18.1  
4,860,484 8/1989 Green et al. .... 43/22

[21] Appl. No.: **53,111**  
[22] Filed: **Apr. 16, 1996**

**OTHER PUBLICATIONS**

Bass Pro Shop, Spring 1993, p. 3 top reel seat.

*Primary Examiner*—Doris V. Coles  
*Attorney, Agent, or Firm*—Banner & Witcoff, Ltd.

[51] **LOC (6) Cl.** ..... **22-05**  
[52] **U.S. Cl.** ..... **D22/142**  
[58] **Field of Search** ..... D22/142; 43/20,  
43/22, 18.1

[57] **CLAIM**

The ornamental design for a reel seat with trigger, as shown and described.

[56] **References Cited**

**DESCRIPTION**

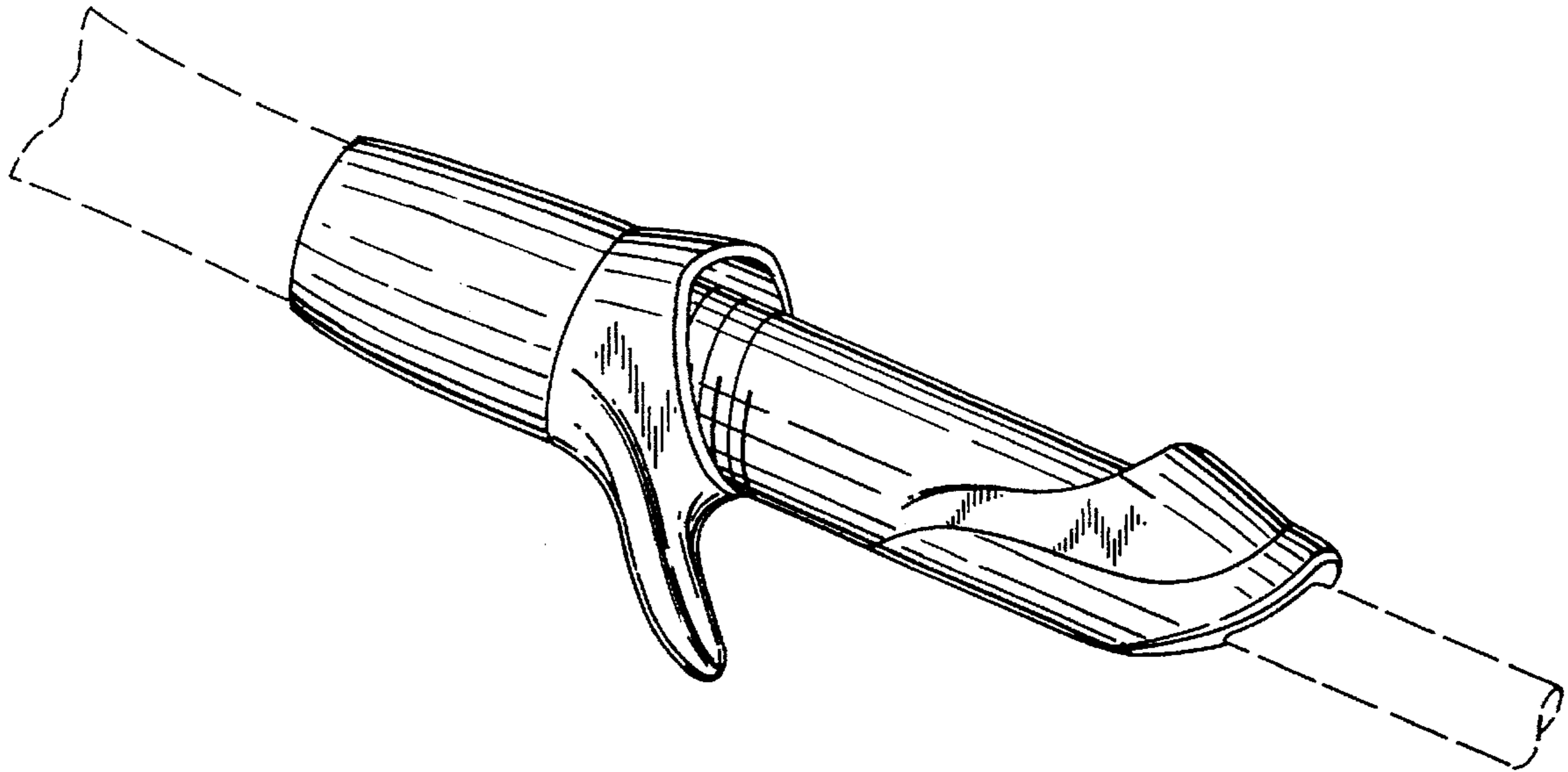
**U.S. PATENT DOCUMENTS**

- D. 165,529 12/1951 Kitterman .
- D. 252,639 8/1979 Ohmura ..... D22/142
- D. 256,837 9/1980 Endo et al. .... D22/142
- D. 258,231 2/1981 Airhart ..... D22/142
- D. 266,427 10/1982 McMickle et al. .
- D. 300,651 4/1989 Lassi ..... D22/142
- D. 301,051 5/1989 Lassi ..... D22/142
- D. 314,036 1/1991 Oyama ..... D22/142
- D. 327,727 7/1992 Robbins et al. .... D22/142
- D. 341,408 11/1993 Grice ..... D22/142
- D. 342,985 1/1994 Grice ..... D22/142
- D. 343,225 1/1994 Grice ..... D22/142
- D. 347,878 6/1994 Grice ..... D22/142
- 4,043,071 8/1977 Lando ..... 43/23

FIG. 1 is a perspective view of a reel seat with trigger showing my new design;  
FIG. 2 is a front view thereof;  
FIG. 3 is a rear view thereof;  
FIG. 4 is a side elevational view thereof, the other side being a mirror image;  
FIG. 5 is a top view thereof;  
FIG. 6 is a bottom view thereof; and,  
FIG. 7 is a cross-sectional view taken along the line 7—7 of FIG. 4.

The broken line showing of a fishing rod handgrip portion and blank is for illustrative purposes only and forms no part of the claimed design.

**1 Claim, 2 Drawing Sheets**



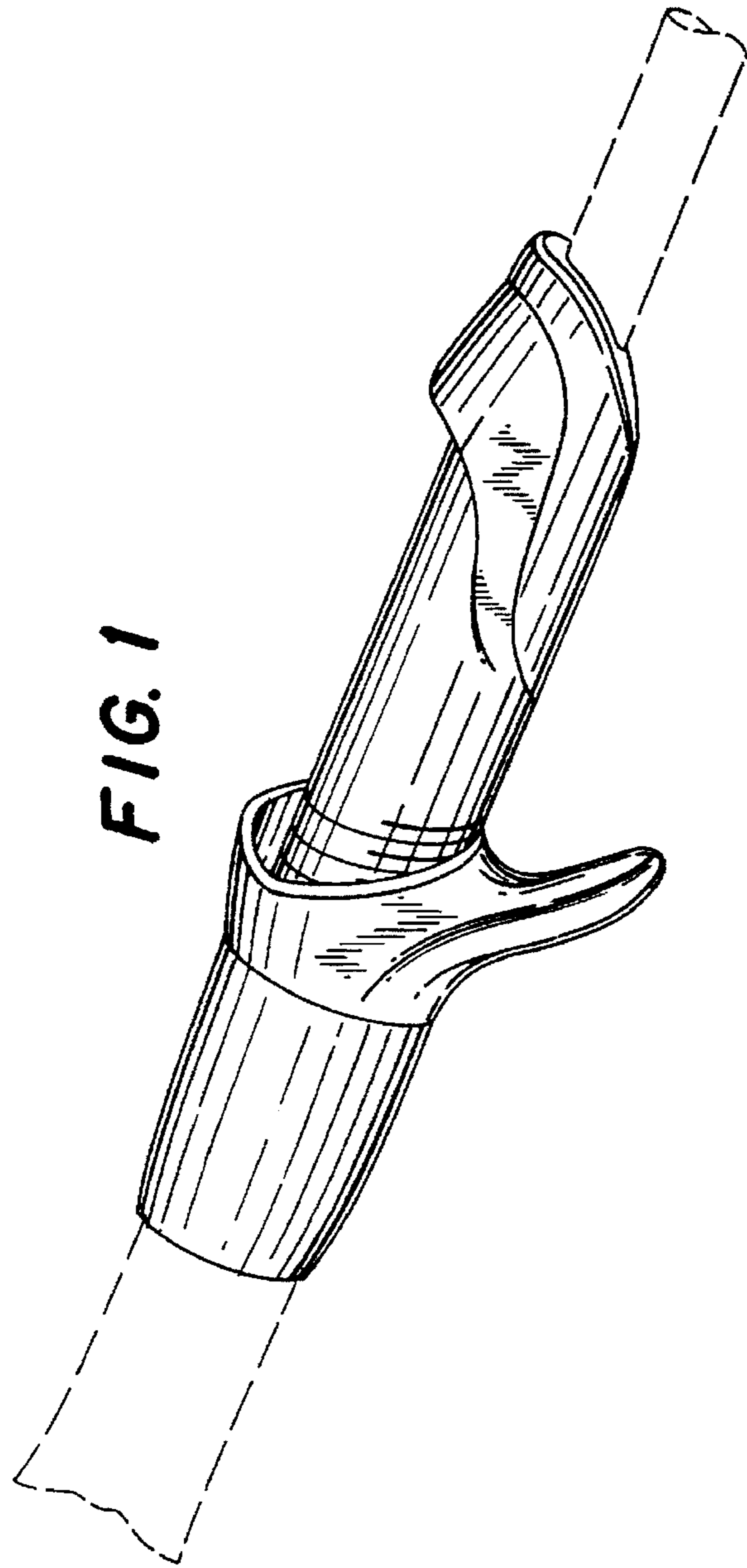


FIG. 1

FIG. 7

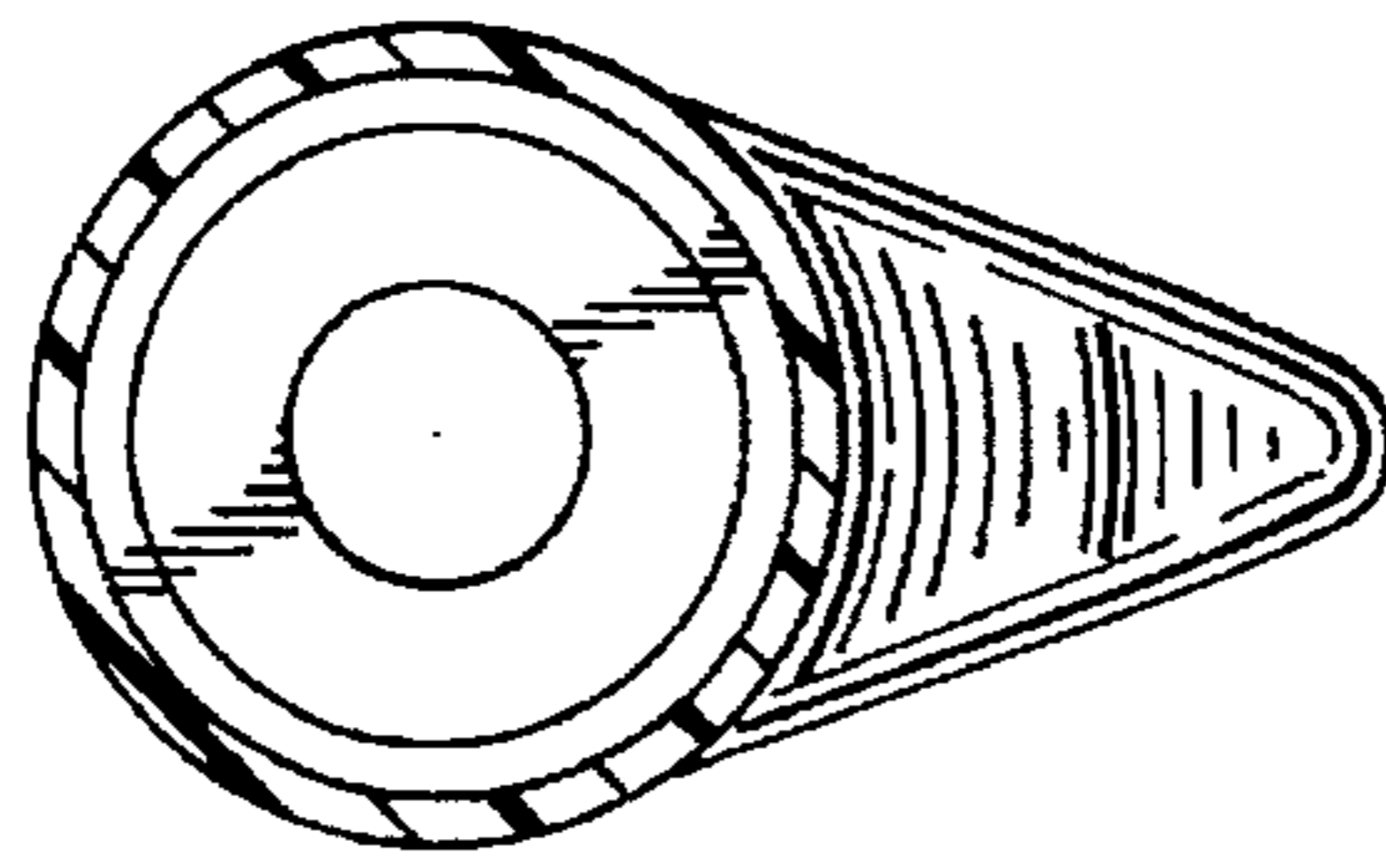


FIG. 2

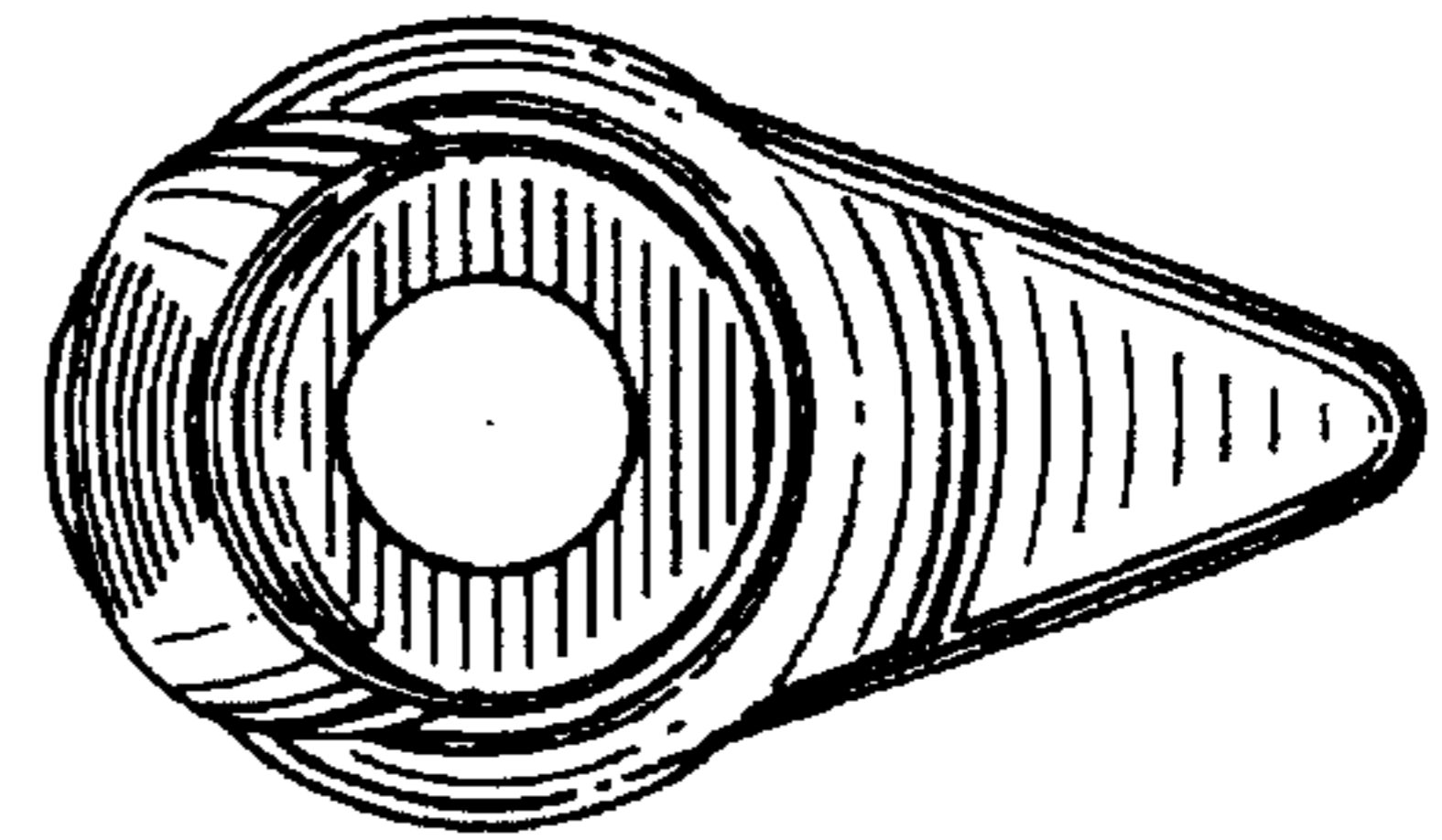
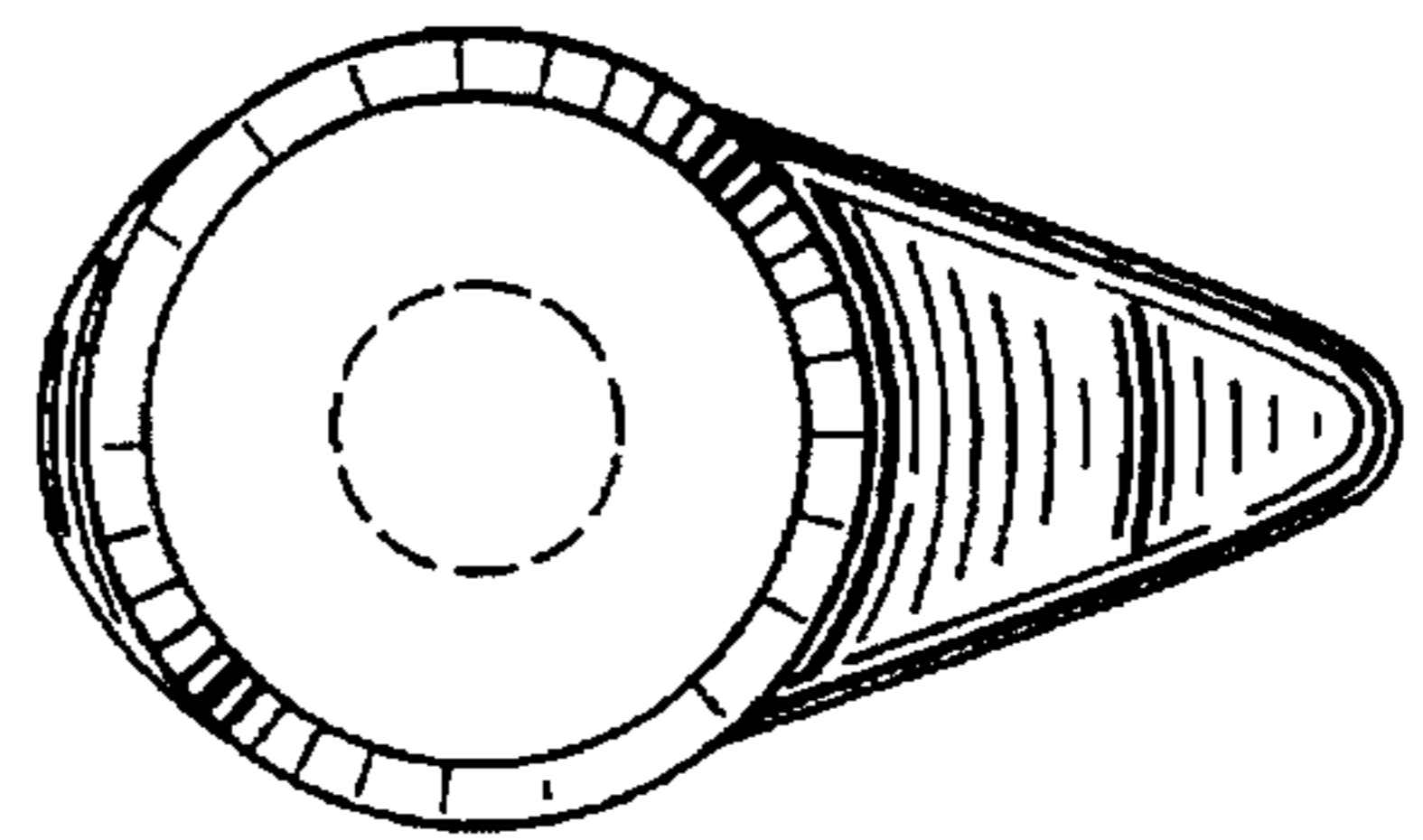
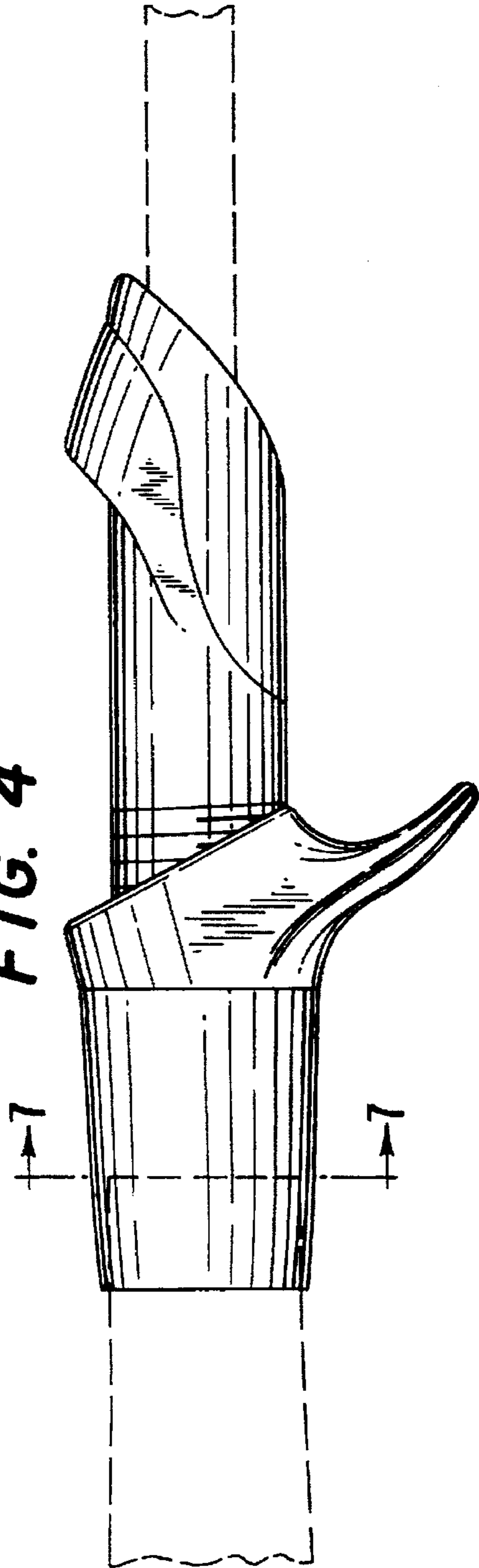


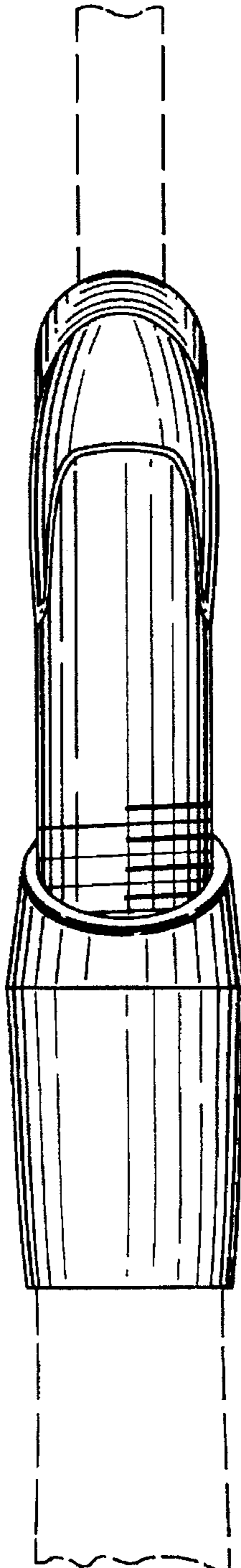
FIG. 3



**FIG. 4**



**FIG. 5**



**FIG. 6**

