



US00D381734S

United States Patent [19]

Murphy

[11] Patent Number: **Des. 381,734**

[45] Date of Patent: ****Jul. 29, 1997**

[54] **SUBMERSIBLE FISH ATTRACTING LIGHT**

[76] Inventor: **Cline J. Murphy**, P.O. Box 941,
Pearland, Tex. 77588

[**] Term: **14 Years**

[21] Appl. No.: **53,869**

[22] Filed: **May 1, 1996**

[51] LOC (6) Cl. **22-05**

[52] U.S. Cl. **D22/134; D26/75**

[58] Field of Search **D22/134; D26/75,**
D26/78; 43/17.5, 17.6; 362/158, 267, 154,
222, 221, 217

[56] **References Cited**

U.S. PATENT DOCUMENTS

D. 280,025	8/1985	Waters	D26/75
D. 342,332	12/1993	Zahn et al.	D26/75 X
4,429,350	1/1984	Guthrie	362/158 X
4,460,941	7/1984	Miller	D22/134
4,779,174	10/1988	Staten et al.	362/158
5,190,366	3/1993	World	43/17.5 X
5,195,266	3/1993	Troescher	43/17.5 X
5,213,405	5/1993	Giglia	43/17.5 X

5,388,039	2/1995	Dolph	43/17.6 X
5,416,676	5/1995	Carpenter	362/158
5,546,290	8/1996	Gonzalez et al.	362/267 X

Primary Examiner—Doris V. Coles
Attorney, Agent, or Firm—Kenneth A. Roddy

[57] **CLAIM**

The ornamental design for a submersible fish attracting light, as shown and described.

DESCRIPTION

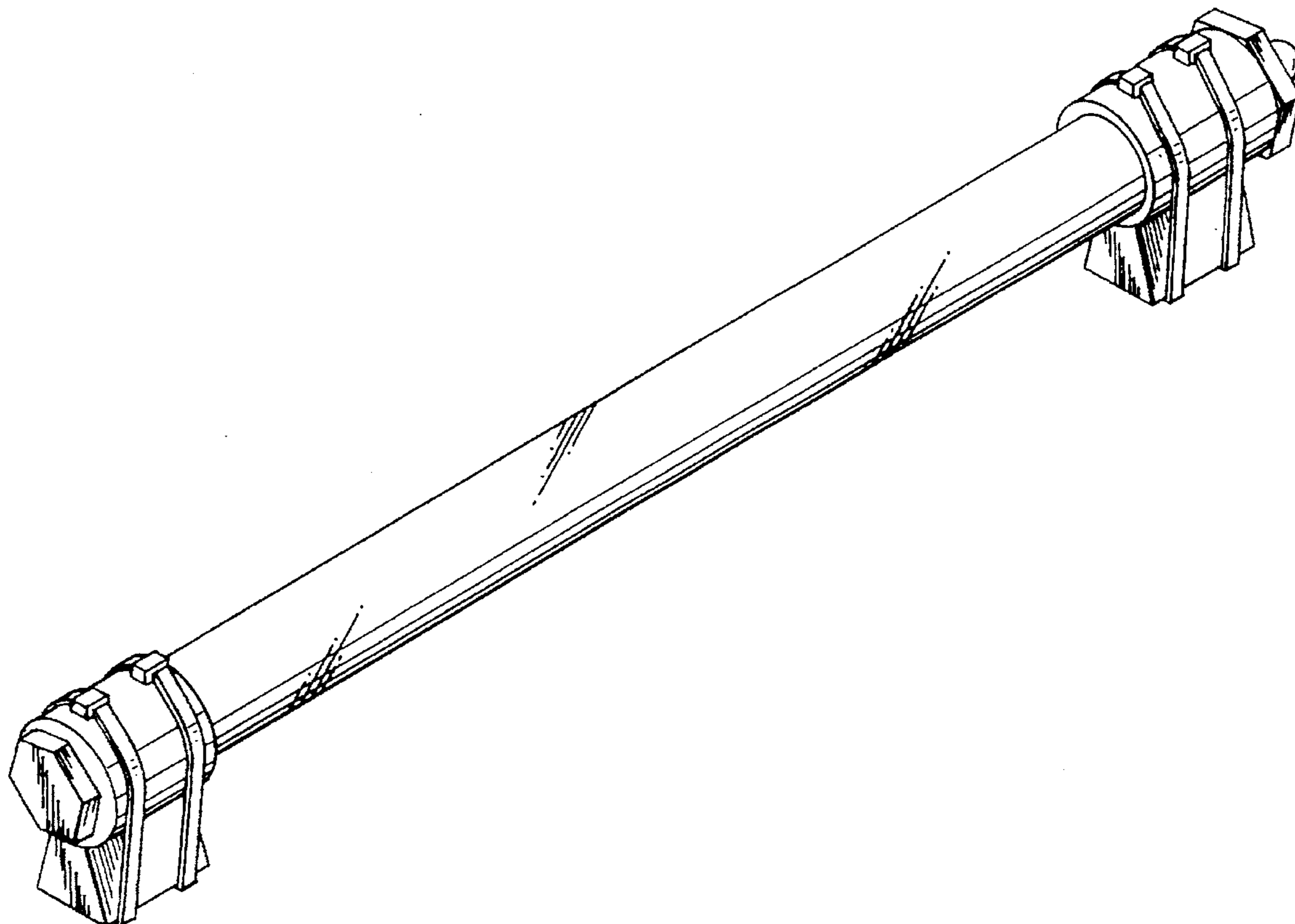
FIG. 1 is a perspective view of a submersible fish attracting light showing my new design from the top, one end, and one side;

FIG. 2 is a perspective view thereof showing my new design from the bottom, and end and side opposite that shown in FIG. 1;

FIG. 3 is a perspective view of a second embodiment of the submersible fish attracting light showing my new design for the top, one end, and one side; and,

FIG. 4 is a perspective view thereof showing my new design from the bottom, and end and side opposite that shown in FIG. 3.

1 Claim, 3 Drawing Sheets



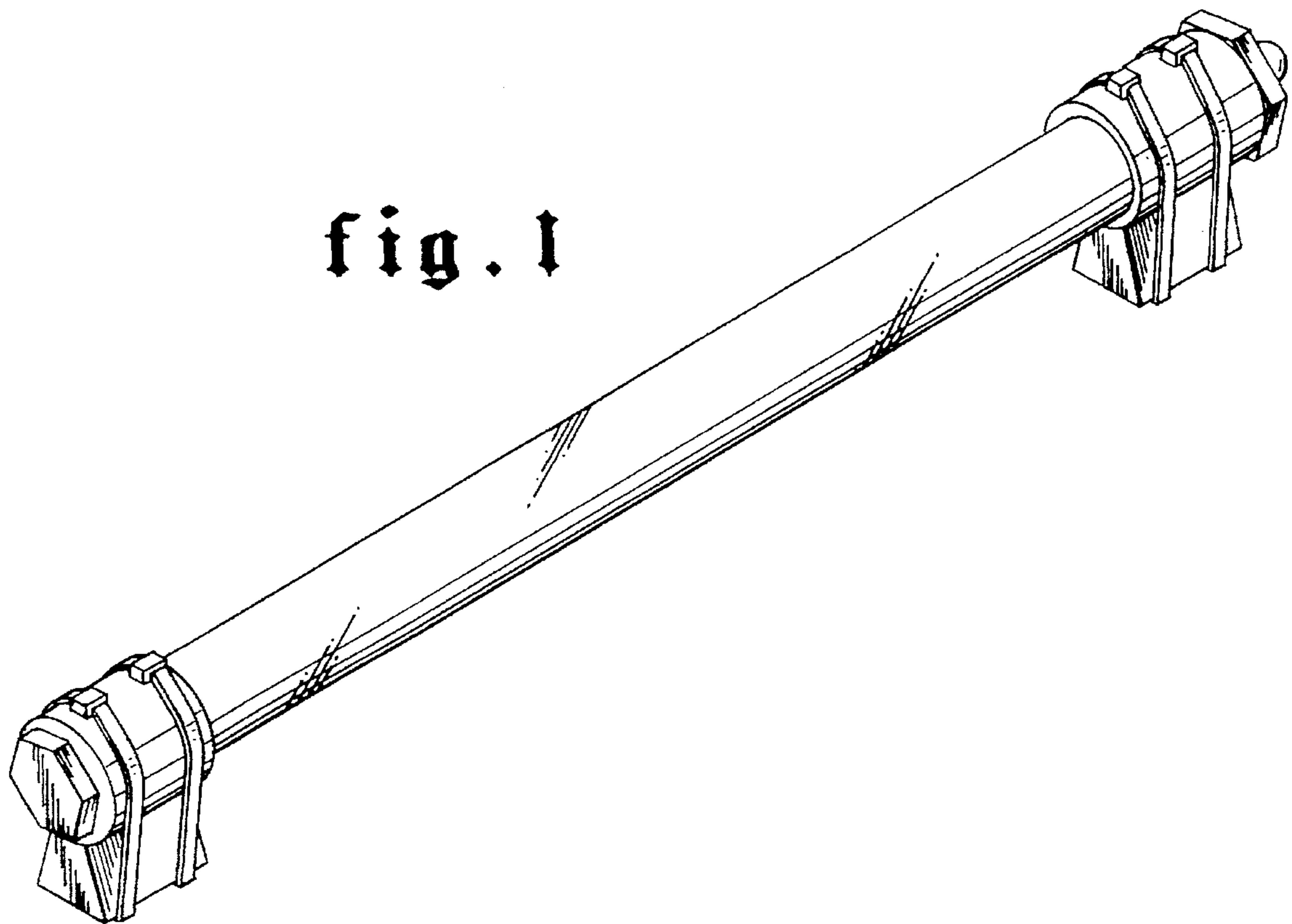


fig. 1

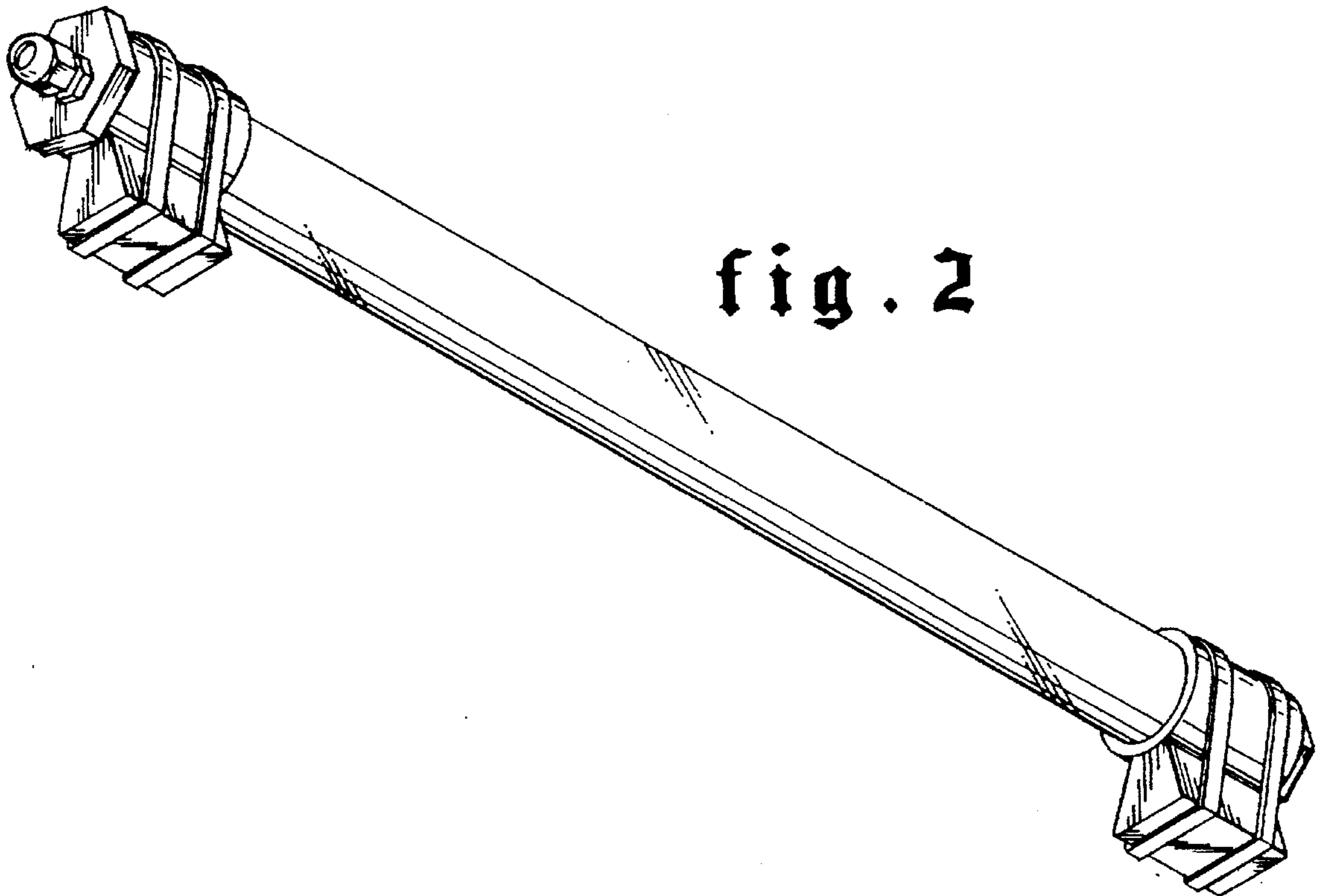


fig. 2

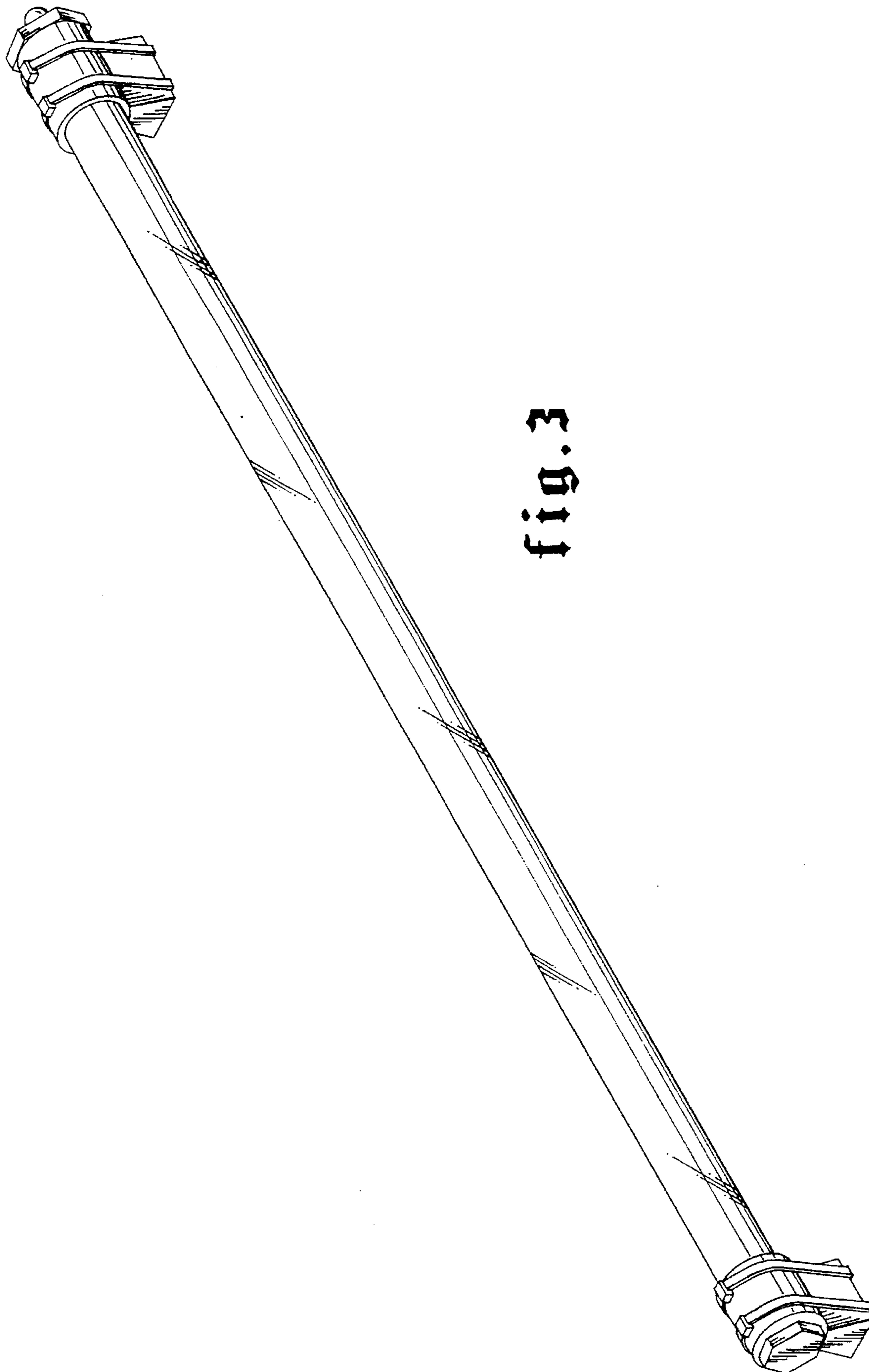


fig. 3

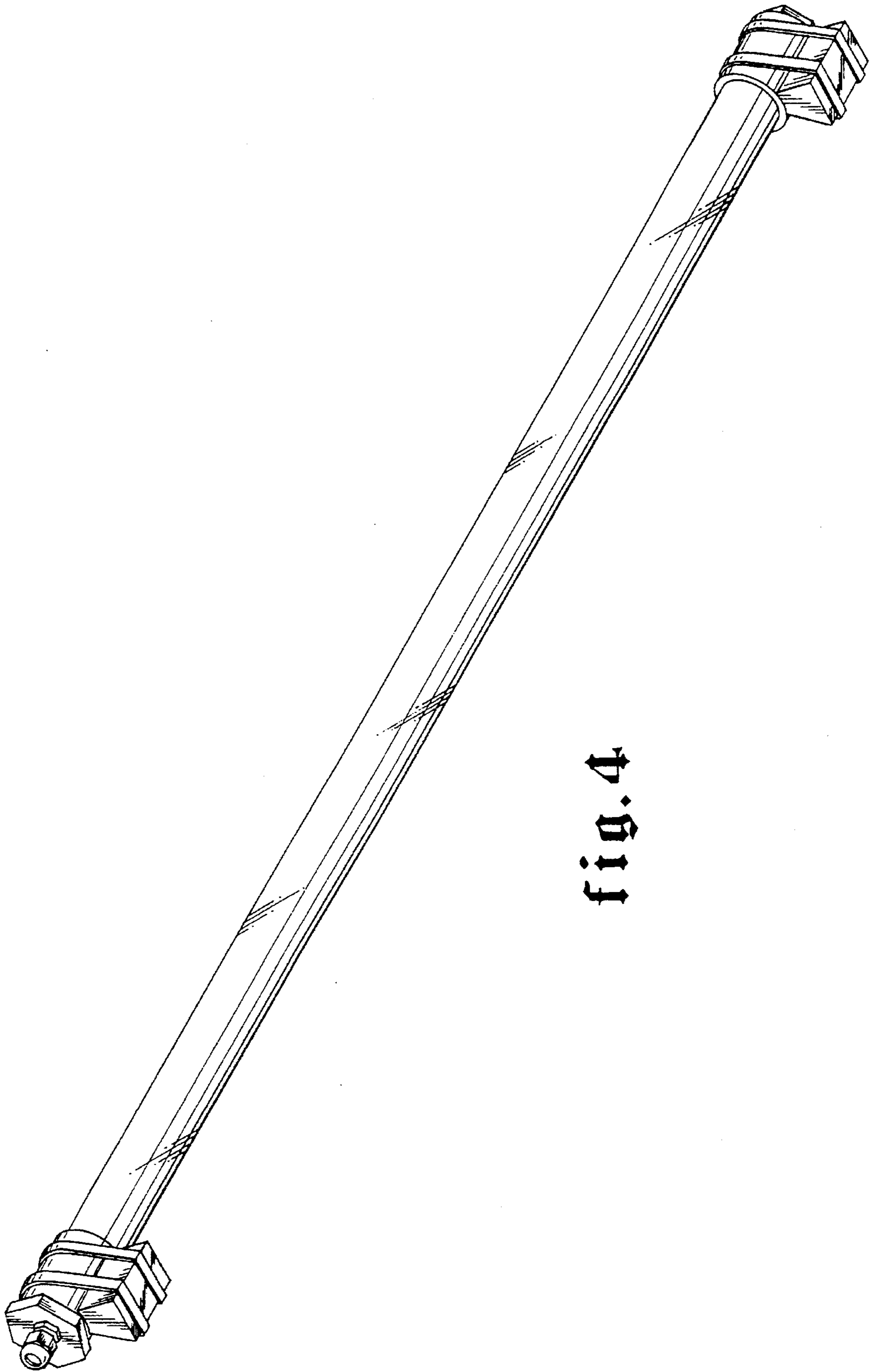


fig. 4