



US00D381731S

United States Patent [19]

Charette et al.

[11] Patent Number: **Des. 381,731**

[45] Date of Patent: ****Jul. 29, 1997**

[54] **ARCHERY BARREL**

1,945,154	1/1934	McPherson	33/241	X
3,181,262	5/1965	Bridge, Sr.	42/102	X
4,976,184	12/1990	Bunczk	D22/108	X

[76] Inventors: **John Charette; Richard C. Brewer, III**, both of P.O. Box 591, Springvale, Me. 04083

Primary Examiner—Louis S. Zarfaz
Assistant Examiner—Monica A. Weingart
Attorney, Agent, or Firm—William Nitkin

[**] Term: **14 Years**

[57] **CLAIM**

[21] Appl. No.: **50,448**

The ornamental design for an archery barrel, as shown and described.

[22] Filed: **Feb. 20, 1996**

[51] LOC (6) Cl. **22-01**

[52] U.S. Cl. **D22/107; D22/100**

[58] **Field of Search** D22/100, 101, D22/102, 103, 107, 108, 109, 199; D21/145, 146; 33/233, 241, 261; 42/102; 124/24.1, 25

DESCRIPTION

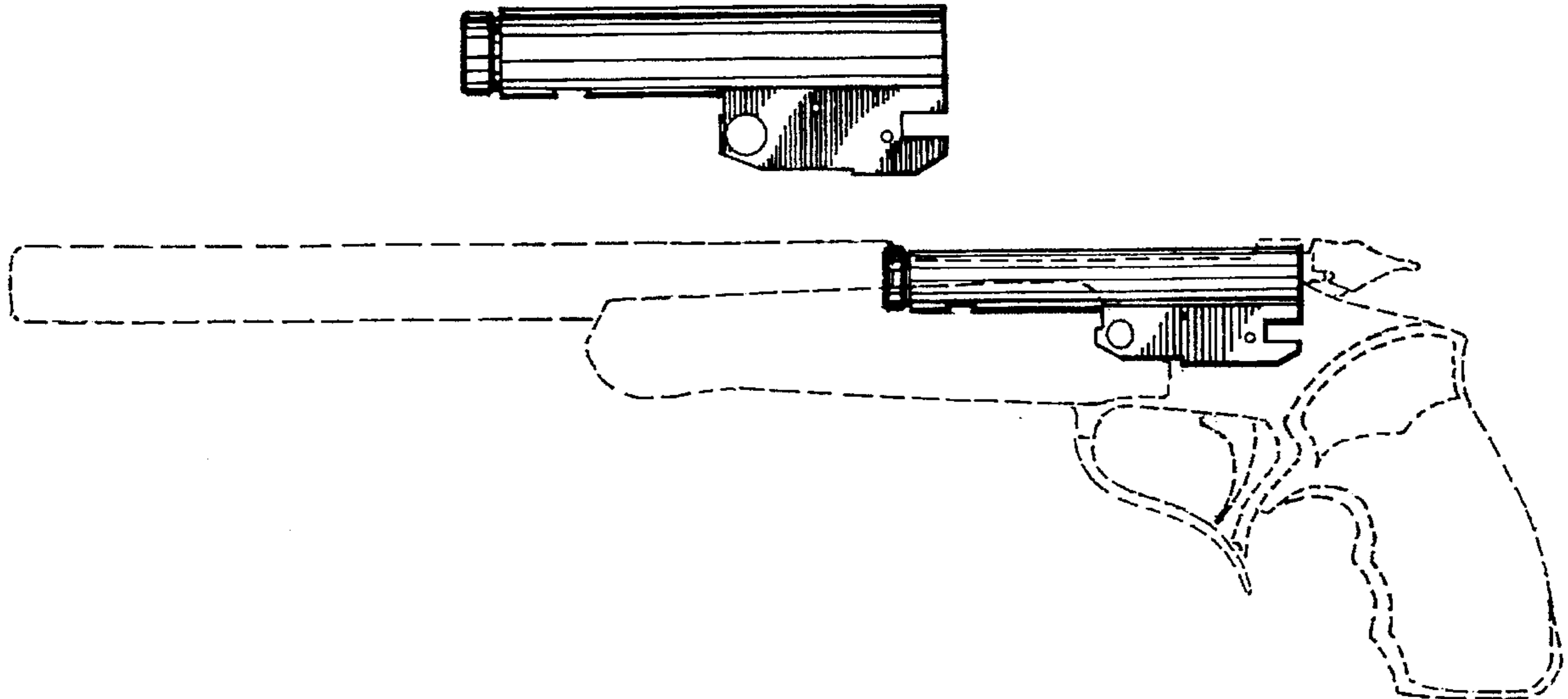
FIG. 1 is a left side elevational view of an archery barrel showing my new design;
FIG. 2 is a right side elevational view thereof;
FIG. 3 is a rear elevational view thereof;
FIG. 4 is a front elevational view thereof;
FIG. 5 is a top plan view thereof;
FIG. 6 is a bottom plan view thereof; and,
FIG. 7 is a left side elevational view thereof.
The broken line showing of a gun is for illustrative purposes only and forms no part of the claimed design.

[56] **References Cited**

U.S. PATENT DOCUMENTS

D. 279,812	7/1985	Cellini	D22/108
D. 285,237	8/1986	Cellini	D22/108
1,083,041	12/1913	Worgan et al.	D21/145 X
1,217,162	2/1917	Egbers	D22/103 X

1 Claim, 2 Drawing Sheets



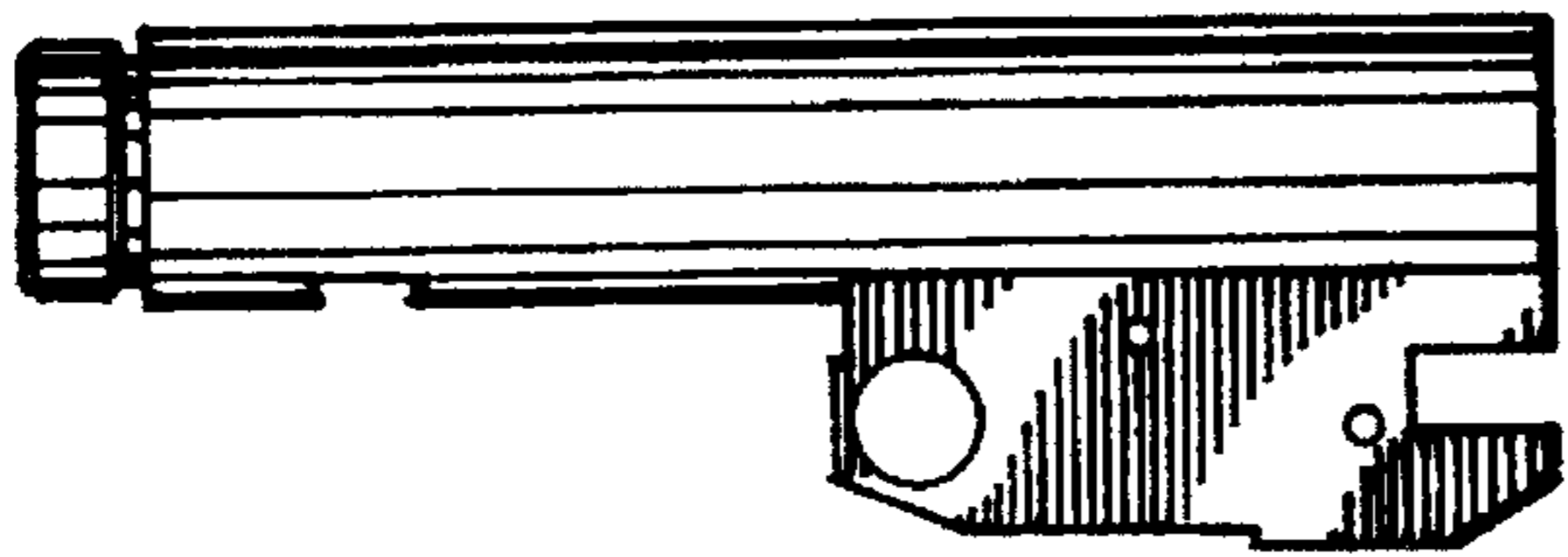


FIG. 1

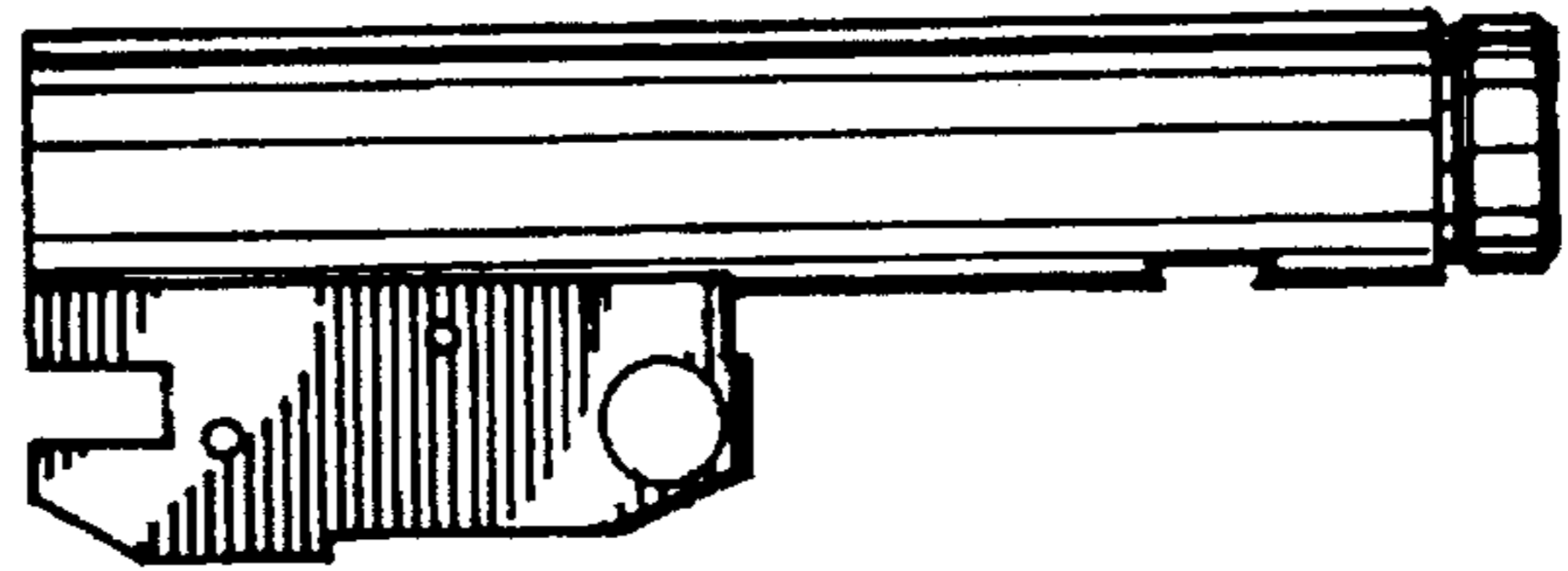


FIG. 2

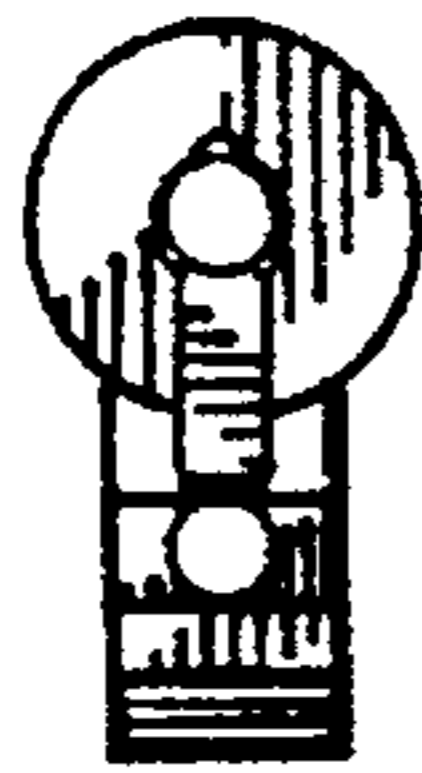


FIG. 3



FIG. 4

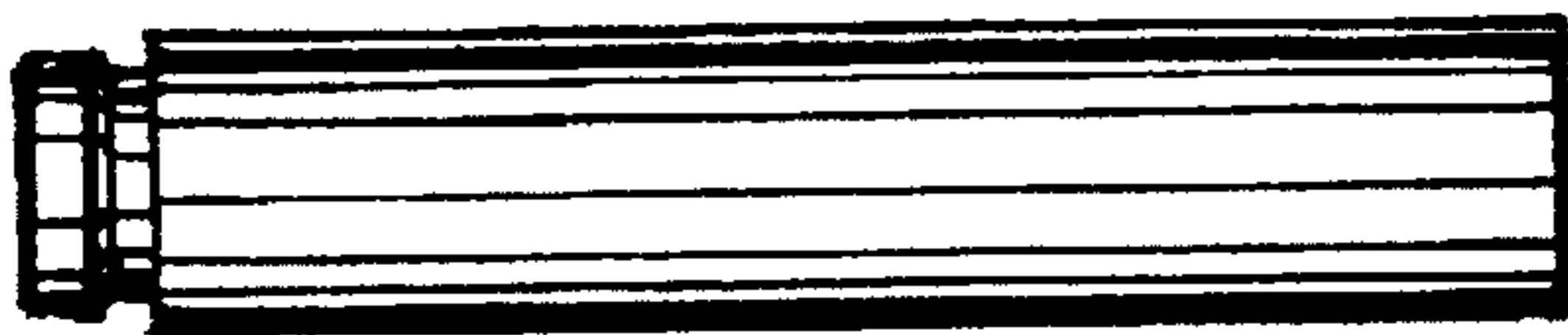


FIG. 5



FIG. 6

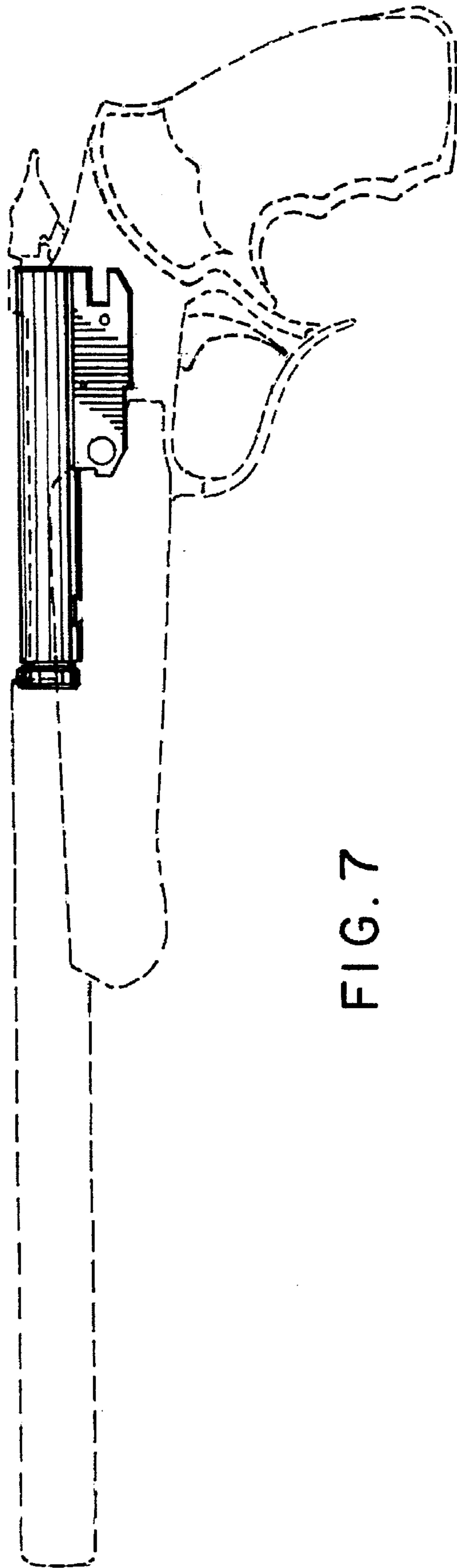


FIG. 7