



US00D381719S

United States Patent [19]
Pravitz

[11] **Patent Number: Des. 381,719**

[45] **Date of Patent: **Jul. 29, 1997**

[54] **GYROSCOPIC EXERCISER**

[76] Inventor: **Kenneth L. Pravitz**, 310 Elizabeth La.,
Corona, Calif. 91720

[**] Term: **14 Years**

[21] Appl. No.: **51,236**

[22] Filed: **Mar. 6, 1996**

[51] LOC (6) Cl. **21-02**

[52] U.S. Cl. **D21/198**

[58] Field of Search D21/191, 198,
D21/92; 446/233, 258, 484; 482/45, 110,
115

[56] **References Cited**

U.S. PATENT DOCUMENTS

D. 286,312	10/1986	Tsuzuki	D21/198
D. 351,437	10/1994	Pravitz	D21/198
D. 365,612	12/1995	Pravitz	D21/198
3,874,663	4/1975	Kahle	446/233

4,150,580	4/1979	Silkebakken et al.	446/233
4,684,124	8/1987	Escher	482/110
4,713,039	12/1987	Wong	446/233
5,150,625	9/1992	Mishler	446/233
5,353,655	10/1994	Mishler	446/233

Primary Examiner—Philip S. Hyder
Attorney, Agent, or Firm—Willie Krawitz

[57] **CLAIM**

The ornamental design for a gyroscopic exerciser, as shown.

DESCRIPTION

FIG. 1 is a top plan view of a gyroscopic exerciser, showing my new design;
FIG. 2 is a left side elevation view thereof;
FIG. 3 is a rear elevation view thereof;
FIG. 4 is a front side elevation view thereof;
FIG. 5 is a bottom plan view thereof;
FIG. 6 is a right side view thereof; and,
FIG. 7 is an upper, perspective view thereof.

1 Claim, 1 Drawing Sheet

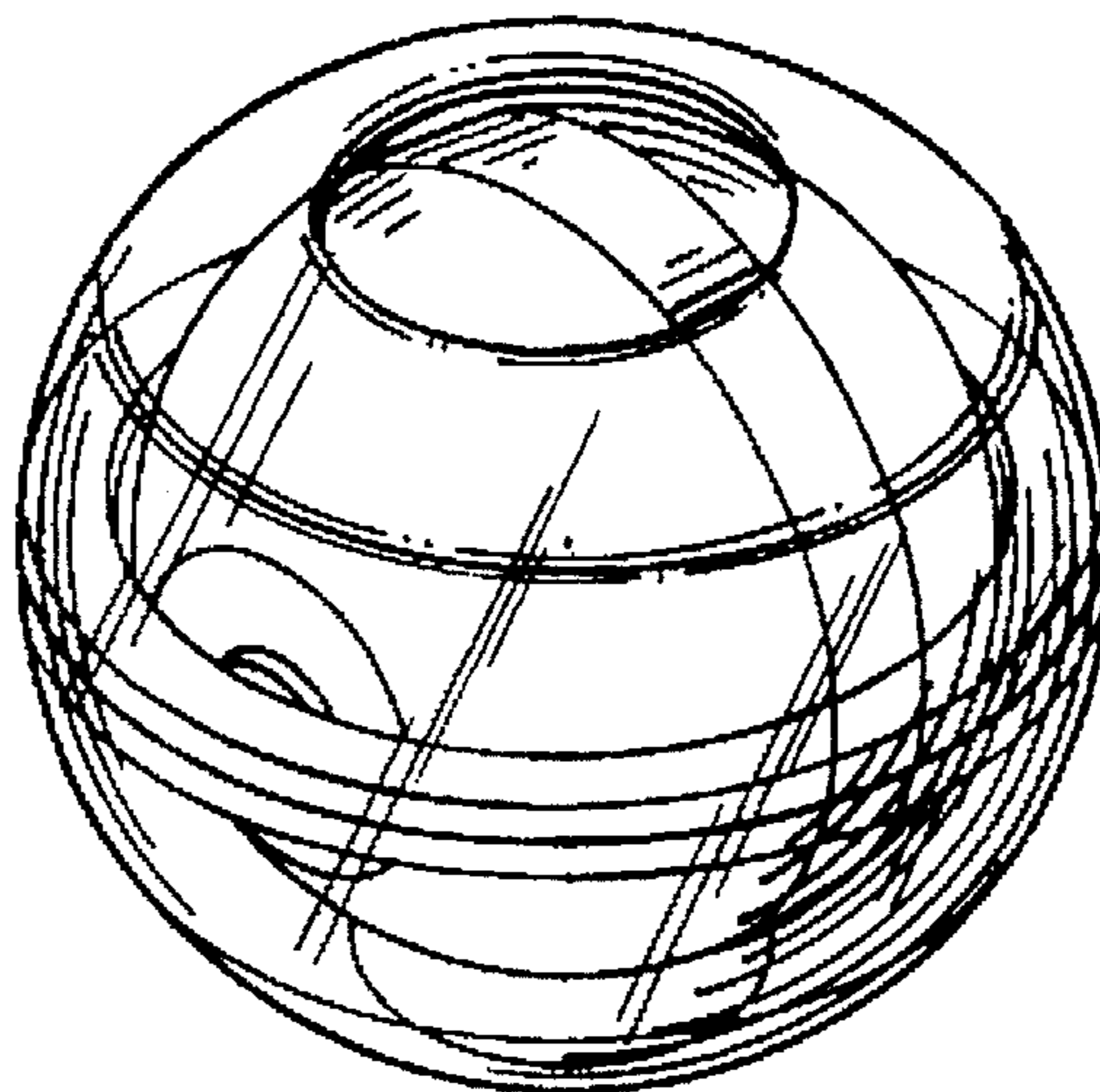


FIG. 1

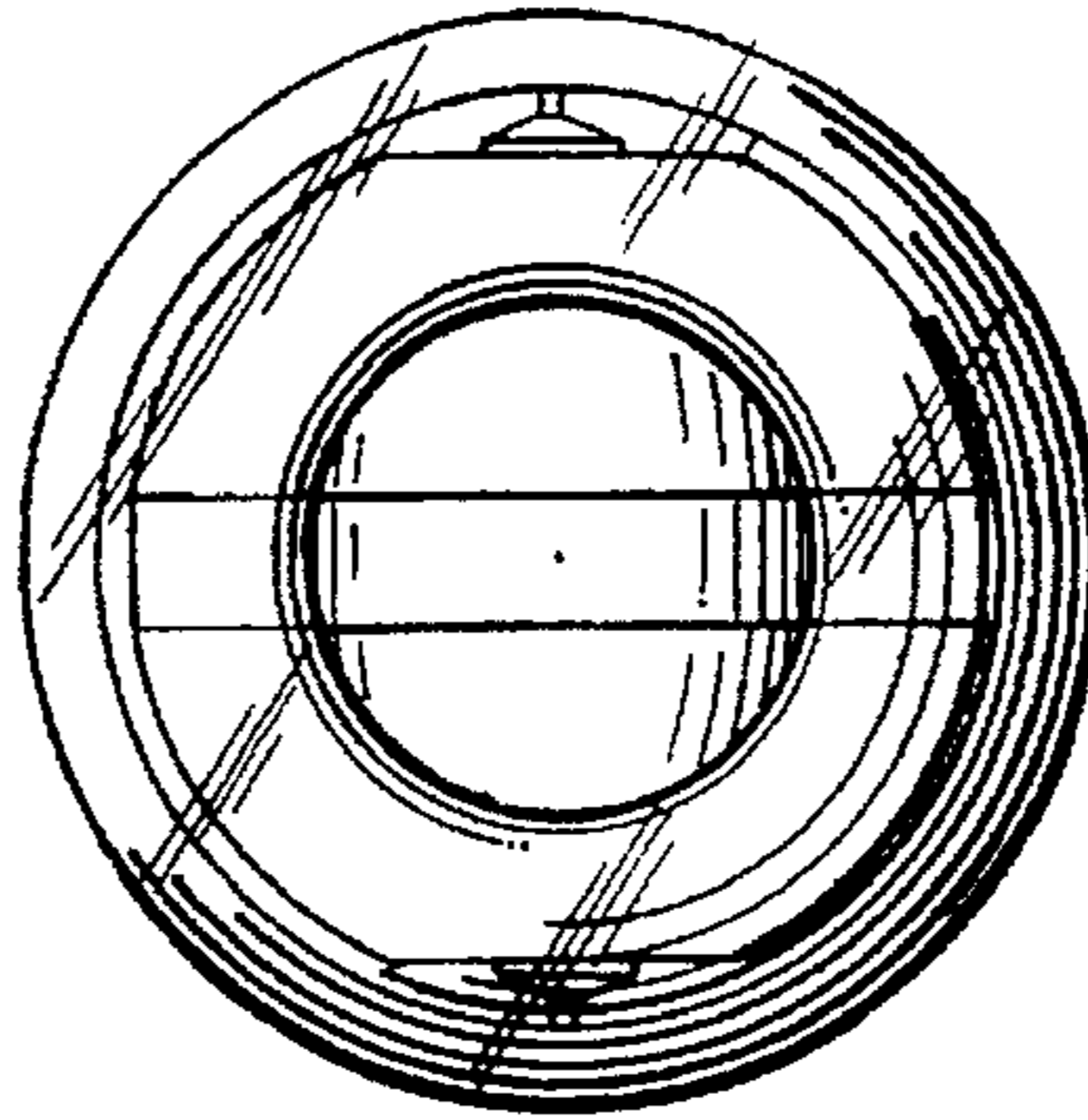


FIG. 3

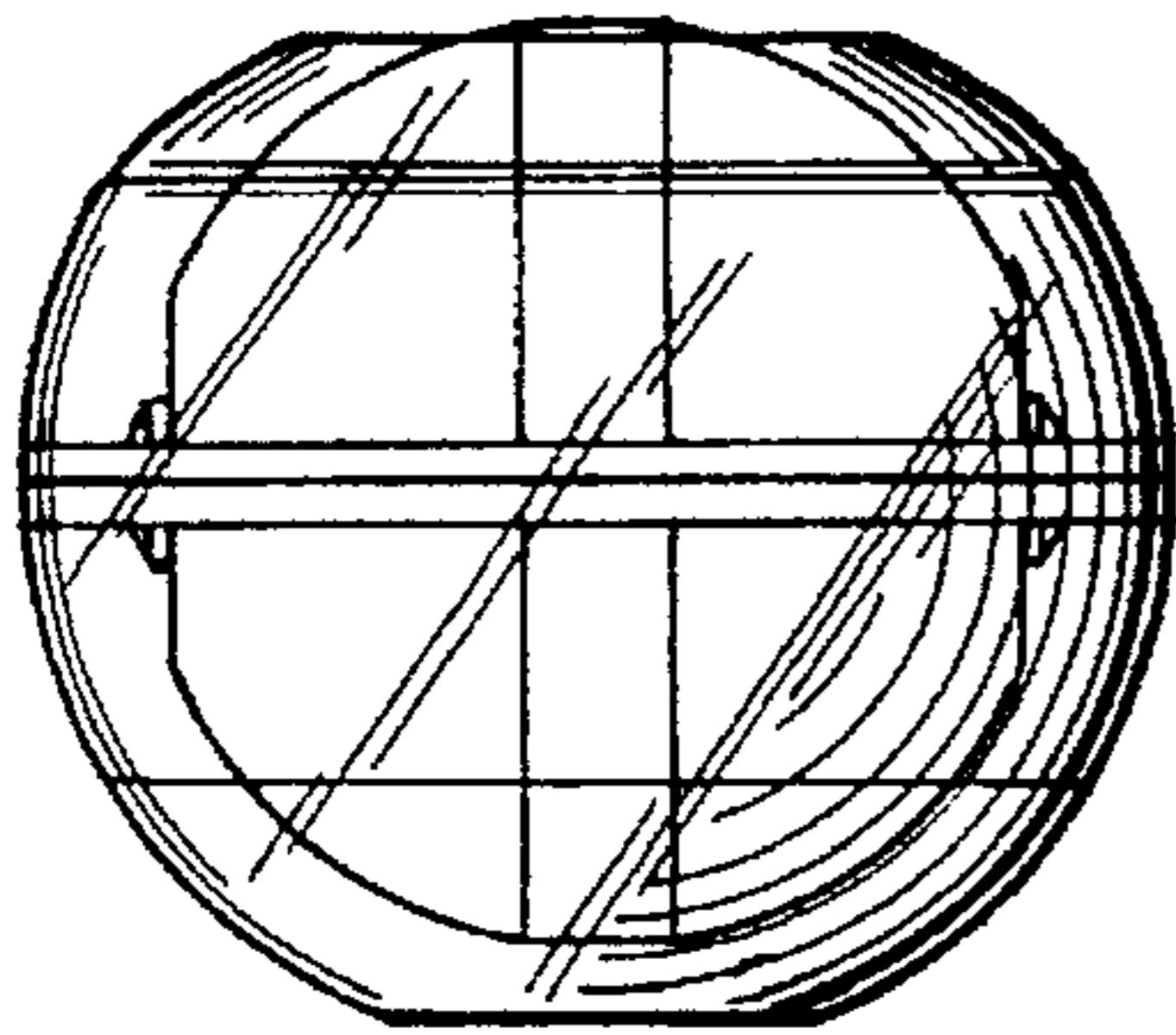


FIG. 2

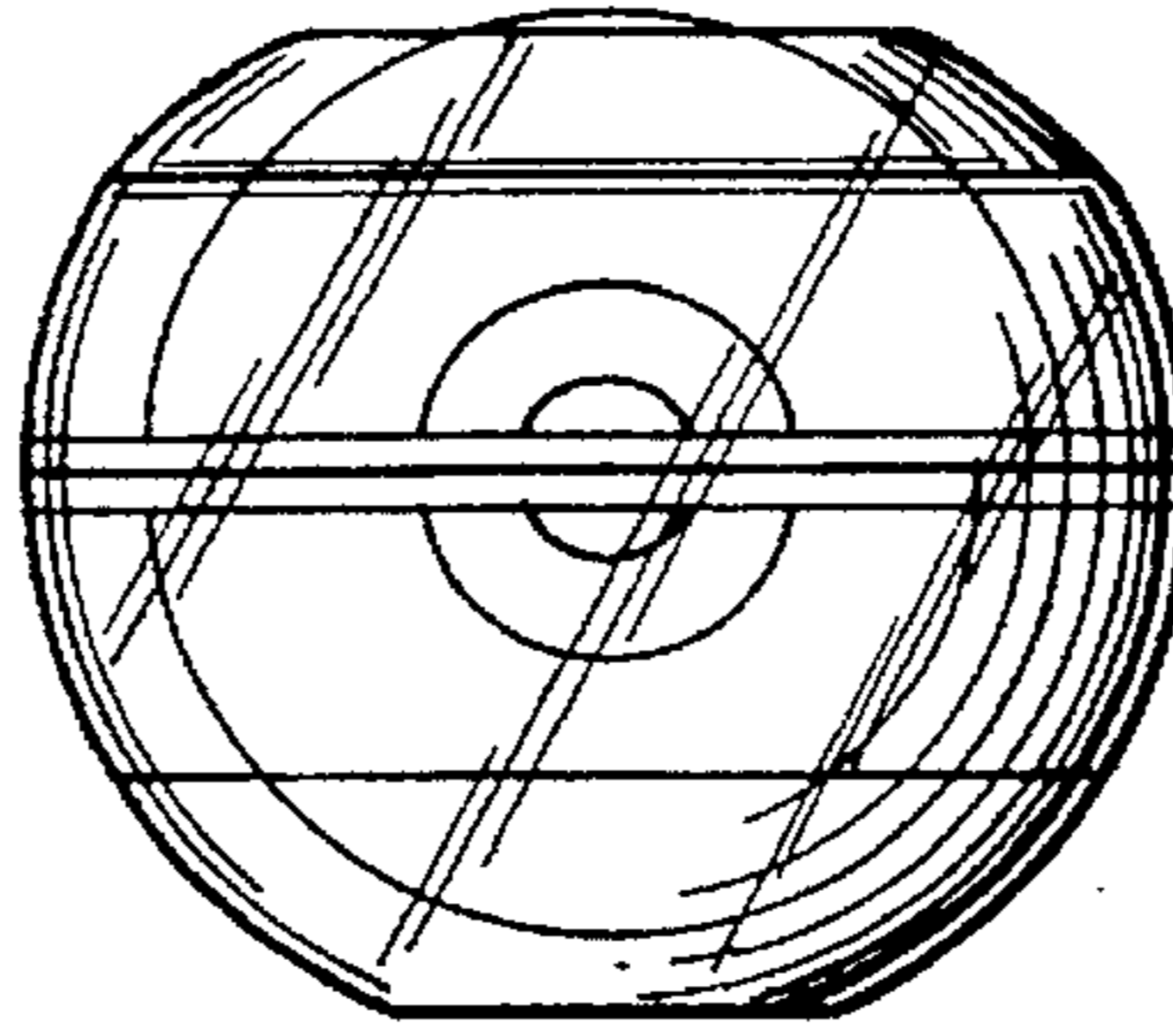


FIG. 4

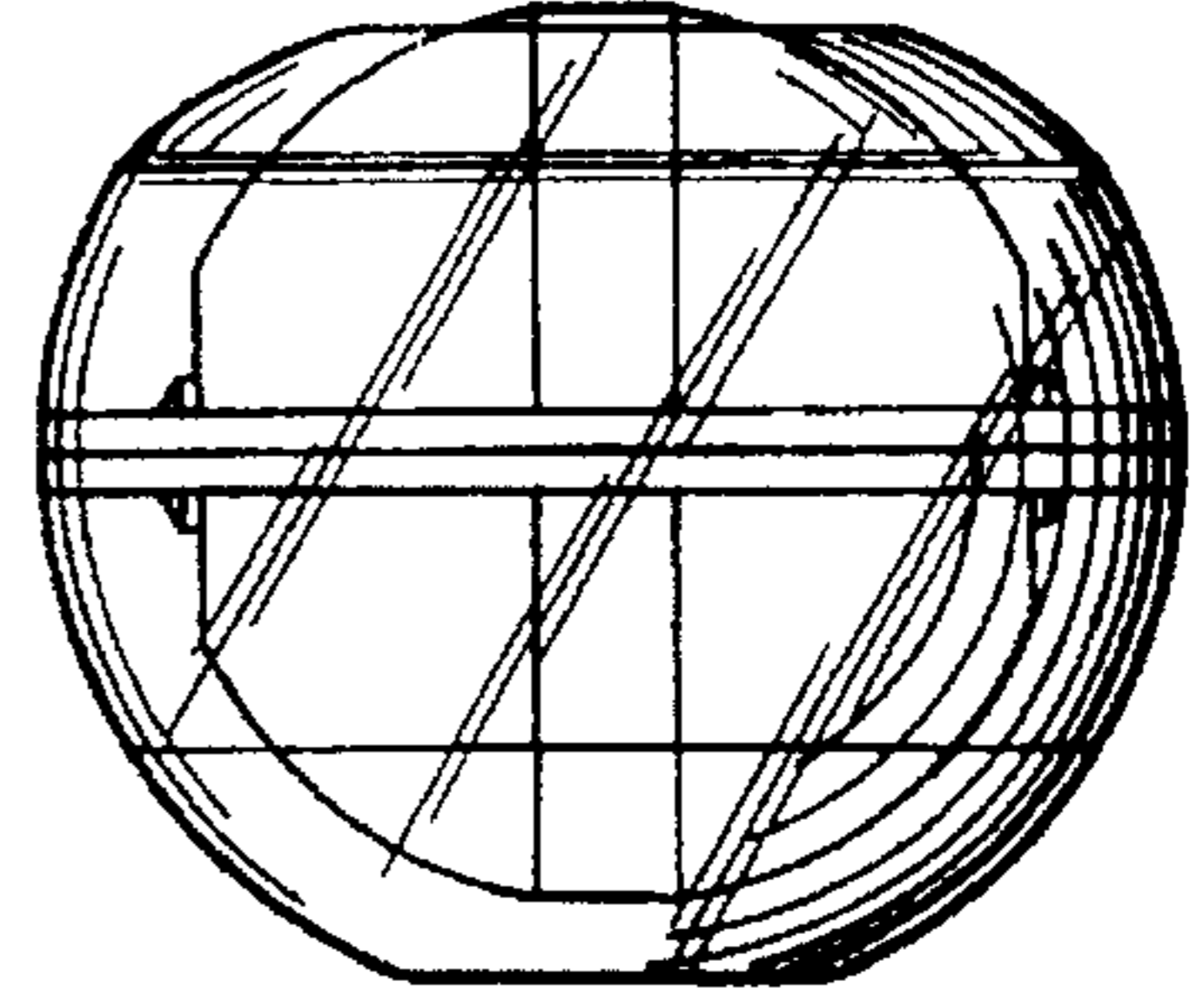


FIG. 5

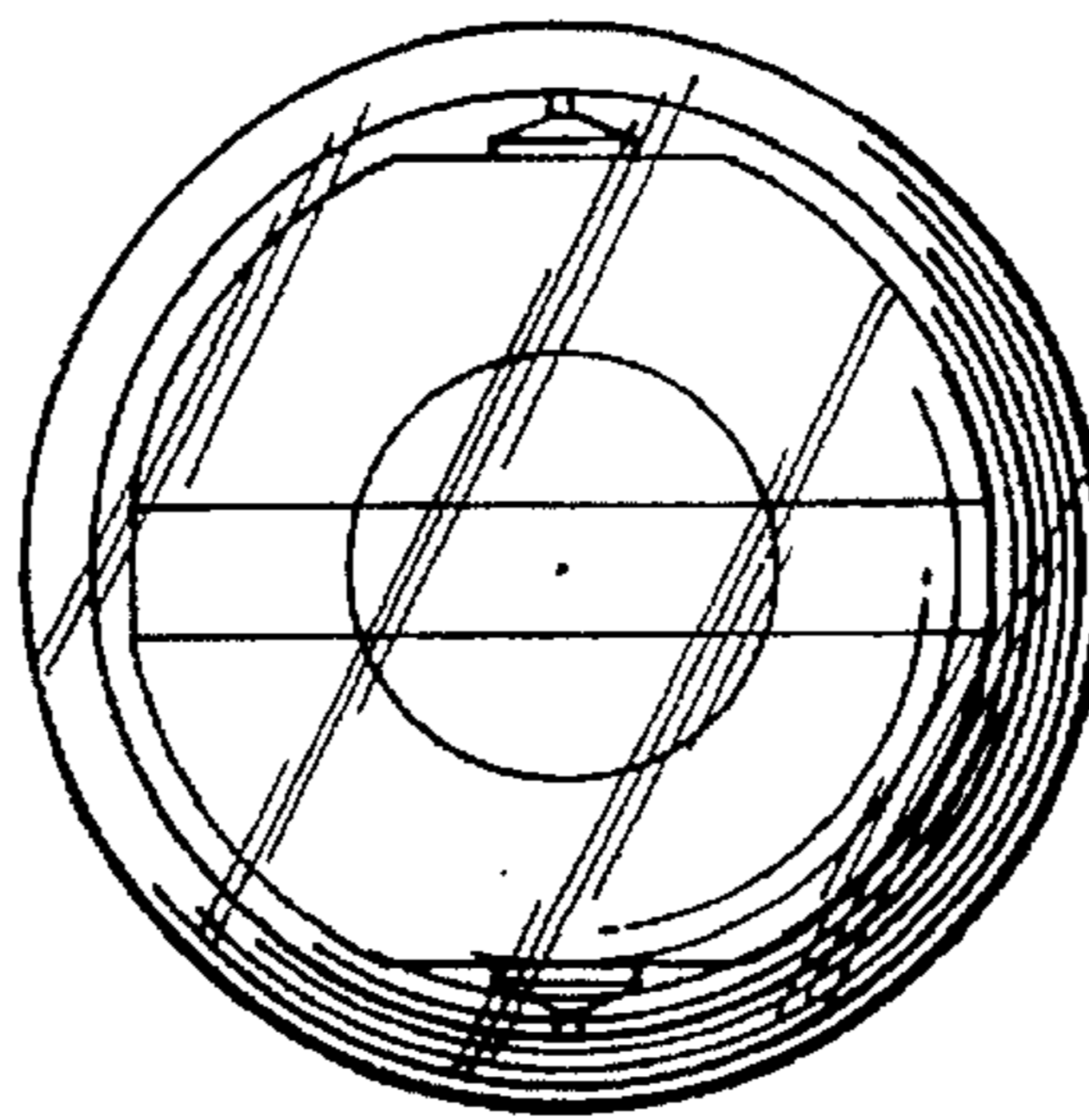


FIG. 6

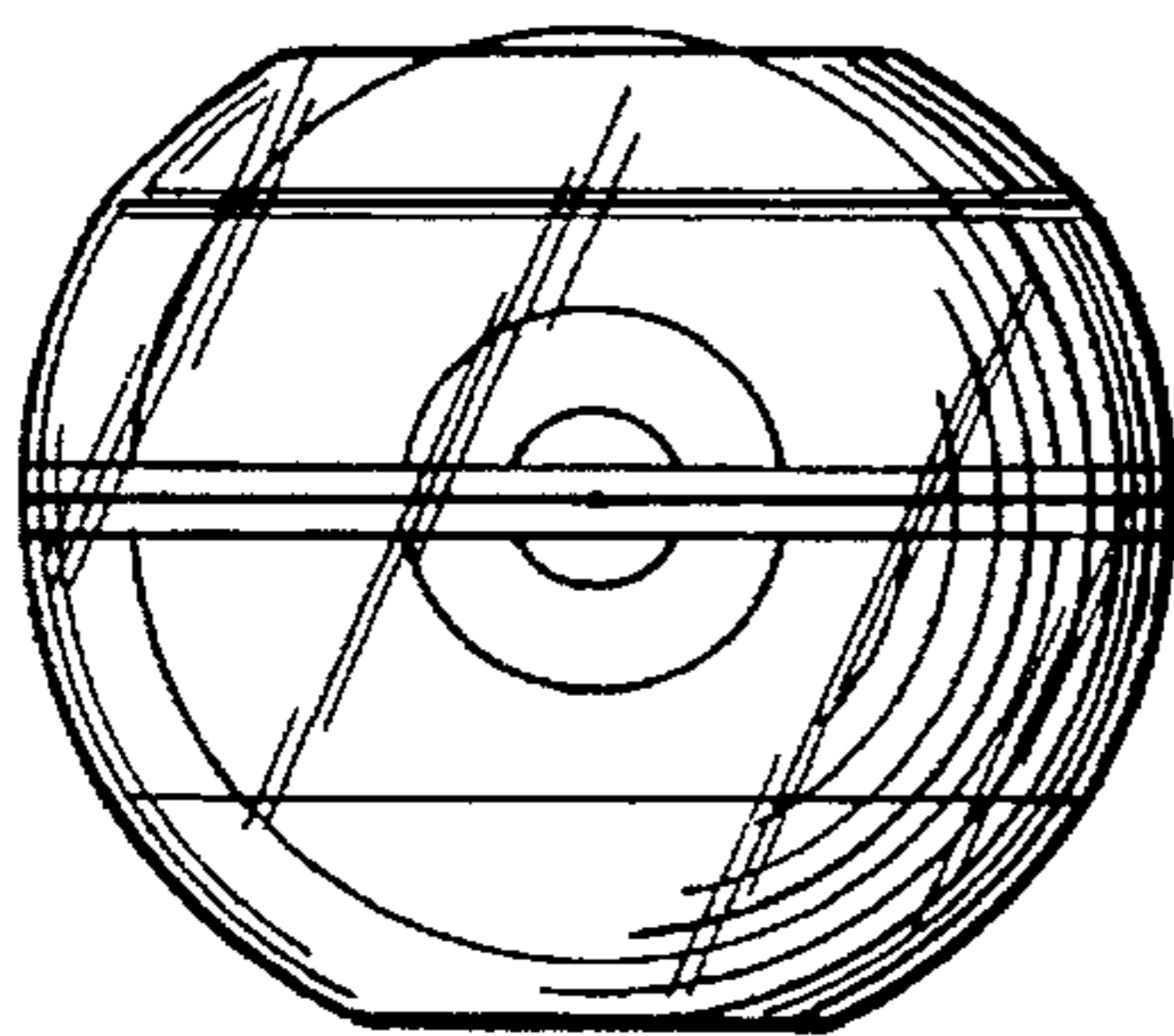


FIG. 7

