



US00D381718S

United States Patent [19]
Armstrong

[11] **Patent Number: Des. 381,718**
[45] **Date of Patent: **Jul. 29, 1997**

[54] **HAND EXERCISE DEVICE**
[76] **Inventor: Willie G. Armstrong, 5363 Ravine Bluff Ct., Columbus, Ohio 43231**
[**] **Term: 14 Years**

4,836,531 6/1989 Niks .
4,856,498 8/1989 Osbon 482/49
5,072,927 12/1991 Santos 482/49
5,141,478 8/1992 Upper .
5,299,991 4/1994 Sato .
5,360,385 11/1994 Wang 482/49

[21] **Appl. No.: 44,504**
[22] **Filed: Sep. 25, 1995**

Primary Examiner—Philip S. Hyder
Attorney, Agent, or Firm—Dennis H. Lambert

[51] **LOC (6) Cl. 21-02**
[52] **U.S. Cl. D21/198**
[58] **Field of Search D21/191, 195, D21/198; 482/44, 49, 121, 122, 126, 128, 129**

[57] **CLAIM**
The ornamental design for a hand exercise device, as shown and described.

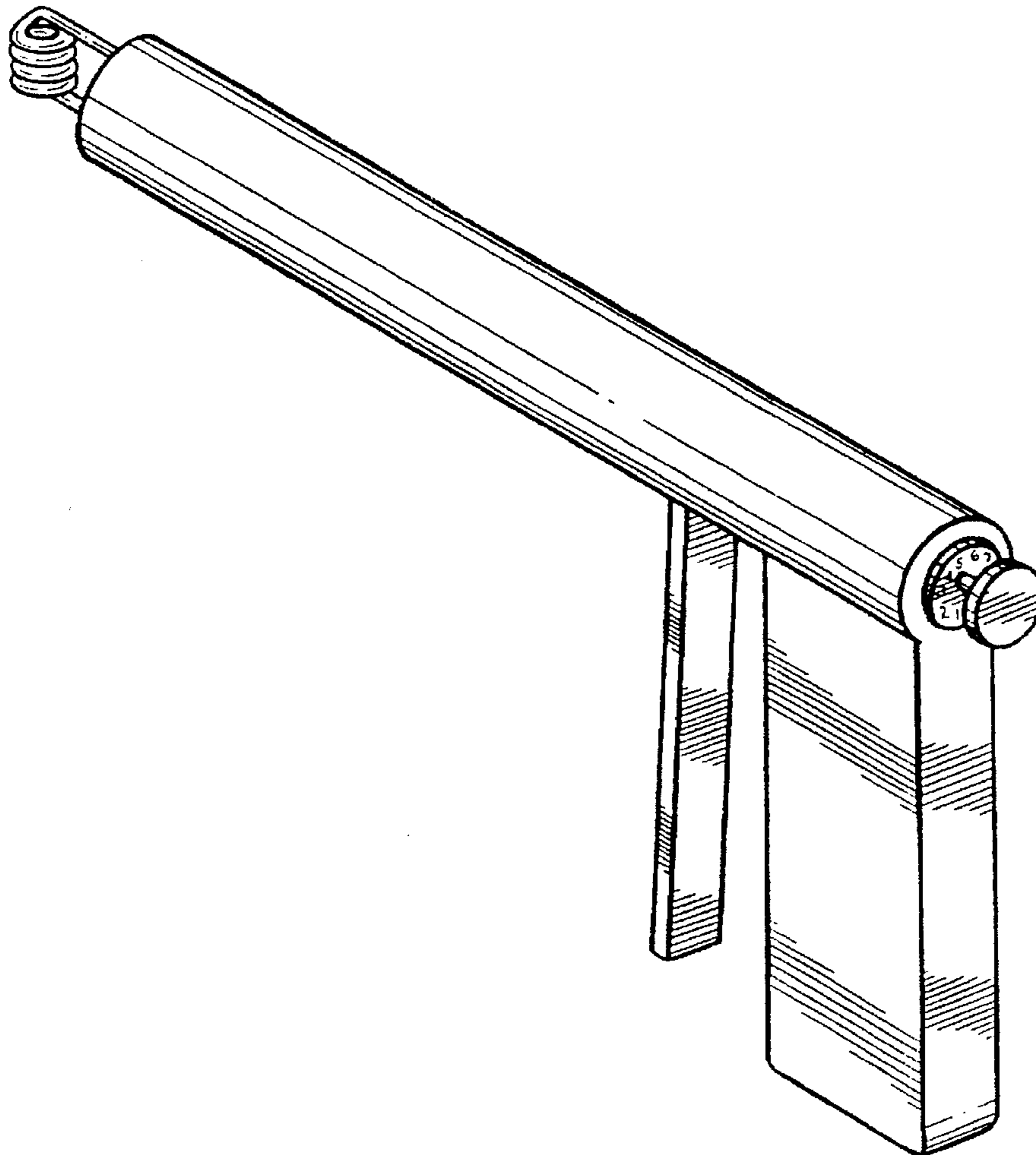
[56] **References Cited**
U.S. PATENT DOCUMENTS

DESCRIPTION

D. 192,367 3/1962 Marvosh D21/198
D. 294,614 3/1988 Ditsch et al. D21/198
D. 352,754 11/1994 Silagy D21/198
D. 358,857 5/1995 Yang D21/198
D. 359,779 6/1995 Peters et al. D21/198
2,205,161 6/1940 Vick .
4,553,746 11/1985 Lee 482/49
4,634,114 1/1987 Garcia 482/49

FIG. 1 is a front, top and side perspective view of the hand exercise device embodying the design of the present invention;
FIG. 2 is a front elevational view thereof;
FIG. 3 is a rear elevational view thereof;
FIG. 4 is a left side elevational view thereof, showing the lever retracted in dot-and-dash lines;
FIG. 5 is a right side elevational view thereof;
FIG. 6 is a top plan view thereof; and,
FIG. 7 is a bottom plan view thereof.

1 Claim, 3 Drawing Sheets



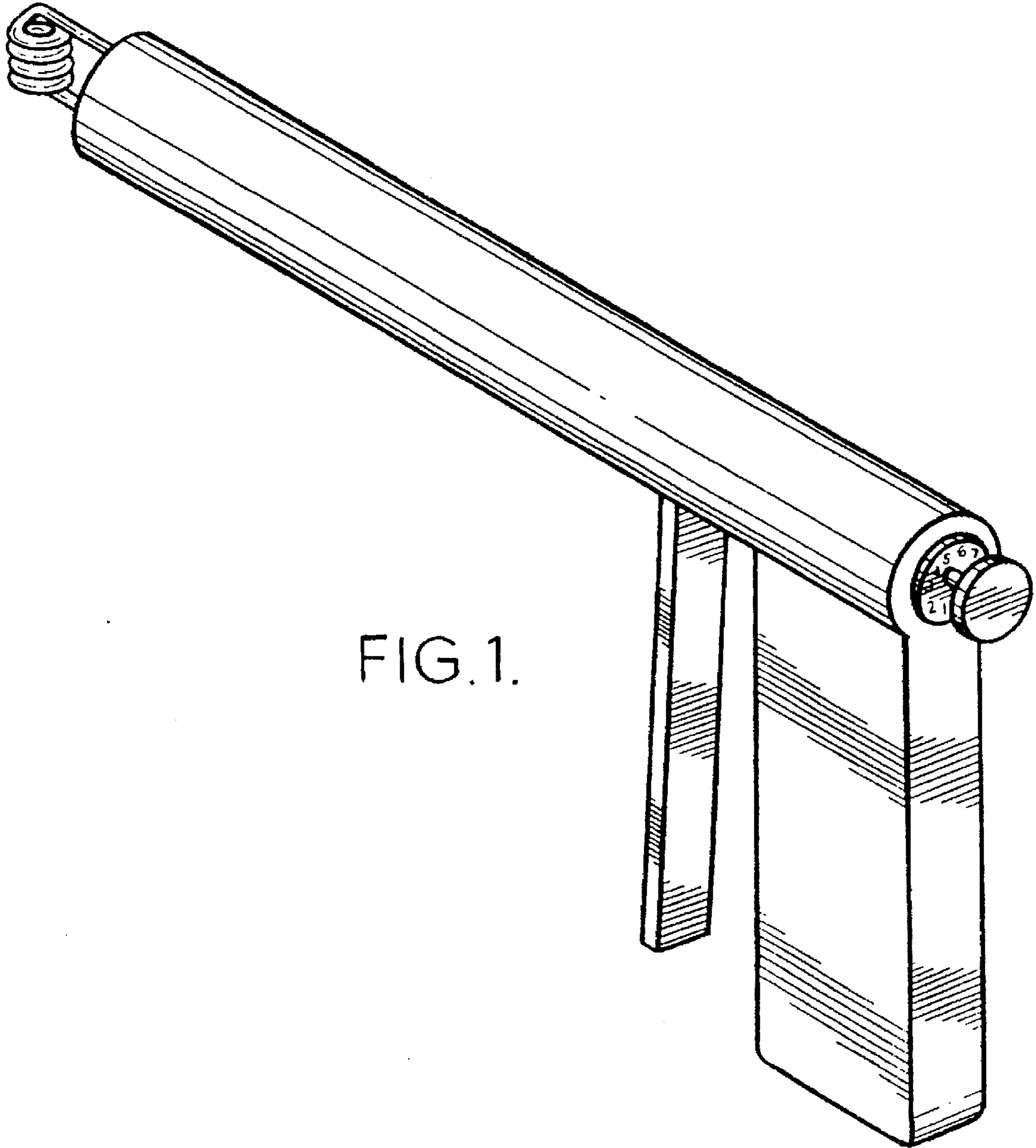


FIG. 1.

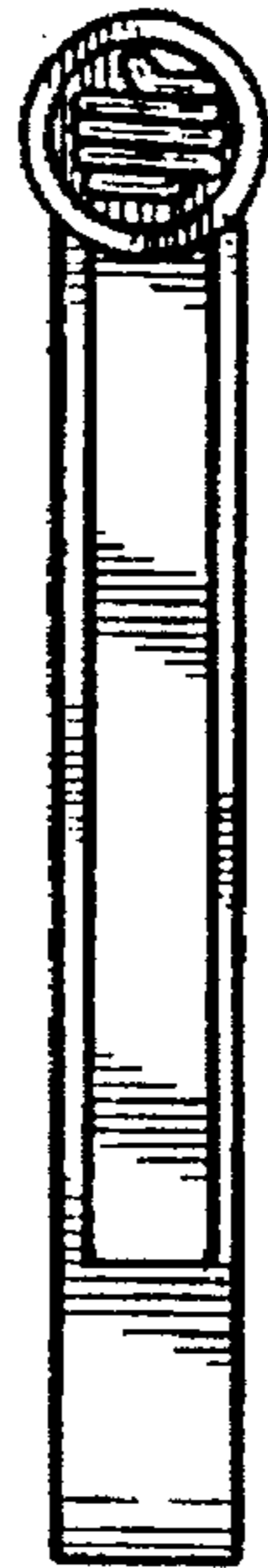


FIG. 2.

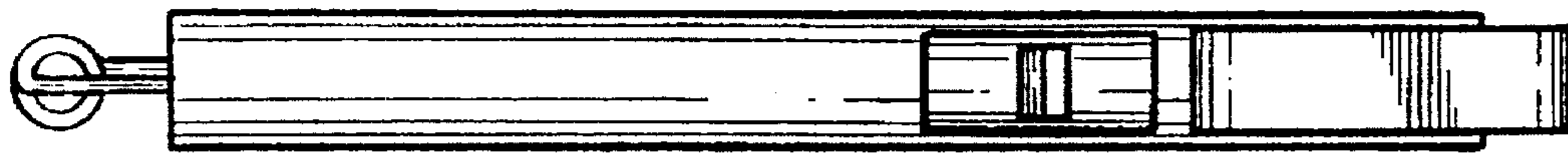


FIG. 7.

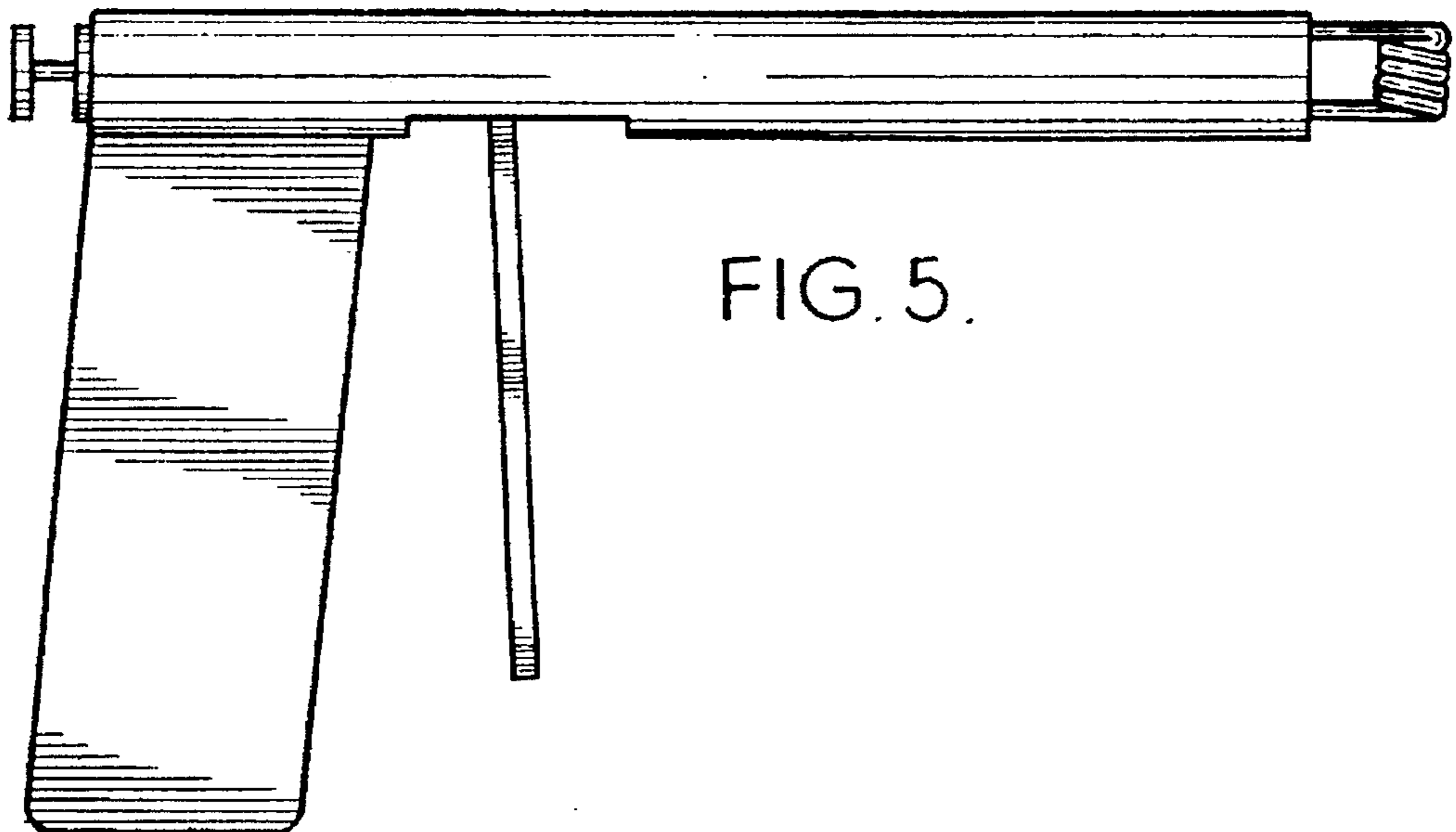


FIG. 5.

FIG. 4.

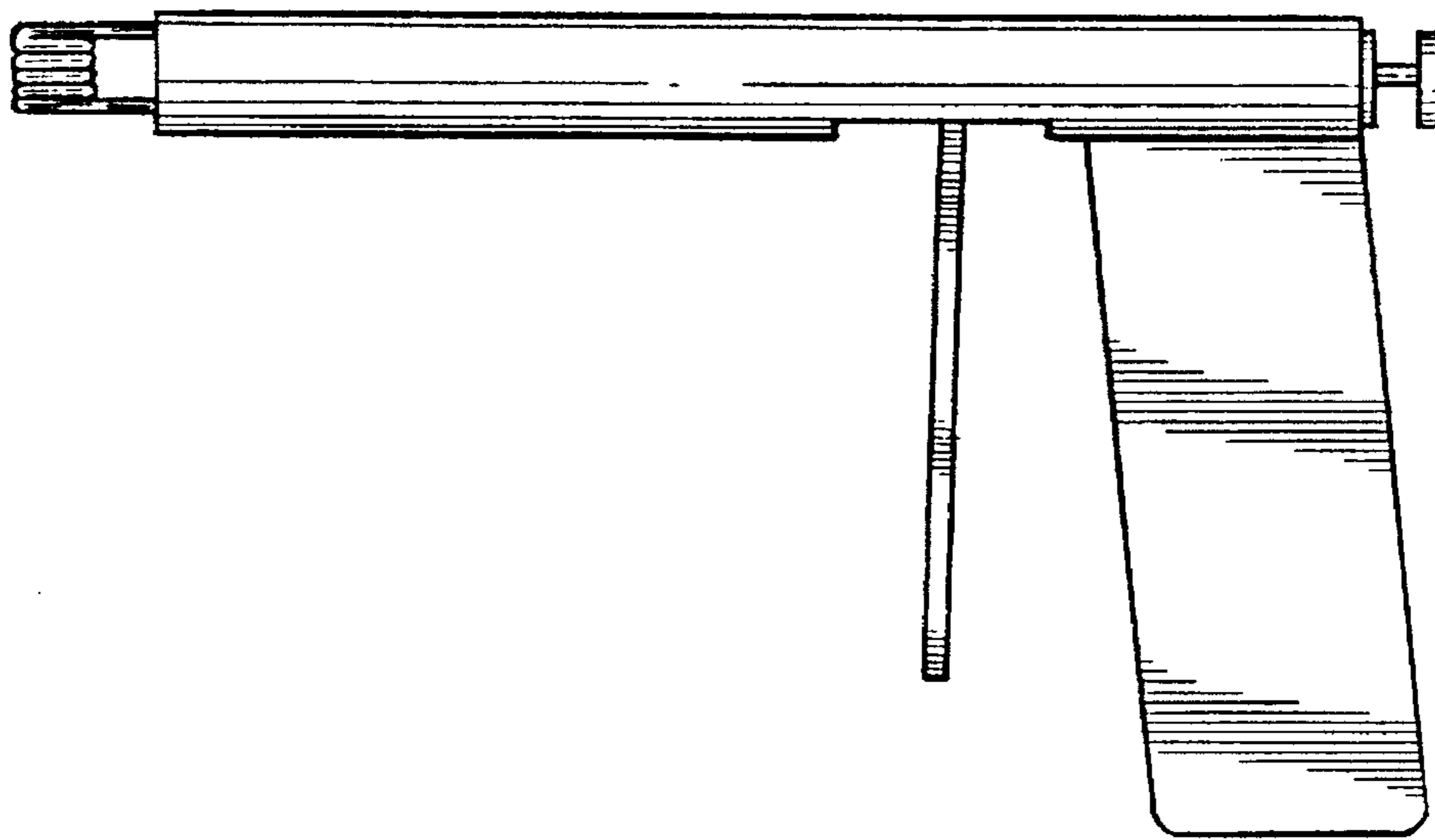


FIG. 3.

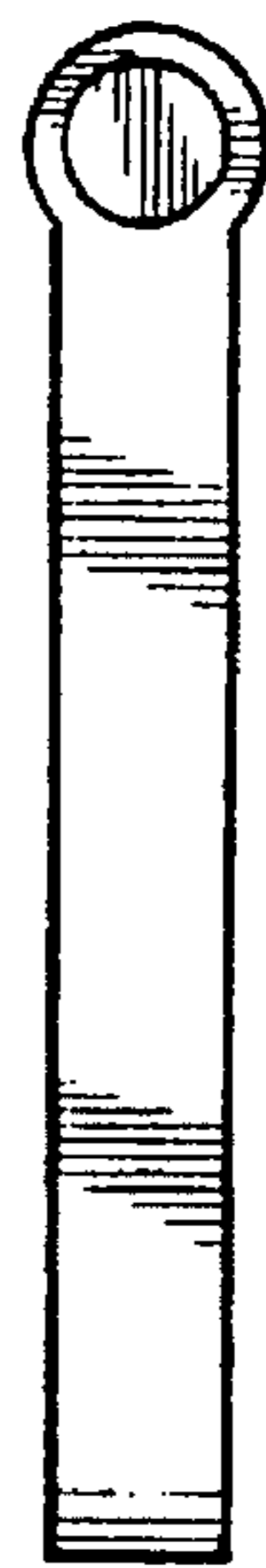


FIG. 6.

