



US00D381715S

United States Patent [19]

Reeder

[11] Patent Number: **Des. 381,715**

[45] Date of Patent: ****Jul. 29, 1997**

[54] **BARBELL SPOTTER**

[76] Inventor: **Philip W. Reeder**, Rte. 1 Box 598,
Slocomb, Ala. 36375

[**] Term: **14 Years**

[21] Appl. No.: **52,333**

[22] Filed: **Mar. 27, 1996**

[51] LOC (6) Cl. **21-02**

[52] U.S. Cl. **D21/191; D6/499**

[58] Field of Search D21/191, 195;
D34/31; D6/498, 499, 496; 482/93, 94,
104, 106, 130, 16, 17, 38, 99

[56] **References Cited**

U.S. PATENT DOCUMENTS

D. 288,509	3/1987	van de Oudeweetering	D6/499
D. 290,033	5/1987	Policastro	D21/191
3,384,367	5/1968	Baum	482/17
3,796,169	3/1974	Bales et al.	D6/499
4,201,380	5/1980	Birch	482/104
4,360,198	11/1982	Waulters	482/106
4,696,470	9/1987	Fenner	482/17
4,711,449	12/1987	Ochab	482/104
4,973,050	11/1990	Santoro et al.	482/106

5,277,676	1/1994	Holland et al.	482/38
5,306,220	4/1994	Kearney	482/94

Primary Examiner—Philip S. Hyder
Attorney, Agent, or Firm—Longacre & White

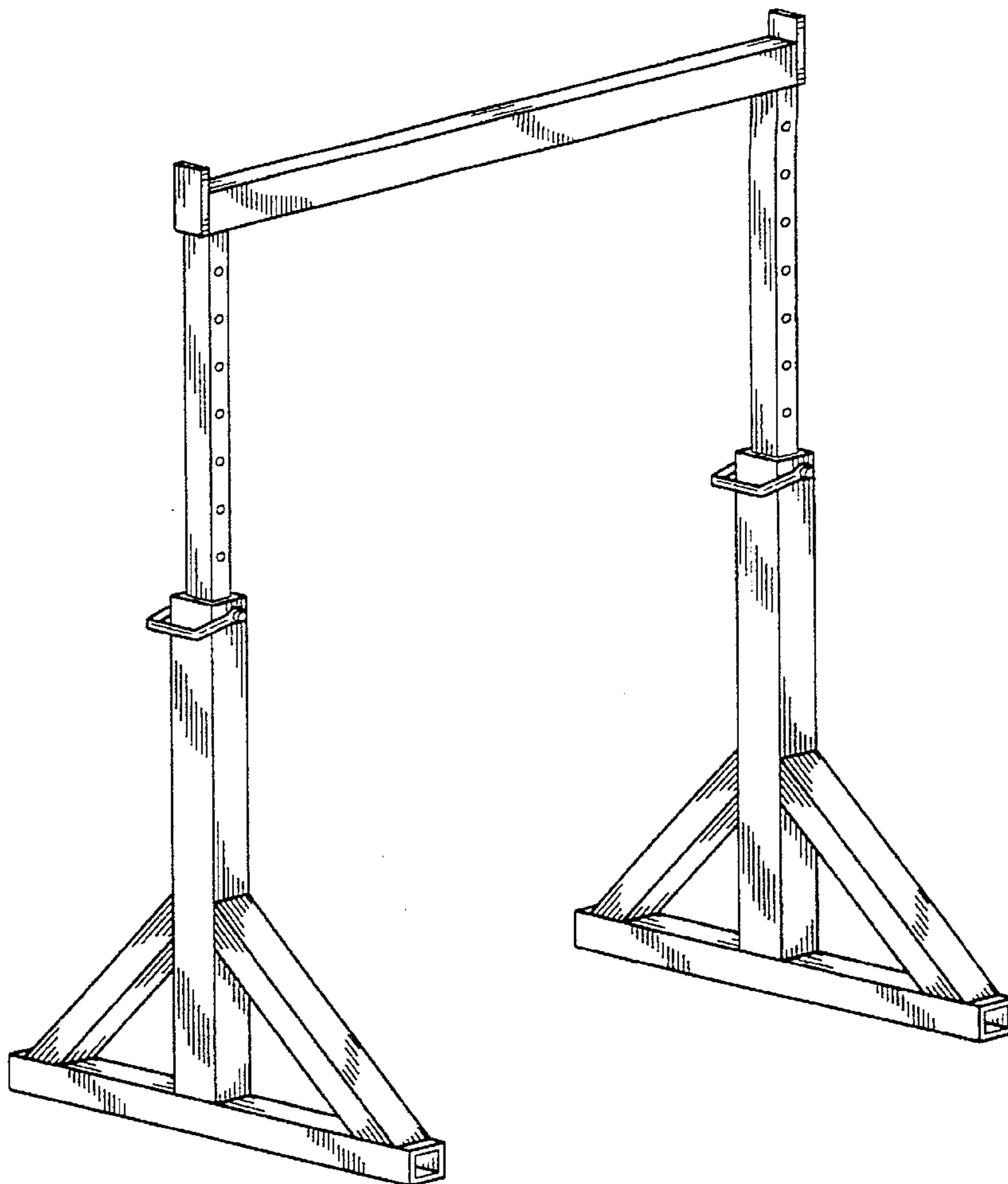
[57] **CLAIM**

The ornamental design for a barbell spotter, as shown and described.

DESCRIPTION

FIG. 1 is a perspective view of the barbell spotter according to the present invention;
FIG. 2 is a right side elevational view of the barbell spotter as shown in FIG. 1;
FIG. 3 is a left side elevational view of the barbell spotter as shown in FIG. 1;
FIG. 4 is a front elevational view of the barbell spotter as shown in FIG. 1;
FIG. 5 is a rear elevational view of the barbell spotter as shown in FIG. 1;
FIG. 6 is a top elevational view of the barbell spotter as shown in FIG. 1; and,
FIG. 7 is a bottom elevational view of the barbell spotter as shown in FIG. 1.

1 Claim, 3 Drawing Sheets



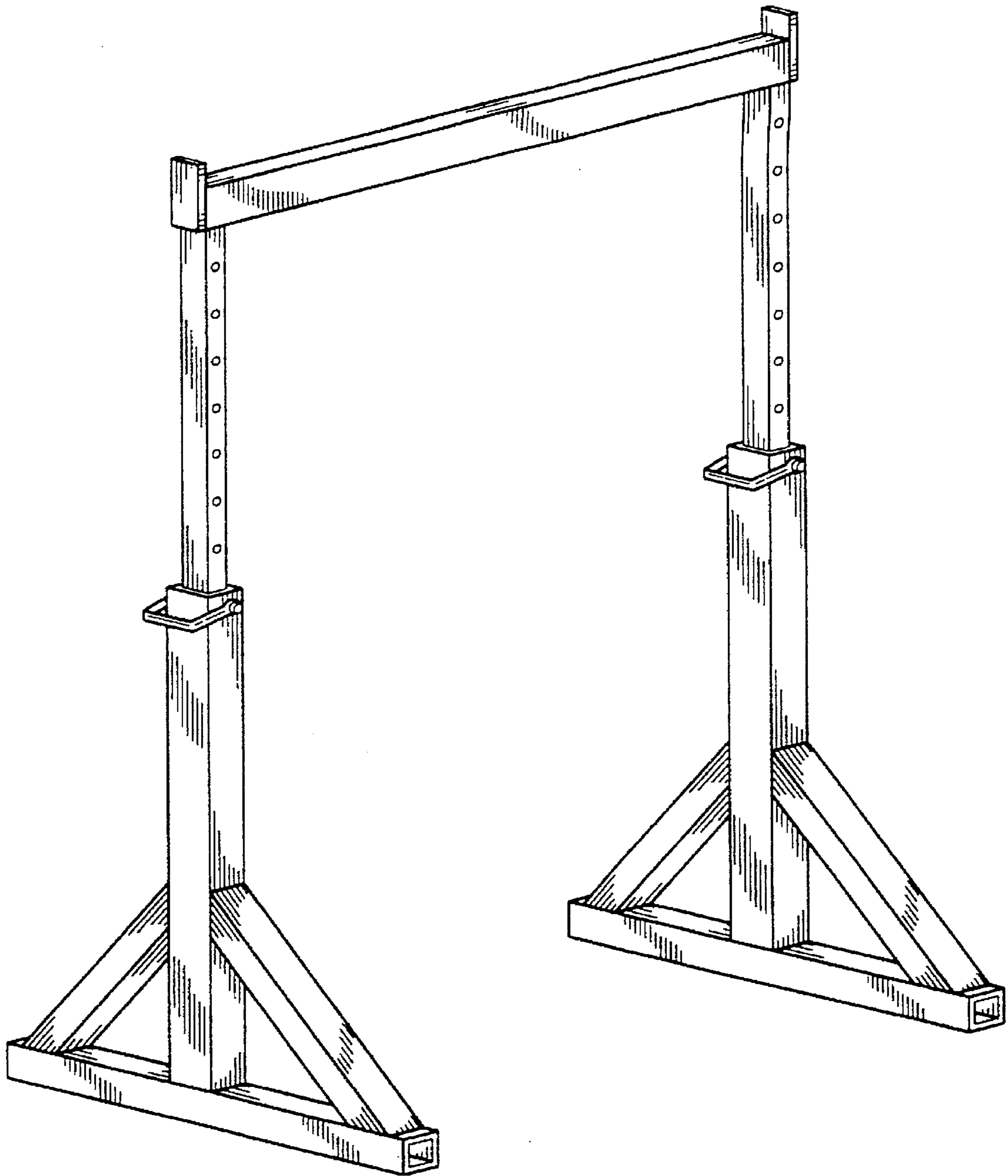


FIG. 1

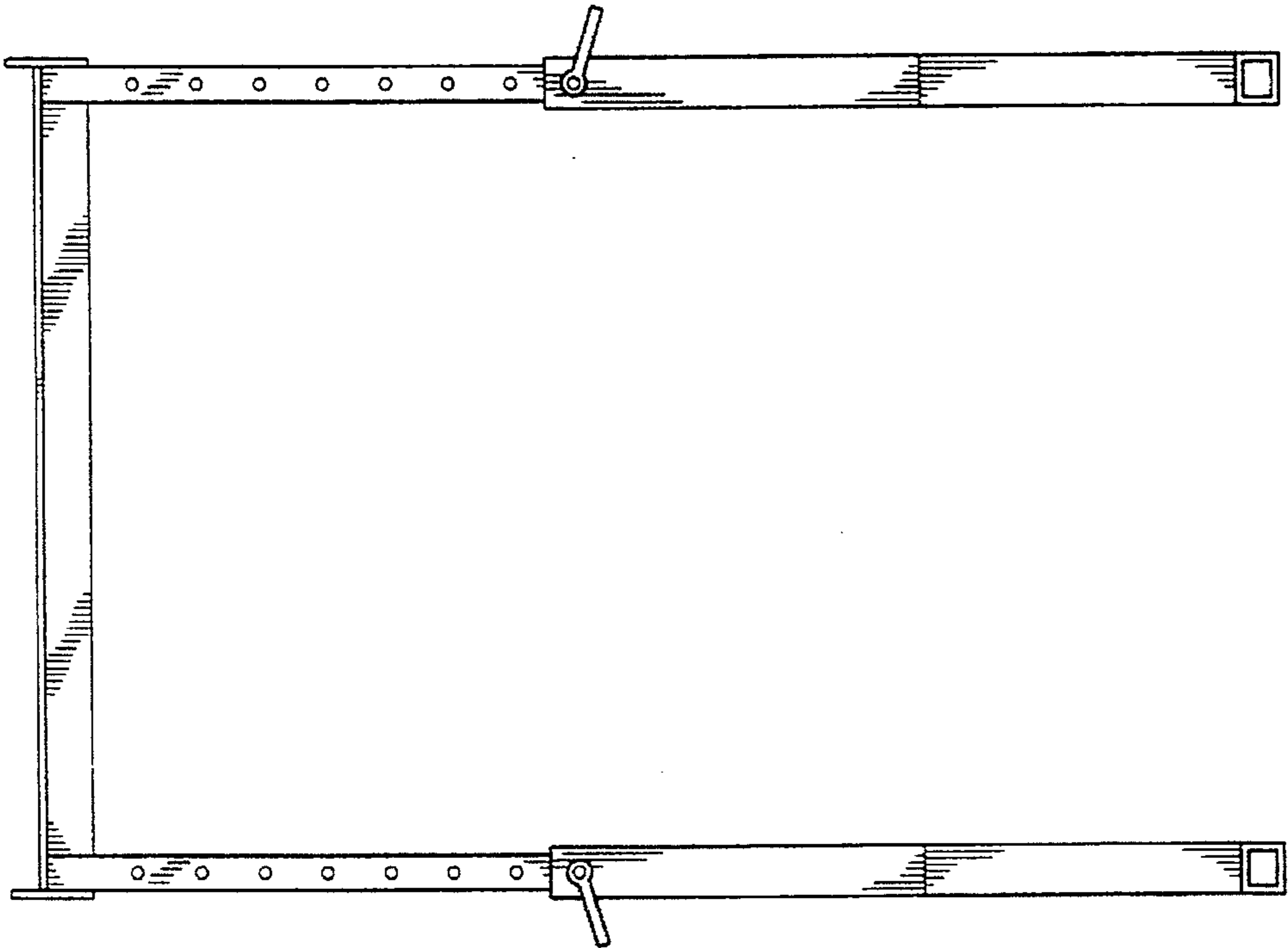


FIG. 3

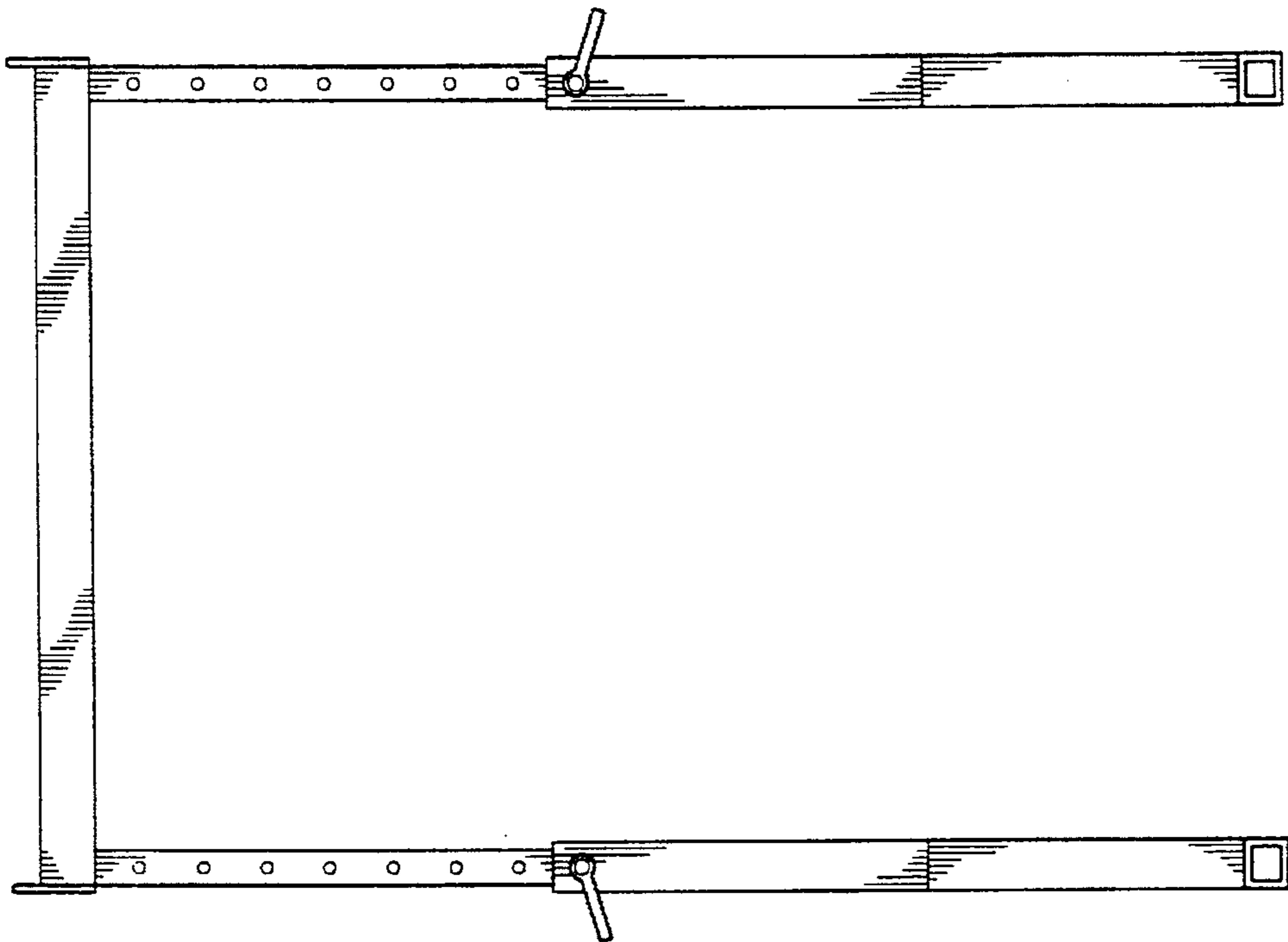


FIG. 2

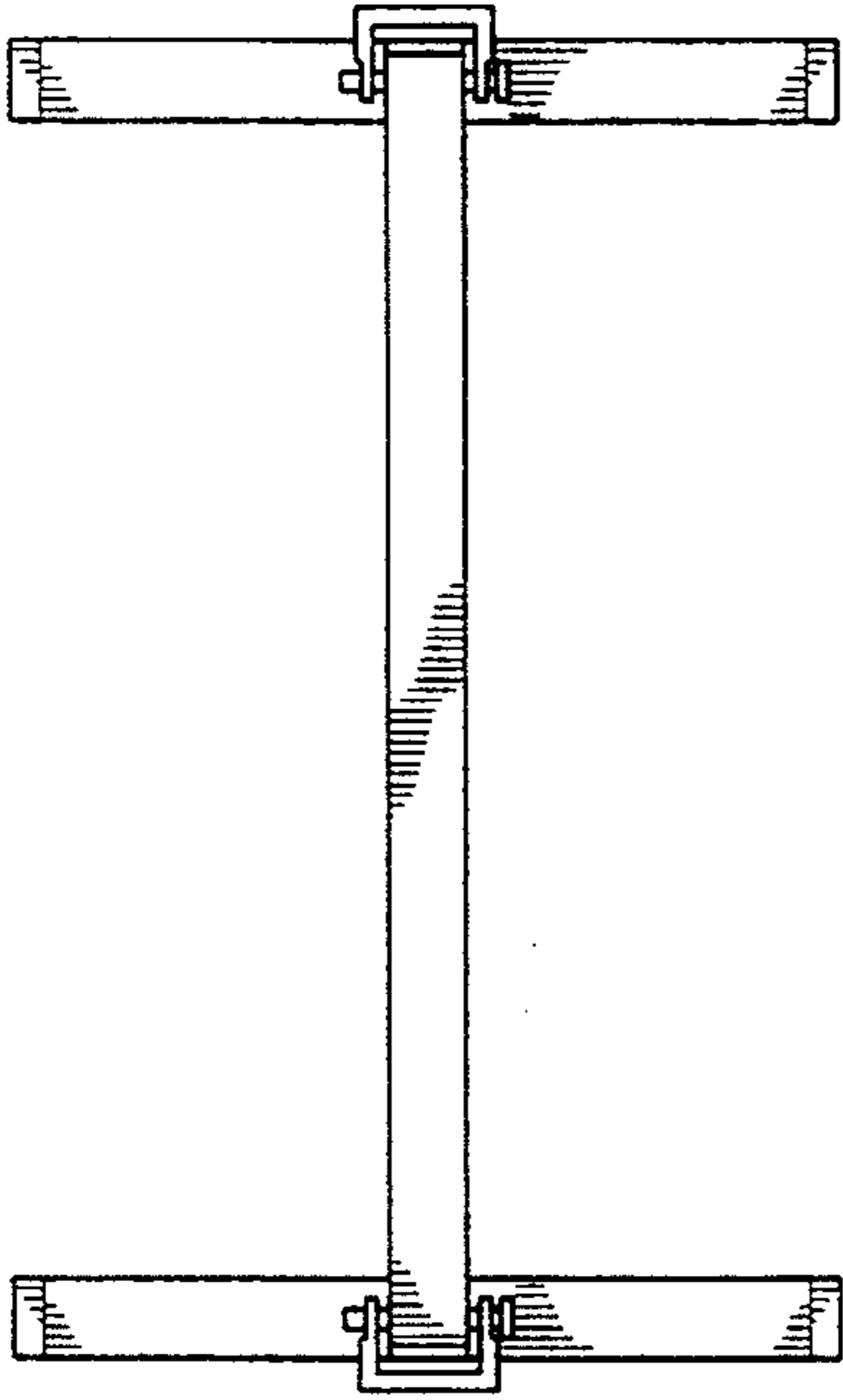


FIG. 6

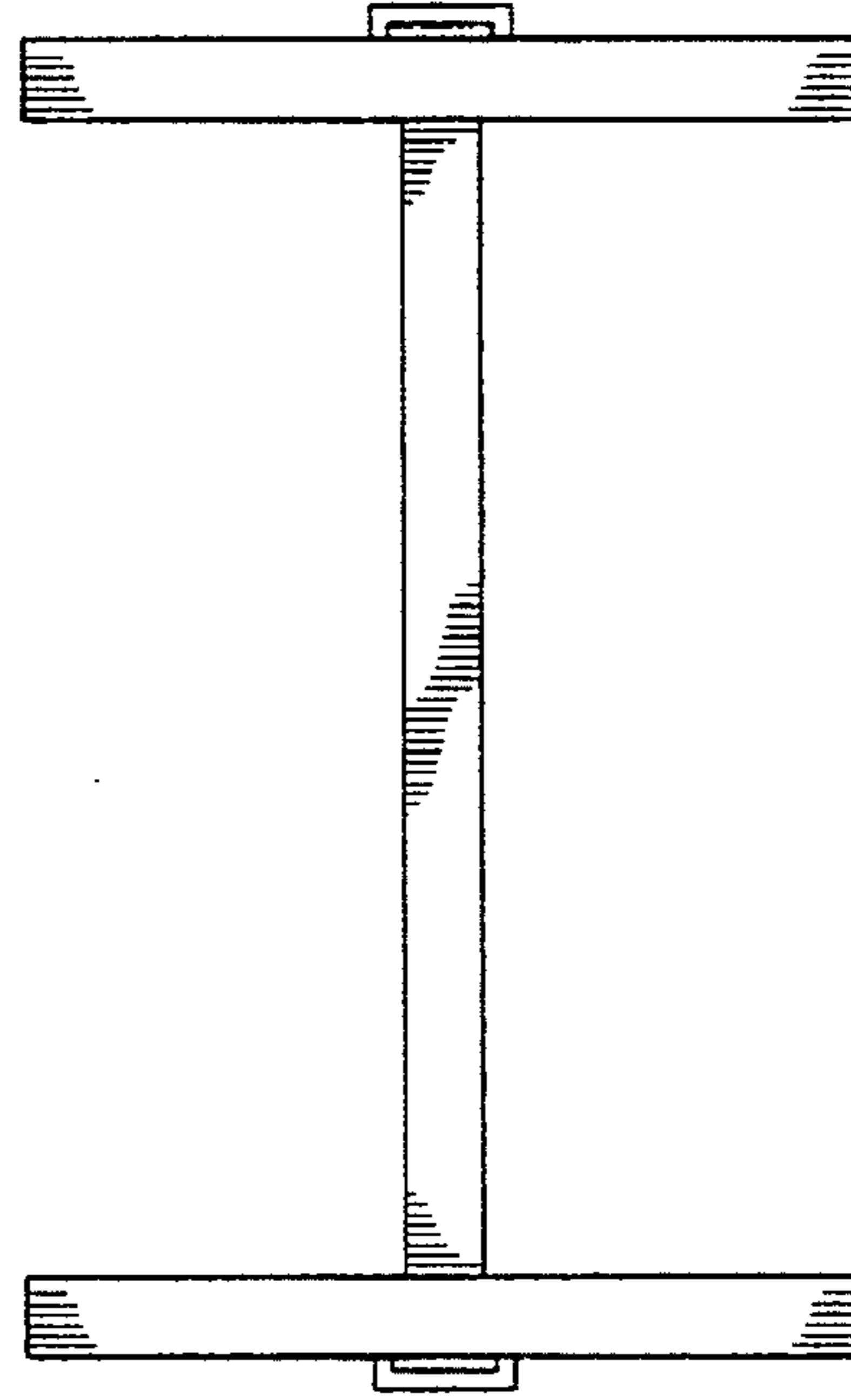


FIG. 7

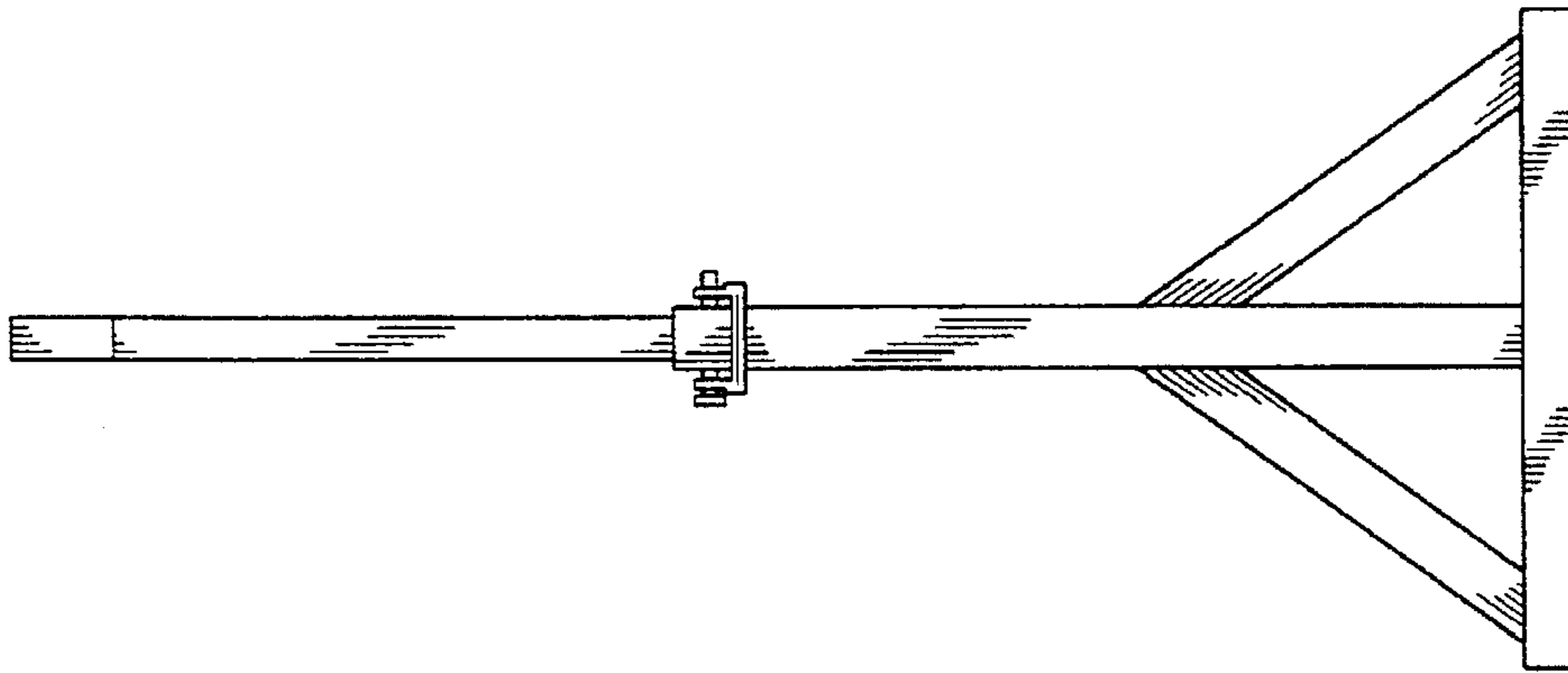


FIG. 5

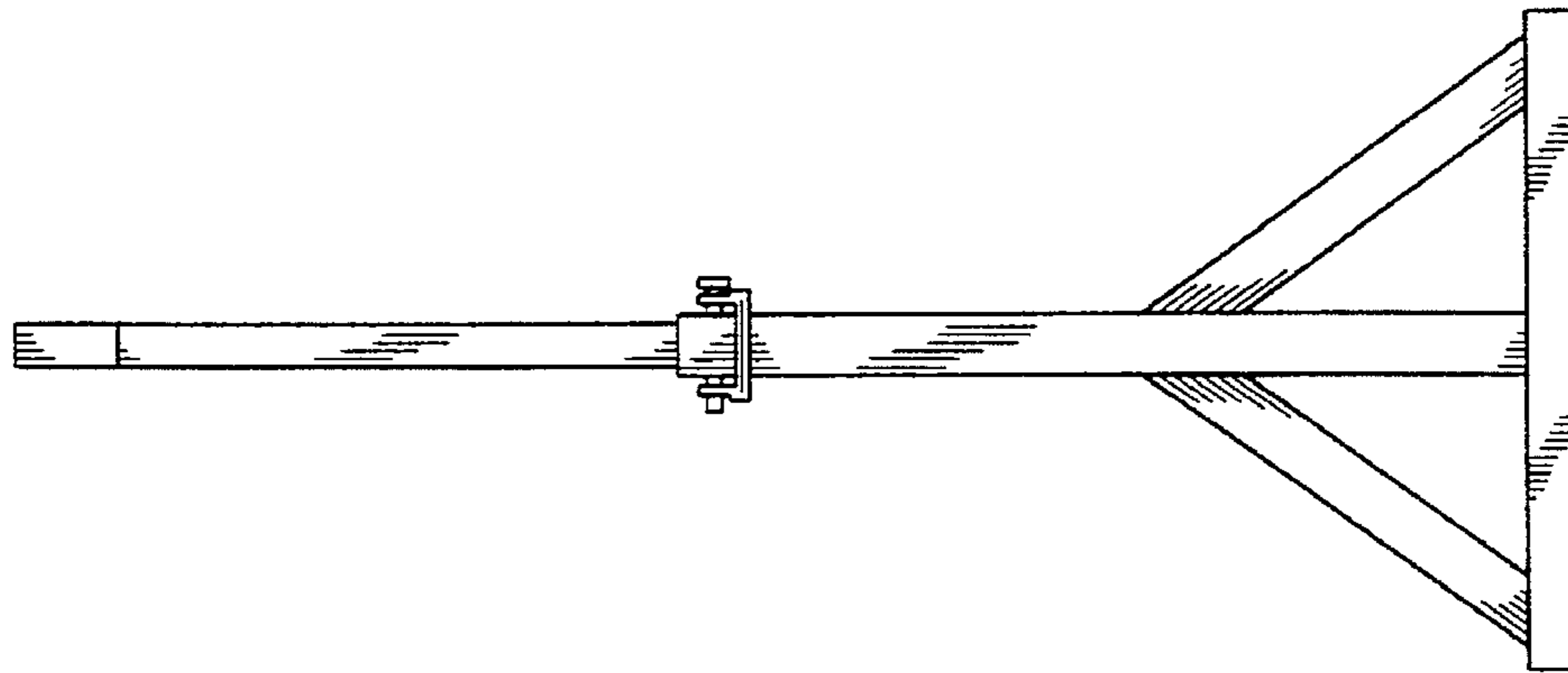


FIG. 4