



US00D381695S

United States Patent [19]
Lewis

[11] **Patent Number: Des. 381,695**

[45] **Date of Patent: **Jul. 29, 1997**

[54] **DISPLAY CARD HOLDER**

[75] **Inventor: Richard G. Lewis, New Berlin, Wis.**

[73] **Assignee: CIS Corp., New Berlin, Wis.**

[**] **Term: 14 Years**

[21] **Appl. No.: 36,217**

[22] **Filed: Mar. 15, 1995**

[51] **LOC (6) Cl. 20-02**

[52] **U.S. Cl. D20/40**

[58] **Field of Search D20/10, 18, 40,
D20/41, 42, 43, 15; 40/1, 124, 124.1, 124.4,
642, 658; 211/45, 50, 86, 89**

[56] **References Cited**

U.S. PATENT DOCUMENTS

D. 204,971 6/1966 Schmidgall D20/15
D. 269,685 7/1983 Lansdowne D20/15

D. 272,547 2/1984 Gordon D20/15
D. 277,196 1/1985 Eason D20/15
D. 349,925 8/1994 Charron et al. D20/15

Primary Examiner—Marcus A. Jackson

Attorney, Agent, or Firm—Andrus, Scales, Starke & Sawall

[57] **CLAIM**

The ornamental design for display card holder, as shown and described.

DESCRIPTION

FIG. 1 is a front elevational view of the new display card holder, the rear view is a mirror image of the front view; FIG. 2 is an end view thereof; the opposite end view being a mirror image thereof; FIG. 3 is a top plan view thereof; FIG. 4 is a bottom view of the display card holder; and, FIG. 5 is a reduced perspective view of the display card holder.

1 Claim, 2 Drawing Sheets

FIG. 5

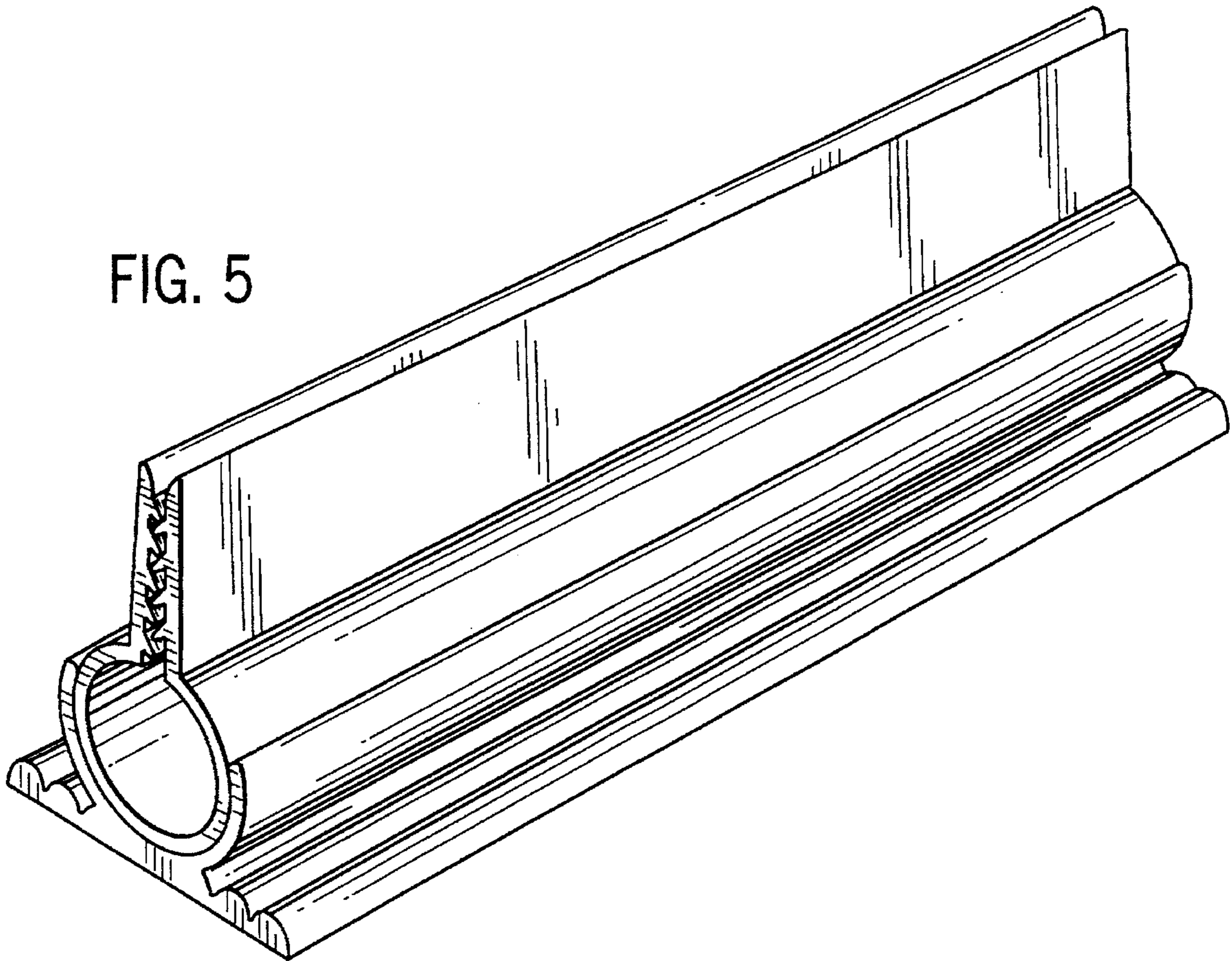


FIG. 1

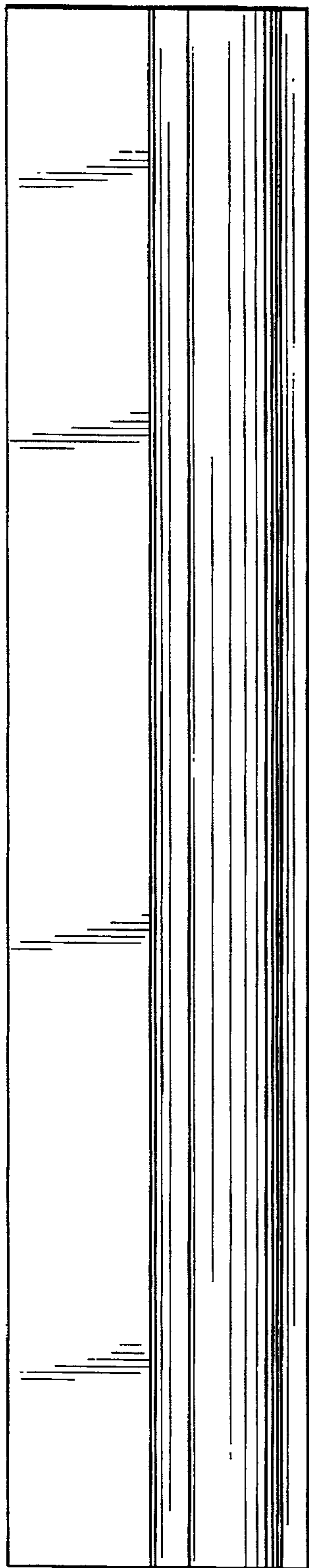


FIG. 2

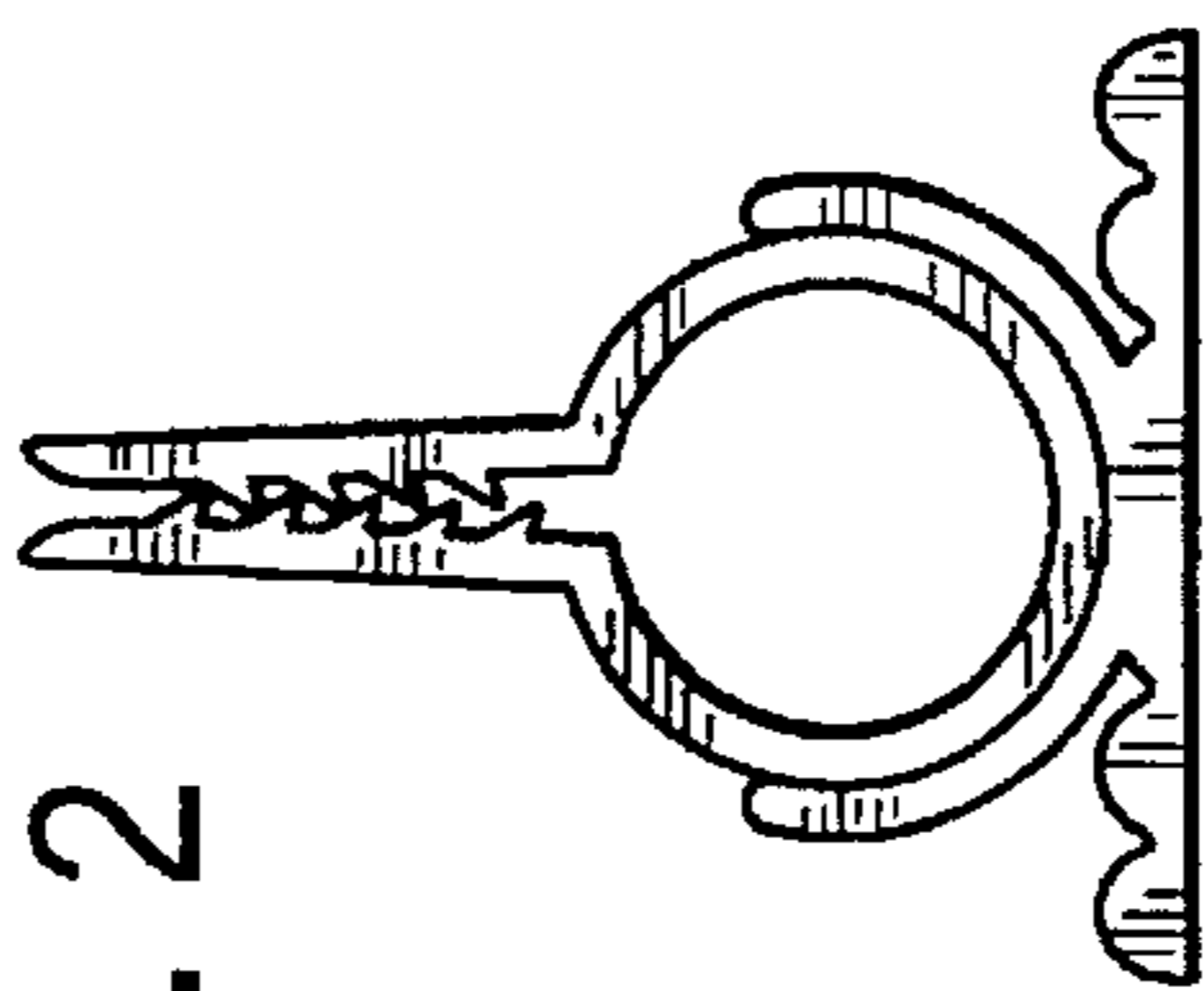
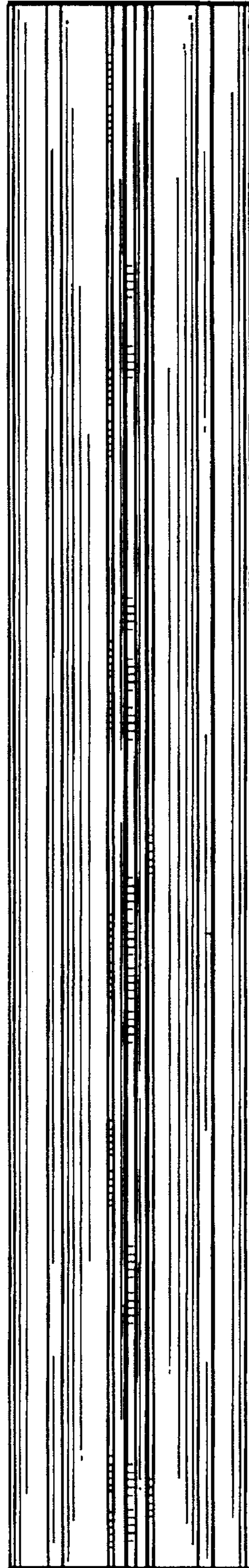


FIG. 3



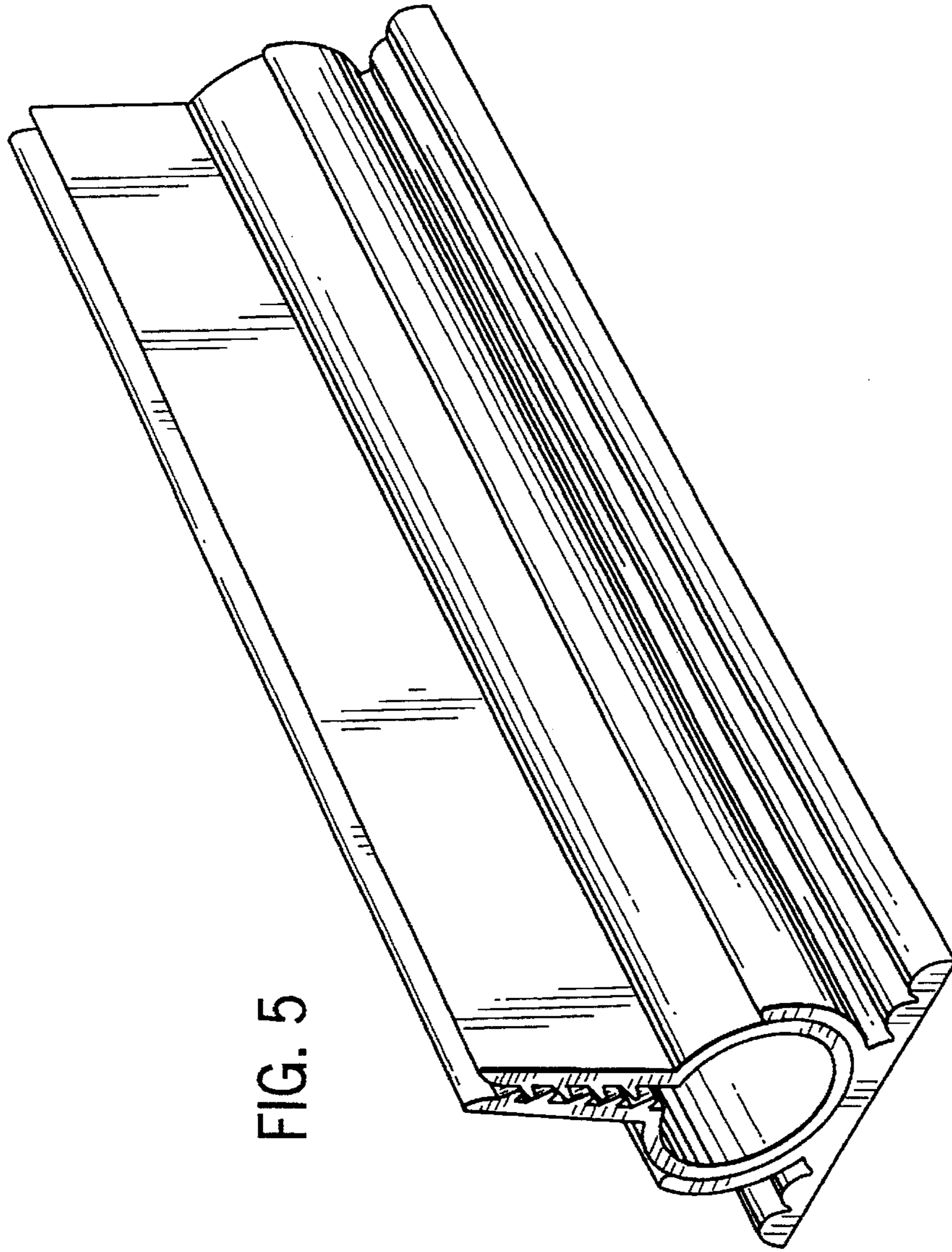


FIG. 5

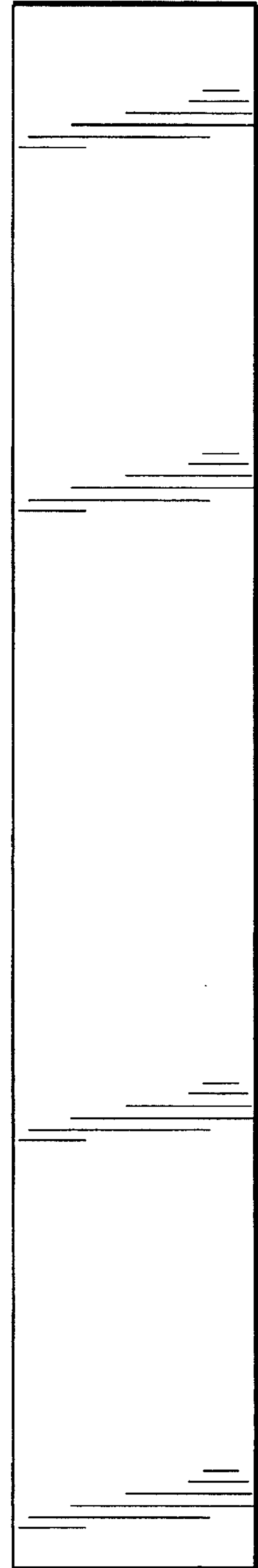


FIG. 4