



US00D381693S

**United States Patent** [19]  
**Thompson**

[11] **Patent Number: Des. 381,693**

[45] **Date of Patent: \*\*Jul. 29, 1997**

[54] **HALTER DISPLAY**

[76] **Inventor: Dennis R. Thompson, 5500 SW. 6th Pl., Ocala, Fla. 32674**

[\*\*] **Term: 14 Years**

[21] **Appl. No.: 43,408**

[22] **Filed: Sep. 1, 1995**

[51] **LOC (6) Cl. .... 20-02**

[52] **U.S. Cl. .... D20/10; D30/152; D30/136**

[58] **Field of Search .... D20/10, 12, 19; 54/24, 71; D30/134, 137, 136, 152; 40/303, 584, 124, 124.1, 409**

[56] **References Cited**

**U.S. PATENT DOCUMENTS**

|           |        |               |       |
|-----------|--------|---------------|-------|
| 4,094,131 | 6/1978 | McElvey ..... | 54/24 |
| 5,086,611 | 2/1992 | Purdy .....   | 54/24 |
| 5,442,900 | 8/1995 | Ciampi .....  | 54/71 |

**OTHER PUBLICATIONS**

Medalist Contoured Halter(E), Miller's The World of Riding, Horse Publication Box Jul. 89 May 20, 1990.

*Primary Examiner*—Susan J. Lucas  
*Assistant Examiner*—Jennifer Register  
*Attorney, Agent, or Firm*—David G. Henry

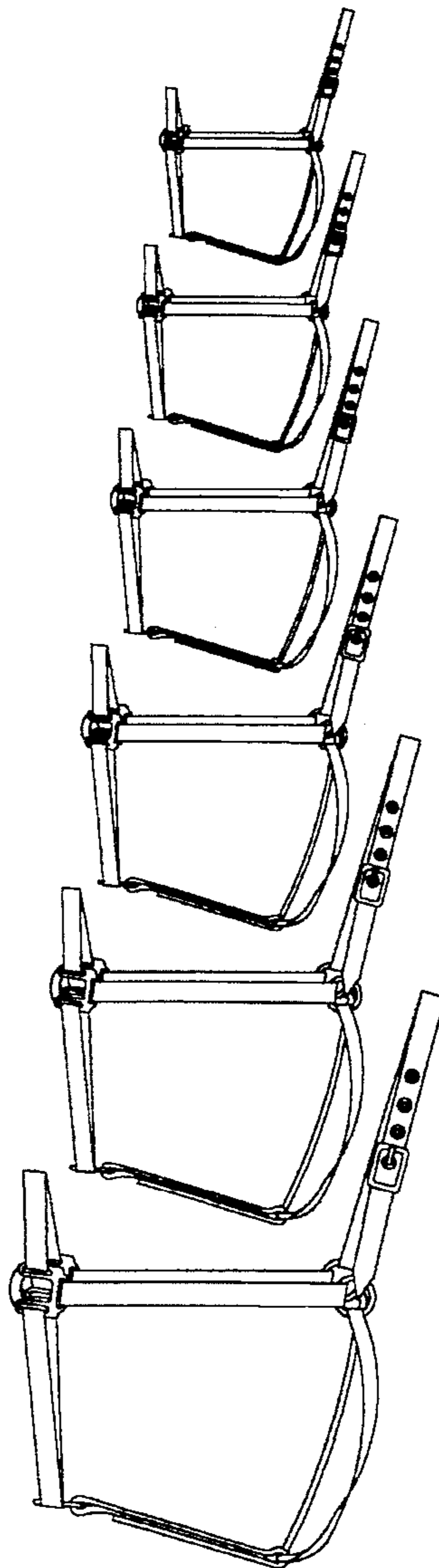
[57] **CLAIM**

The ornamental design for a halter display, as shown and described.

**DESCRIPTION**

FIG. 1 is right elevational side view of a halter display showing my new design;  
FIG. 2 is a bottom plan view thereof;  
FIG. 3 is a top plan view thereof;  
FIG. 4 is a back view thereof;  
FIG. 5 is a front view thereof; and,  
FIG. 6 is a left elevational side view thereof.

**1 Claim, 5 Drawing Sheets**



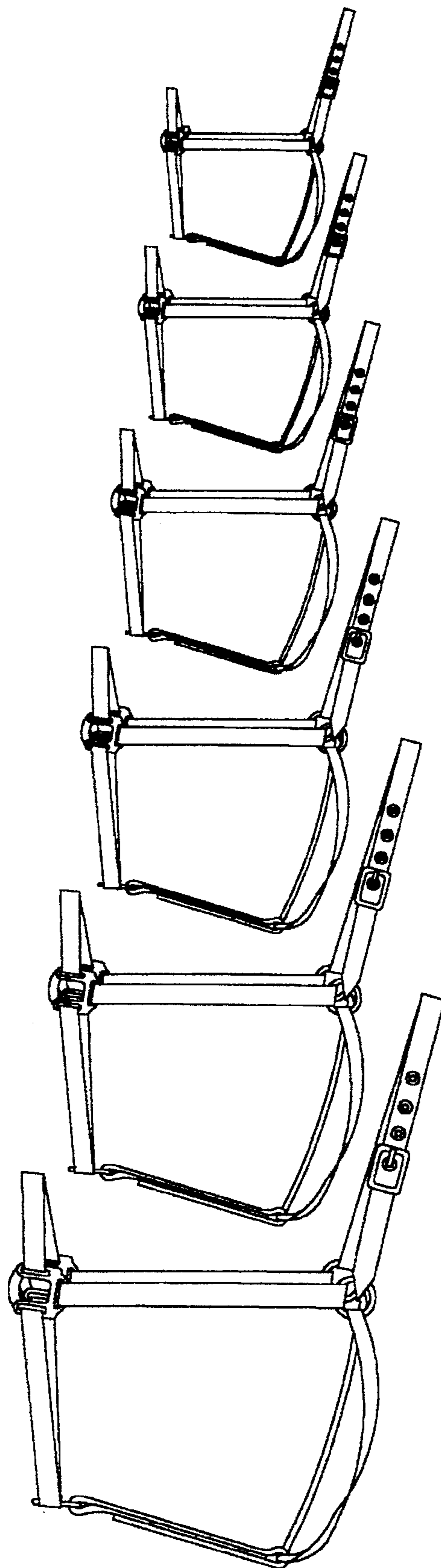


Fig. 1

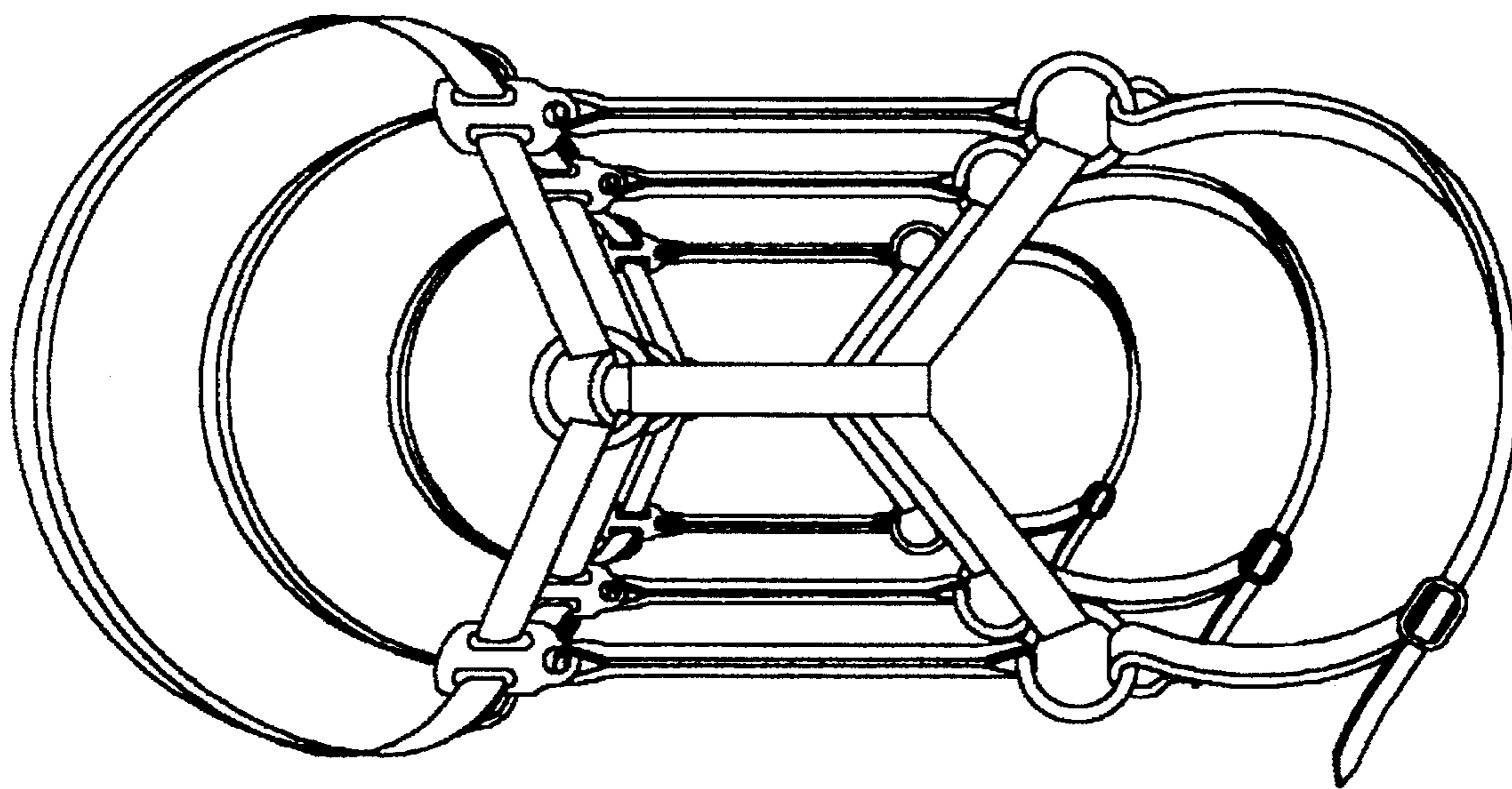


Fig. 2

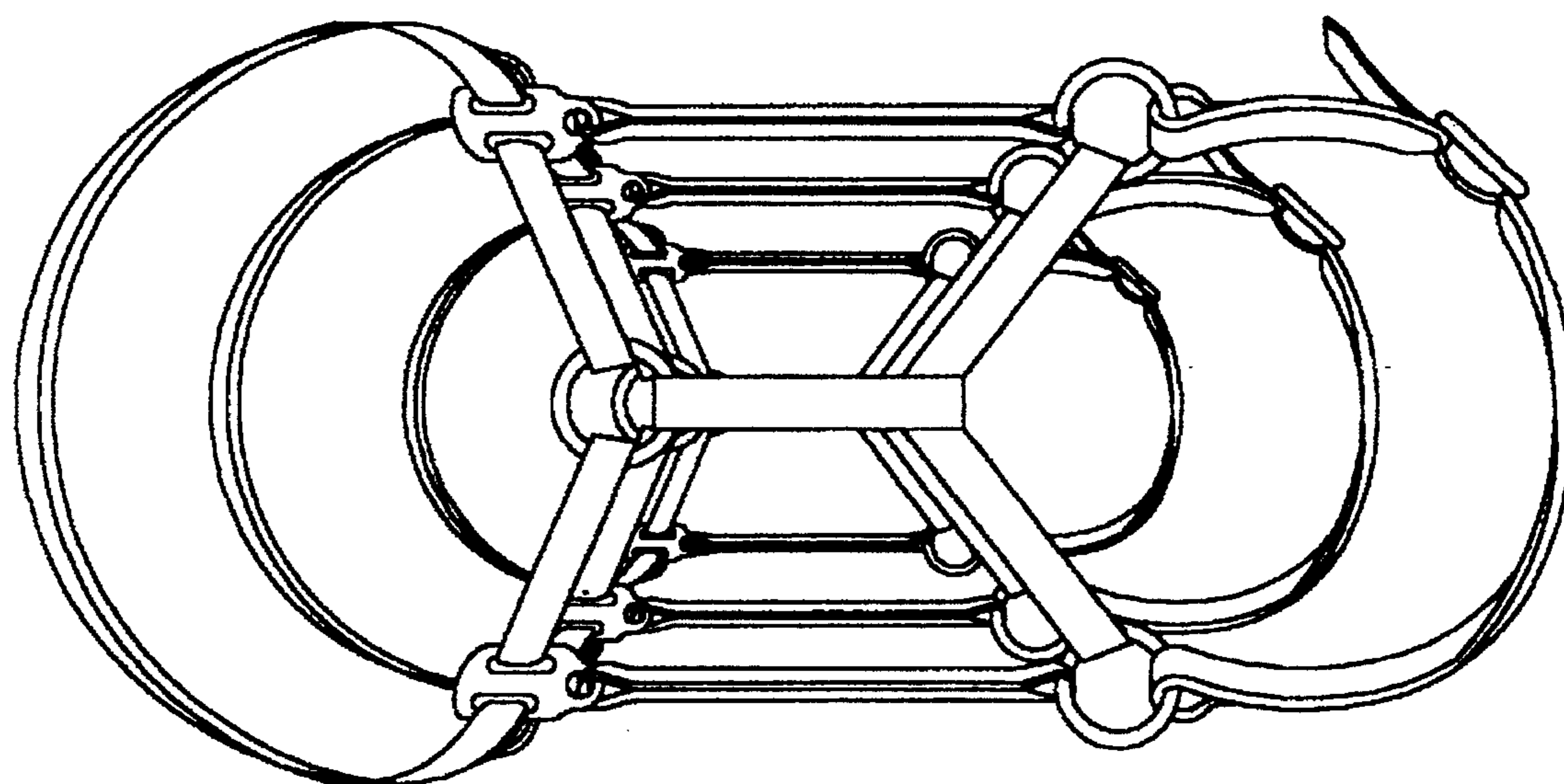


Fig. 3

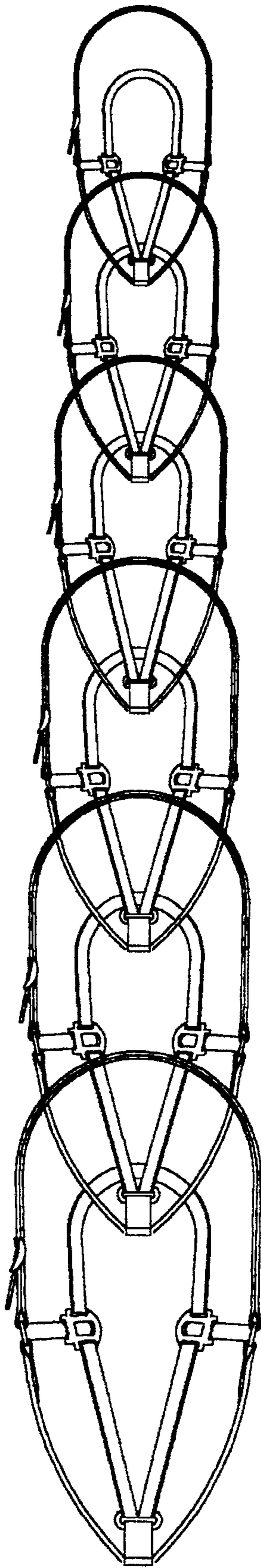


Fig. 4

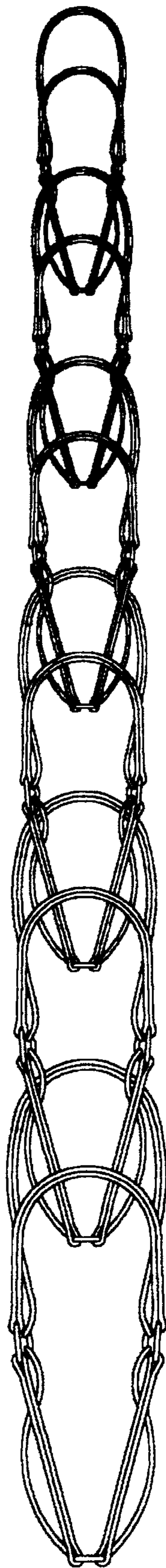


Fig. 5

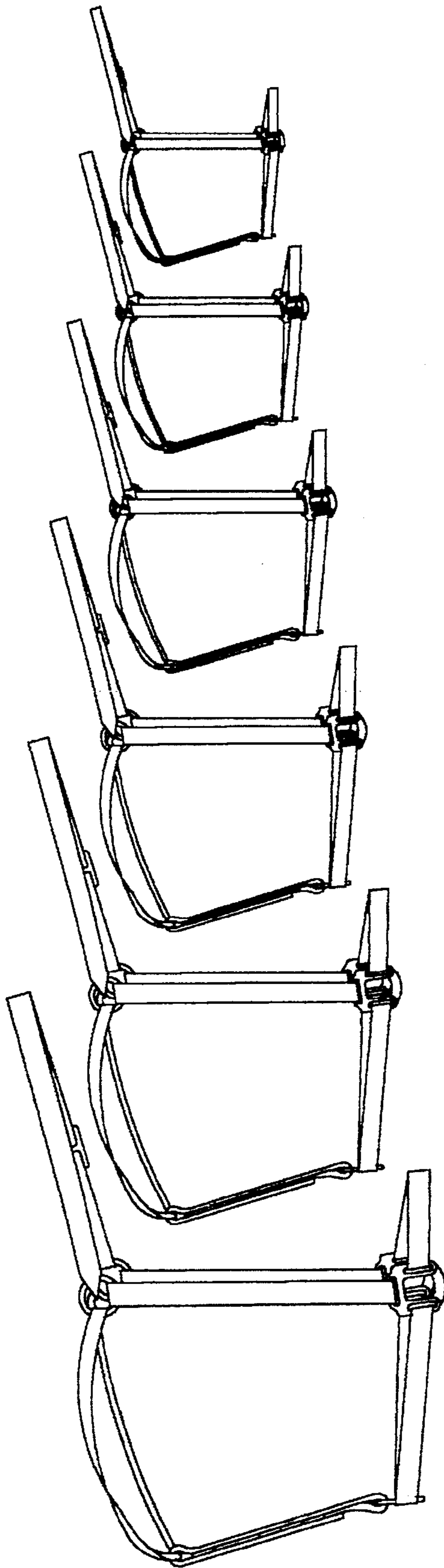


Fig. 6