

US00D381692S

United States Patent [19]

Lovell

[11] Patent Number: **Des. 381,692**

[45] Date of Patent: ****Jul. 29, 1997**

[54] **MAGAZINE BOX**

[76] Inventor: **Paul Metivier Lovell**, 15 Atkinson Close, Orpington, Kent BR6 6LL, England

[**] Term: **14 Years**

[21] Appl. No.: **53,182**

[22] Filed: **Apr. 15, 1996**

[30] Foreign Application Priority Data

Oct. 16, 1995 [GB] United Kingdom 2051163

[51] **LOC (6) Cl.** **19-02**

[52] **U.S. Cl.** **D19/91; D19/326; D19/90; D19/86; D19/75**

[58] **Field of Search** D19/26, 65, 75, D19/86, 90, 91, 92, 95, 99, 100; D20/10; D9/326; 206/215, 428, 444, 562, 457; 229/116.1, 125.11, 125.12

[56] References Cited

U.S. PATENT DOCUMENTS

D. 72,943	6/1927	Friedman	D9/326
D. 188,966	10/1960	Petit	D19/92
D. 233,654	11/1974	Lawlor et al.	D9/326
D. 244,852	6/1977	Fieni	D19/92

D. 272,546	2/1984	Holson	D19/78 X
D. 314,981	2/1991	Hassel	D19/75
1,738,333	12/1929	Szymanski	206/562
1,756,135	4/1930	Ruskin	229/116.1
2,124,036	7/1938	Klein	229/125.12
2,341,600	2/1944	Daniel	206/457

Primary Examiner—Martie Thompson
Attorney, Agent, or Firm—Baker & Daniels

[57] CLAIM

The ornamental design for a magazine box, as shown and described.

DESCRIPTION

FIG. 1 is a front elevational view of my new design, the rear elevational view thereof being a mirror image;

FIG. 2 is a top plan view of my new design; the bottom plan view being a mirror image thereof;

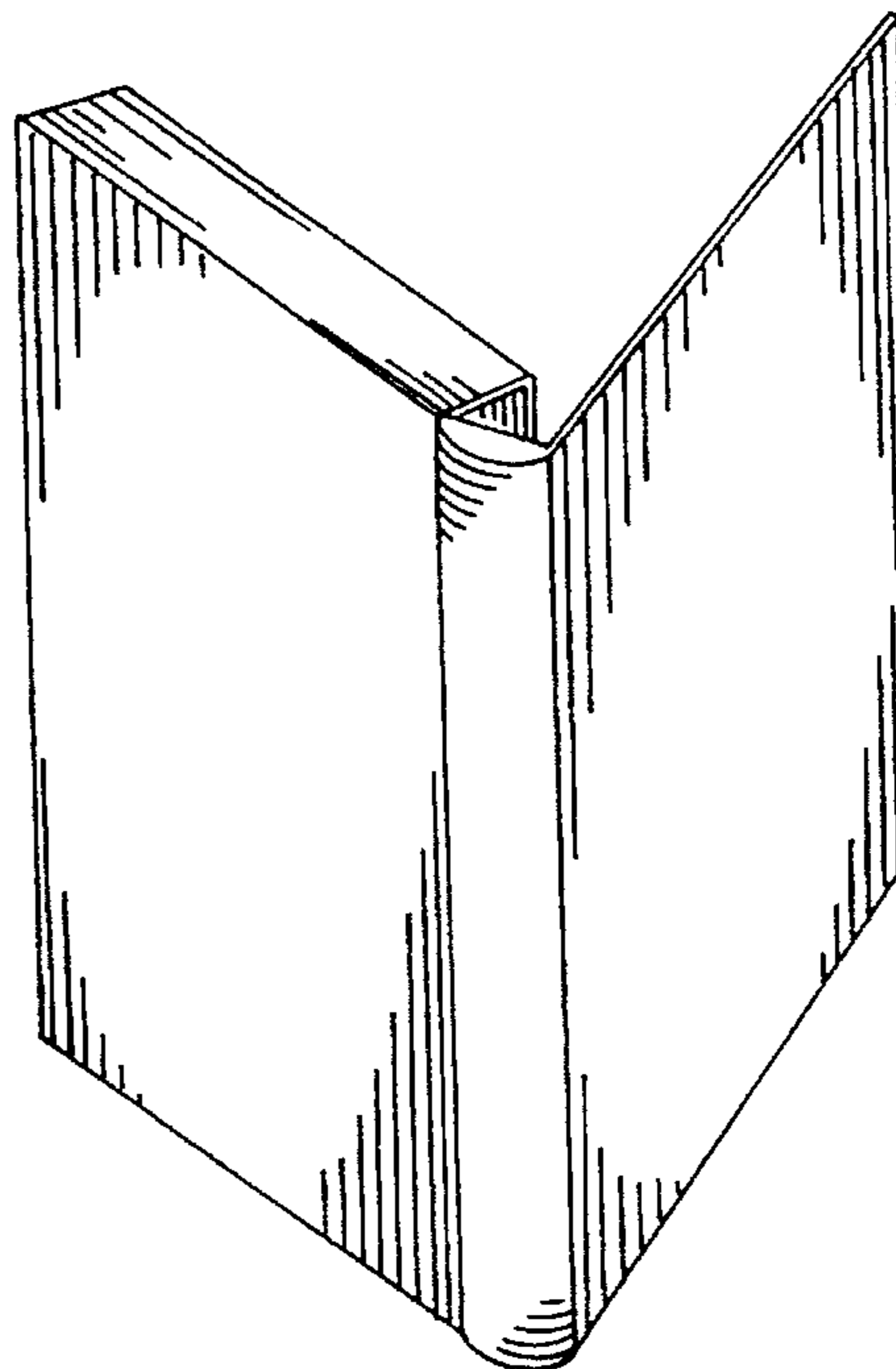
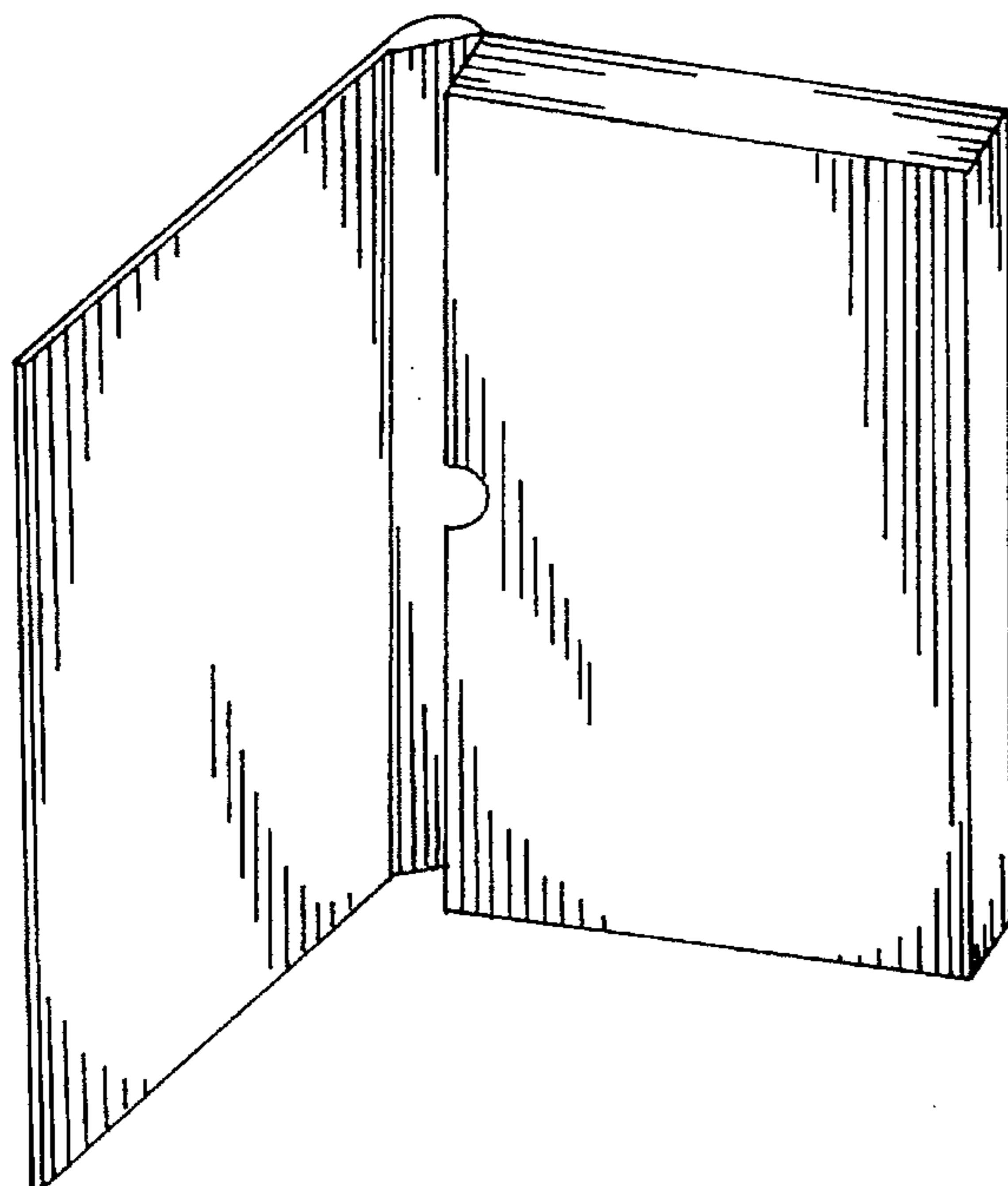
FIG. 3 is a bottom end view of my new design showing the lid thereof in a partially open position;

FIG. 4 is a perspective view of my new design as viewed from the left side and bottom thereof;

FIG. 5 is a perspective view of my new design as seen in its upright position with its lid fully open; and,

FIG. 6 is a perspective view of my new design as seen from the rear with its lid partially opened.

1 Claim, 3 Drawing Sheets



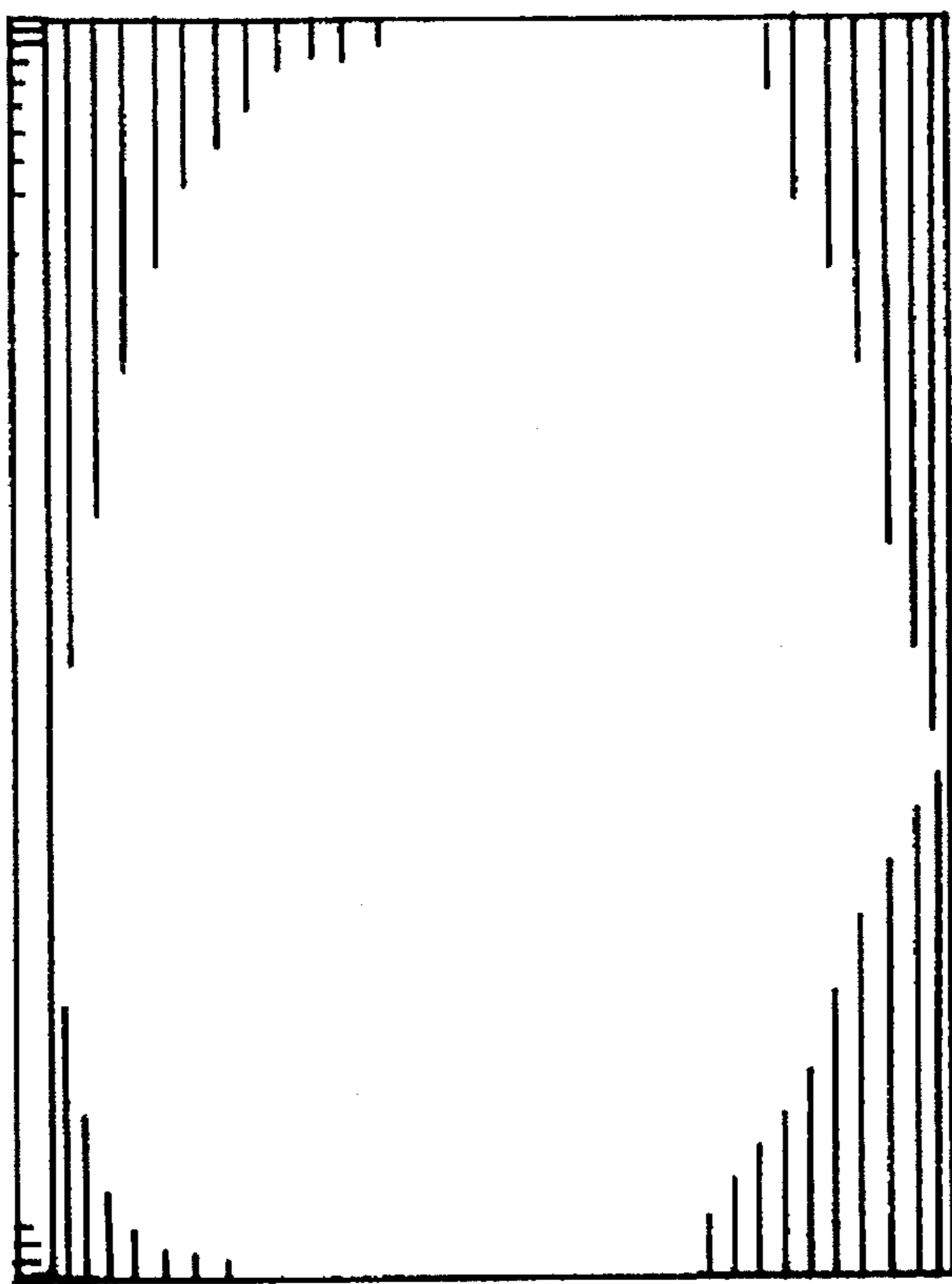


FIG. 1

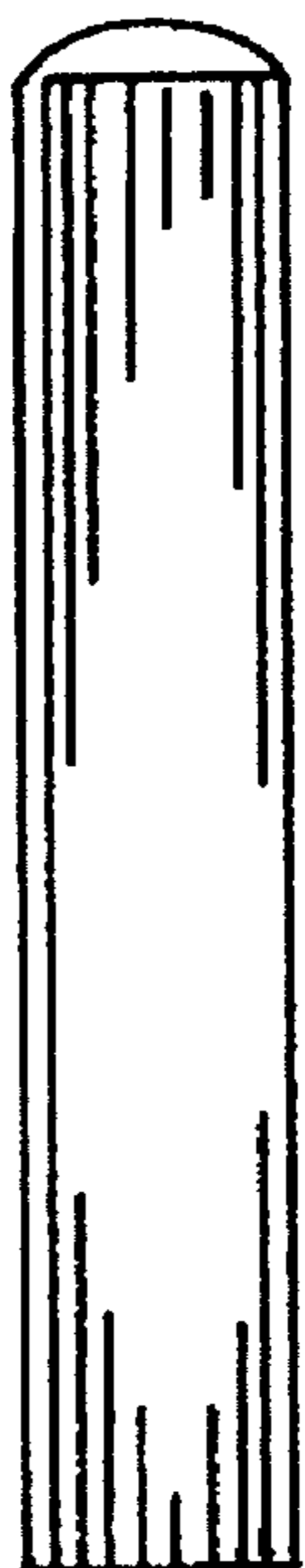


FIG. 2

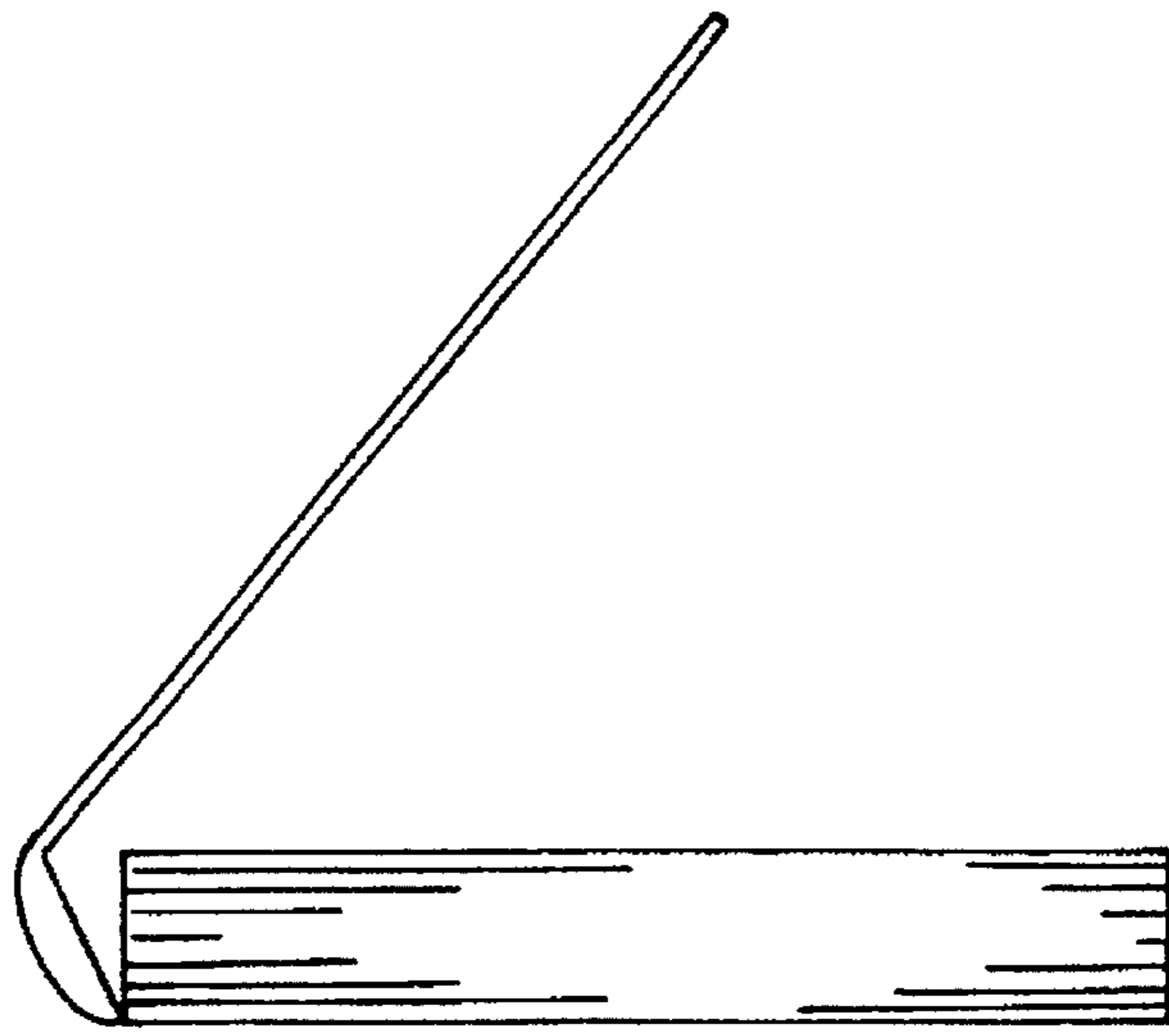


FIG. 3

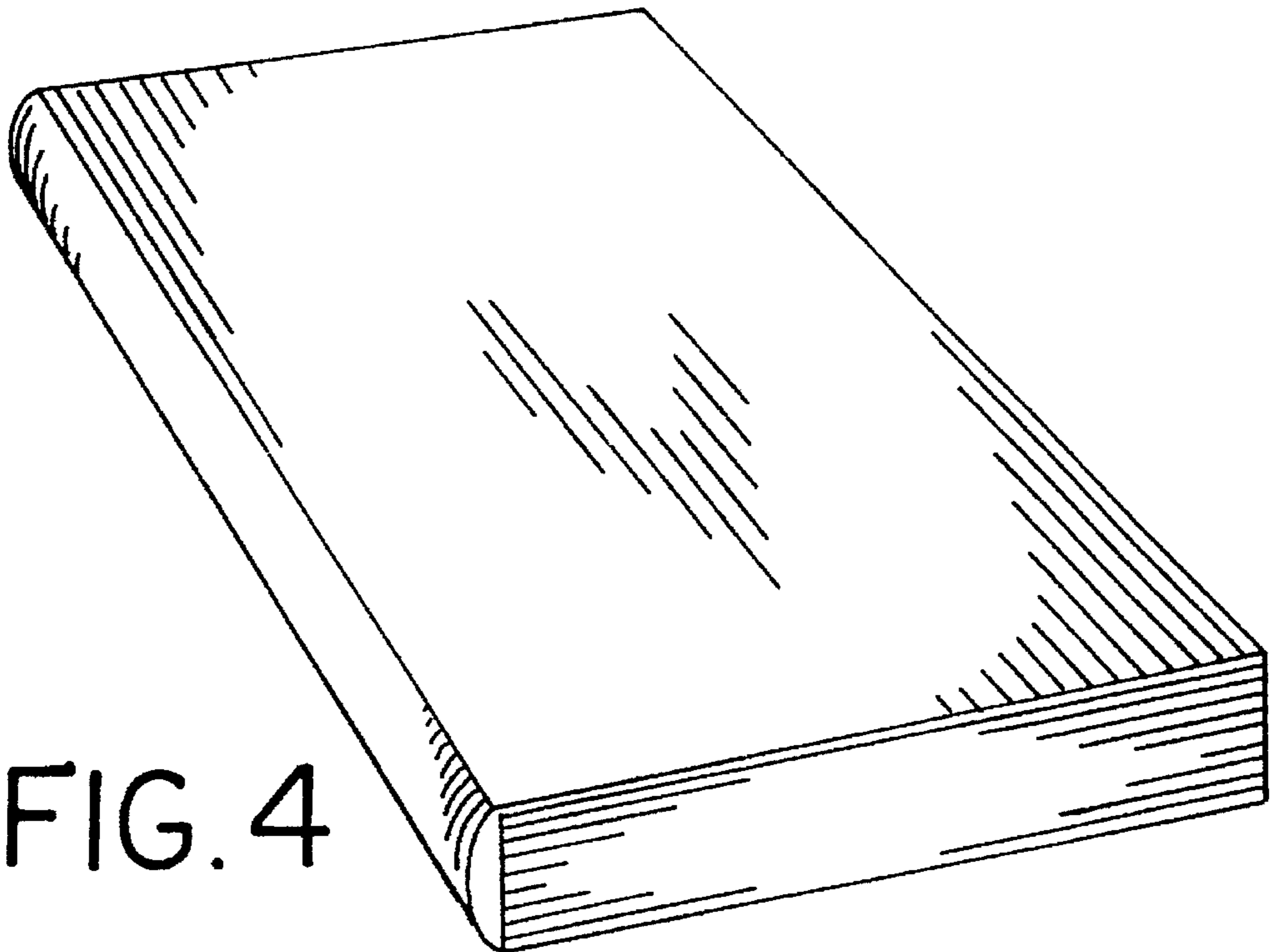


FIG. 4

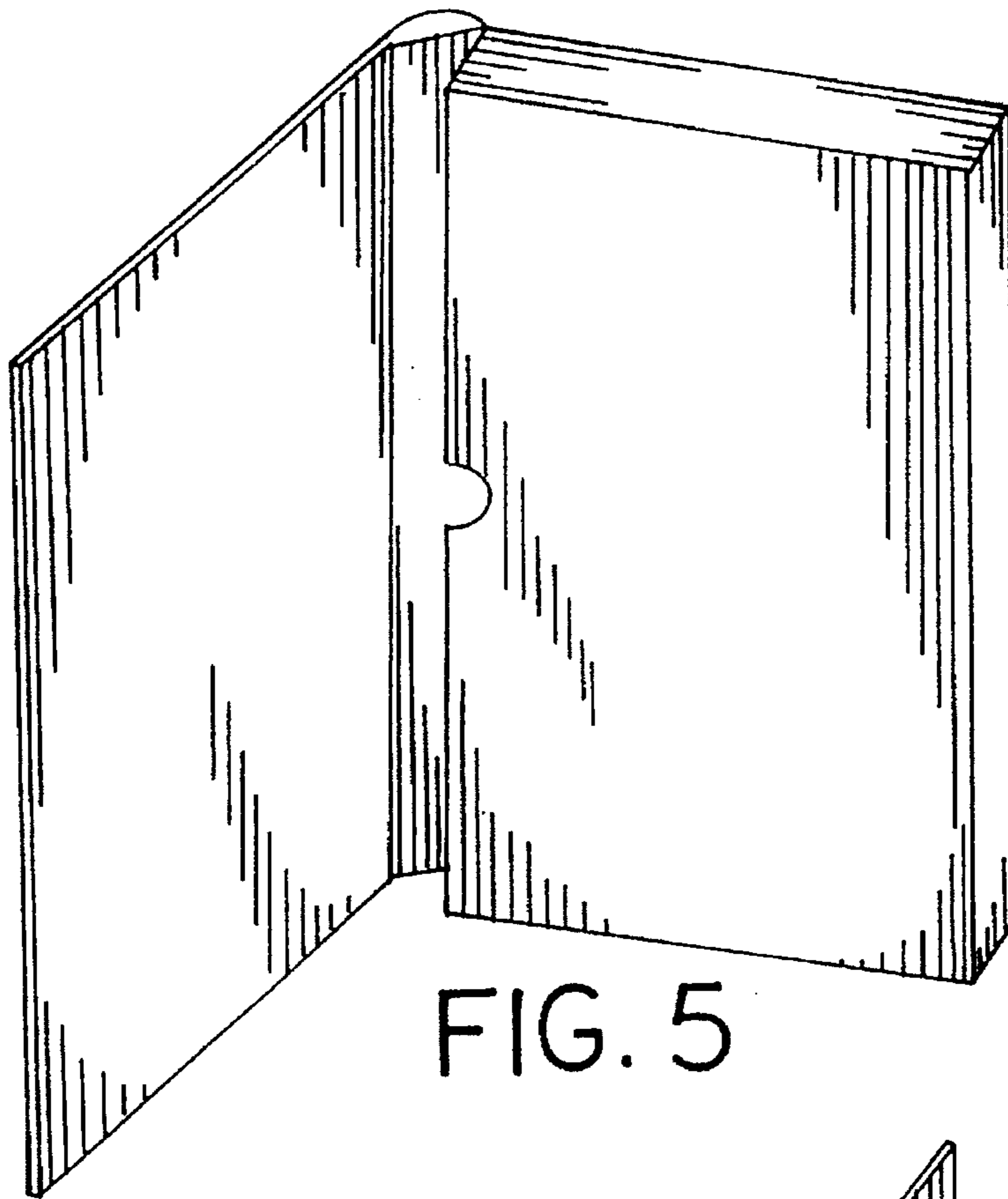


FIG. 5

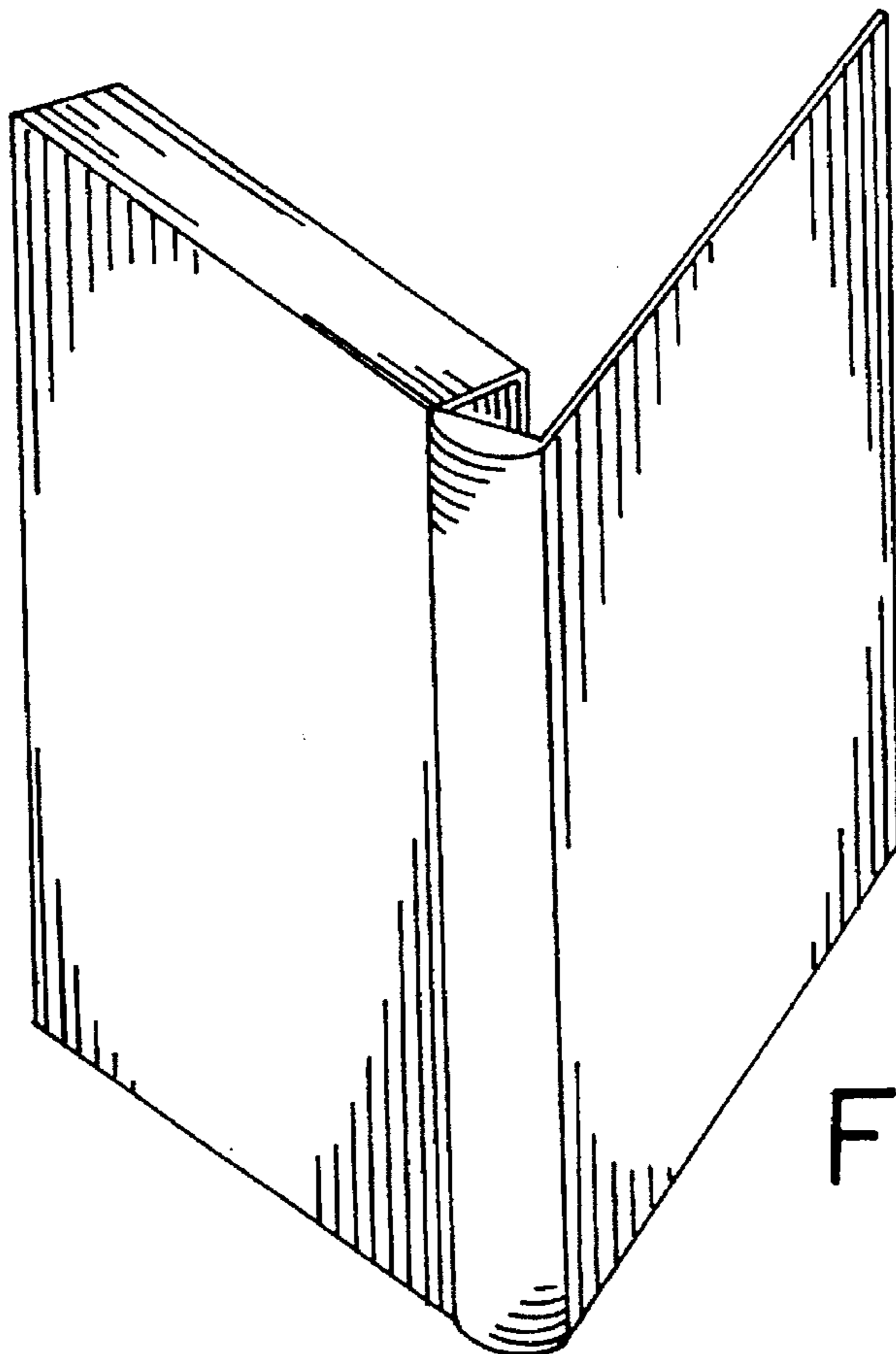


FIG. 6