



US00D381690S

United States Patent [19]

Anderson et al.

[11] Patent Number: Des. 381,690

[45] Date of Patent: **Jul. 29, 1997

[54] MULTI-POCKET TRANSLUCENT JOB ORGANIZER

2,468,817 5/1949 Duchin 206/447
4,388,958 6/1983 Dworkin 206/216

[75] Inventors: **Angela R. Anderson**, Seattle; **Grant L. Beck**, Mercer Island; **Dennis R. Brooke**, Auburn; **Harmon R. Leonard, III**, Issaquah; **Richard W. Rice**, Kent; **Eric A. Scott**, Tacoma; **Bill F. Zieske**, Maple Valley, all of Wash.

Primary Examiner—Martie Thompson
Attorney, Agent, or Firm—Christensen O'Connor Johnson & Kindness PLLC

[57] CLAIM

The ornamental design for a multi-pocket translucent job organizer, as shown and described.

DESCRIPTION

FIG. 1 is a perspective view of a first embodiment of a multi-pocket translucent job organizer, with the cover flap in an open position, showing our new design; FIG. 2 is a front elevational view thereof; FIG. 3 is an end elevational view thereof; FIG. 4 is a rear elevational view thereof; FIG. 5 is a front elevational view of a second embodiment of our design of FIG. 1; FIG. 6 is a front perspective view of FIG. 1 with the cover closed; FIG. 7 is a perspective view of a third embodiment of our design of FIG. 1; with the cover in an open position; FIG. 8 is a front elevational view of FIG. 7; FIG. 9 is an end elevational view of FIG. 7; FIG. 10 is a rear elevational view of FIG. 7; FIG. 11 is a front elevational view of a fourth embodiment of our design of FIG. 1; and, FIG. 12 is a perspective view of FIG. 7 with the cover closed.

[73] Assignee: **Base-Line, Incorporated**, Auburn, Wash.

[**] Term: **14 Years**

[21] Appl. No.: **43,885**

[22] Filed: **Sep. 13, 1995**

[51] LOC (6) Cl. **19-02**

[52] U.S. Cl. **D19/90; D3/247; D19/91; D19/86**

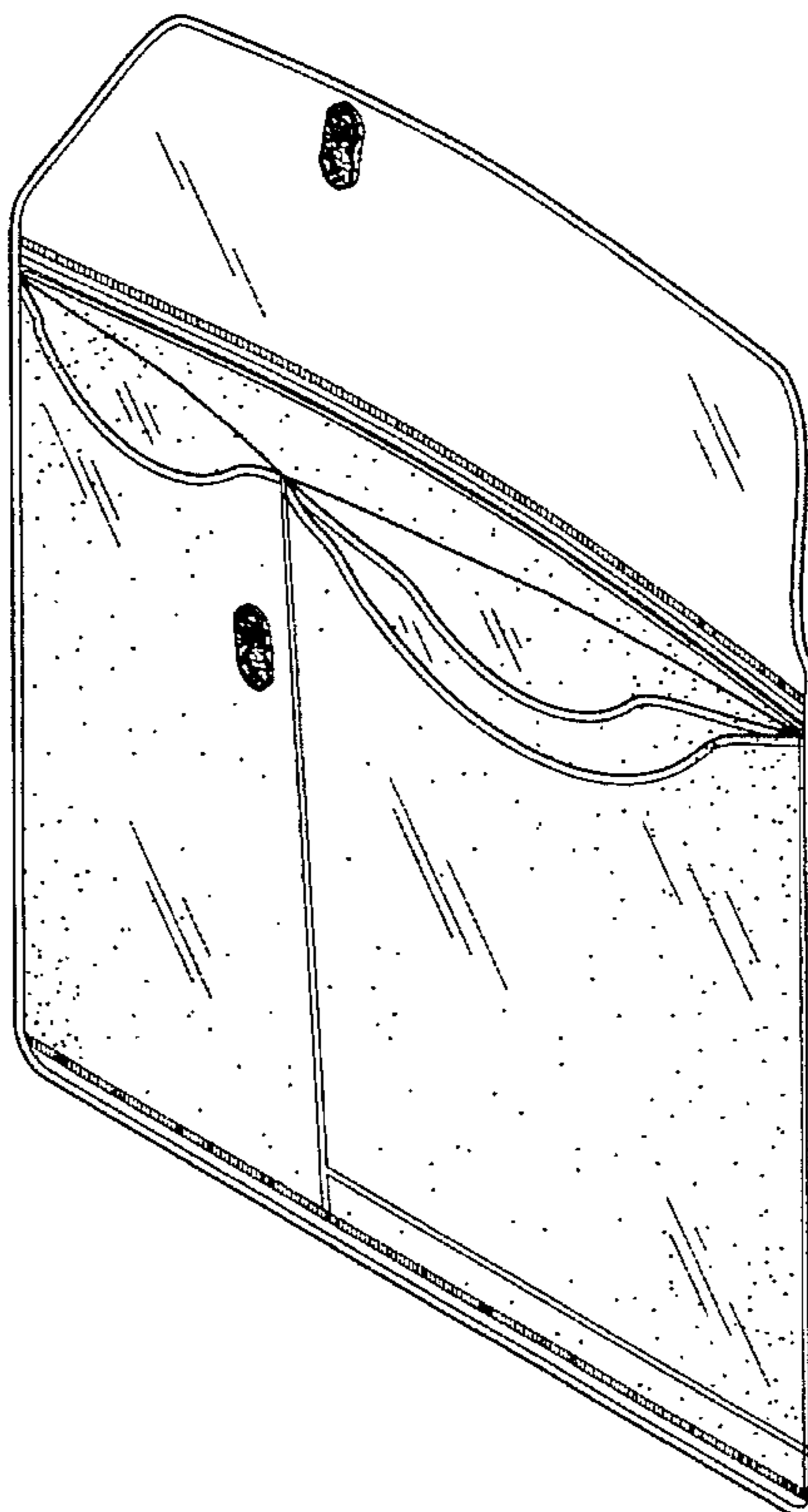
[58] Field of Search **D3/247; D19/26, D19/27, 32, 33, 65, 75, 78, 86, 90, 91, 95, 99, 100; 206/216, 39, 447, 454; 229/72; 383/39**

[56] References Cited

U.S. PATENT DOCUMENTS

D. 202,940	11/1965	Bloom	D19/86
D. 251,082	2/1979	Petrie	D3/247
D. 316,718	5/1991	Hiltunen	D3/247
D. 334,588	4/1993	Okola	D19/27
D. 352,733	11/1994	French	D19/32

1 Claim, 9 Drawing Sheets



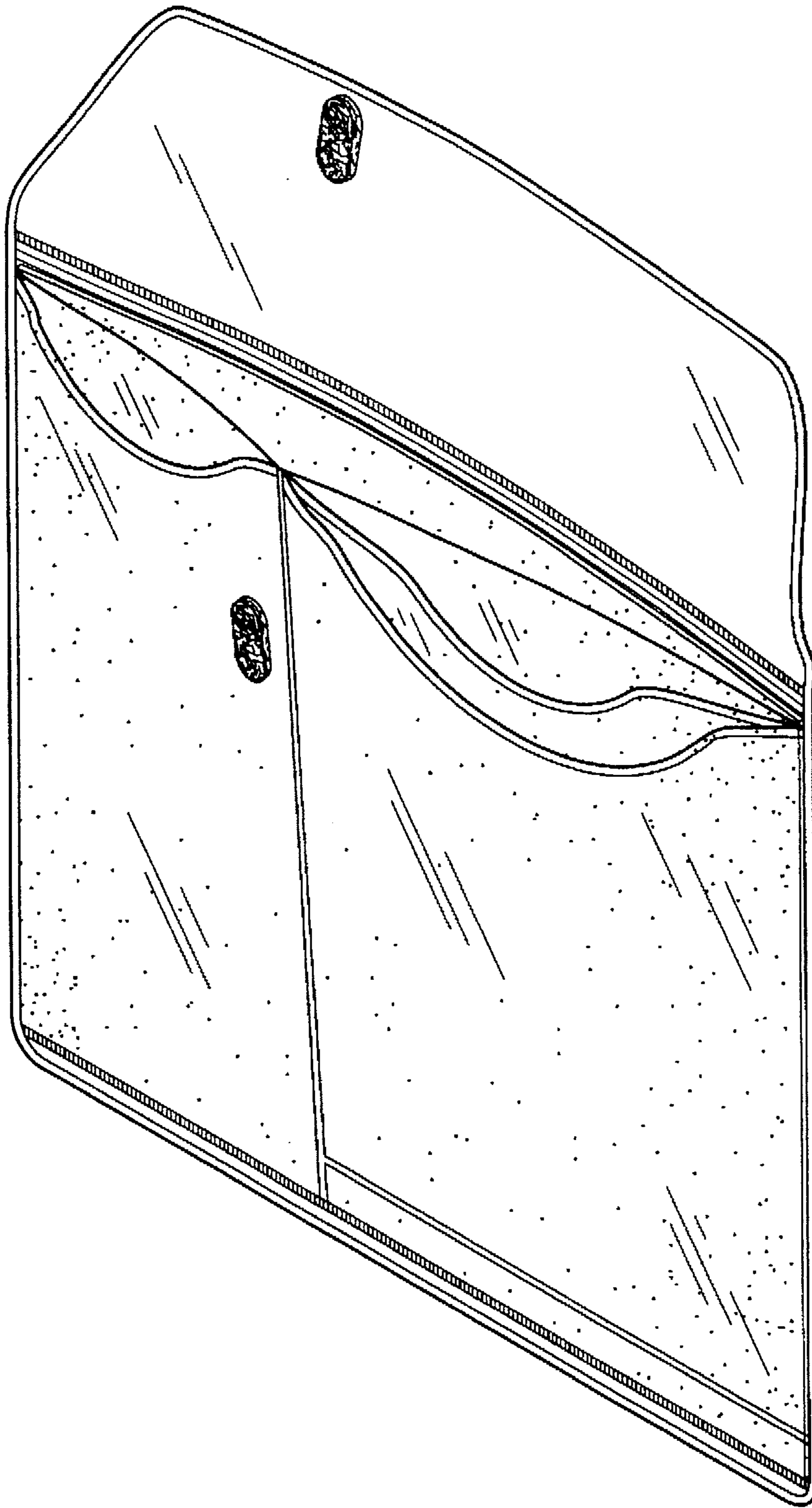


Fig. 1.

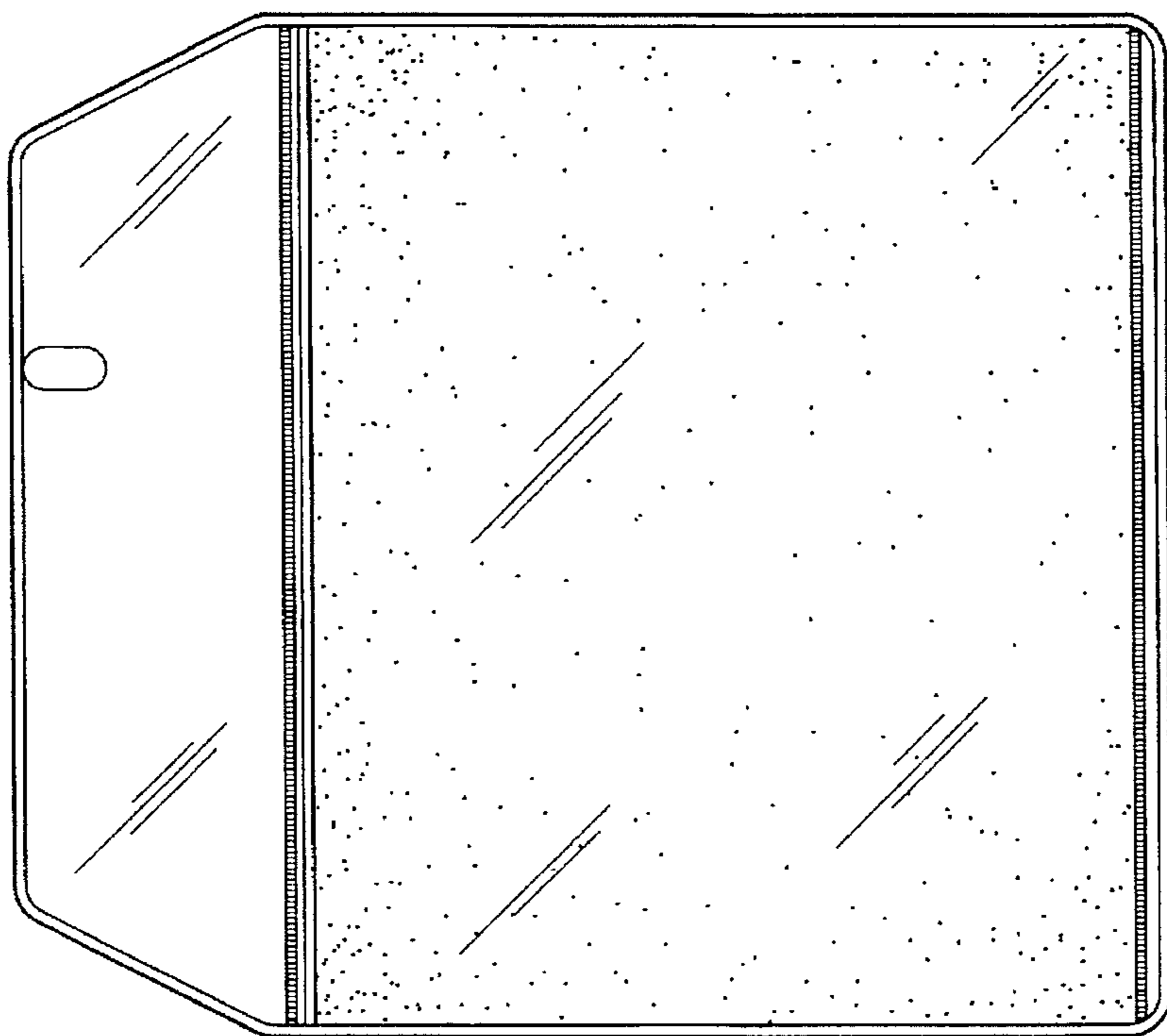


Fig. 4.



Fig. 3.

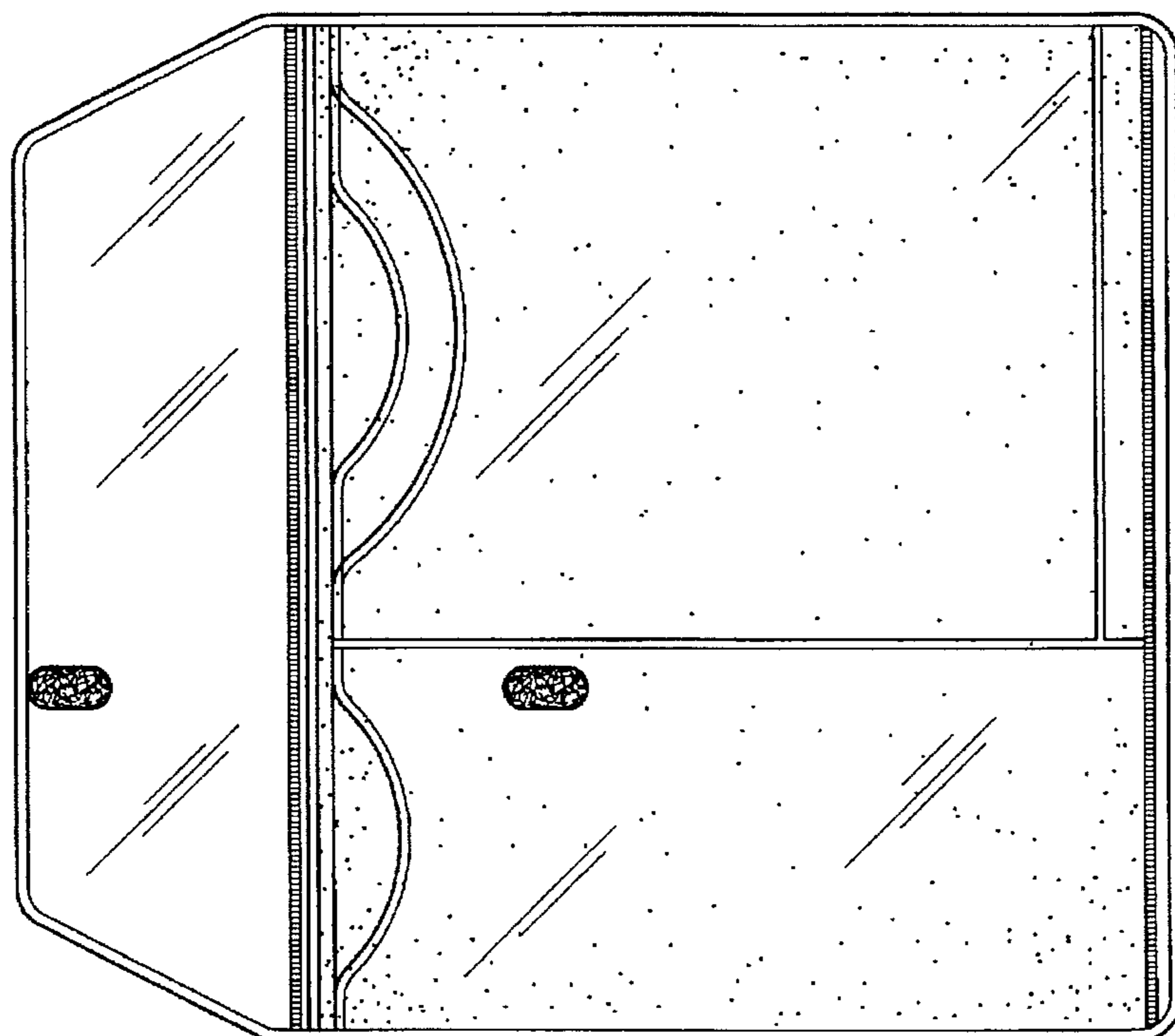


Fig. 2.

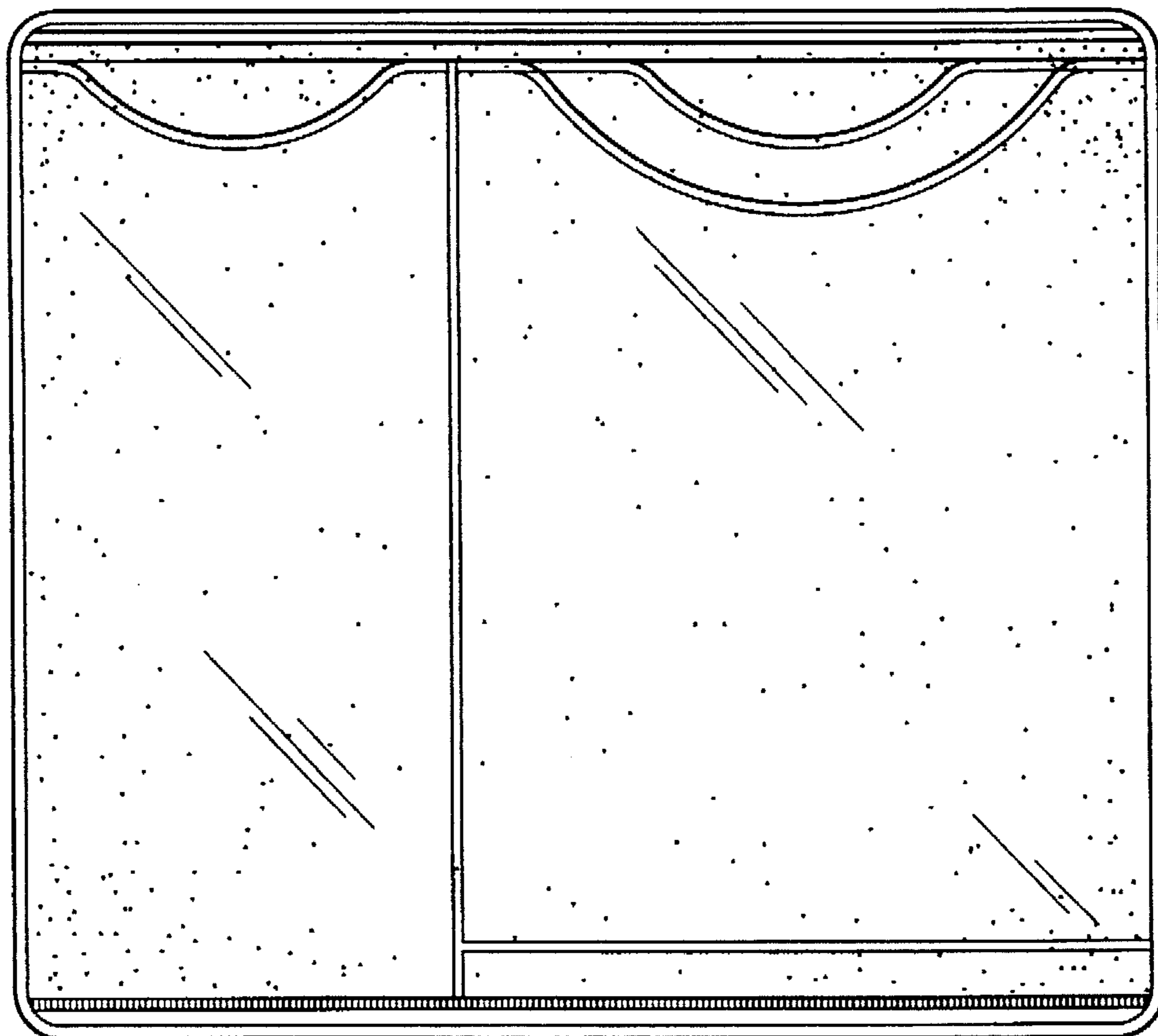


Fig. 5.

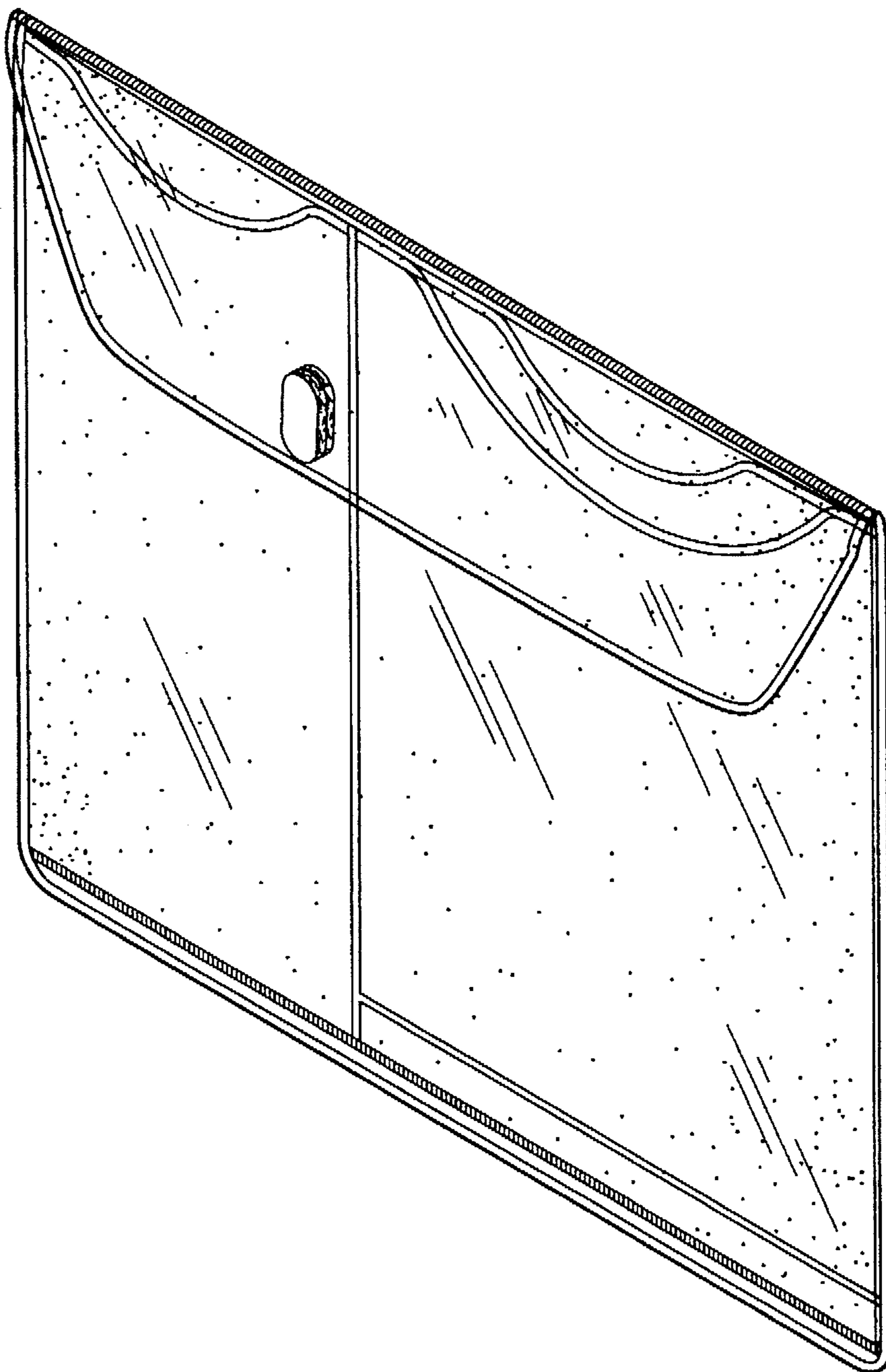


Fig. 6.

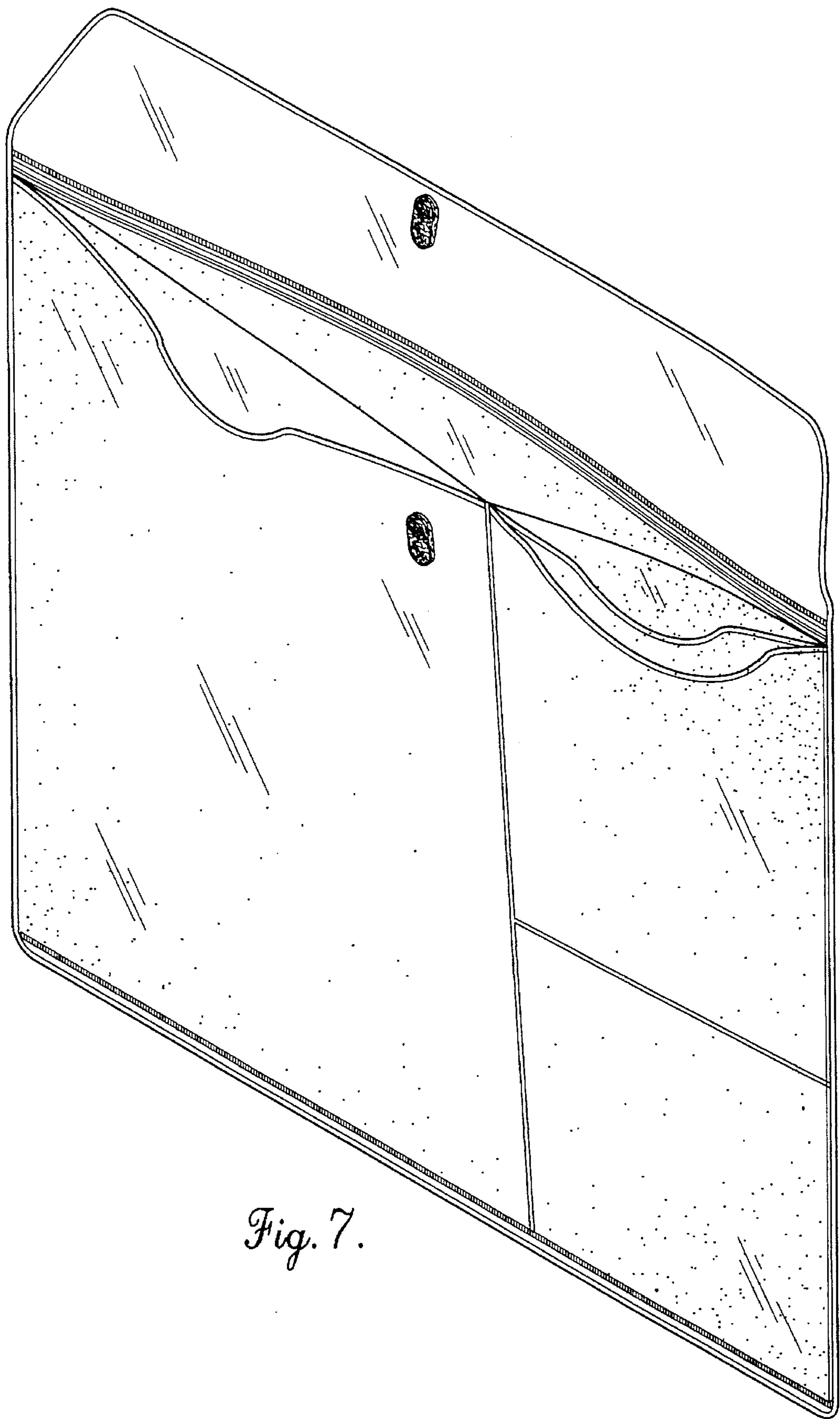


Fig. 7.

Fig. 8.

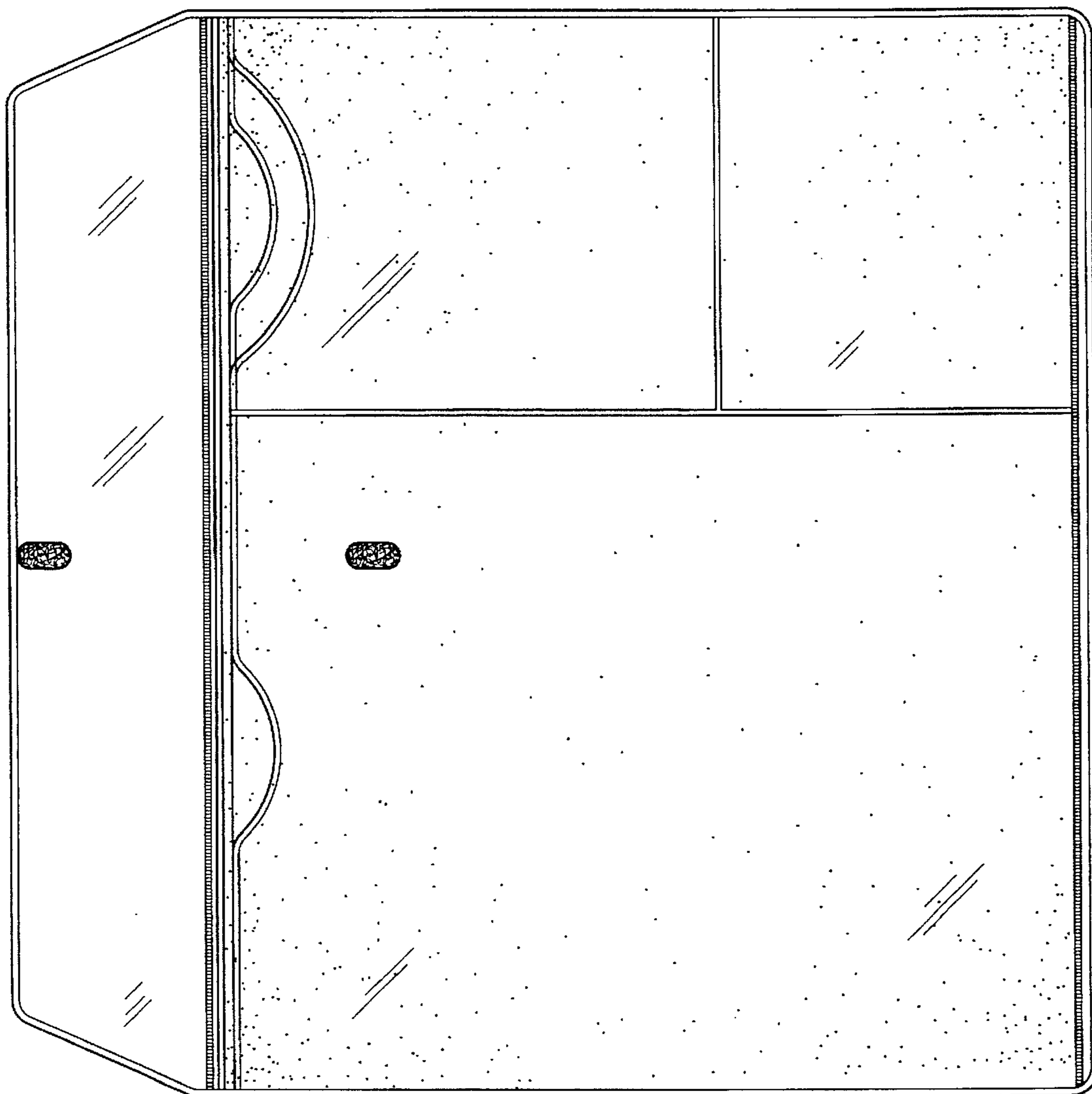


Fig. 10.

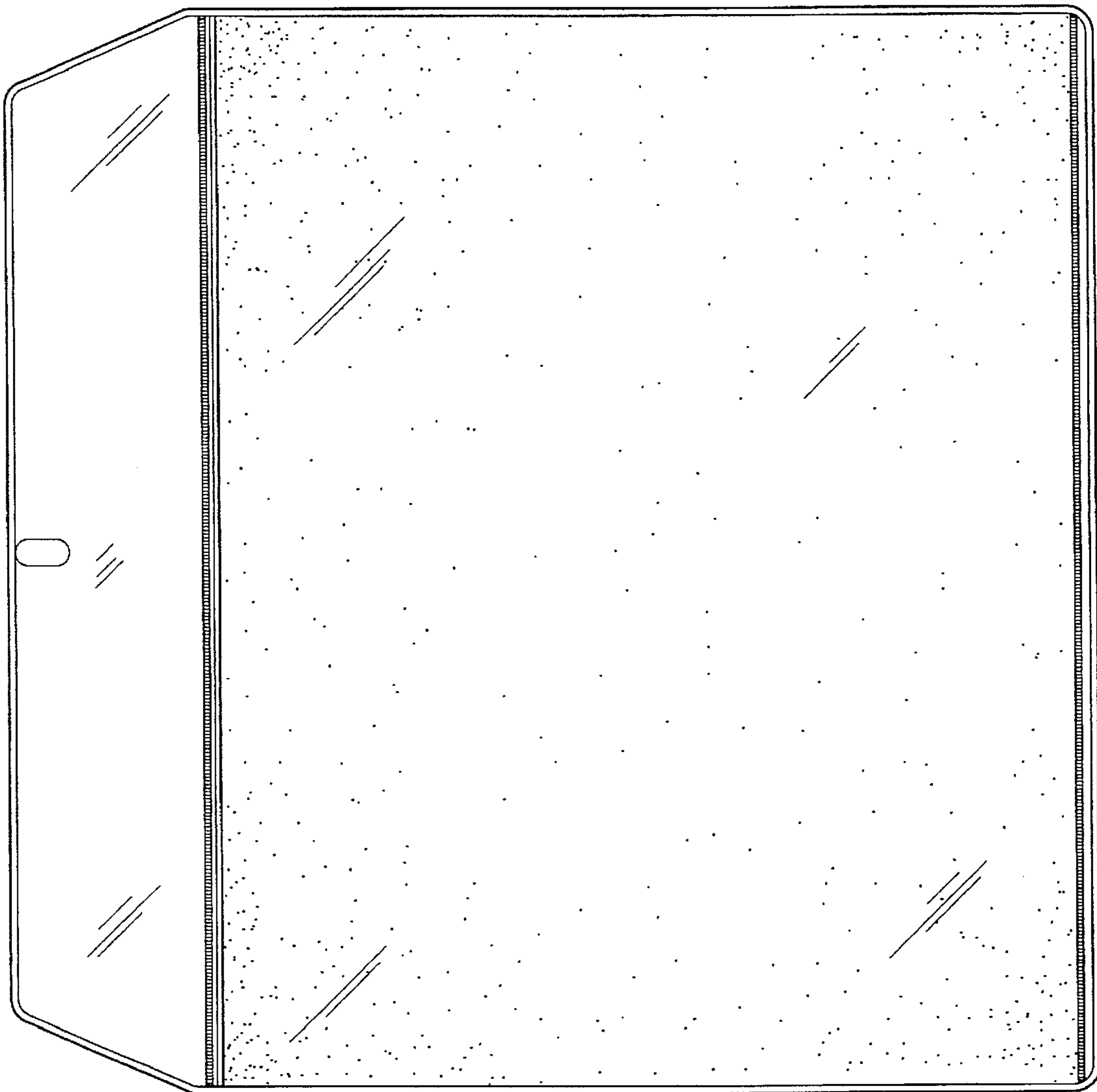


Fig. 9.

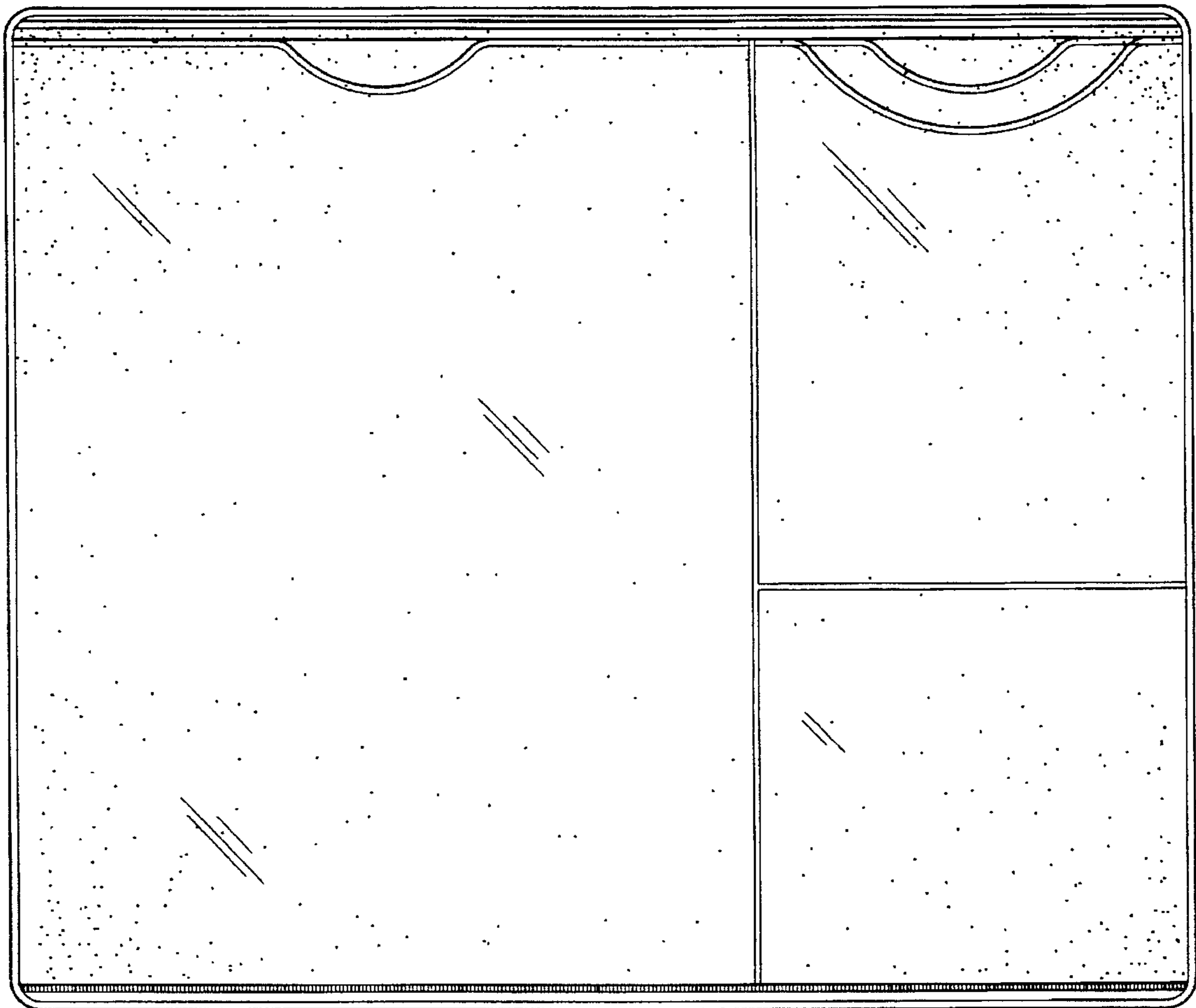


Fig. 11.

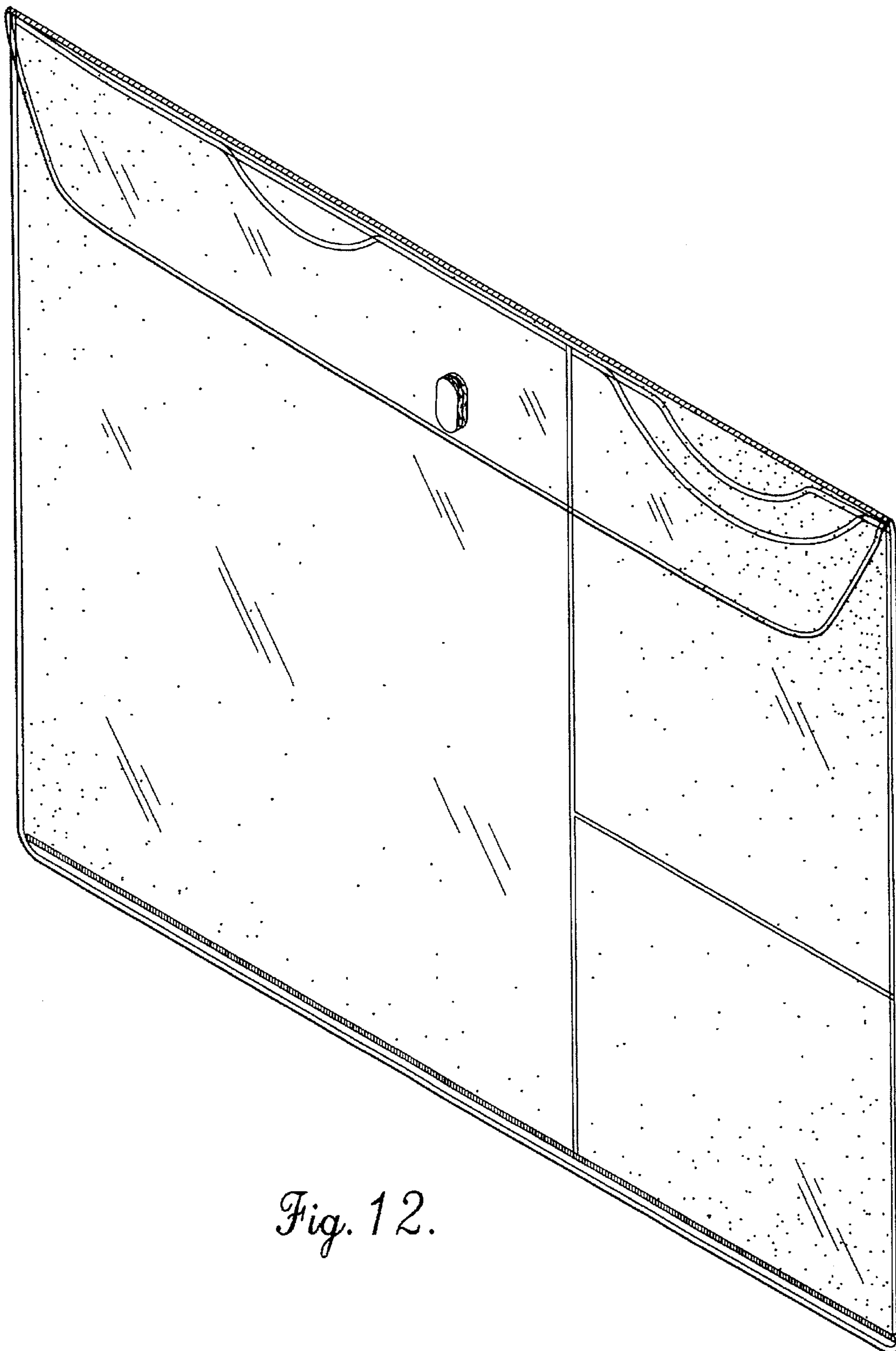


Fig. 12.