



US00D381689S

United States Patent [19]

Stoeckli et al.

[11] Patent Number: **Des. 381,689**

[45] Date of Patent: ****Jul. 29, 1997**

[54] **INDEX CARD BOX**

[75] Inventors: **Kaspar Stoeckli, Kiesen; Florin Baeriswyl, Zürich, both of Switzerland**

[73] Assignee: **USM U. Scharer Sohnee AG., Munsingen, Switzerland**

[**] Term: **14 Years**

[21] Appl. No.: **40,247**

[22] Filed: **Apr. 20, 1995**

[30] Foreign Application Priority Data

Nov. 2, 1994 [CH] Switzerland 121 781

[51] LOC (6) Cl. **19-02**

[52] U.S. Cl. **D19/90; D19/75; D19/91; D19/76**

[58] Field of Search D6/407, 626-635; D19/65, 75, 76, 86, 90, 91, 95, 99, 100; 206/425, 444, 449, 505, 508-509, 555; 211/126, 13, 88, 10, 11, 45, 50

[56] References Cited

U.S. PATENT DOCUMENTS

D. 265,768 8/1982 Howley D19/90

D. 287,425	12/1986	Kirchner	D19/76
D. 317,465	6/1991	Wadams	D19/76
878,630	2/1908	Holland	206/425
1,465,827	8/1923	Kunkel	206/425
1,727,926	9/1929	Bellis	206/425
3,841,477	10/1974	Stark	206/425 X
4,643,306	2/1987	Ryan	206/425

Primary Examiner—Martie Thompson

[57] CLAIM

The ornamental design for an index card box, as shown and described.

DESCRIPTION

FIG. 1 is a perspective view showing the left side, top and front of an index card box showing our new design;

FIG. 2 is a left side elevational view thereof;

FIG. 3 is a right side elevational view thereof;

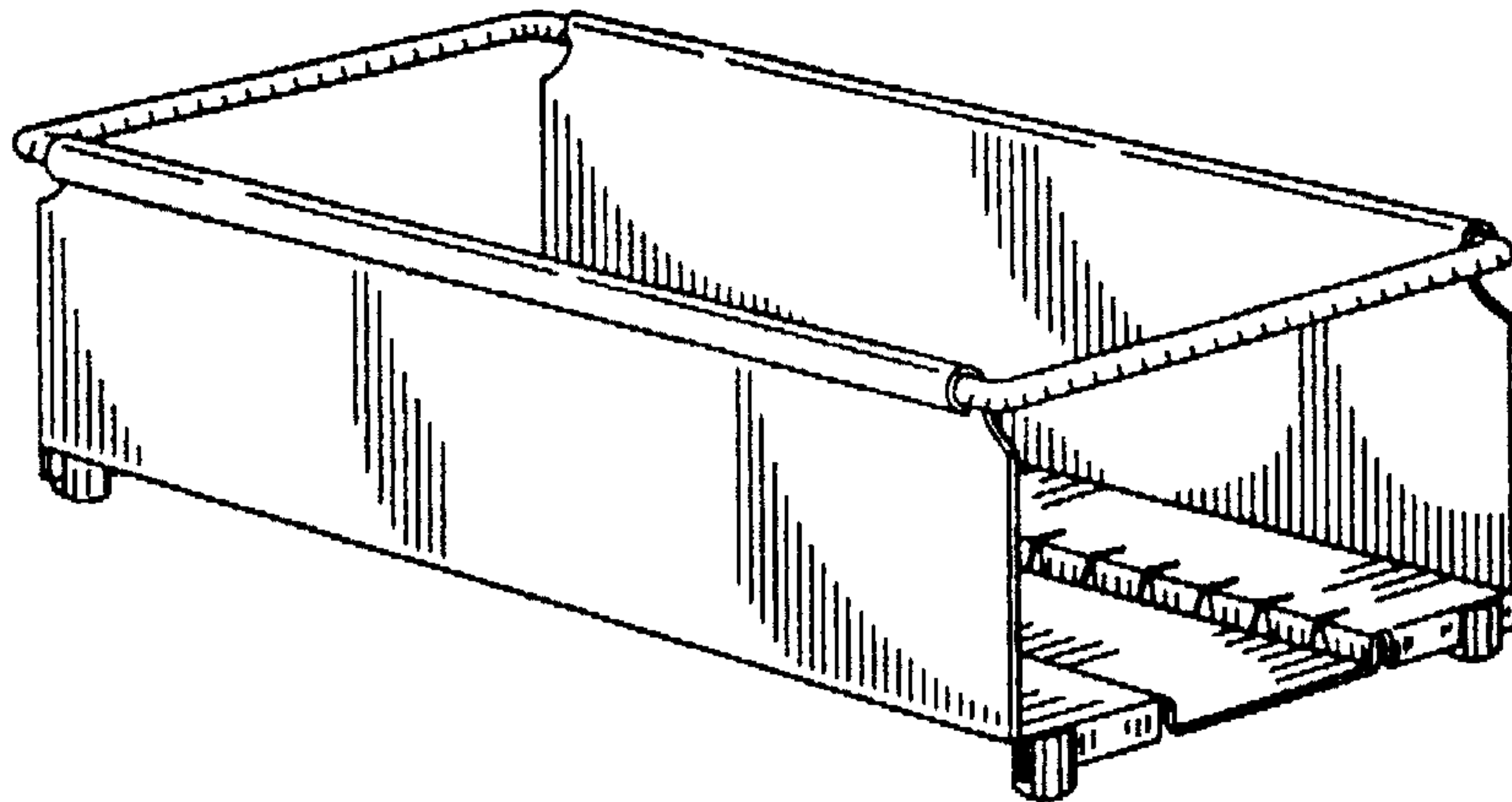
FIG. 4 is a top plan view thereof;

FIG. 5 is a front elevational view thereof;

FIG. 6 is a rear elevational view thereof; and,

FIG. 7 is a bottom plan view thereof.

1 Claim, 2 Drawing Sheets



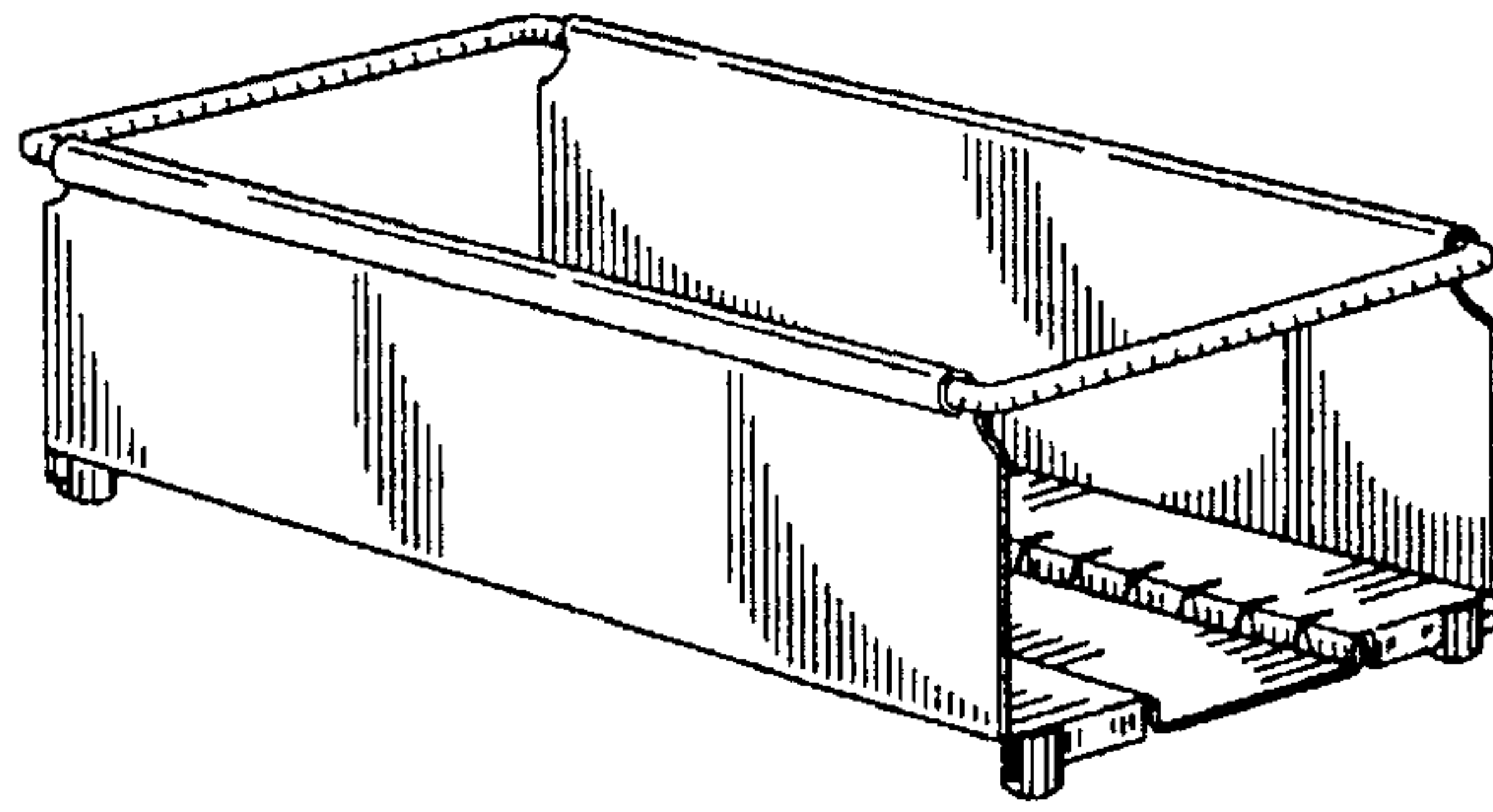


FIG. 1

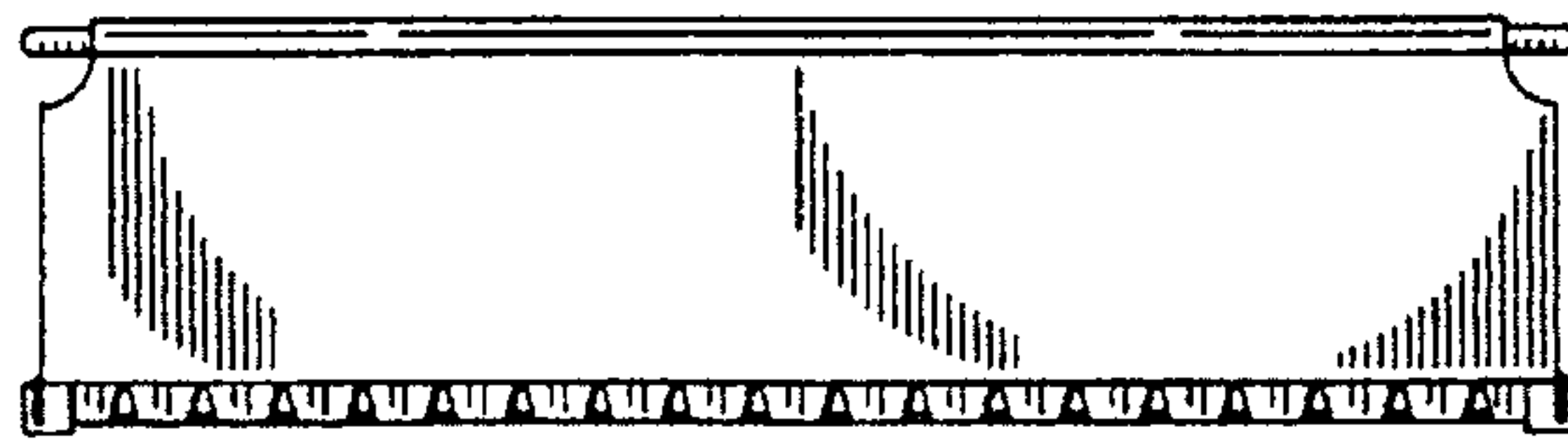


FIG. 2



FIG. 3

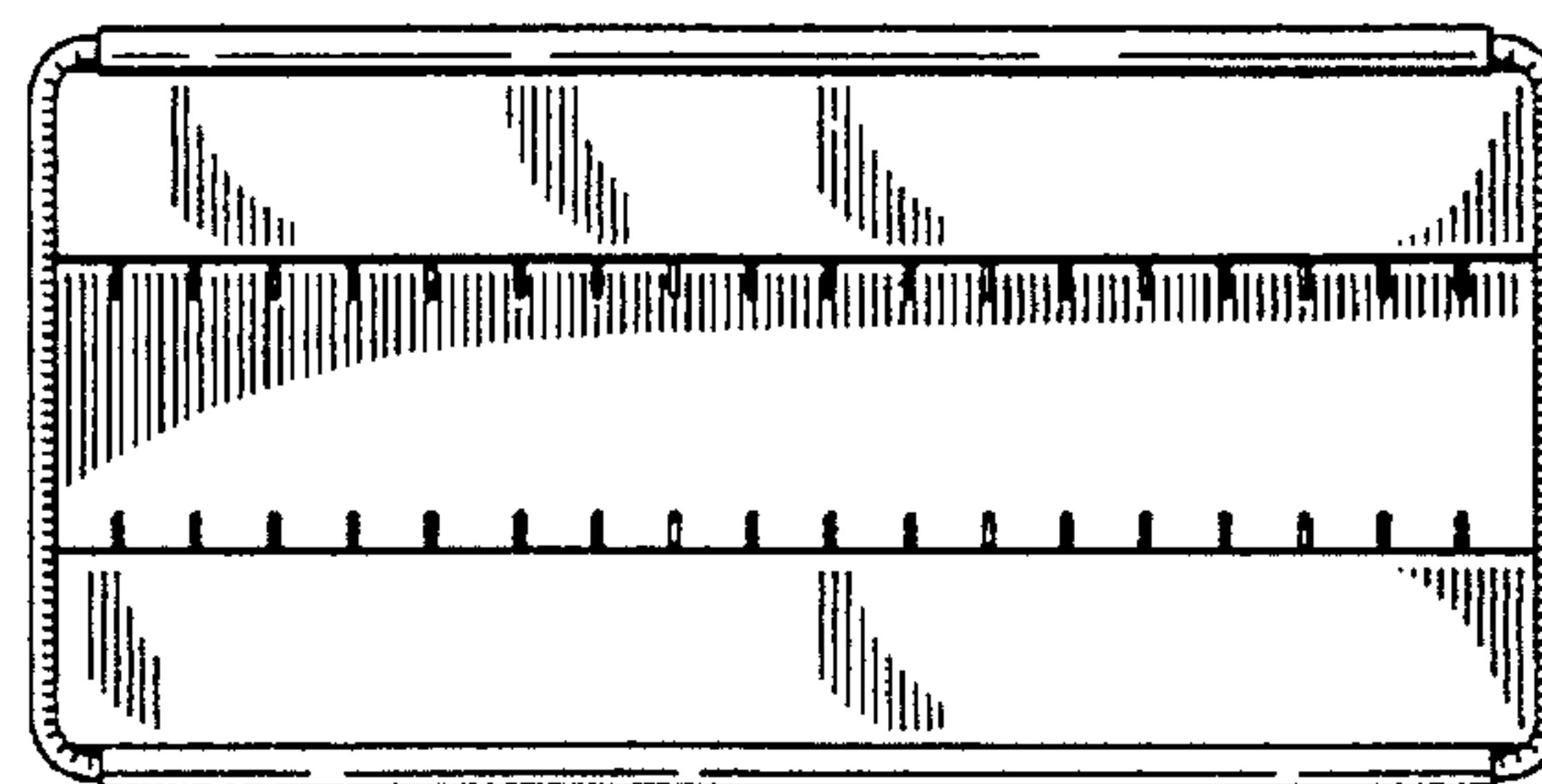


FIG. 4

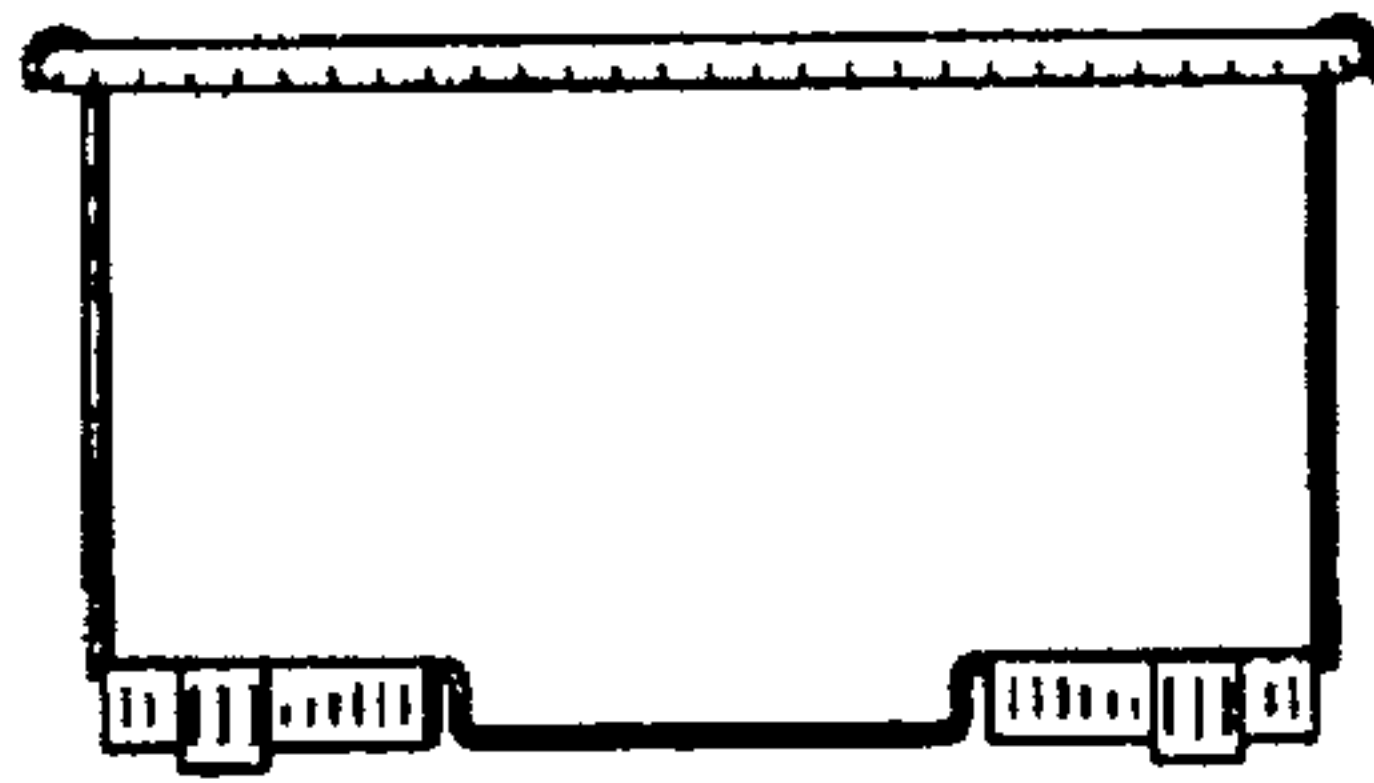


FIG. 5

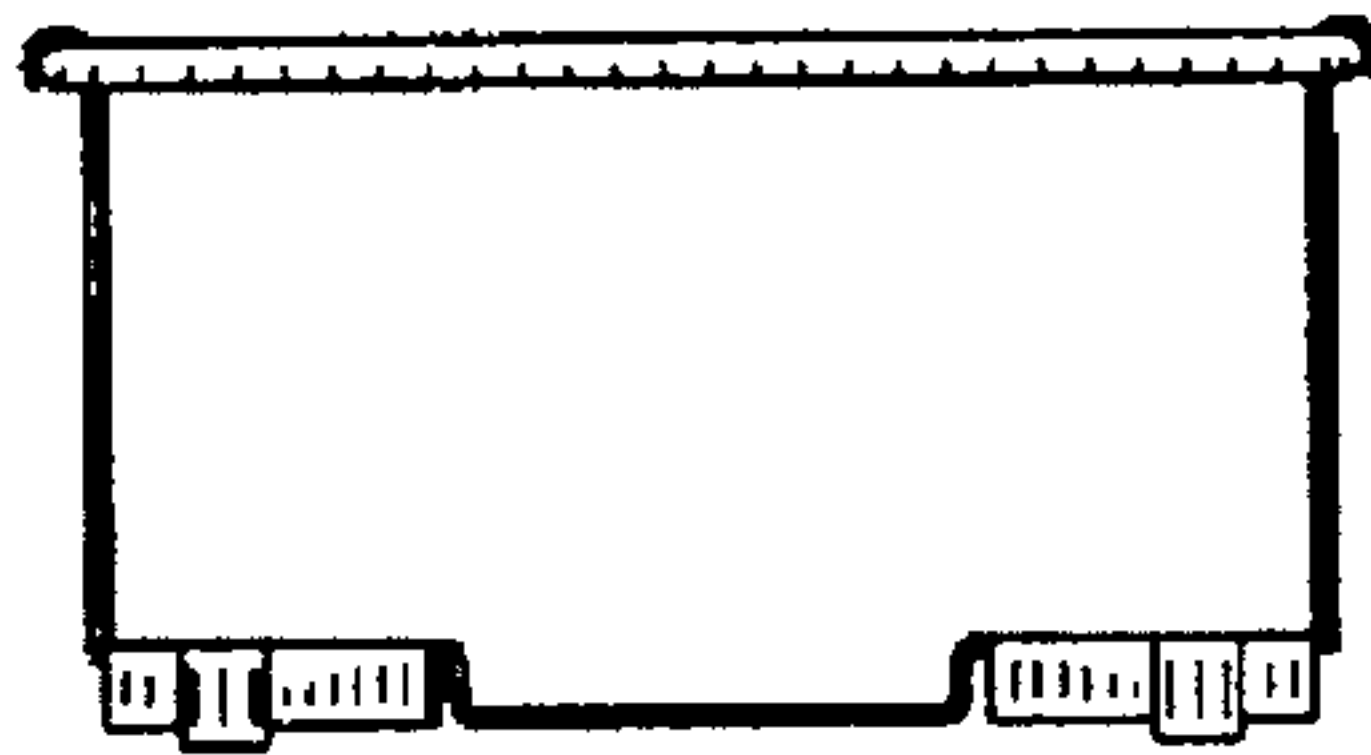


FIG. 6

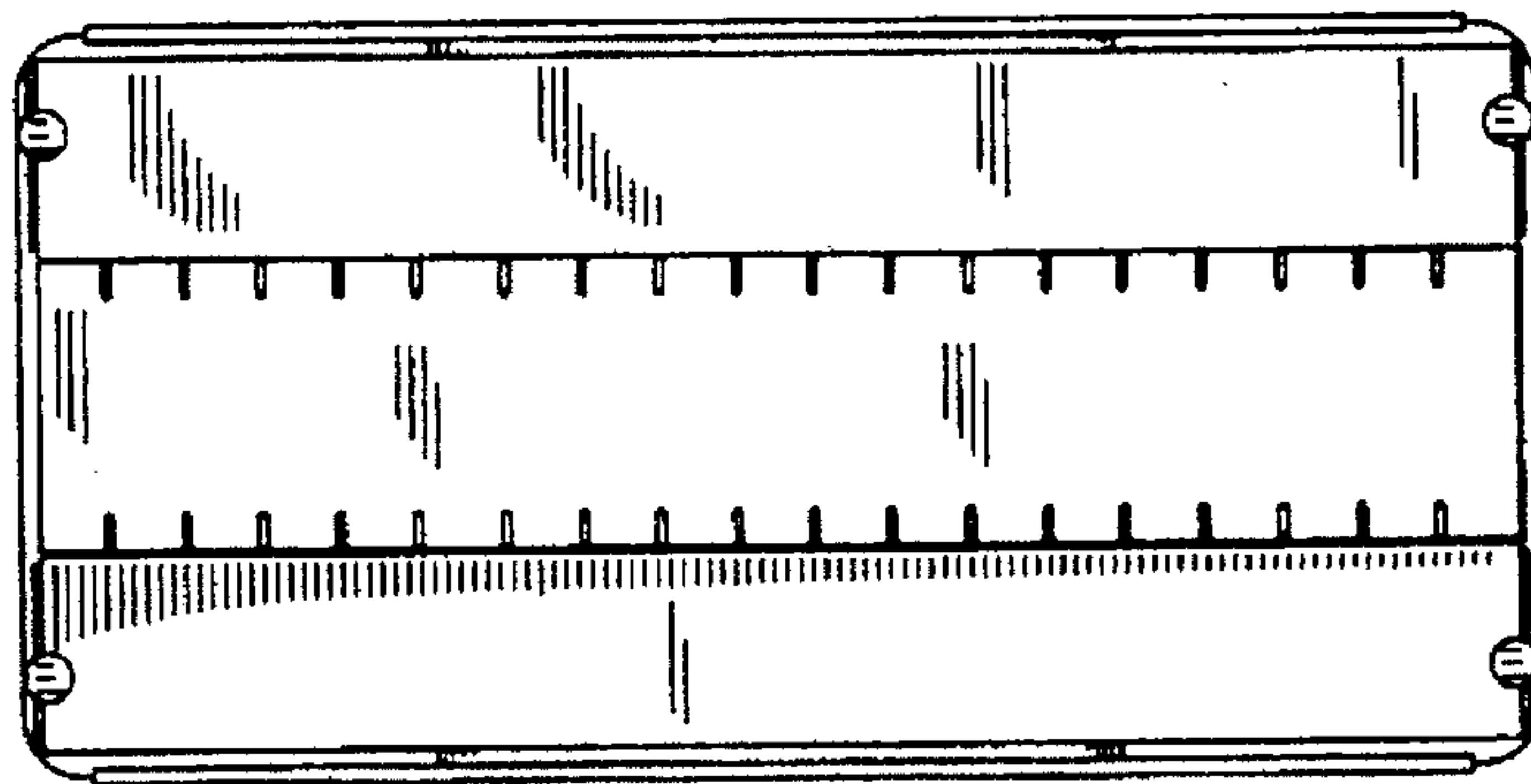


FIG. 7